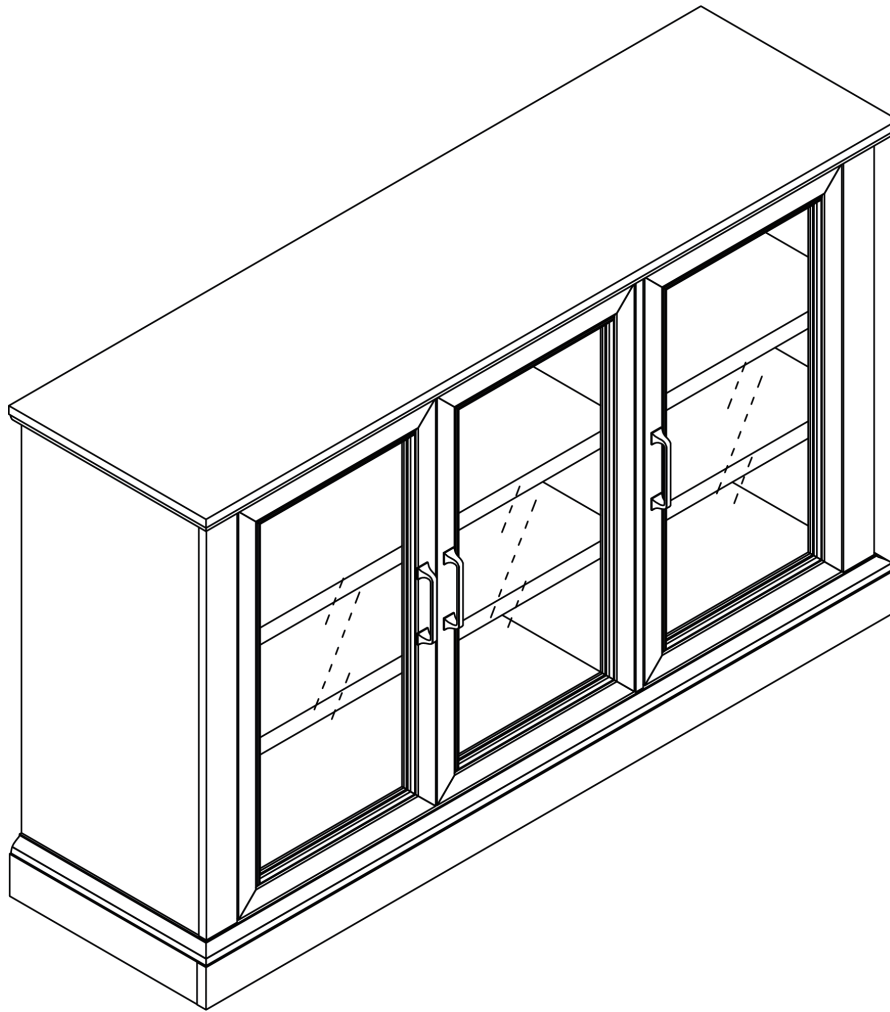


55" Sideboard



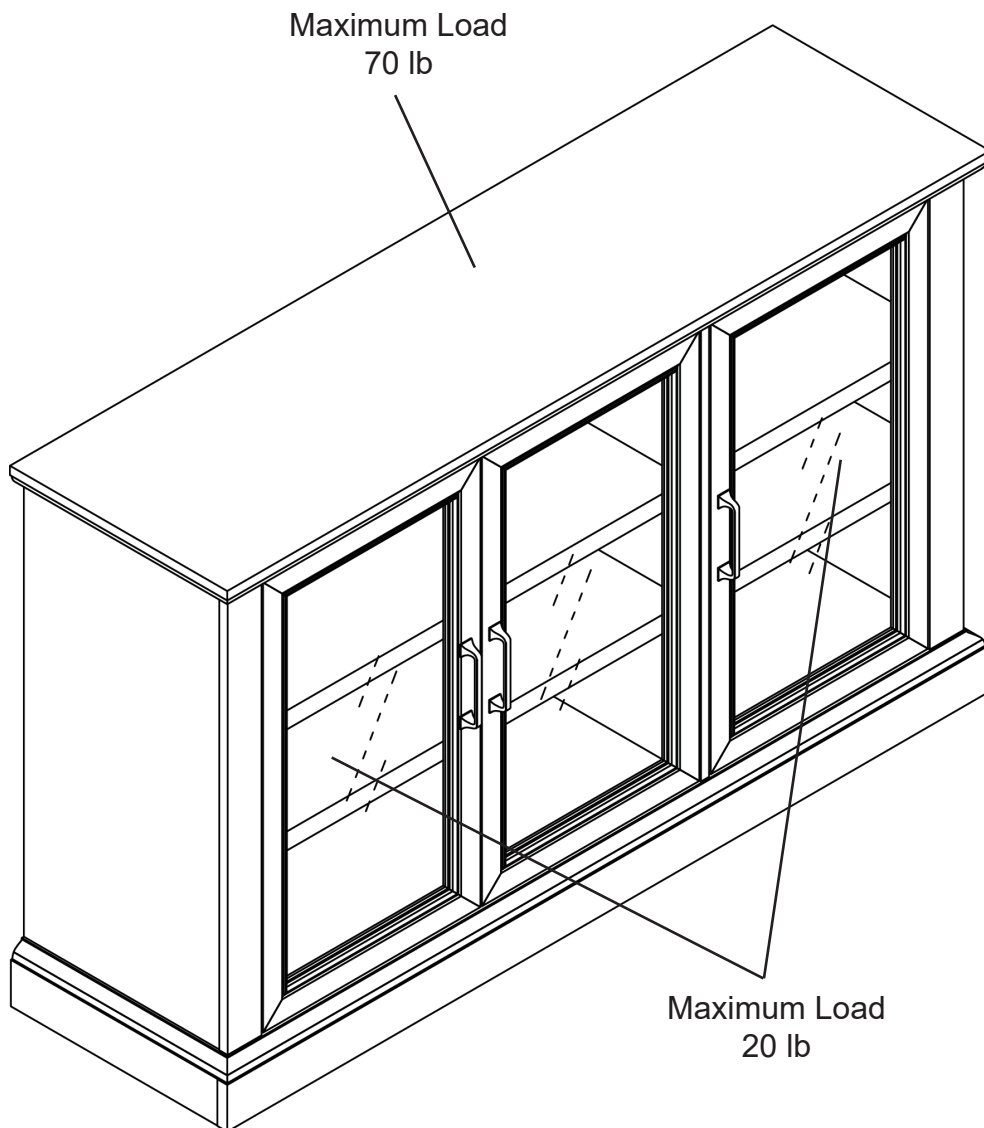


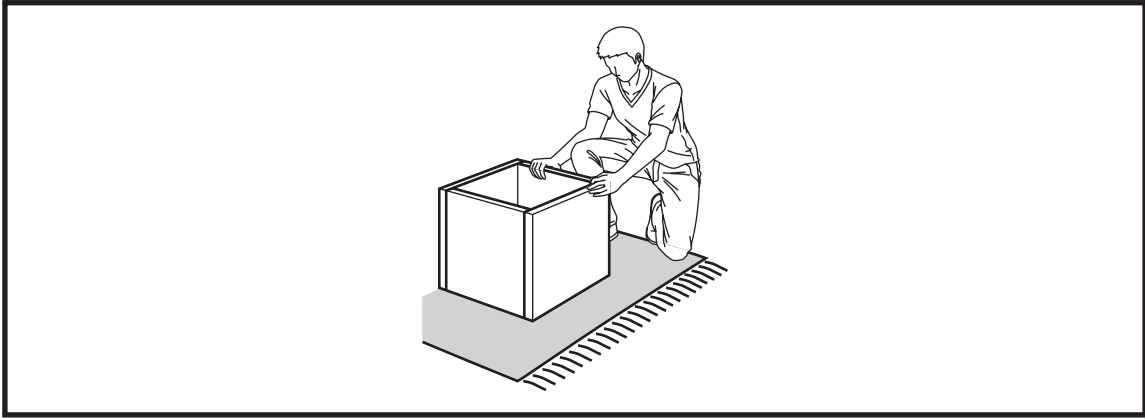
Estimated time for assembly:

60 mins



Weight limitations are as follows:

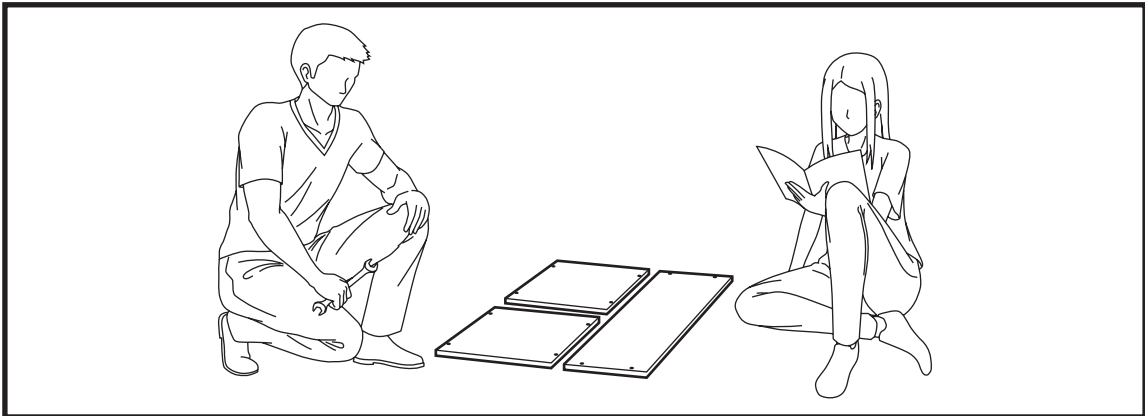




Assemble the furniture on an empty carton, carpet, or rug to prevent scratches or damage.

For safety, please keep pets and children away from the assembly area.

Ensure the product is fully assembled before use. If you are missing any hardware or products, do not use it until you have restored the missing parts.



This furniture requires 2 people for assembly.

Read this instruction manual prior to assembly to familiarize yourself with the various steps.

Lay out all components and hardware separately on a flat surface and make sure that no parts are missing or damaged before assembly. Do not destroy or discard any packaging until you are certain that you have all the necessary parts for assembly.

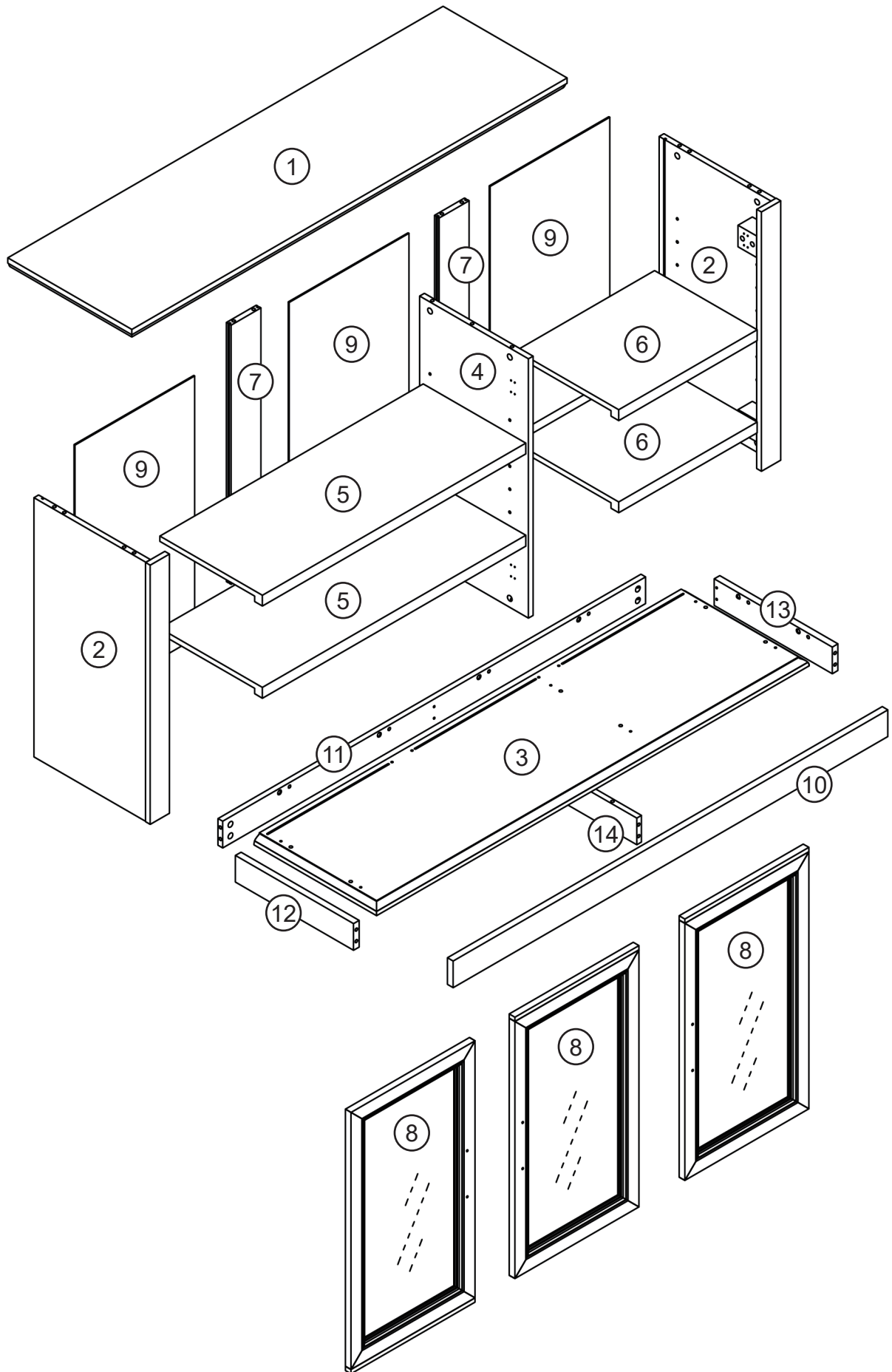
Hand tight all hardware and careful not to over tighten to avoid damaging the product.

CAUTION

There are small components used in the construction of this product. Loose items should be kept away from pets and children to avoid a choking hazard.

Keep all plastic bags and packaging film away from pets and children to avoid suffocation.

PACKAGE CONTENTS



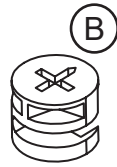
PACKAGE CONTENTS

CODE	DESCRIPTION	QTY
1	Top Panel	1
2	Side Panel	2
3	Bottom Panel	1
4	Medial Panel	1
5	Large Storage Shelf Panel	2
6	Small Storage Shelf Panel	2
7	Back Support Strip	2
8	Cabinet Door	3
9	Back Panel	3
10	Front Base Panel	1
11	Back Base Panel	1
12	Left Base Panel	1
13	Right Base Panel	1
14	Center Base Panel	1

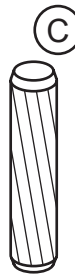
PACKAGE CONTENTS



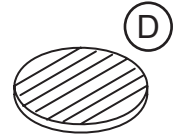
34x + 3x



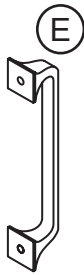
34x + 3x



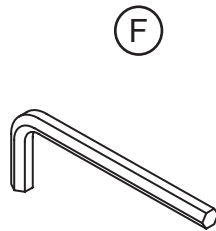
12x + 1x



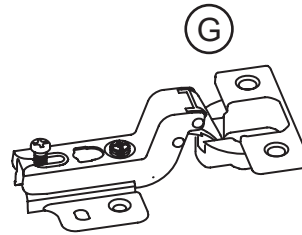
34x + 3x



3x



1x



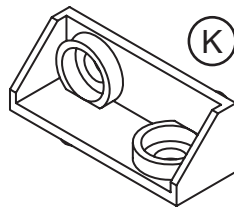
6x



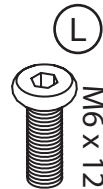
36x + 3x



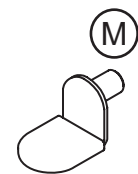
6x



12x



24x + 2x

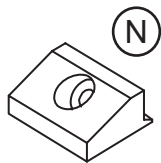


16x + 1x



Install all hardware perpendicular to the opening.

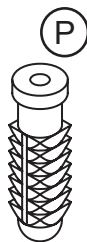
PACKAGE CONTENTS



12x + 1x



12x + 1x



2x



2x

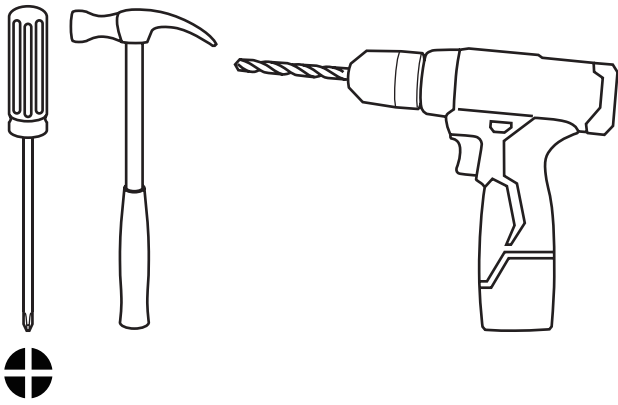


2x



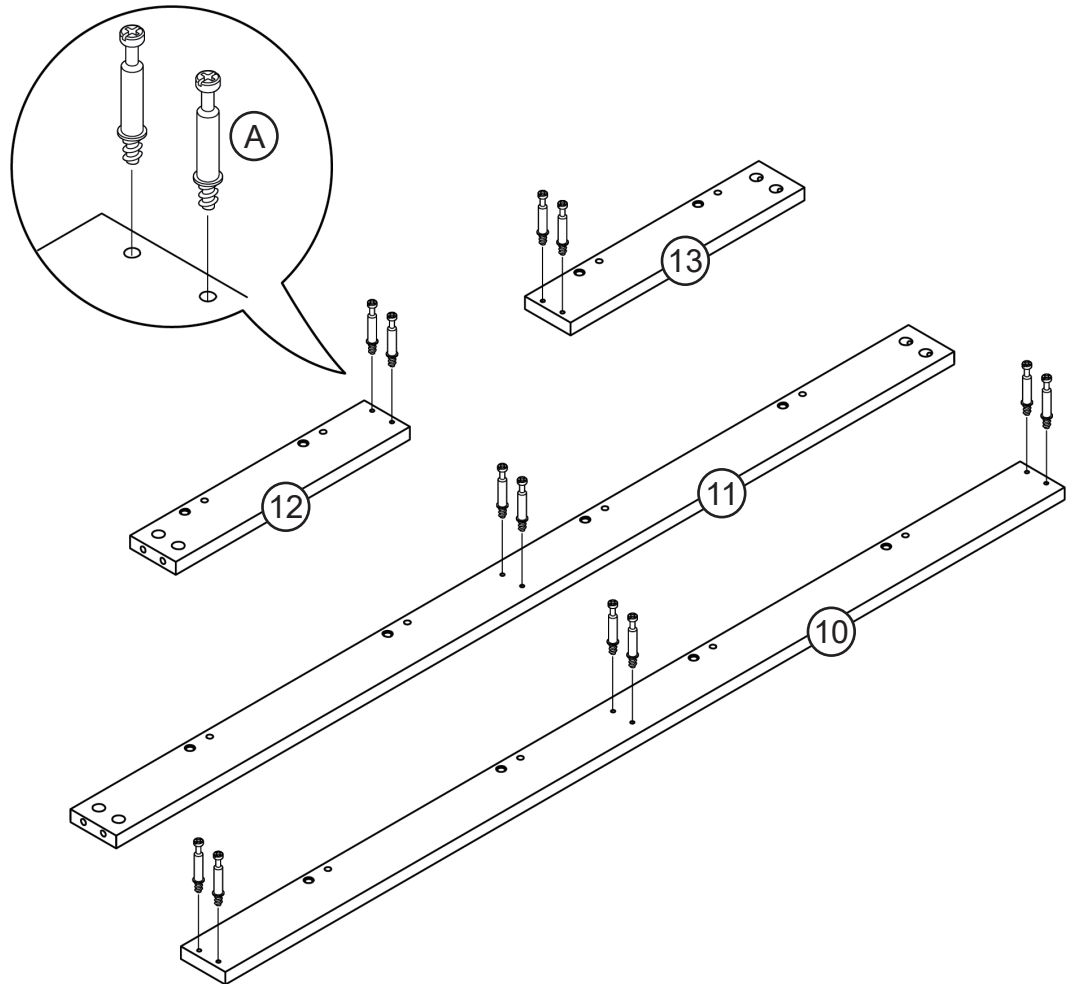
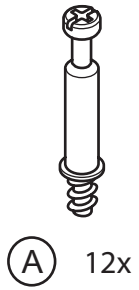
2x

Required tools for assembly (Not included)



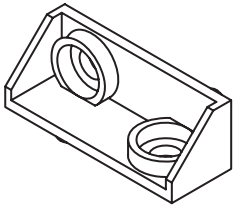
1

Insert cam bolts to the front, back, left, and right base panels (10, 11, 12, 13).

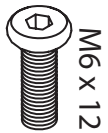


2

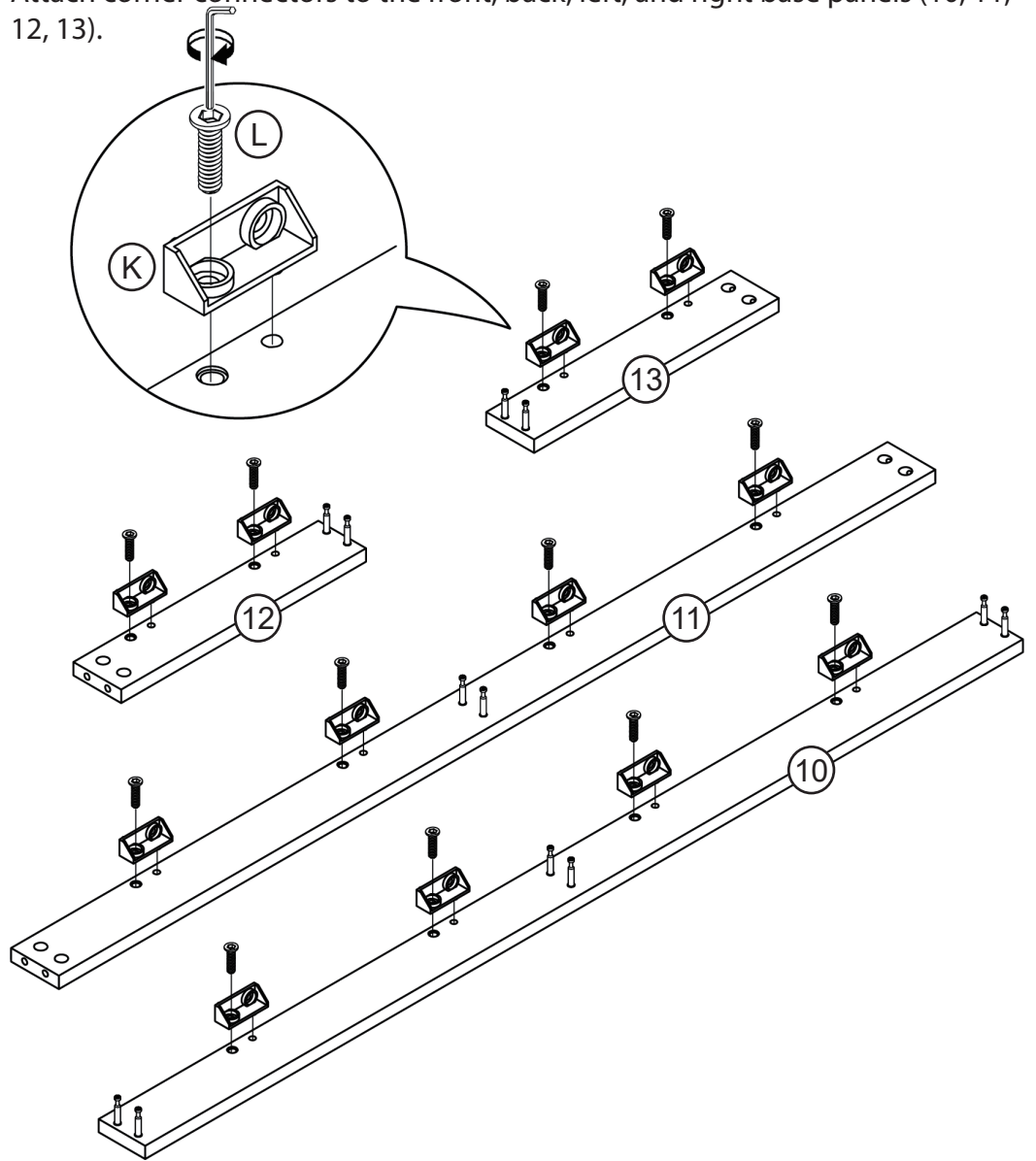
Attach corner connectors to the front, back, left, and right base panels (10, 11, 12, 13).



(K) 12x



(L) 12x
M6 x 12

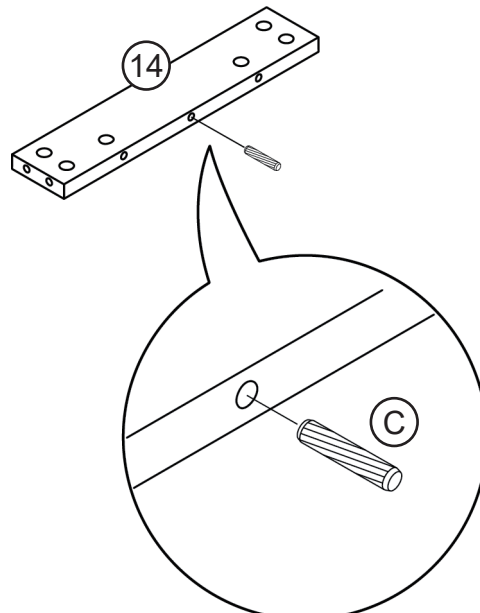


3

Insert wood dowel to the center base panel (14).

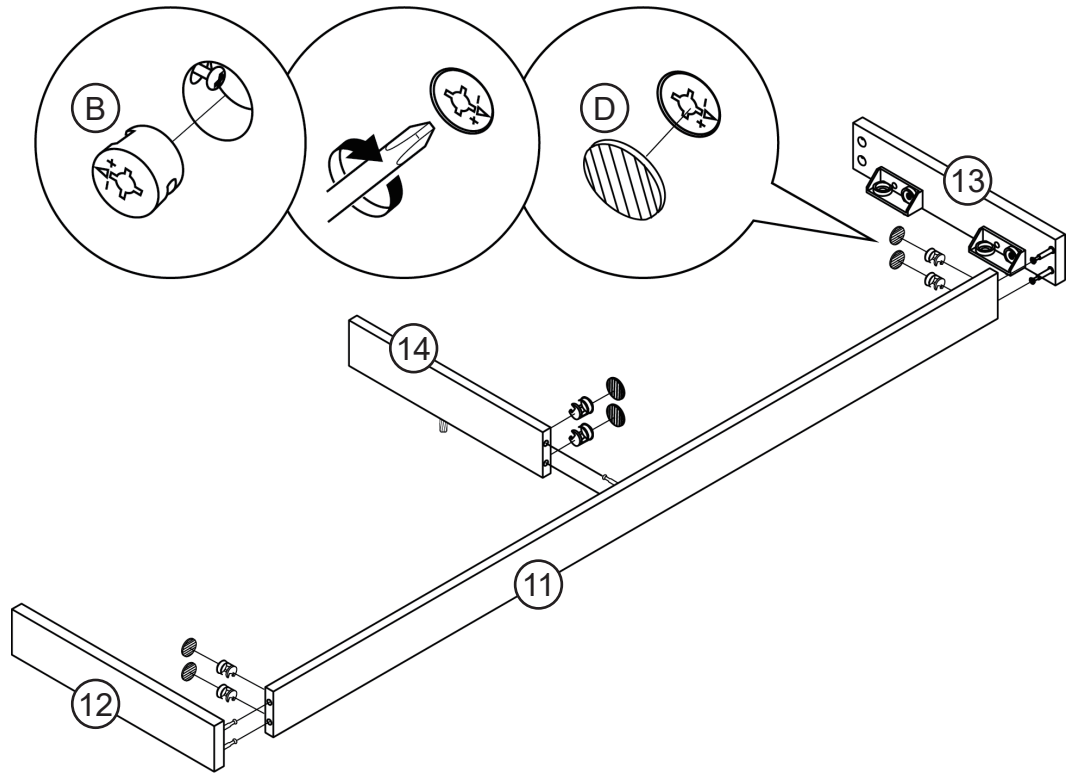
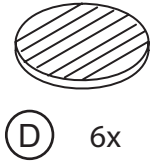


(C) 1x



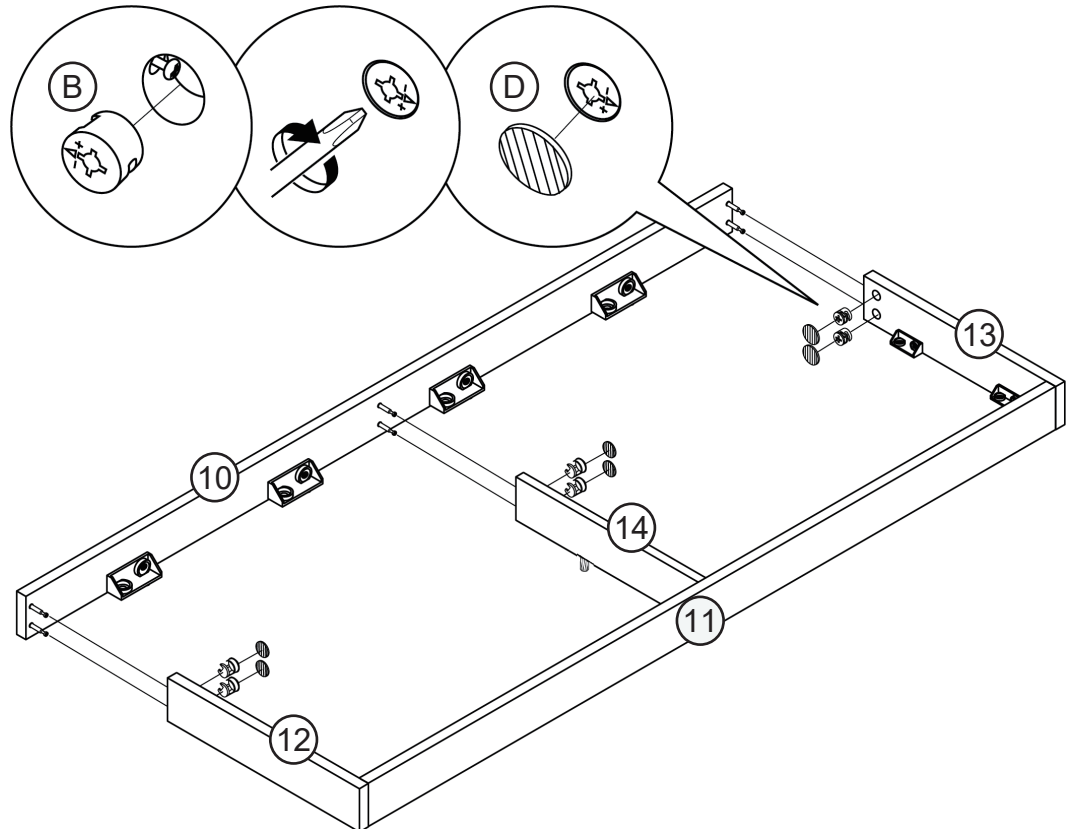
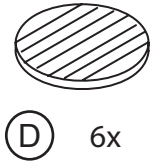
4

Assemble the left, right, and center base panels (12, 13, 14) to the back base panel (11).



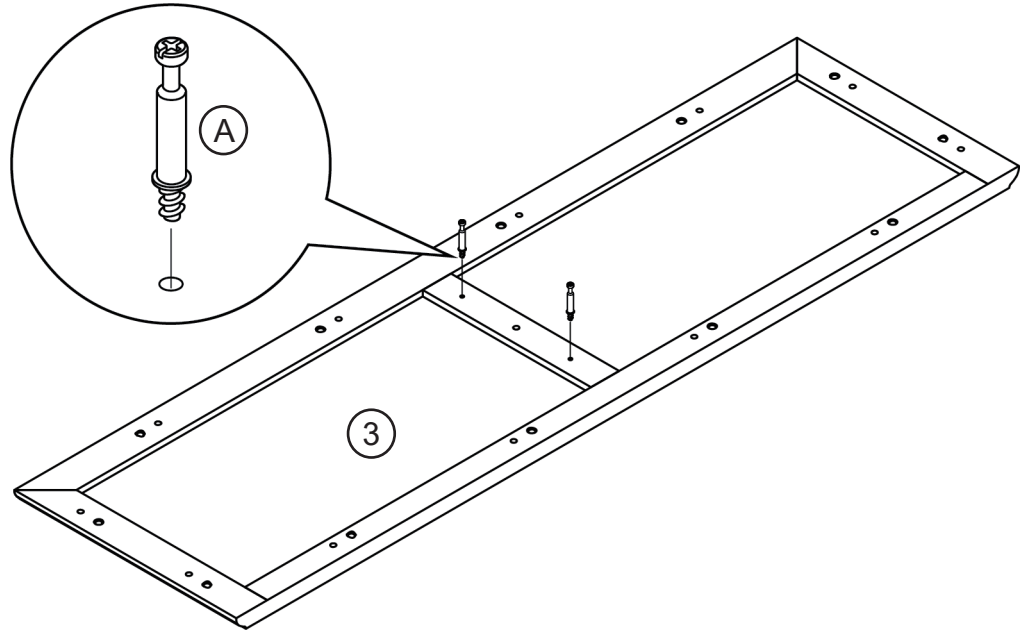
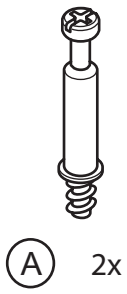
5

Assemble the front base panel (10) to the base assembly.



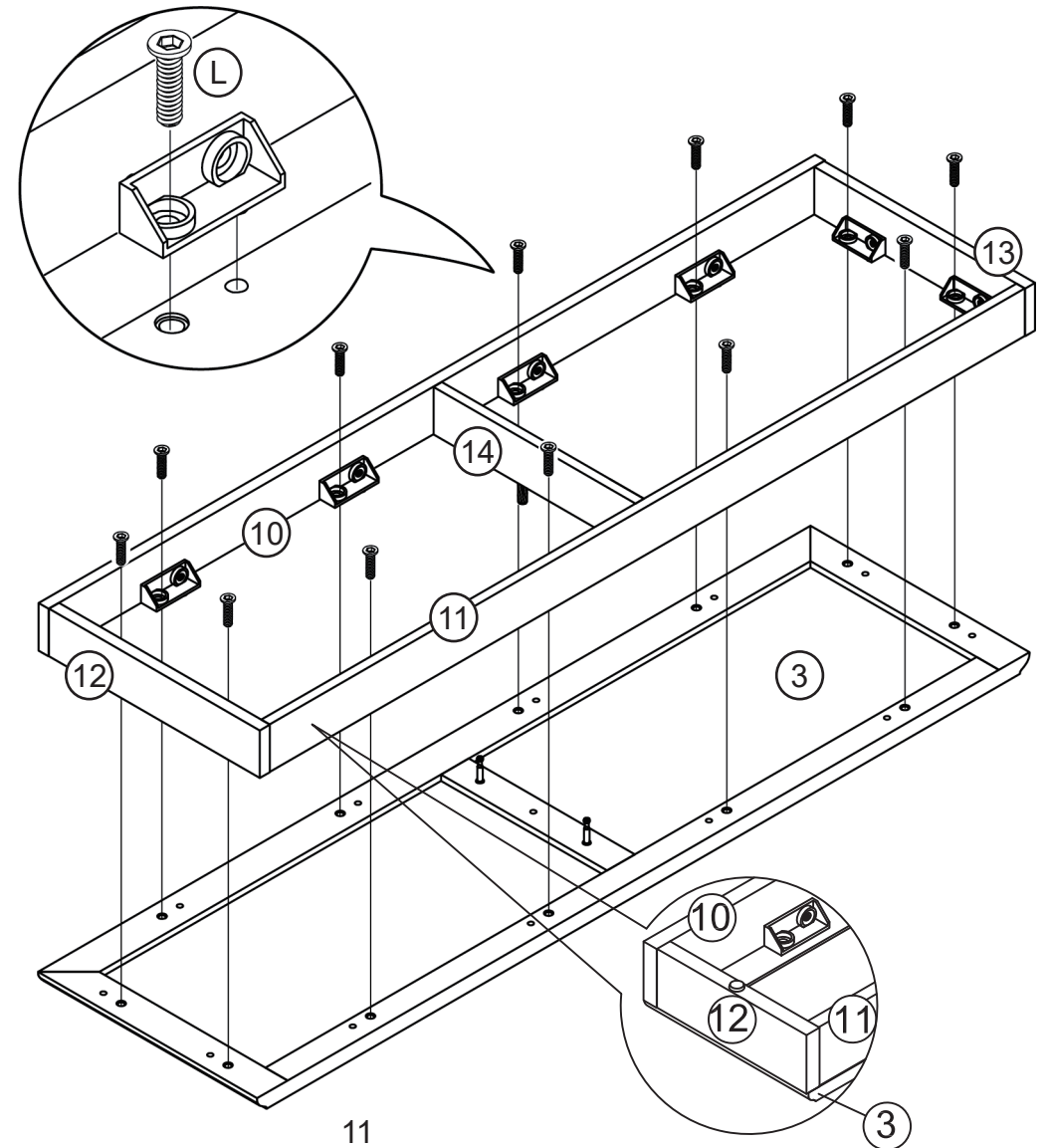
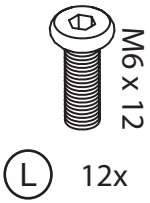
6

Attach cam bolts to the underside of the bottom panel (3).



7

Assemble the base assembly underneath the bottom panel (3).

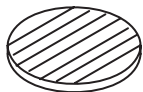


8

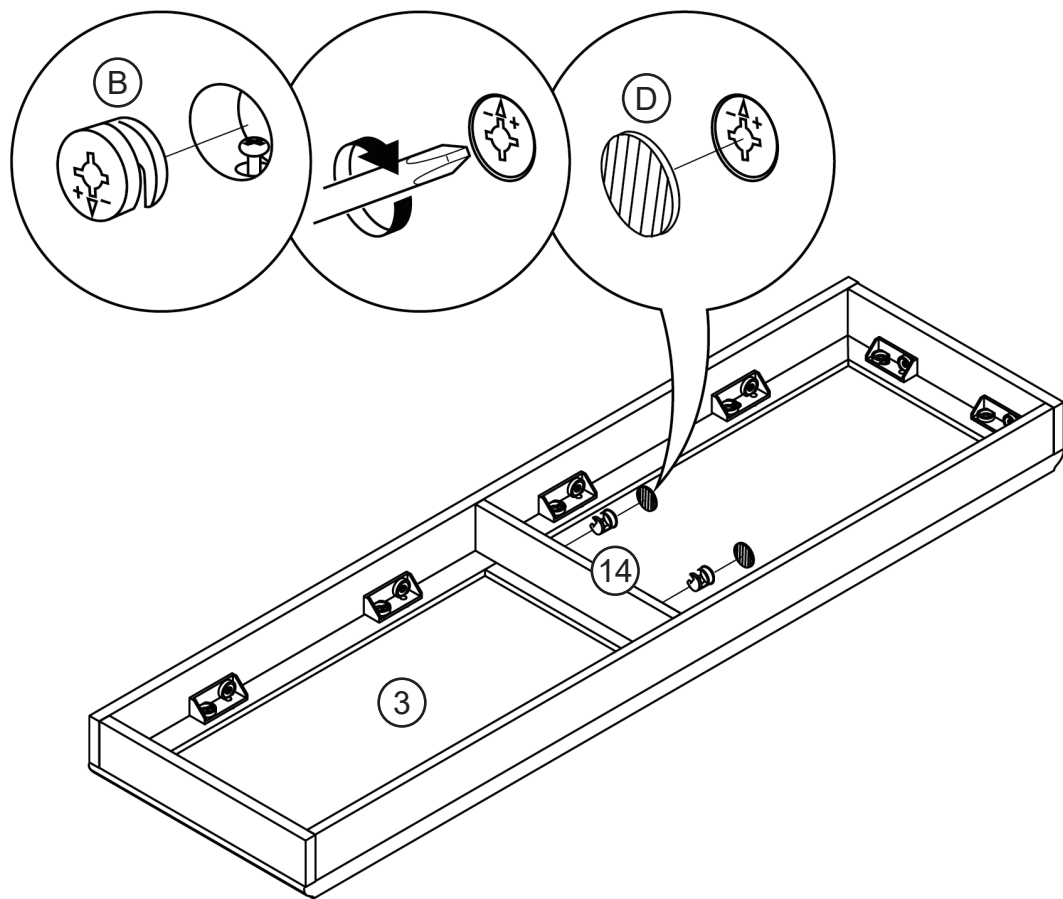
Secure the center base panel (14) to the bottom panel (3).



(B) 2x



(D) 2x

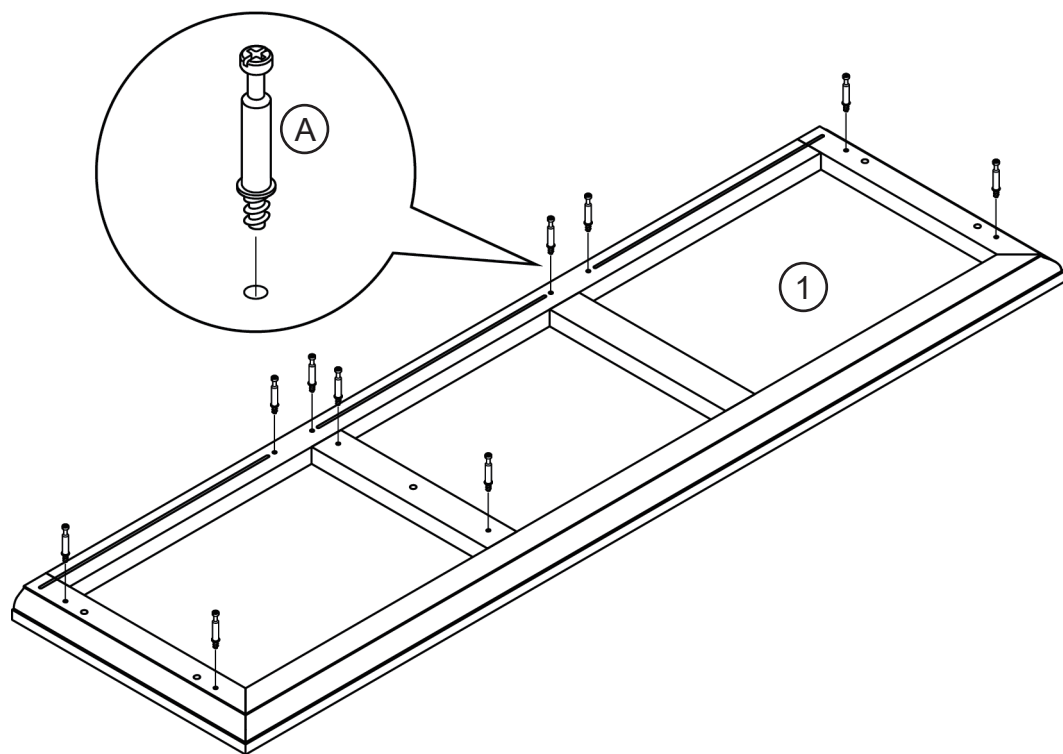


9

Attach cam bolts to the underside of the top panel (1).

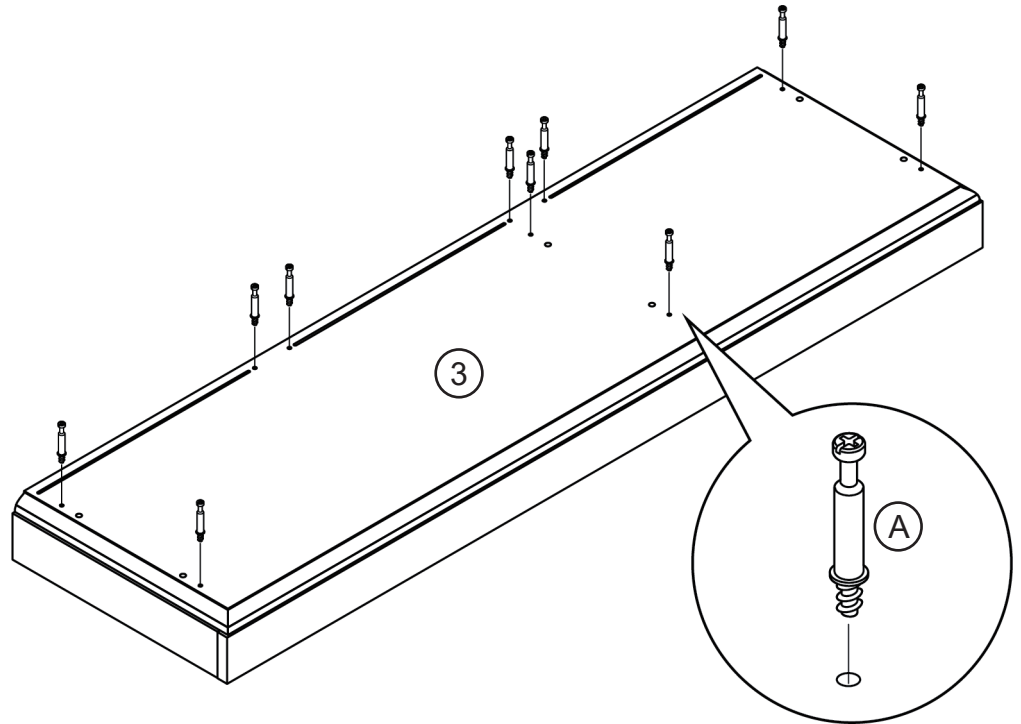
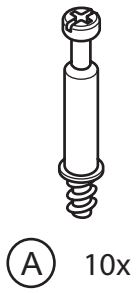


(A) 10x



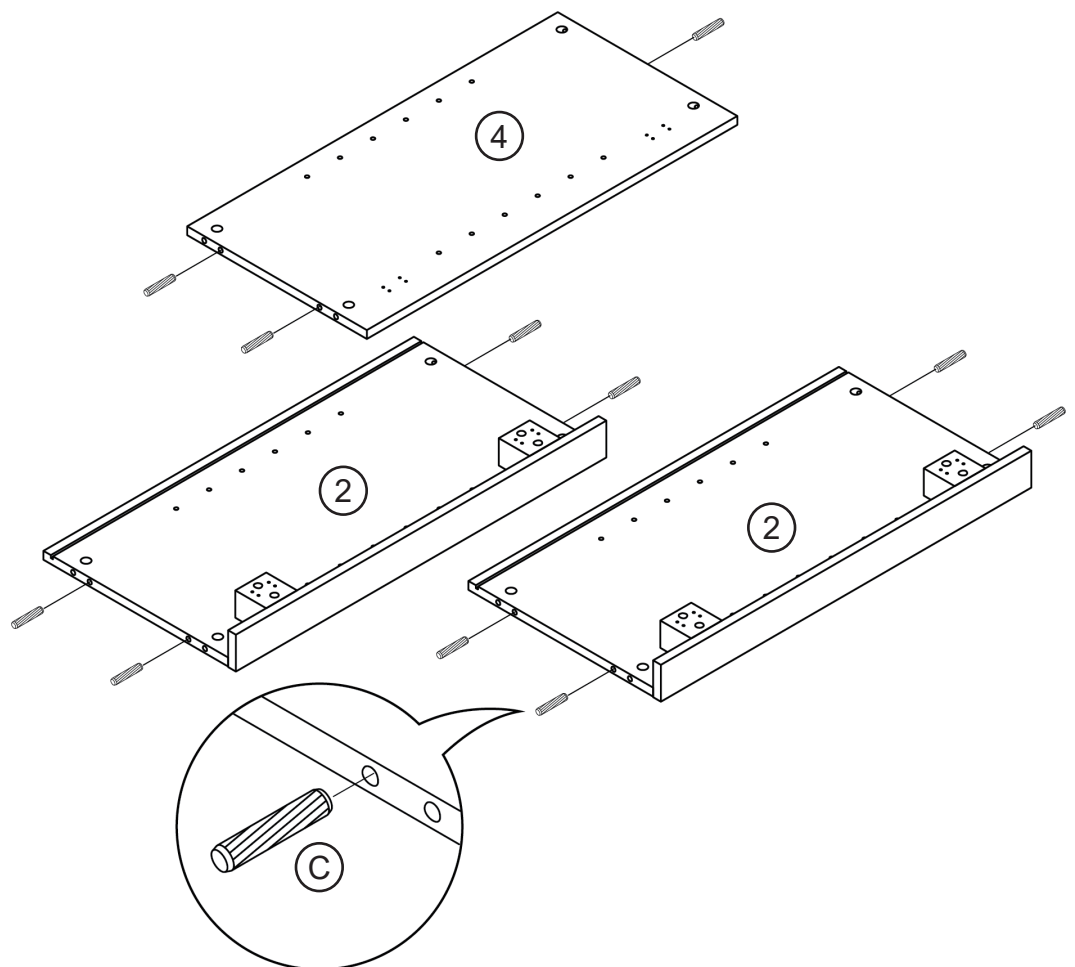
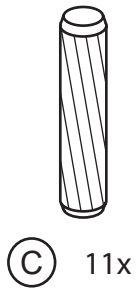
10

Attach cam bolts to the underside of the top panel (1).



11

Insert wood dowels to the side panels (2) and medial panel (4).

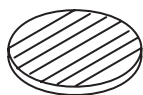


12

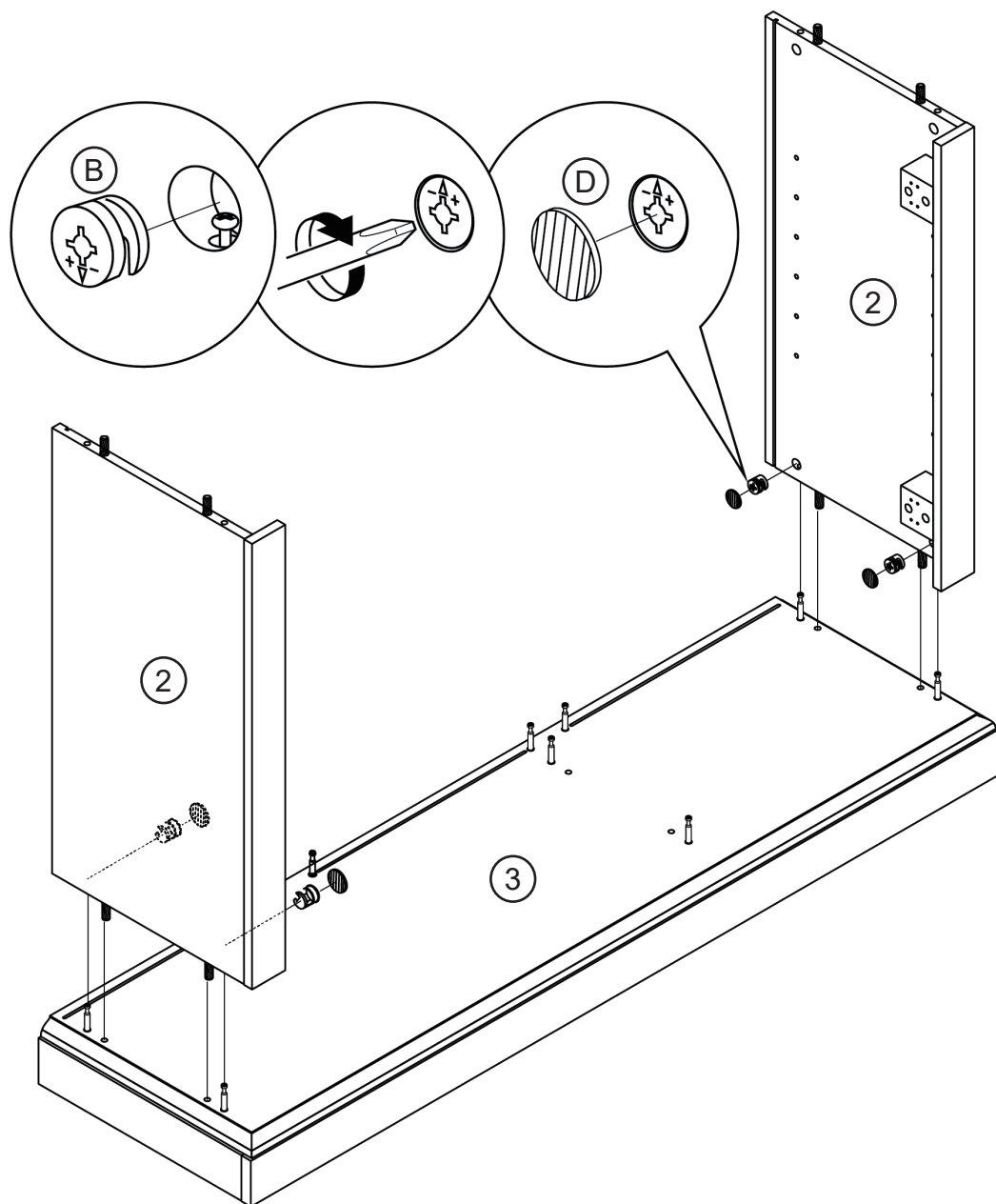
Assemble the side panels (2) to the bottom panel (3).



(B) 4x

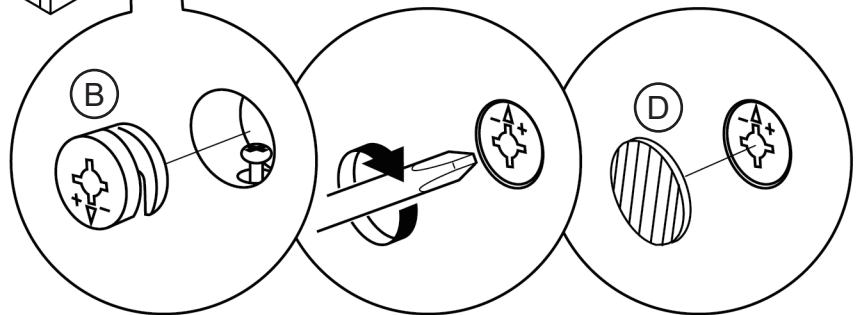
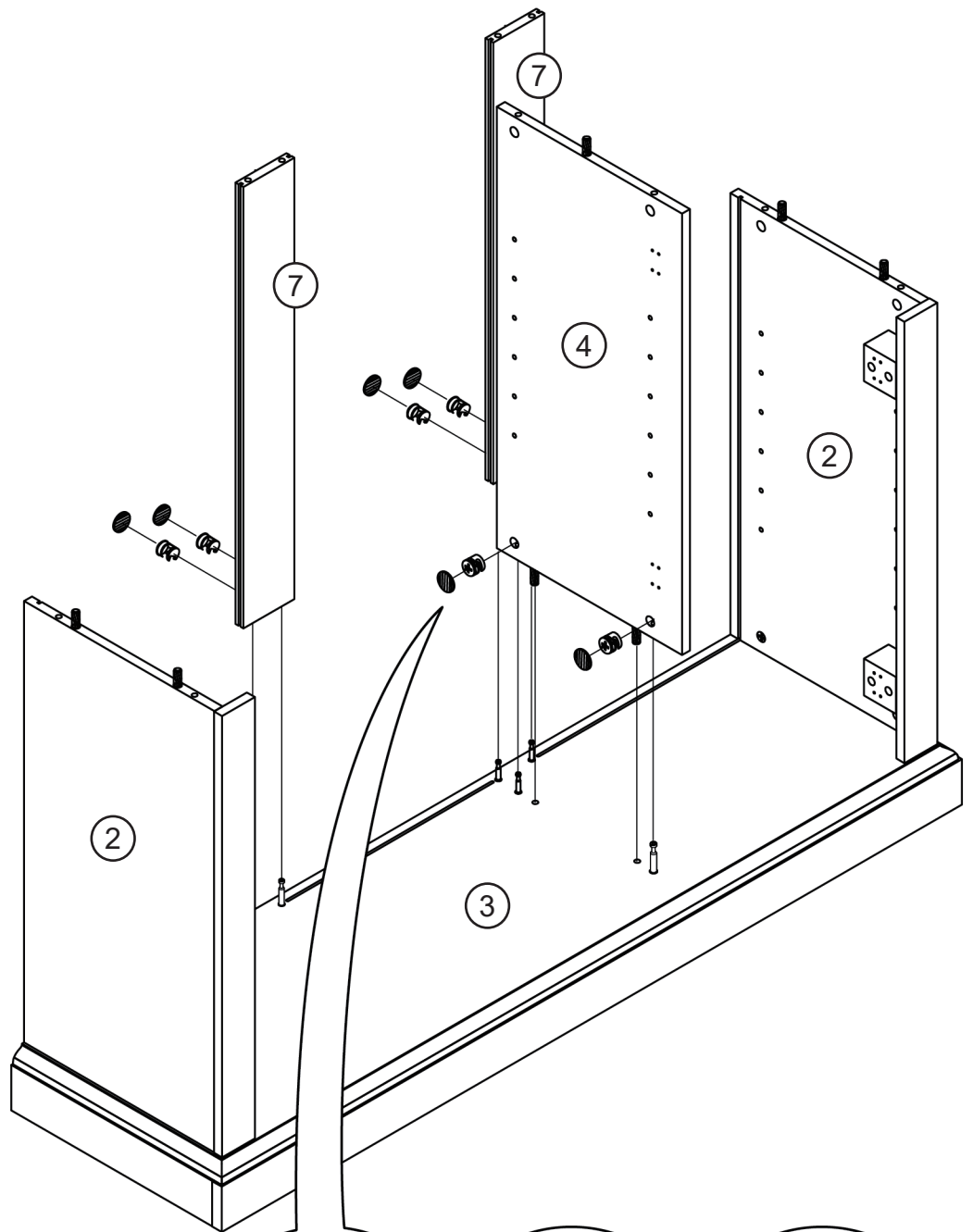
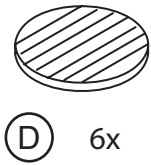


(D) 4x



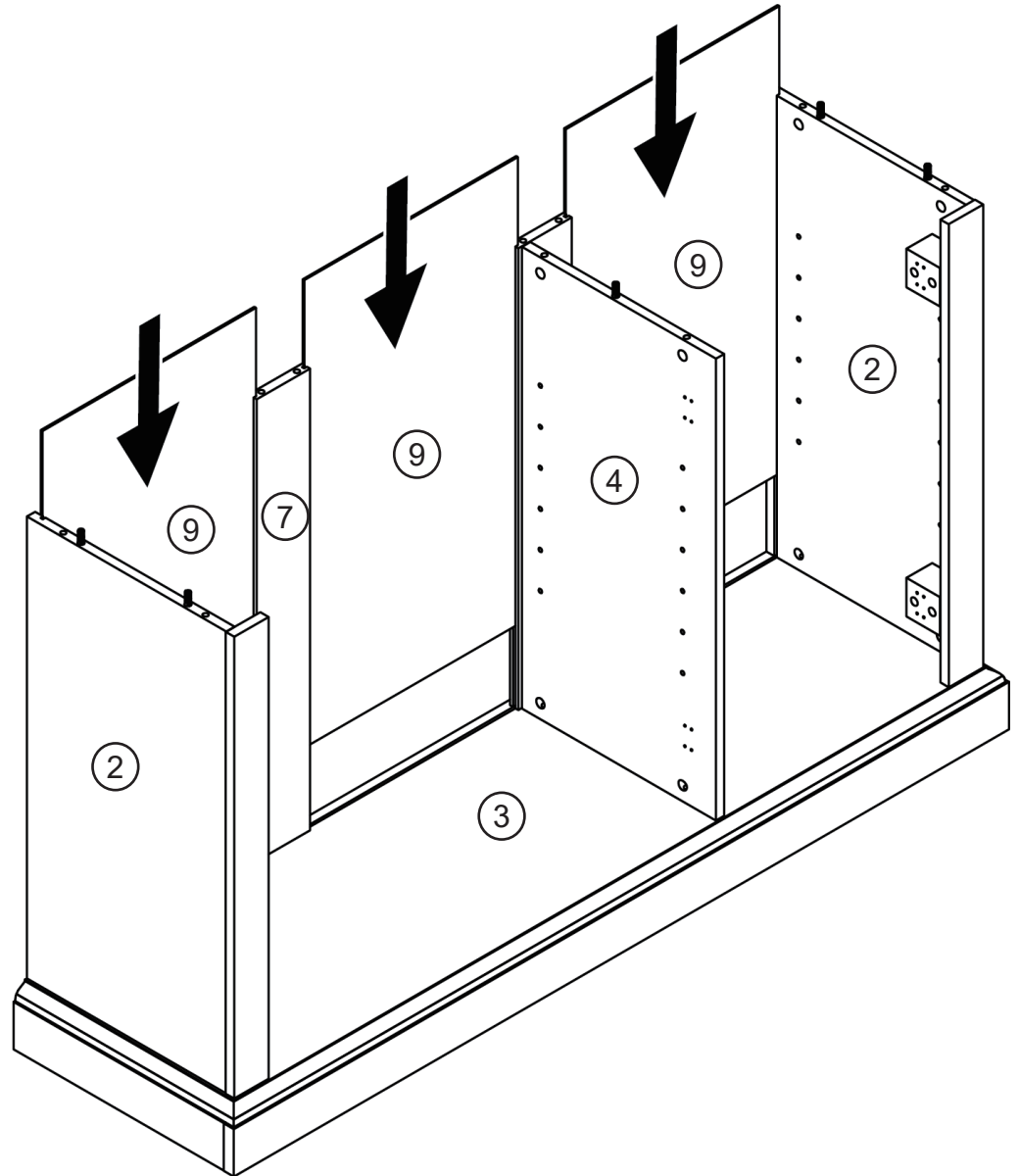
13

Assemble the medial panel (4) and the back support strips (7) to the bottom panel (3).



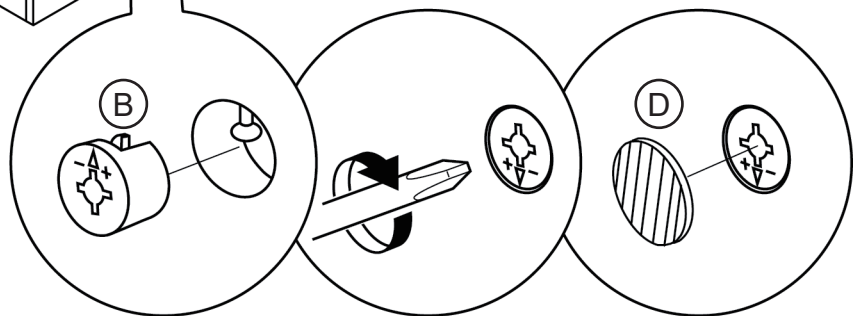
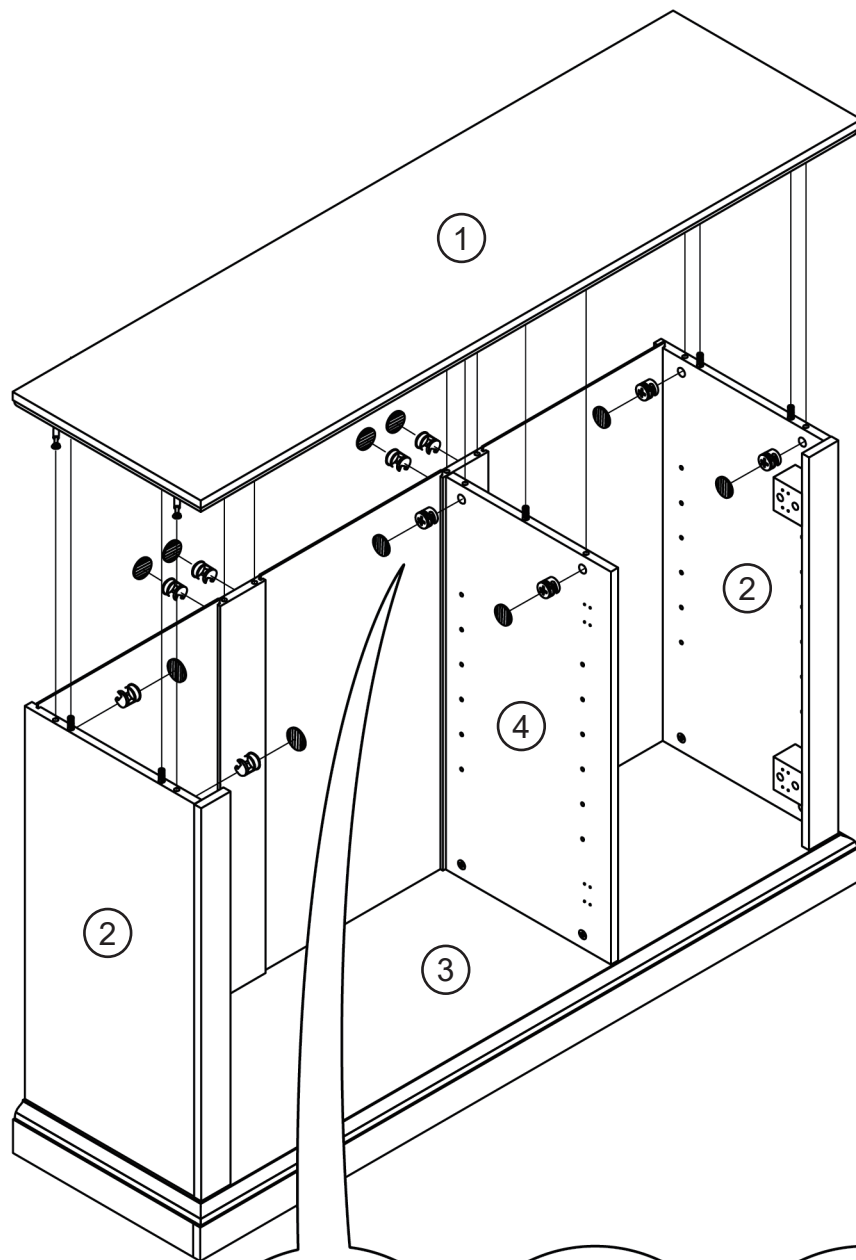
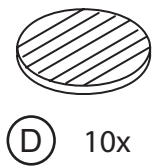
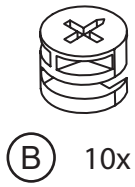
14

Slide the back panels (9) between the side panels (2) and the back support strips (7).



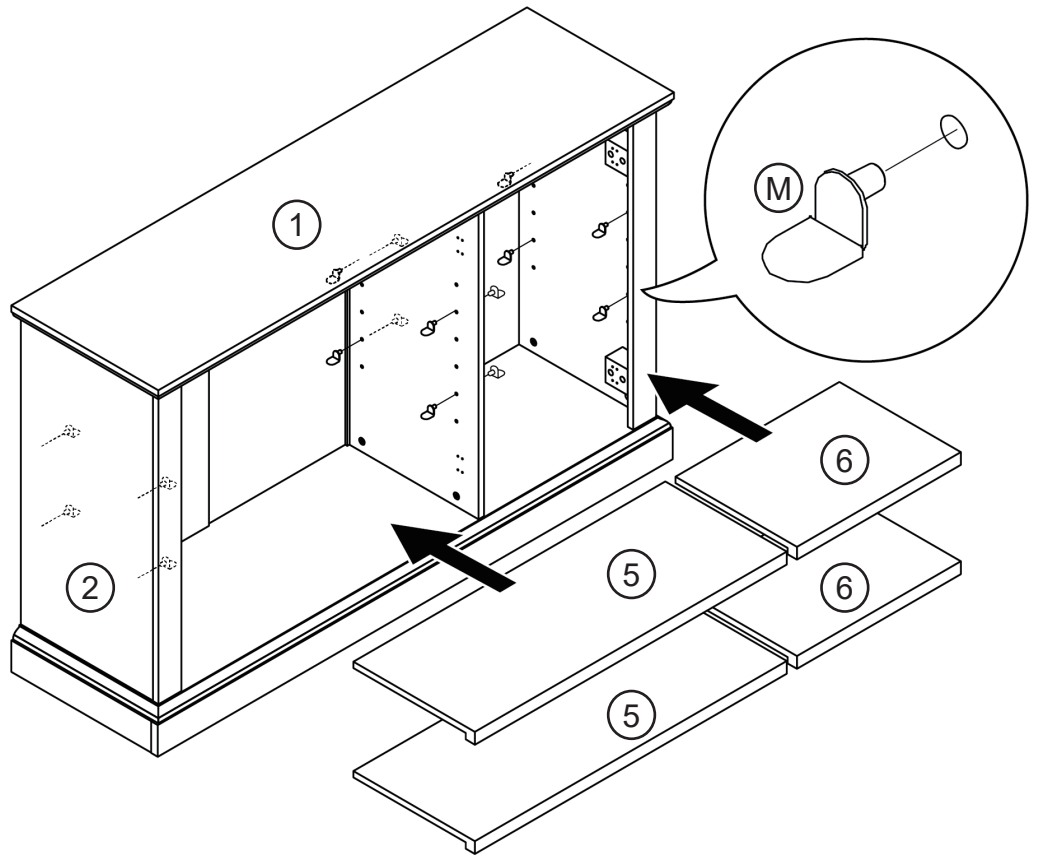
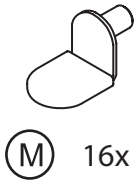
15

Assemble the top panel (1) on top of the sideboard assembly.



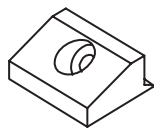
16

Insert shelf pegs into the sideboard and put on the storage shelf panels (5, 6).

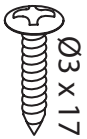


17

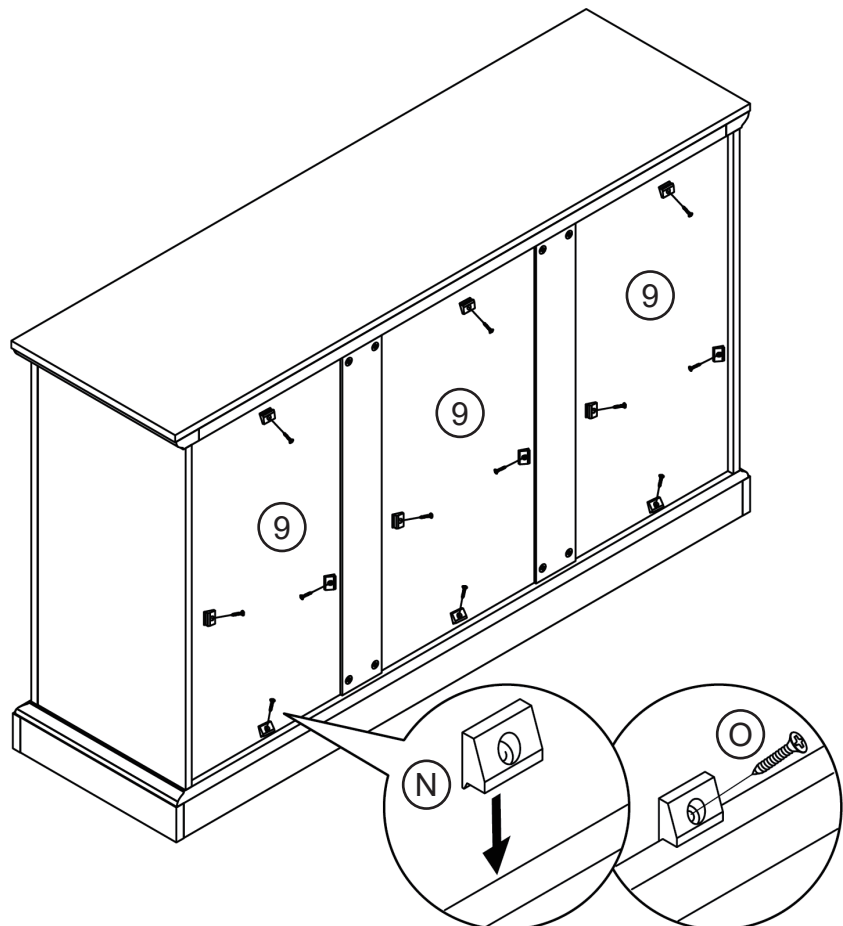
Secure the back panels in place.



(N) 12x

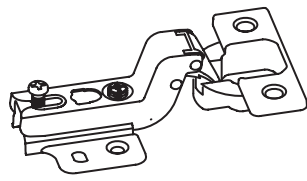


(O) 12x



18

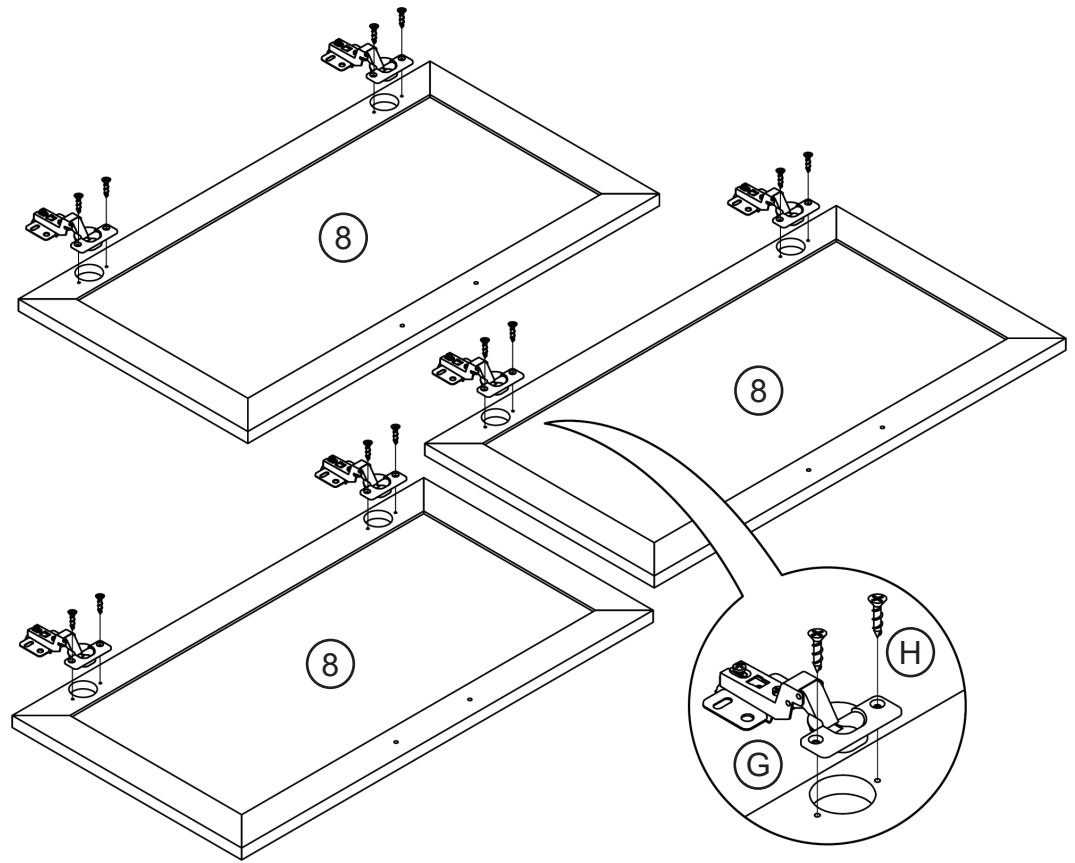
Attach door hinges to the cabinet doors (8).



(G) 6x



(H) 12x



19

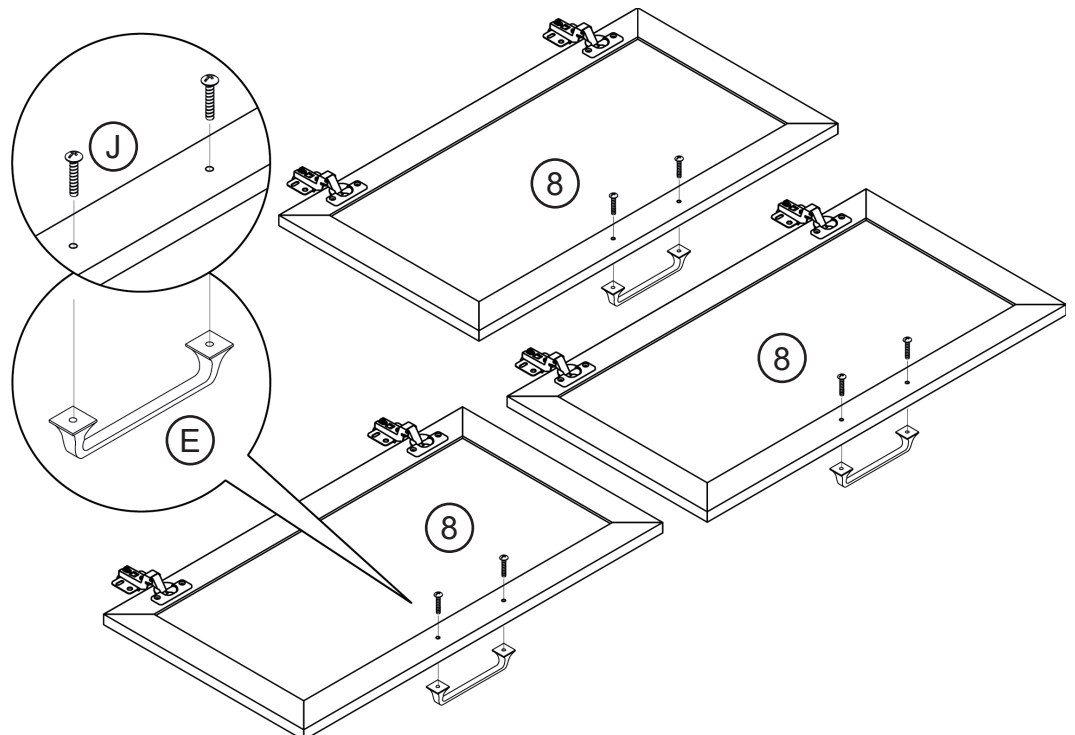
Attach door handles to the cabinet doors (8).



(E) 3x



(J) 6x

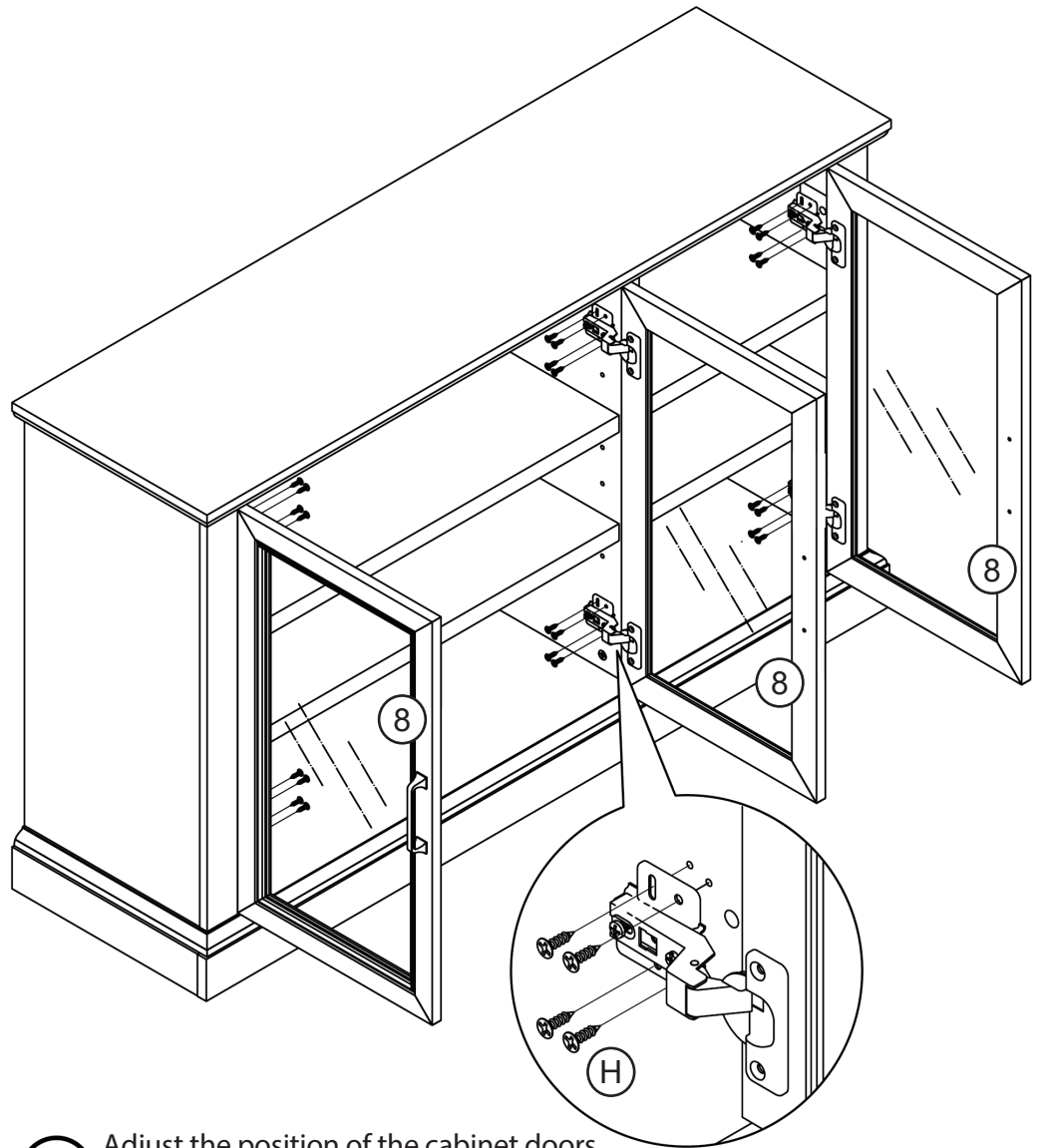


20

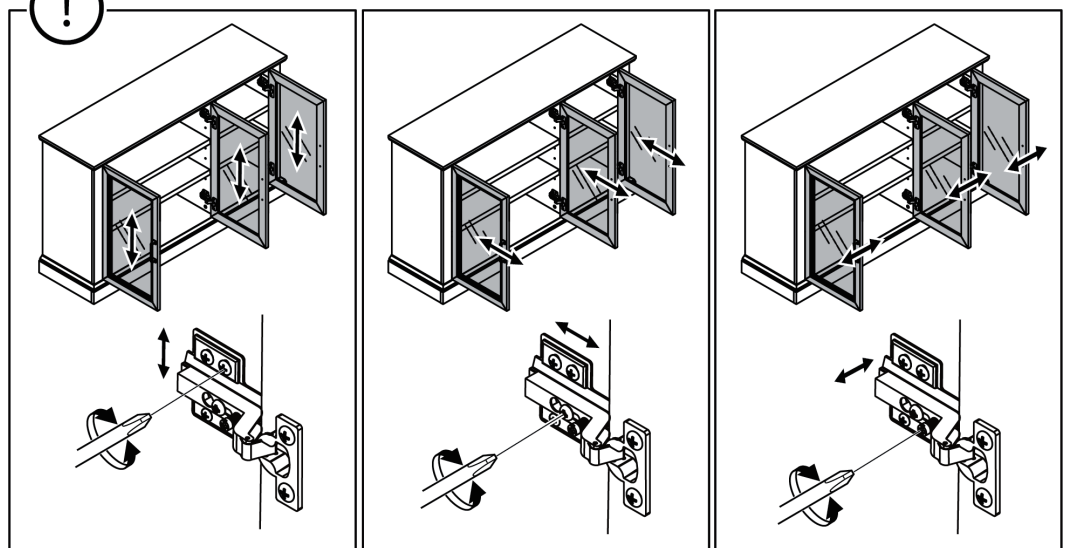
Attach the cabinet doors (8) to the sideboard.



(H) 24x



! Adjust the position of the cabinet doors.



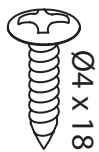
Up and down adjustment by loosening the screws on the mounting plate.

In and out adjustment by loosening the screws on the hinge arm.

Side to side adjustment using the front adjustment screw on the hinge.

21

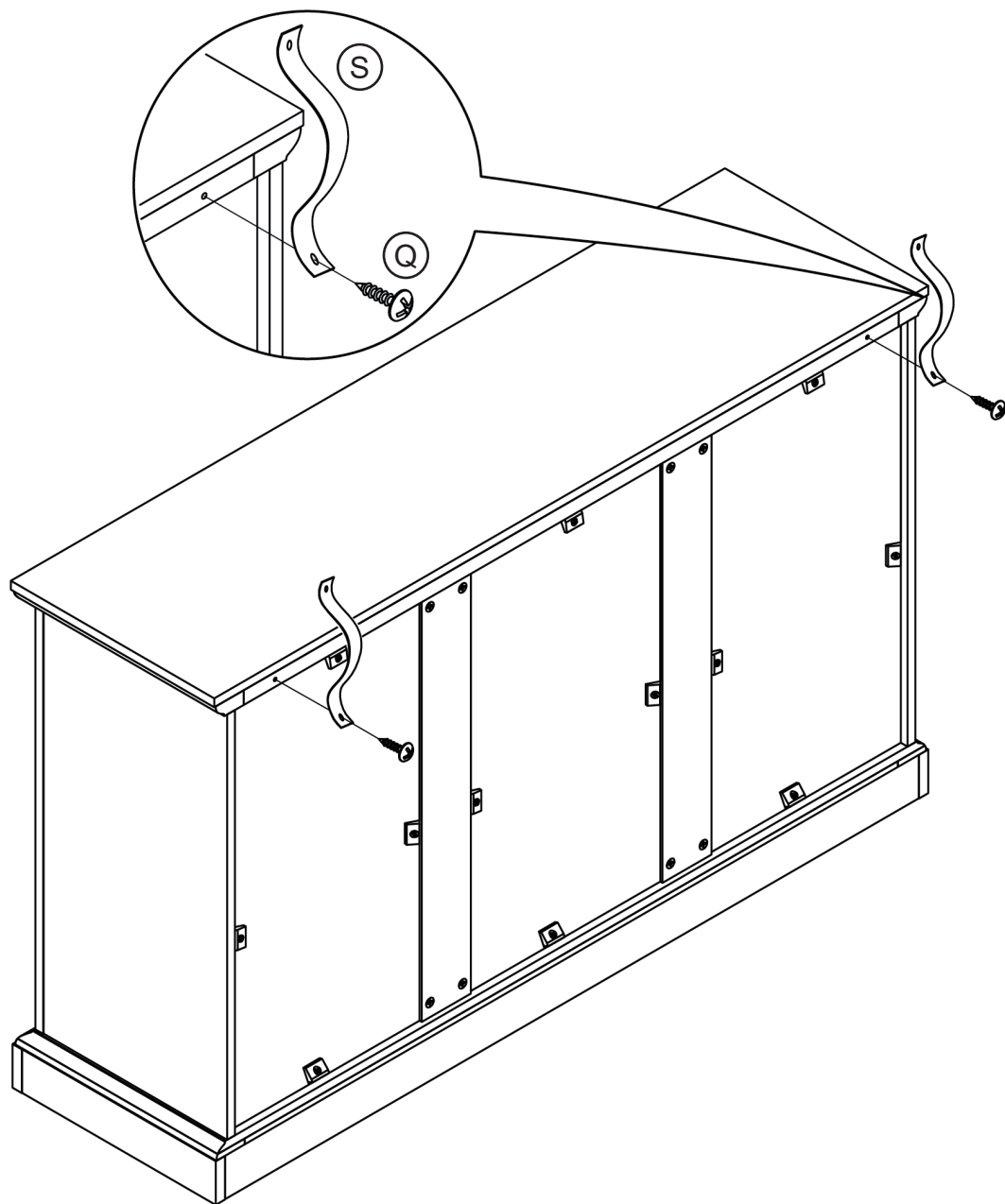
Attach anti-tipping straps to the back of the sideboard.



Q 2x



S 2x

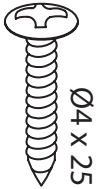


22

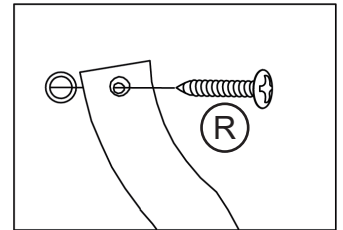
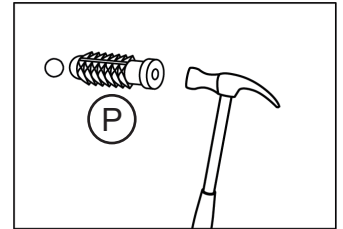
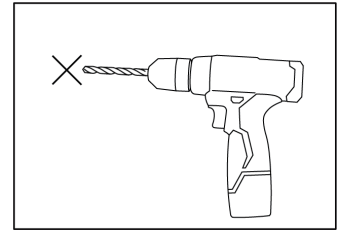
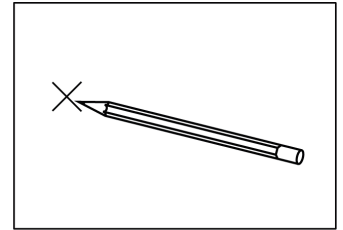
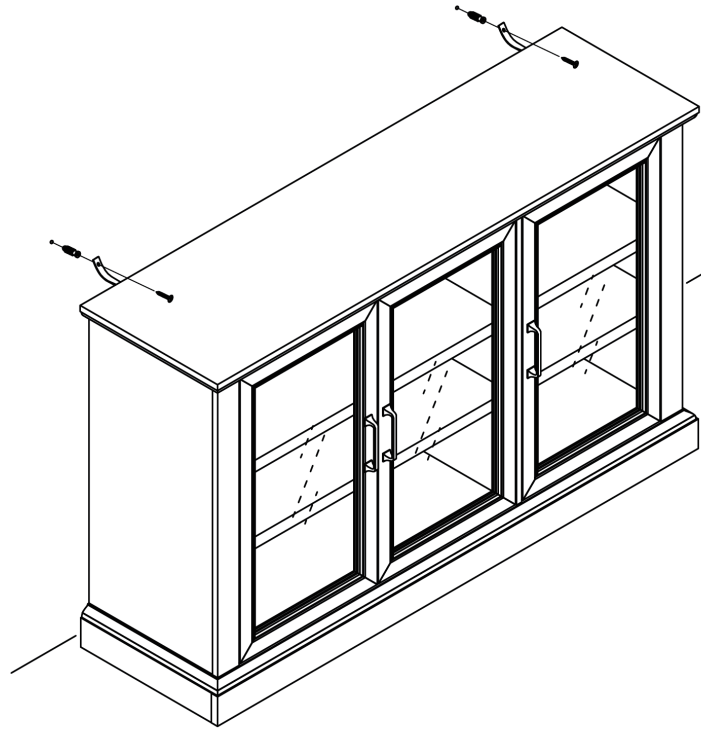
Affix the sideboard to a wall.



(P) 2x



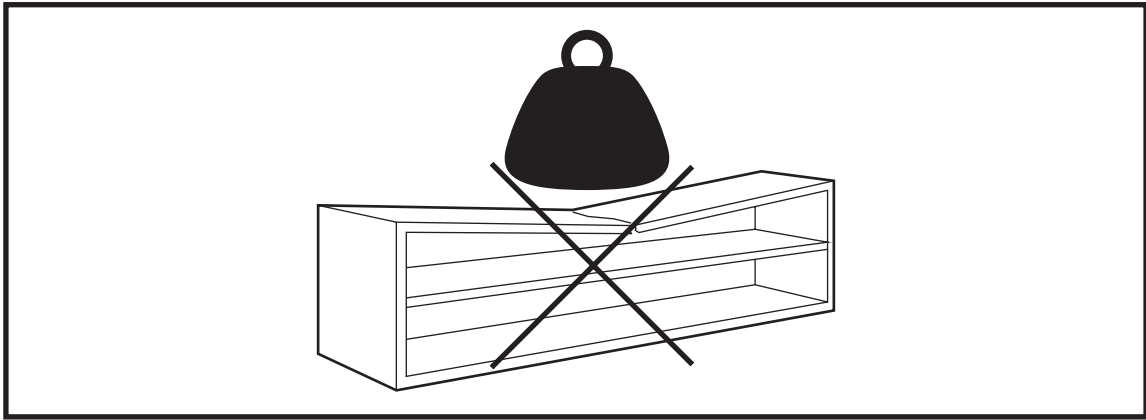
(R) 2x



Furniture must permanently fixed to the wall stud with included anti-tipping device to prevent the furniture from tipping over.

- Mark the drill position on the wall with a pencil.
- Drill a small hole on the marked position.
- Insert a wall anchor into the drilled hole.
- Fixed the anti-tipping strap to the wall with provided screws.

YOU'RE FINISHED!

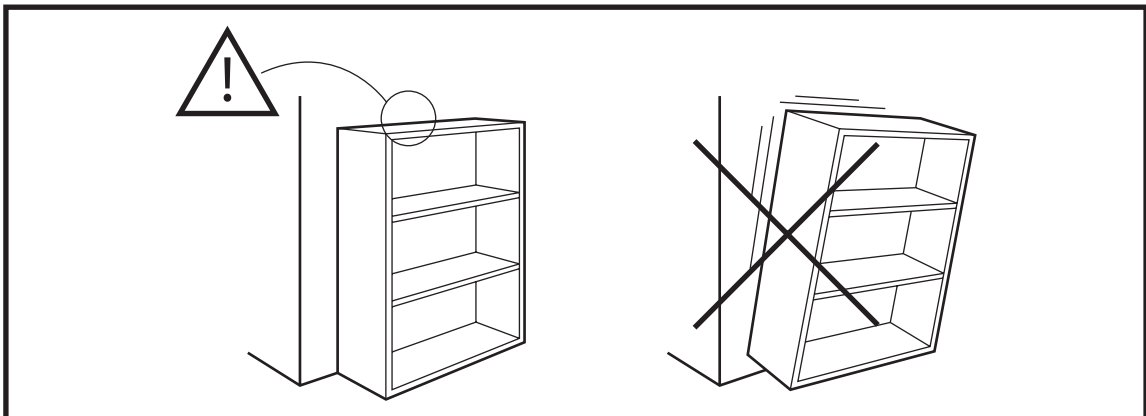


Warning

Only place items on top of the product if they meet the recommended size and weight limits.

Climbing on, stepping on, or placing overweighted objects on the product may cause property damage and/or injuries.

Items placed onto this product must be resting on a support surface without hanging over the edges.



Warning

Serious or fatal crushing injuries may occur if the furniture tip-over. Furniture must permanently affixed to the wall with included anti-tipping device in order to prevent the furniture from tipping over.

Different wall materials requires different types of wall anchors or screws. Use a suitable wall anchors or screws for your specific wall in order to secure the stability and load bearing capacity of the furniture. If you are uncertain about which type of device to use, please contact us or your local hardware store.

FURNITURE CARE AND MAINTENANCE

Medium - Density Fiberboard

Thank you for your purchase. We want your item to last as long as possible. To ensure the product gives you years of longevity, please follow the recommendations in this care and maintenance guide.



MAINTENANCE

- Tighten all bolts and screws again within the first 2 weeks of assembly.
- Check the tightness of all bolts every 2 months and tighten them if necessary.



CLEANING

- Clean the surface of the MDF (medium - density fiberboard) with a lightly dampened cloth.
- A small amount of mild soap can be used if necessary.
- Dry the surface immediately after cleaning.

⚠ DO NOT use bleach or alcohol to clean the surface.

⚠ DO NOT apply wood treatment on parts made with MDF.

MDF will swell and distort when exposed to water damage. Make sure to dry the furniture immediately after cleaning.

⚠ WARNING

The manufacturer and seller are not responsible for any and all liability relating to personal injury, property damage or losses, whether direct, indirect, or incidental, resulting from the incorrect attachment, improper use, inadequate maintenance, unapproved modification or neglect of this product.