

Thank you for your purchase!

Mid-Back Ergonomic Drafting Chair with Adjust Foot Ring and Flip-Up Arms

ASSEMBLY INSTRUCTIONS

Before You Begin:

Please identify all component parts and hardware pieces required before you begin. Carefully remove all of the components from the packaging and set aside for assembly. Assemble on a soft surface to prevent scratching during assembly.

Caution:

Tighten all components securely before use. Failure to do so may result in personal injury. DO NOT use any sharp objects to open plastic wrapped components as damage to product or components may result.

Warning:

CHOKING HAZARD - Small Parts. Adult Assembly Required.

DO NOT ALLOW CHILDREN TO CLIMB ON FURNITURE

Serious or fatal injuries can occur from furniture tipping over. You must install Tipping Restraint Hardware (where included) to help prevent the unit from tipping and causing accidental injury, instability, death or damage. The tipping restraint is intended only as a safety measure, it is not a substitute for proper adult supervision.

To help prevent furniture from tipping over it must be permanently attached to the wall. Anti-Tip Safety Wall Straps suitable for the unit weight and wall materials (if not included) should be purchased and installed

Our Warranty Statement

This warranty covers manufacturing defects associated with your new product. The product is warranted from the original purchase date and to the original purchaser for normal usage, according to the below-referenced specifications and limitations.

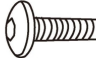

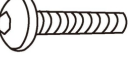




- Non-moving metal parts are warranted for 5 years.
- Component parts including pneumatic cylinder, control mechanism, base and casters are warranted for 2 years.
- All other items are warranted for 1 year.

Normal usage means use in compliance with the restrictions and weight limits specified for the product. In the absence of product-specific restrictions and weight limits, normal usage means use for no more than forty hours per week by persons weighing 250 lbs. or less. Coverage terminates if the product is sold or otherwise transferred. Repairs made by parties other than us also void this warranty.

This warranty will not cover: (1) labor, freight, or damage from misuse, abuse, negligence, alteration, assembly, installation, attachments, accident, vandalism, acts of nature or any other event beyond our control; (2) tearing, scratching, scuffing, or blemishing of leather or fabric; (3) cosmetic damage that may result from normal usage; (4) damage attributable to use by persons exceeding specified weight limits or commercial use exceeding forty hours per week; or (5) rust or other damage caused by exposure to moisture. The user assumes all risk of injury resulting from use of this product. Liability for incidental or consequential damage is excluded. Some states do not allow the exclusion or limitation of incidental or consequential damages, so the above limitation or exclusion may not apply to you.



Hardware:

| | | | |
|----|--|----------------|-----|
| A. |  | Bolt M6x25mm | x 4 |
| B. |  | Bolt M6x20mm | x 4 |
| C. |  | Bolt M6x35mm | x 4 |
| D. |  | Flat Washer M6 | x 4 |
| E. |  | Allen Wrench | x 1 |
| G. |  | Cap Cover | x 2 |
| H. |  | Cap Cover | x 2 |

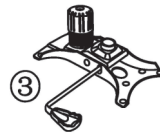
Component:



Base x1



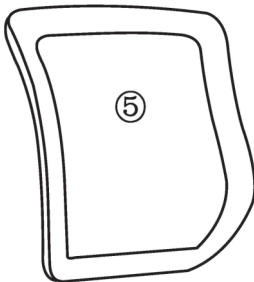
Cylinder Column x1



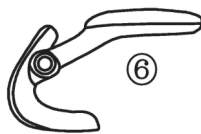
Control Mechanism x1



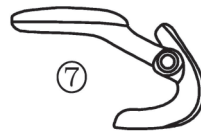
Seat x1



Back Frame x1



Left Arm x1



Right Arm x1



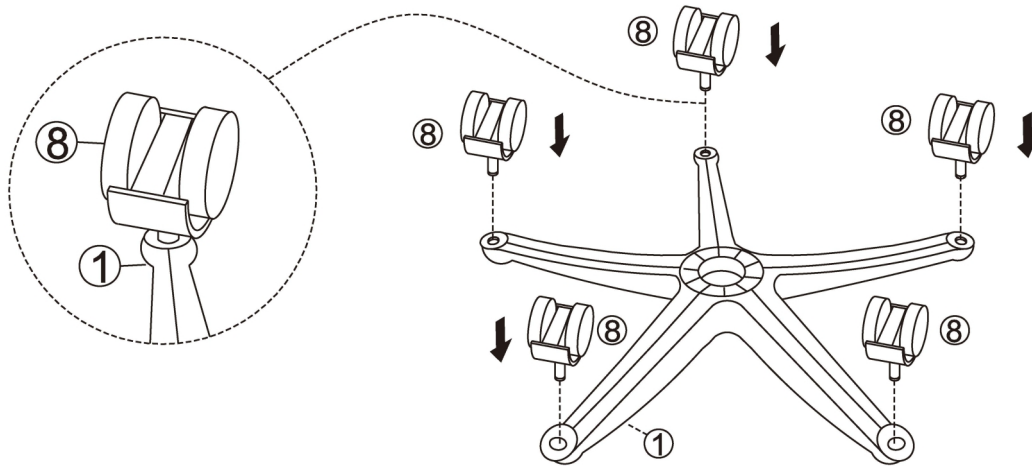
Casters x5



Foot Ring x1

STEP 1:

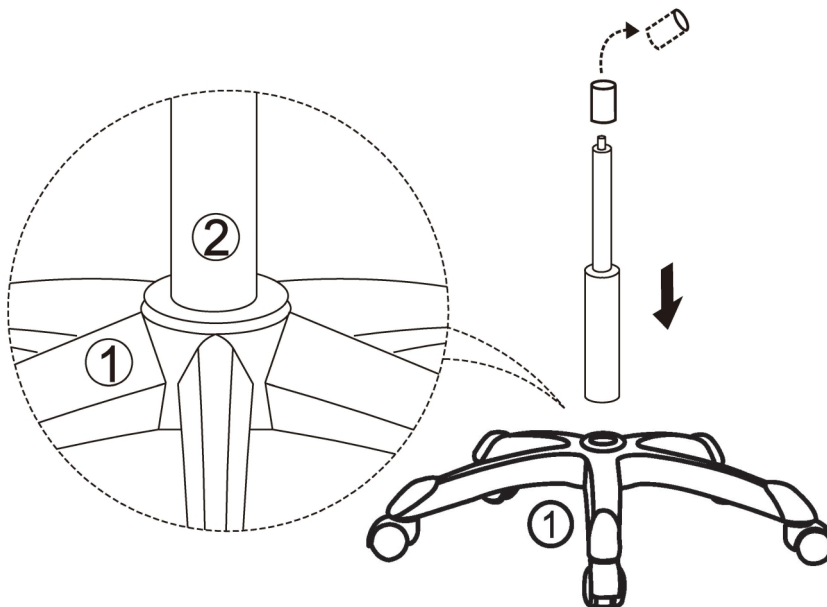
Lay Base (Part 1) upside down on a clean smooth surface. Insert (5) Casters (Part 8) into the Base.



STEP 2:

Return the assembled base back to the upright position.

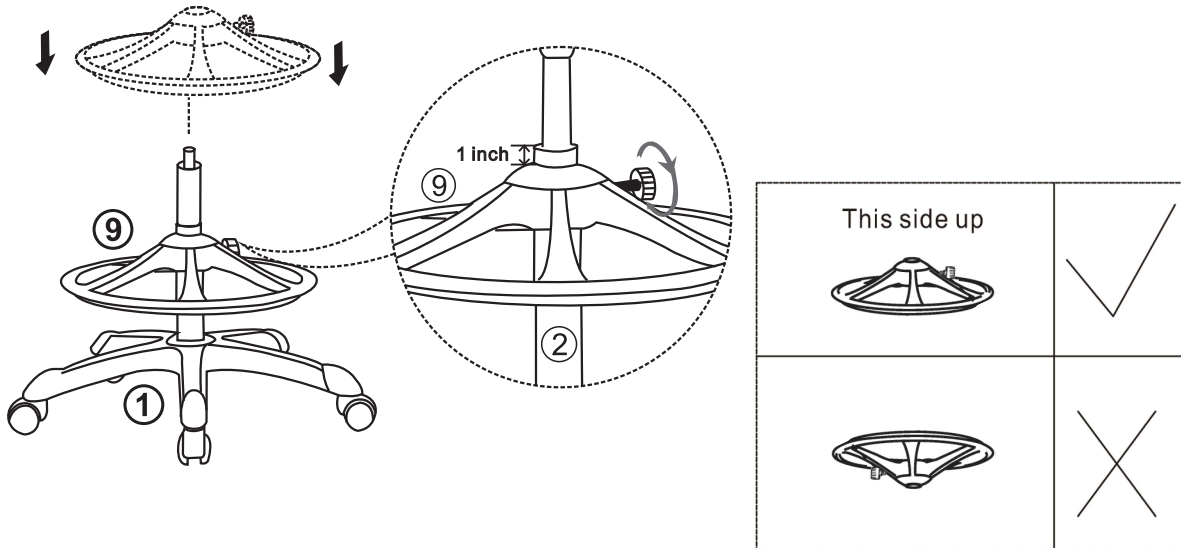
Insert Cylinder Column (Part 2) into the base then remove the Cylinder Column Cap.



STEP 3:

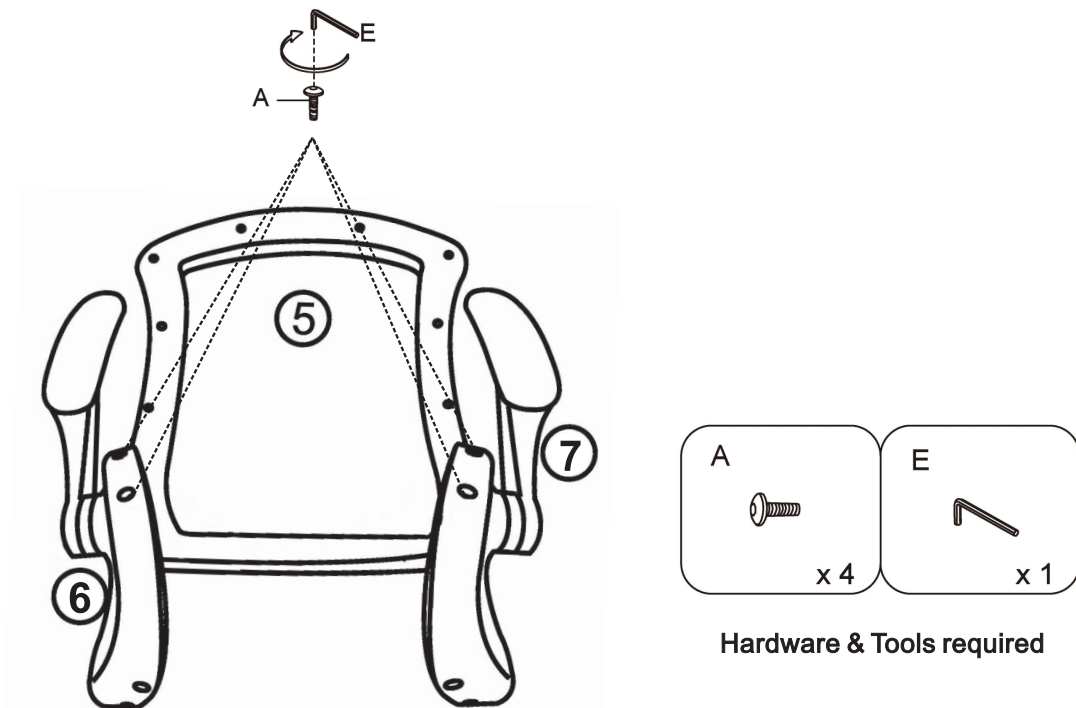
Slide the Foot Ring (Part 9) onto the assembled Cylinder Column with the raised side pointing up (see diagram), adjust to your desired height and turn the knob counter clockwise.

NOTE" Foot ring must be at least 1 Inch below the top of the outer circle circle of cylinder column.



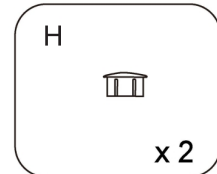
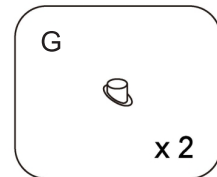
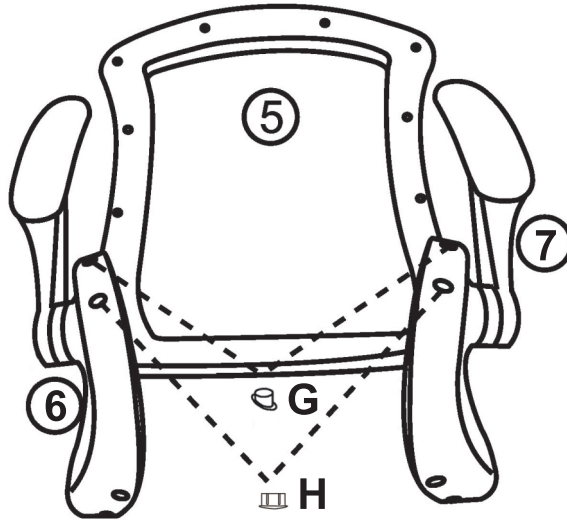
STEP 4:

Attach Left Arm (Part 6) and Right Arm (Part 7) to the Back Frame (Part 5) using (4) M6x25mm Bolts (Part A). Tighten with Allen Wrench (Part E)



STEP 5:

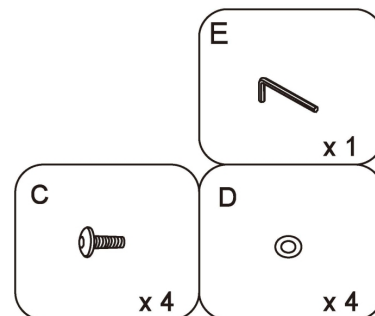
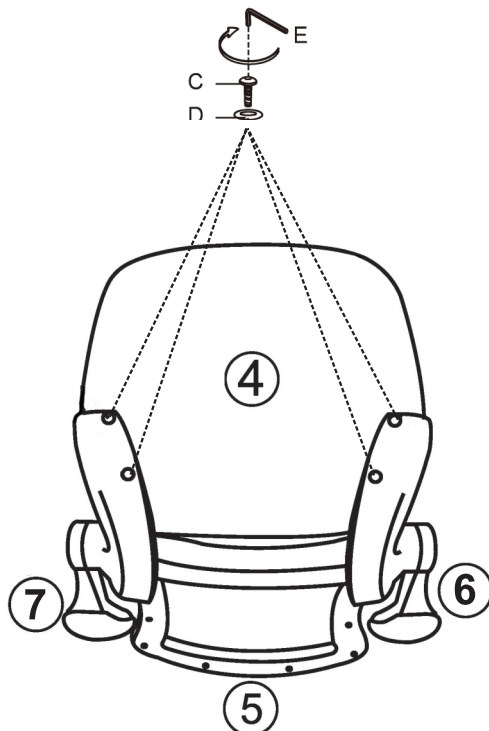
Attach Cap Cover (Part F) and Cap Cover (Part G) to holes on the Left and Right Arms.



Hardware & Tools required

STEP 6:

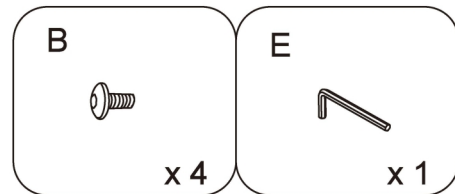
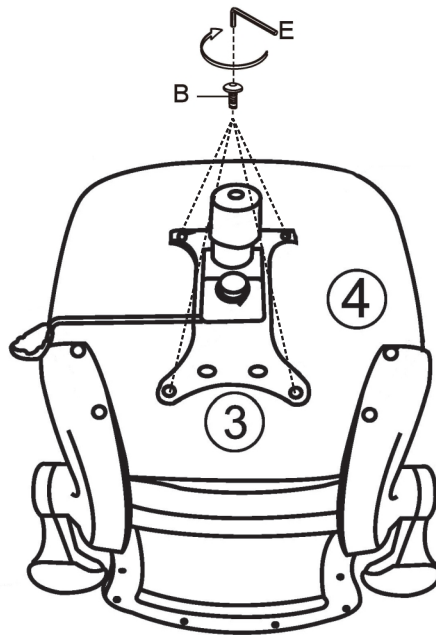
Attach Left Arm (Part 6) and Right Arm (Part 7) to the Seat (Part 4) using (4) Flat Washers (Part D) and (4) M6x35mm Bolts (Part C). Tighten with Allen Wrench (Part E).



Hardware & Tools required

STEP 7:

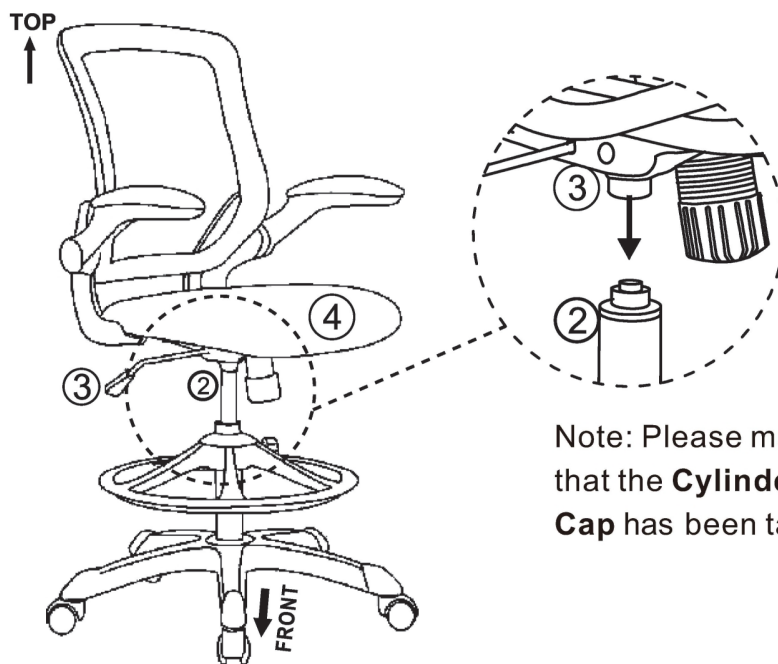
Attach Control Mechanism (Part 3) to the underside of the Seat (Part 4) using (4) M6x20mm Bolts (Part B). Tighten with Allen Wrench (Part E)



Hardware & Tools required

STEP 8:

Place assembled seating unit onto the Cylinder Column and push down to seat.



Note: Please make sure that the **Cylinder Column Cap** has been taken off.
