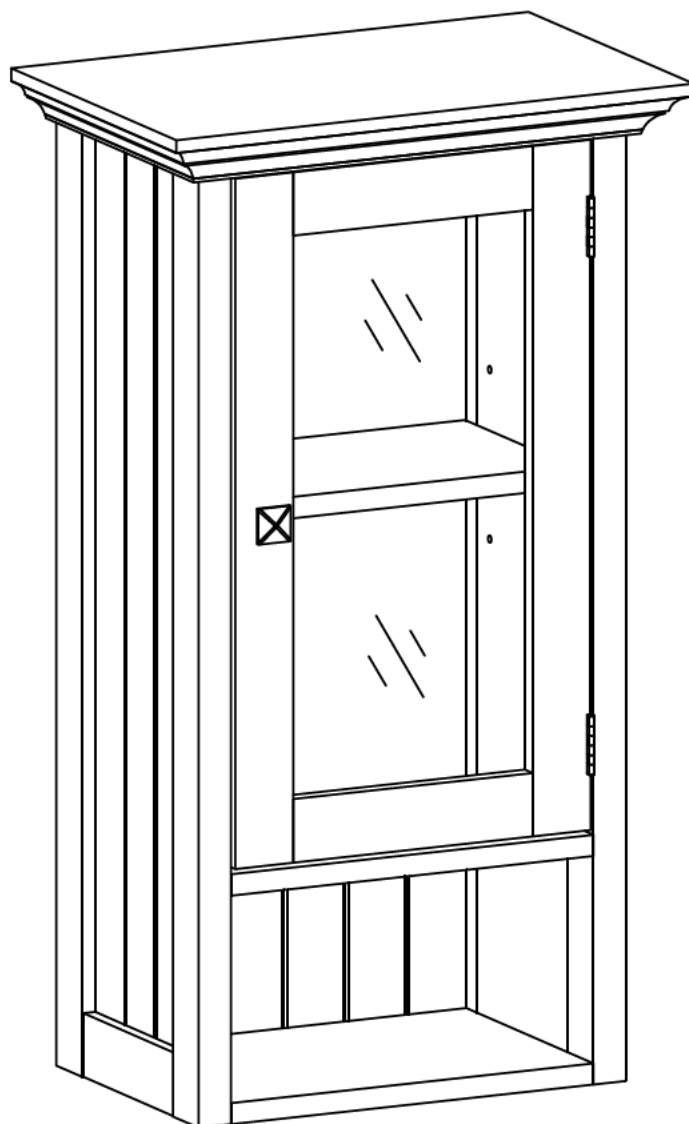


SINGLE DOOR WALL CABINET



IMPORTANT : Please read this manual carefully before beginning assembly of this product. Keep this manual for future reference.

SAFETY INFORMATION

Identify all the parts and hardware. Do not discard of the packaging until you have checked that you have all of the parts and hardware required. Hardware package may have spare parts.

WARNING: This item contains small parts which can be swallowed by children and pets. Keep children and pets away during assembly. To avoid danger of suffocation, always keep plastic bags away from children and pets. We recommend that you assemble this unit on a carpeted floor to avoid scratches. If using power tools, set the tool to low torque to avoid damage.

May require 2 people for ease of assembly.

IMPORTANT : Please read this manual carefully before beginning assembly of this product. Keep this manual for future reference.

CARE and MAINTENANCE

Perhaps the greatest environmental damage to wood furniture comes from wide swings in relative humidity in our homes. Wood absorbs and desorbs water as relative humidity rises and falls, and in doing so it swells and shrinks. Making matters worse, it expands and contracts unequally along different grain directions. As humidity changes, the components of wooden objects are continually pushing and pulling against each other. This pressure often results in parts of furniture no longer fitting together closely or becoming distorted or breaking from their own internal stresses.

The response to relative humidity changes begins with determining the annual average RH for your particular space. Then try to keep the RH in the space where your furniture is as close to that average as possible, generally within about 10% up or down. De-humidify in the summer and humidify in the winter.

Be aware that raising the temperature lowers the humidity and vice versa. Thus, modern heating systems, which can drive down interior RH in the winter, almost invariably cause problems for furniture. To counteract their effect, you can either modify the RH by keeping furniture containing spaces cooler in the winter or most importantly, have a good working humidifier for your home. A humidistat automatically works to balance the humidity in your home so it is constant. Dry indoor air can suck enough moisture from its surroundings to do permanent damage to wood, causing it to crack or split.

Remember, that not all woods are created equal. Two factors that help determine how rapidly a wood will lose moisture are pore size and surface hardness. A piece made from a dense and hard wood will dry less rapidly than pieces made from softer woods.

Furniture that is sealed and lacquered will lose moisture more slowly than an unfinished piece while pieces with veneer finishes are not only stronger, but lose moisture more slowly than other finishes.

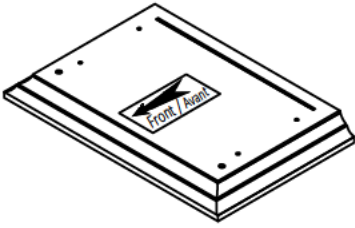
To help protect your wood furniture, take these steps:

- Use a humidifier, preferably one with an automatic control system that can sense the humidity level and adjust itself accordingly. Don't over-humidify; that can damage wood by causing it to expand and contract.
- Keep furniture out of direct sunlight, which can cause it to dry out, crack and warp.
- If you can avoid it, don't put furniture near heating vents. If you must, keep the piece 3 to 4 inches away from the wall, giving the heat and air space to circulate.
- Dust with soft dry cloth.
- Do not use liquid or aerosol products.
- To avoid marking, do not place rubber on surface (foot pads, etc.)
- For soil build-up, wipe with damp cloth & dry.
- Do not use abrasive cleaners.

PRE-ASSEMBLY INFORMATION

PART DESCRIPTION

A



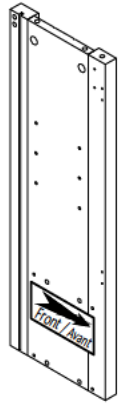
TOP
QTY 1

BL



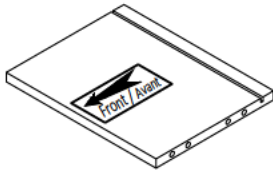
LEFT SIDE
QTY 1

BR



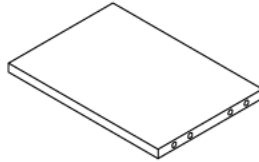
RIGHT SIDE
QTY 1

C



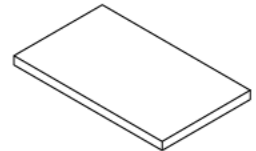
BOTTOM SHELF
QTY 1

D



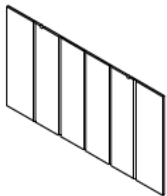
MIDDLE SHELF
QTY 1

E



SHELF
QTY 1

F



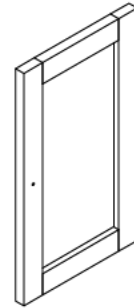
BOTTOM BACK PANEL
QTY 1

G



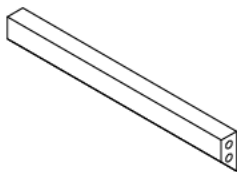
TOP BACK PANEL
QTY 1

H



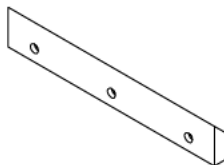
DOOR
QTY 1

I



BACK BAR
QTY 1

J

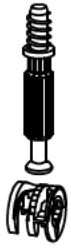


WALL MOUNT BAR
QTY 1

PRE-ASSEMBLY INFORMATION

HARDWARE DESCRIPTION

1



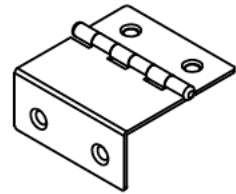
CAM LOCK PIN
CAM LOCK
QTY 12 SETS

2



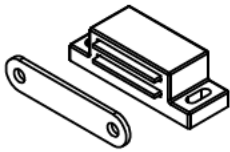
WOOD DOWEL
Ø8 X 30mm
QTY 14

3



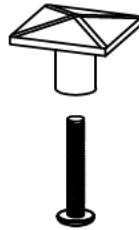
HINGE
QTY 2

4



MAGNET AND PLATE
QTY 1 SET

5



HANDLE
M4 X 25 mm
QTY 1 SET

6



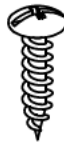
SHELF SUPPORT
QTY 4

7



PHILLIPS SCREW
M4 X 50mm
QTY 3

8



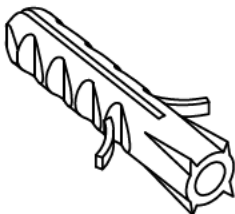
PHILLIPS SCREW ROUND HEAD
M4 X 15mm
QTY 2

9

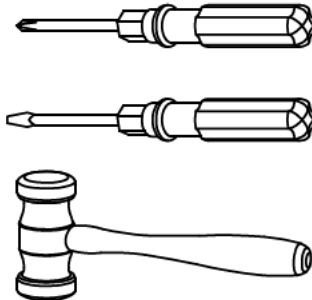


PHILLIPS SCREW
M3 X 15mm
QTY 12

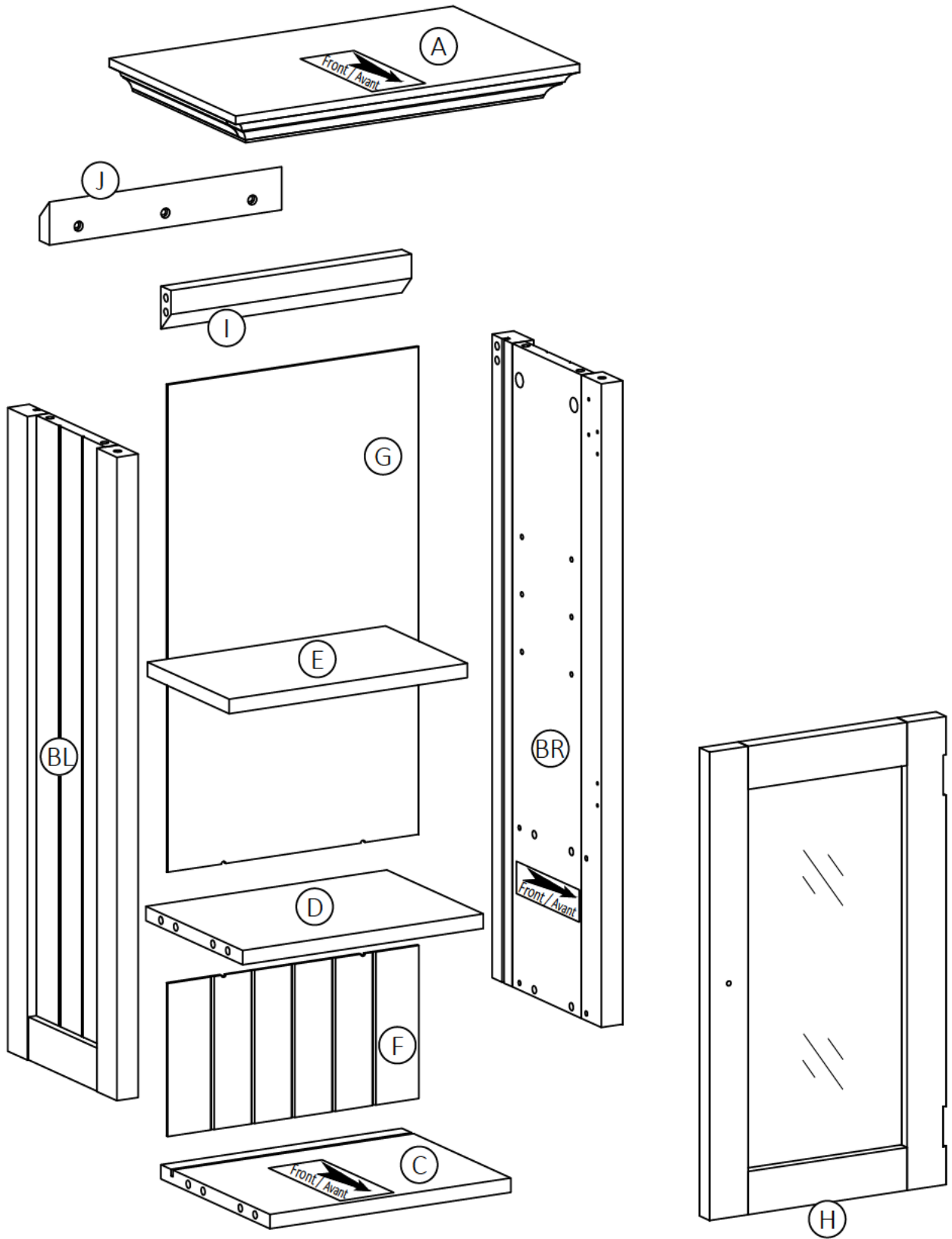
10



WALL ANCHOR
QTY 2

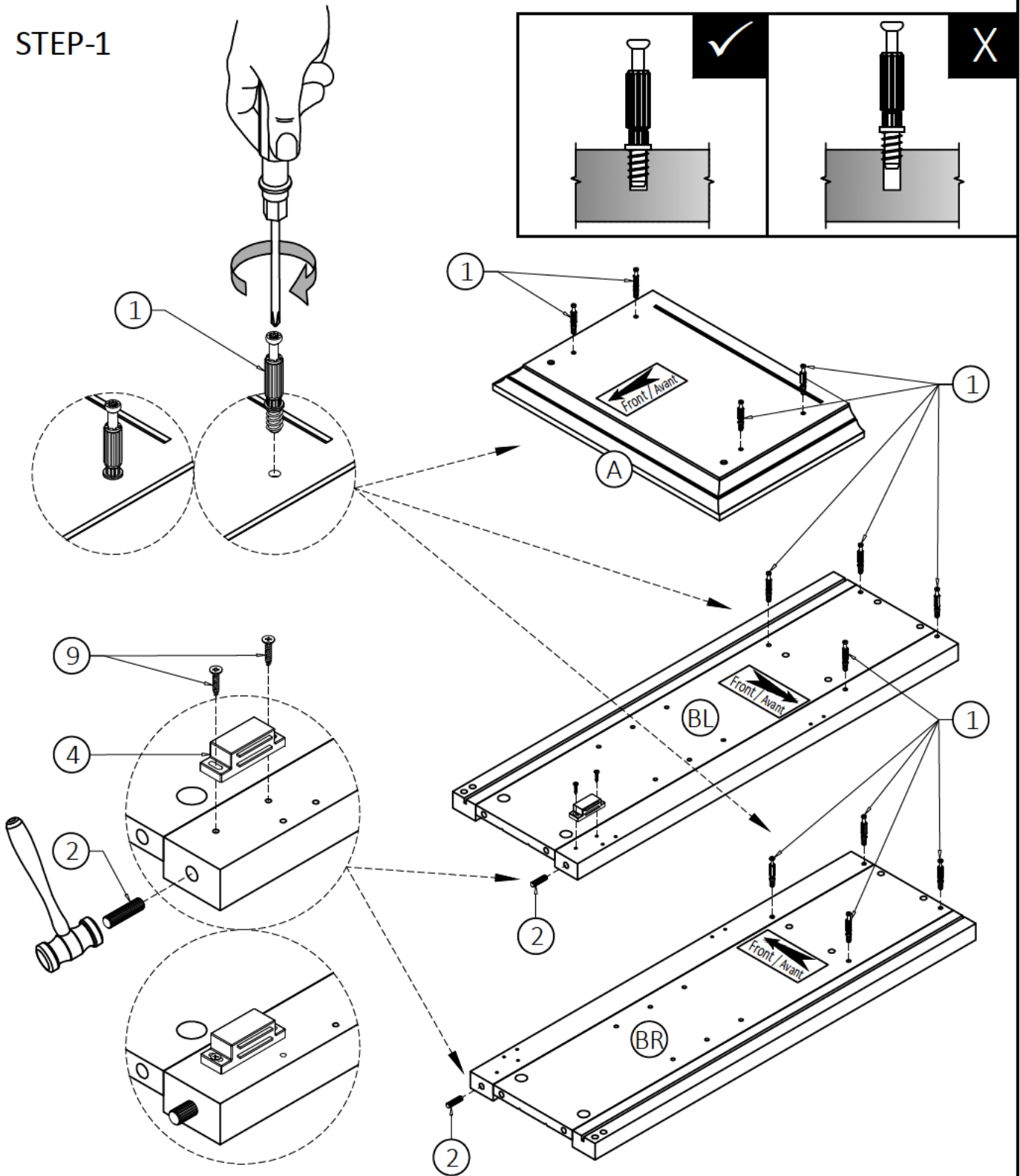


Required -
Flathead screwdriver
Phillips screwdriver
Rubber mallet
Not Included



ASSEMBLY

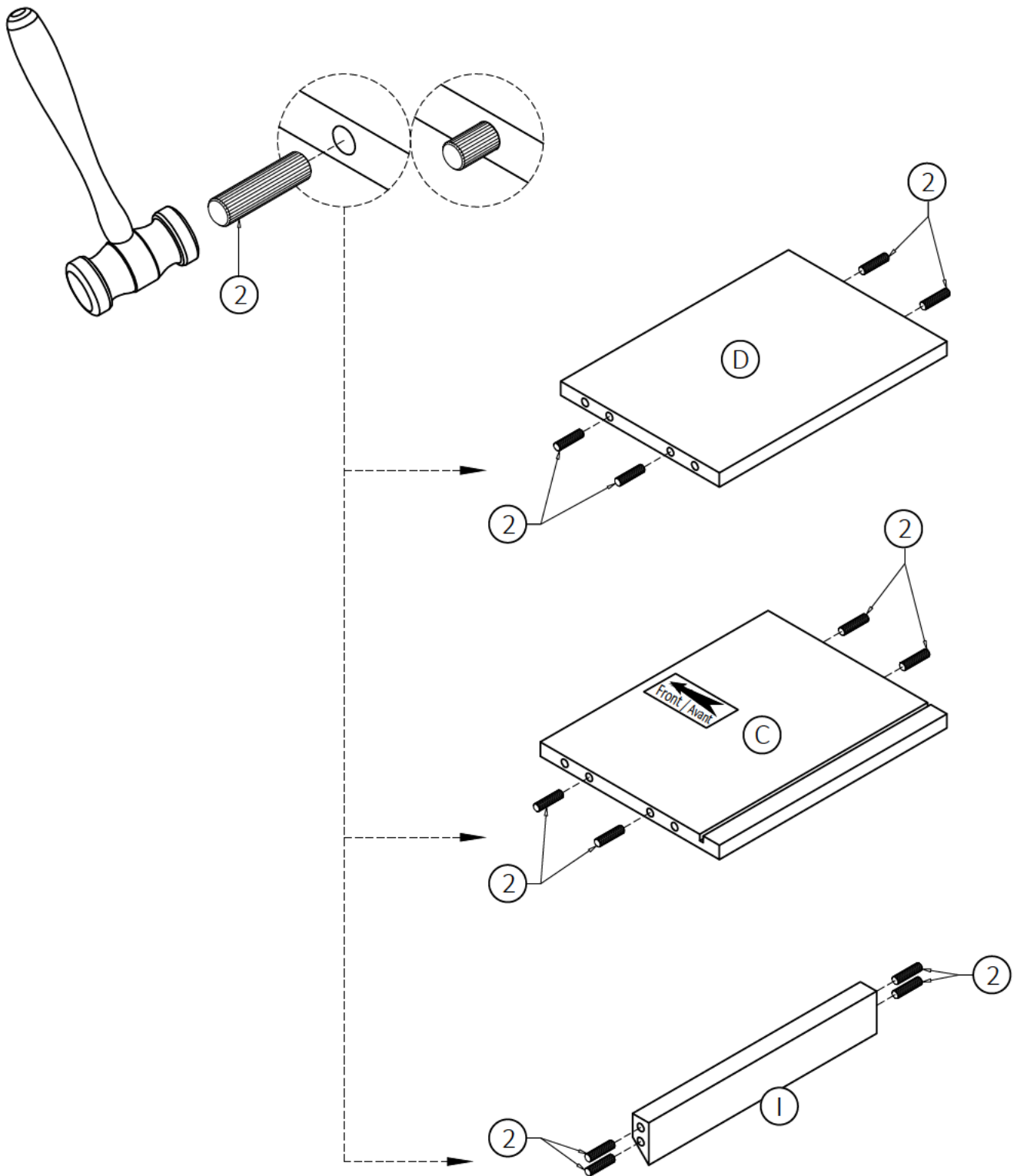
STEP-1



1. Attach Cam Lock Pins (1) into pre-drilled holes on parts (A), (BL), (BR).
2. Use Phillips screwdriver to secure Cam Lock Pins. Do not over-tighten.
3. Insert one Dowel (2) into guide holes on each Side (BL), (BR).
4. Use rubber mallet to tap Dowels (2) into bottom of holes securely. 1/2 length of Dowels should be exposed.
5. Attach Magnet (4) using Phillips Screws (9) into pre-drilled holes on Left Side (BL).
6. Use Phillips screwdriver to secure screws. Do not over-tighten.

ASSEMBLY

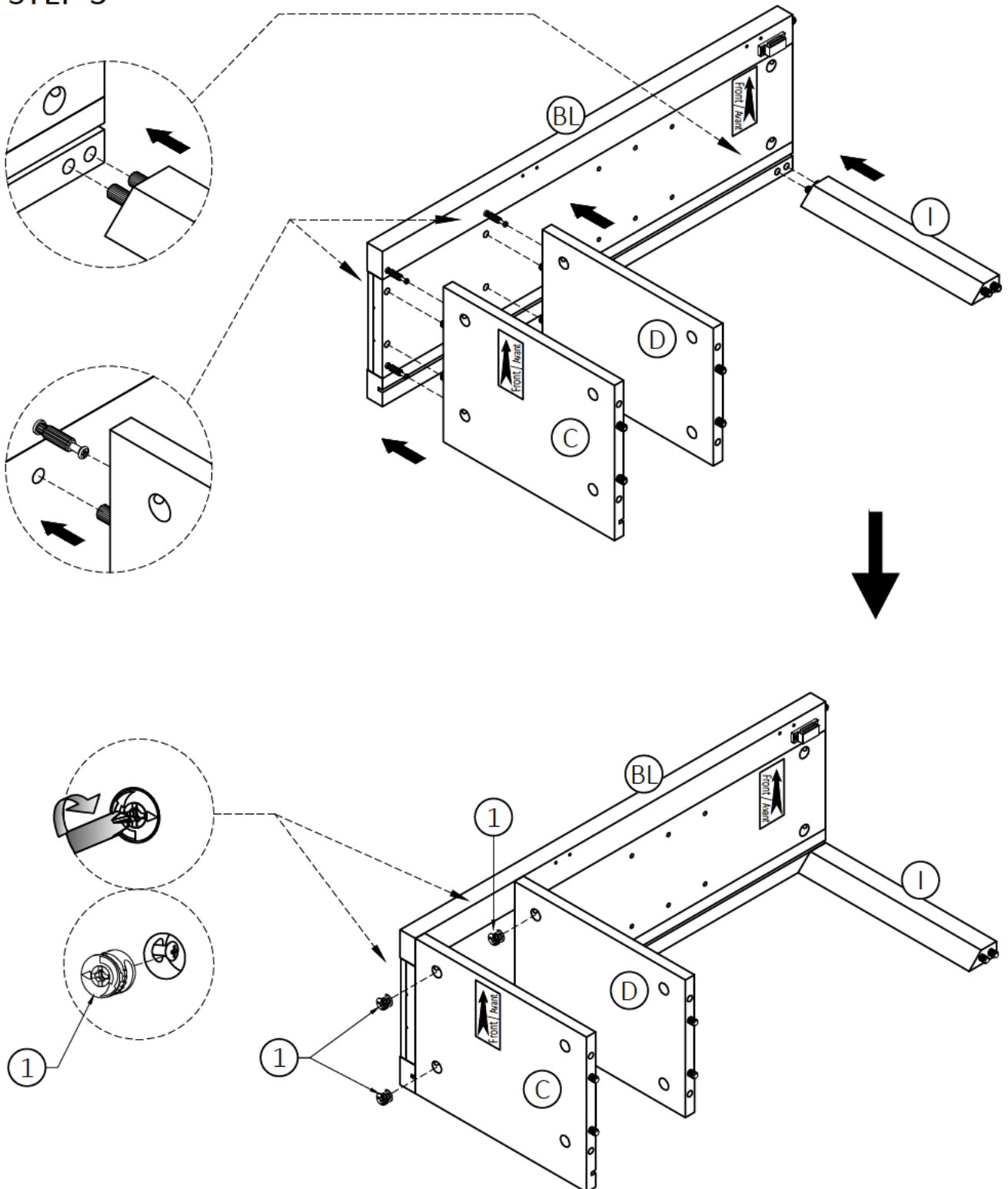
STEP-2



1. Insert Dowels (2) into guide holes on each part (C), (D), (I).
2. Use rubber mallet to tap Dowels (2) into bottom of holes securely. 1/2 length of Dowels should be exposed.

ASSEMBLY

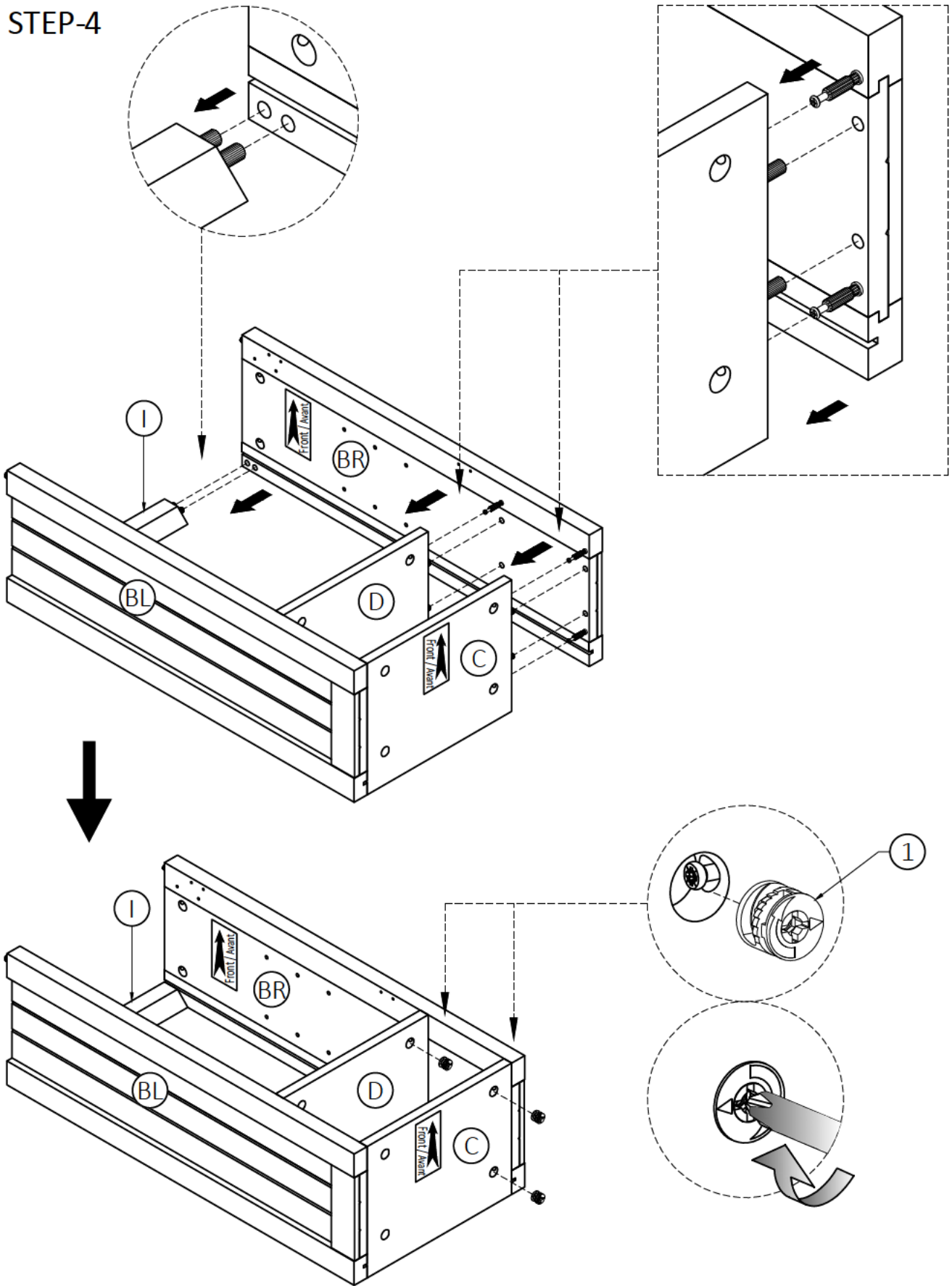
STEP-3



1. Align Wood Dowels and Cam Lock Pins with guide holes and attach parts (C), (D), (I) to Left Side (BL).
2. Insert two Cam Locks (1) into guide holes on parts (C), (D).
3. Use Phillips screwdriver to secure Cam Locks.

ASSEMBLY

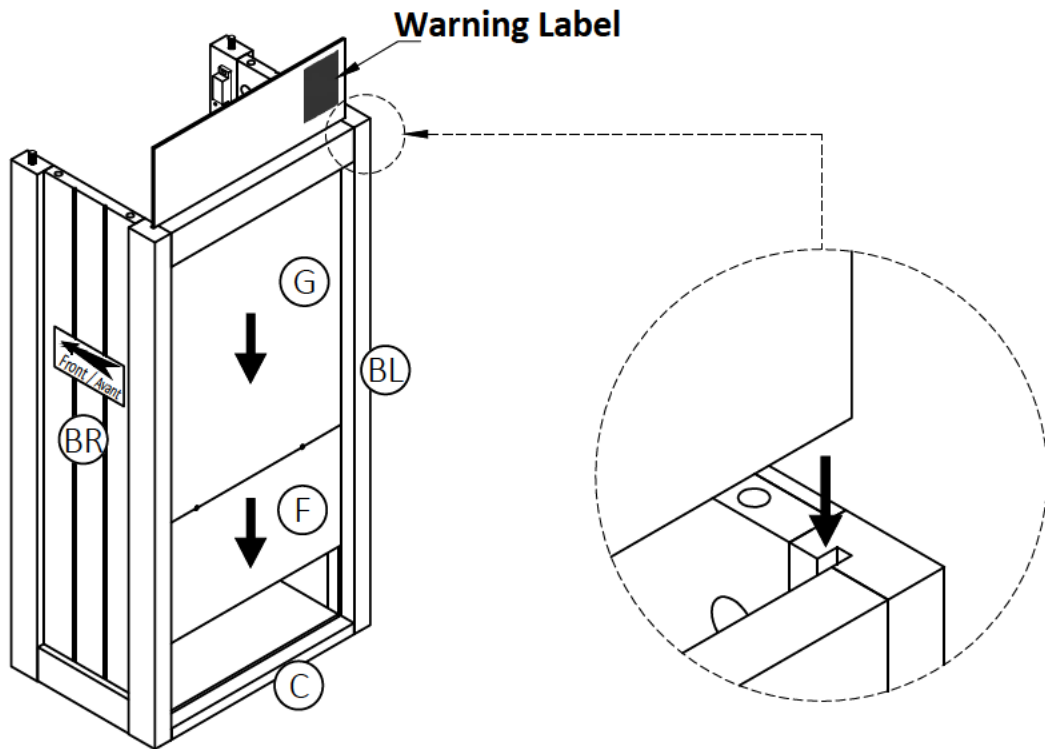
STEP-4



1. Repeat Step-3 for the Right Side (BR).

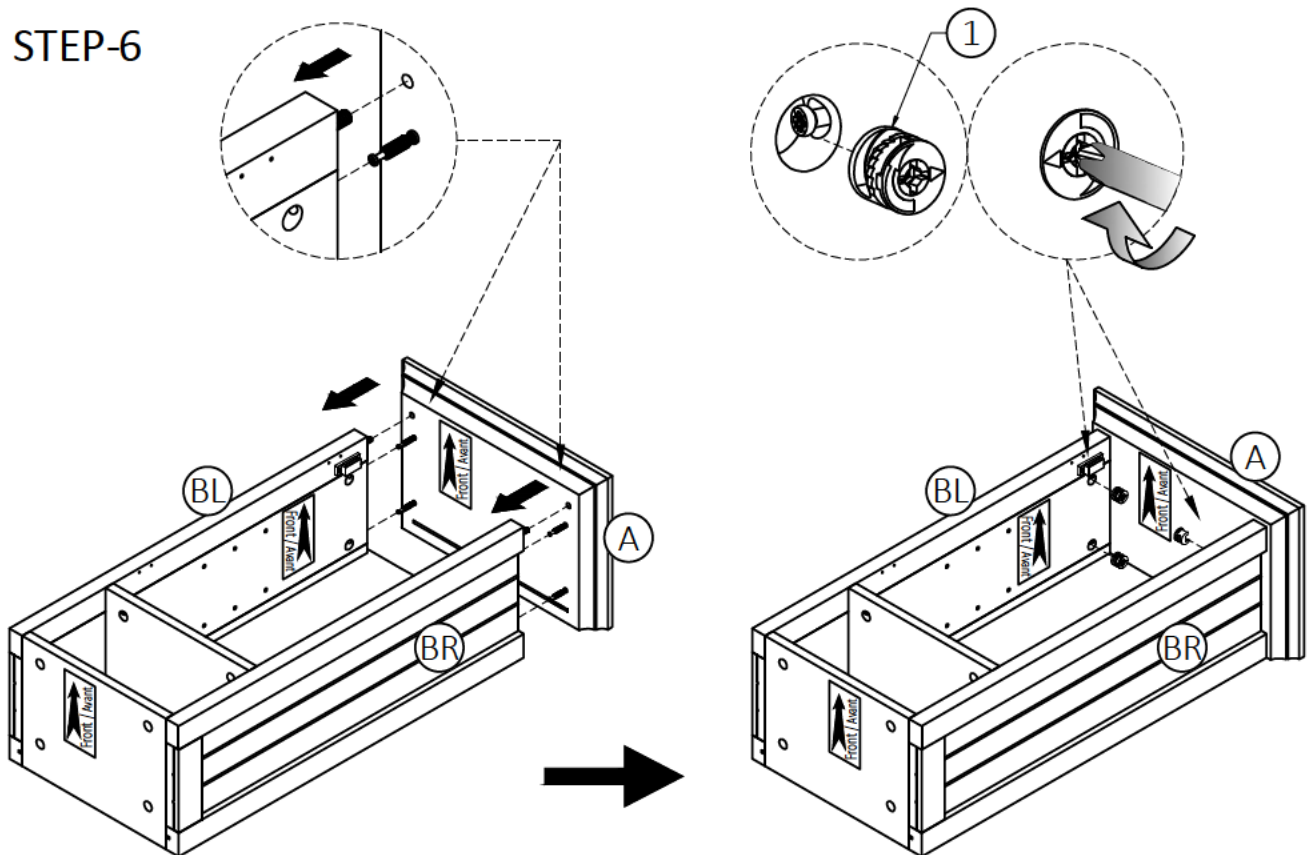
ASSEMBLY

STEP-5



1. Slide Back Panels (F), (G) firmly into slots on Sides (BL), (BR) and Bottom Shelf (C).

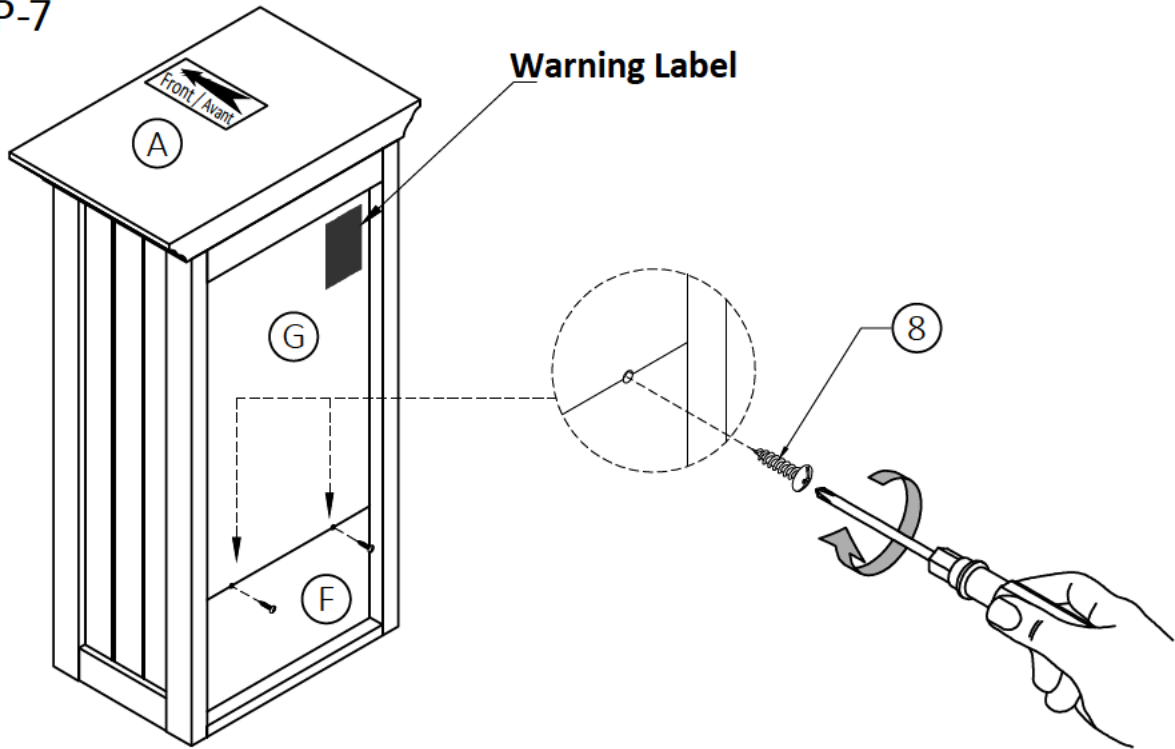
STEP-6



1. Align Wood Dowels and Cam Lock Pins with guide holes and attach Top (A) to parts (BL), (BR).
2. Insert two Cam Locks (1) into guide holes on each parts (BL), (BR).
3. Use Phillips screwdriver to secure Cam Locks.

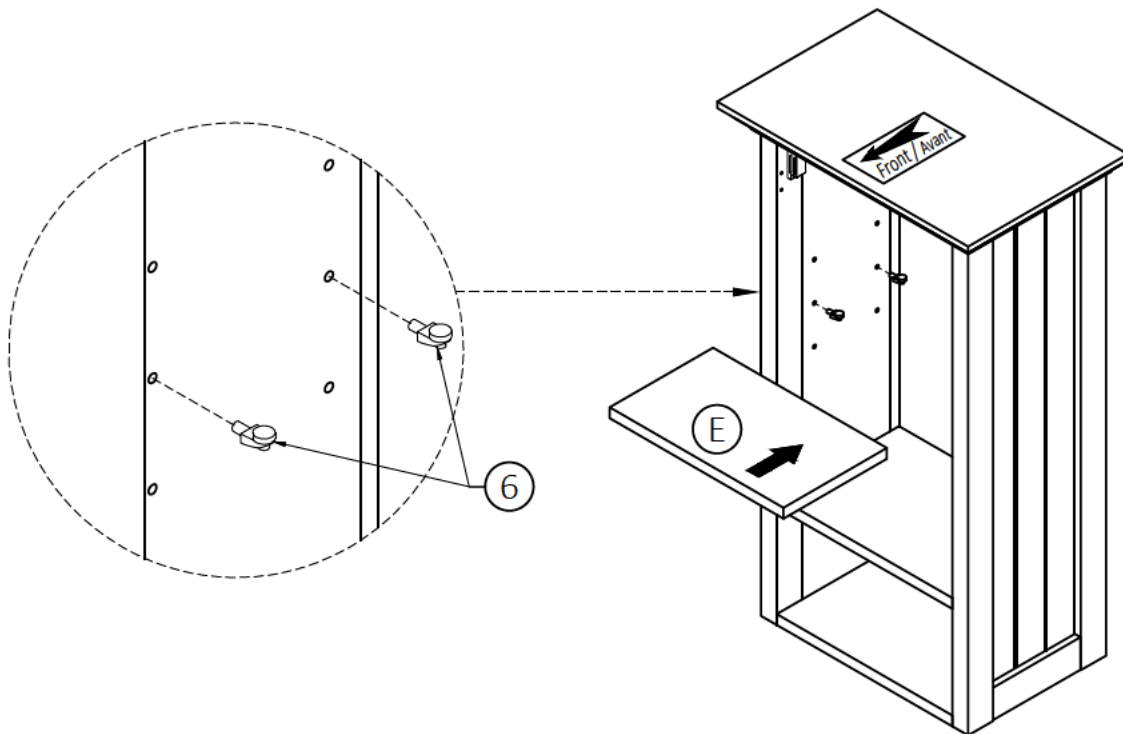
ASSEMBLY

STEP-7



1. Use Phillips Screws Round Head (8) to attach Back Panels (F), (G) through guide holes.
2. Use Phillips screwdriver to secure Screws. Do not over-tighten.

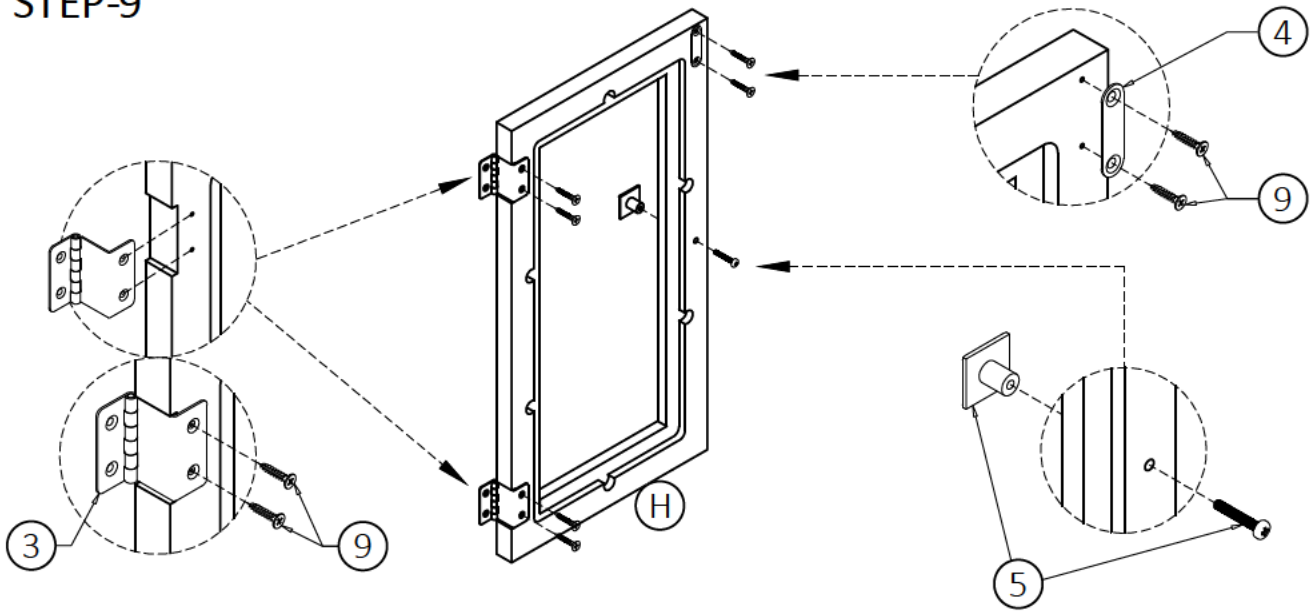
STEP-8



1. Use four Shelf Supports (6) for Cabinet Shelf (E) in desired location .

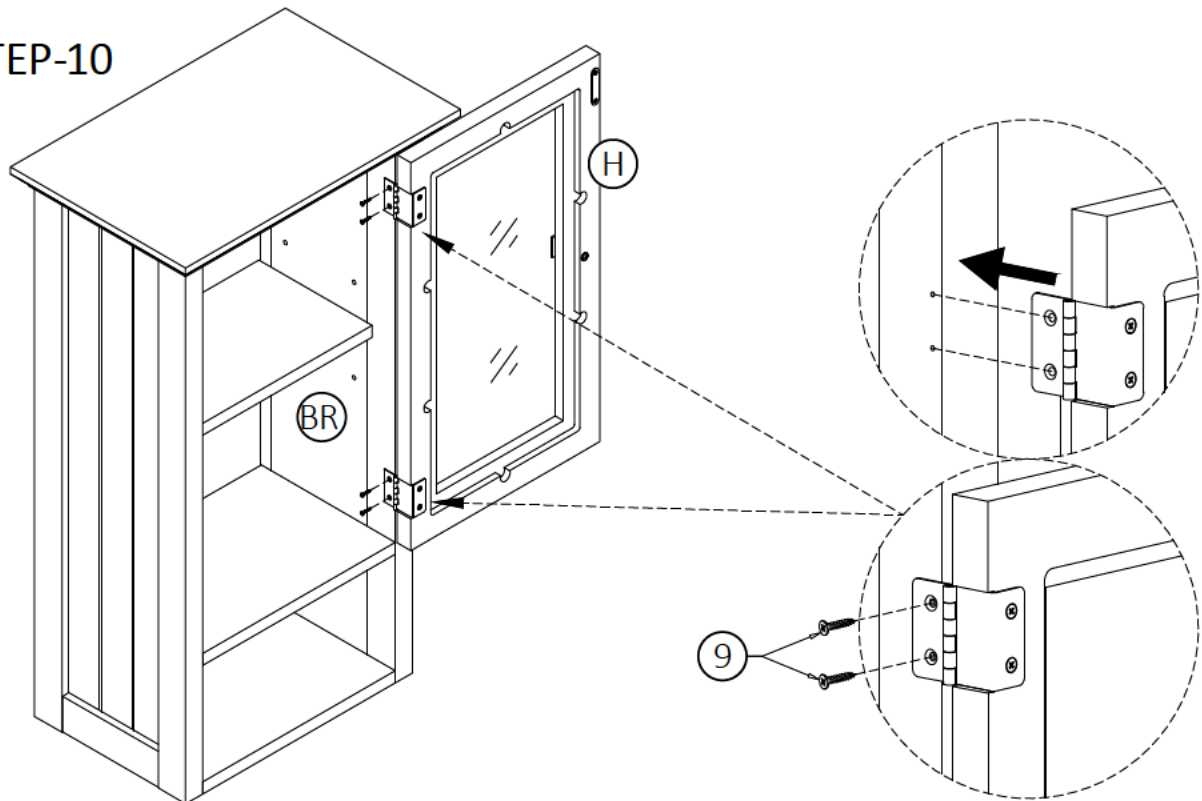
ASSEMBLY

STEP-9



1. Attach Hinge (3) to Door (H) using Phillips Screws (9) into pre-drilled holes on Door (H).
2. Attach Magnet Plate (4) to top corner of Door (H) using Phillips Screws (9) into pre-drilled holes on Door (H).
3. Use Phillips screwdriver to attach Handle (5) to Door (H).

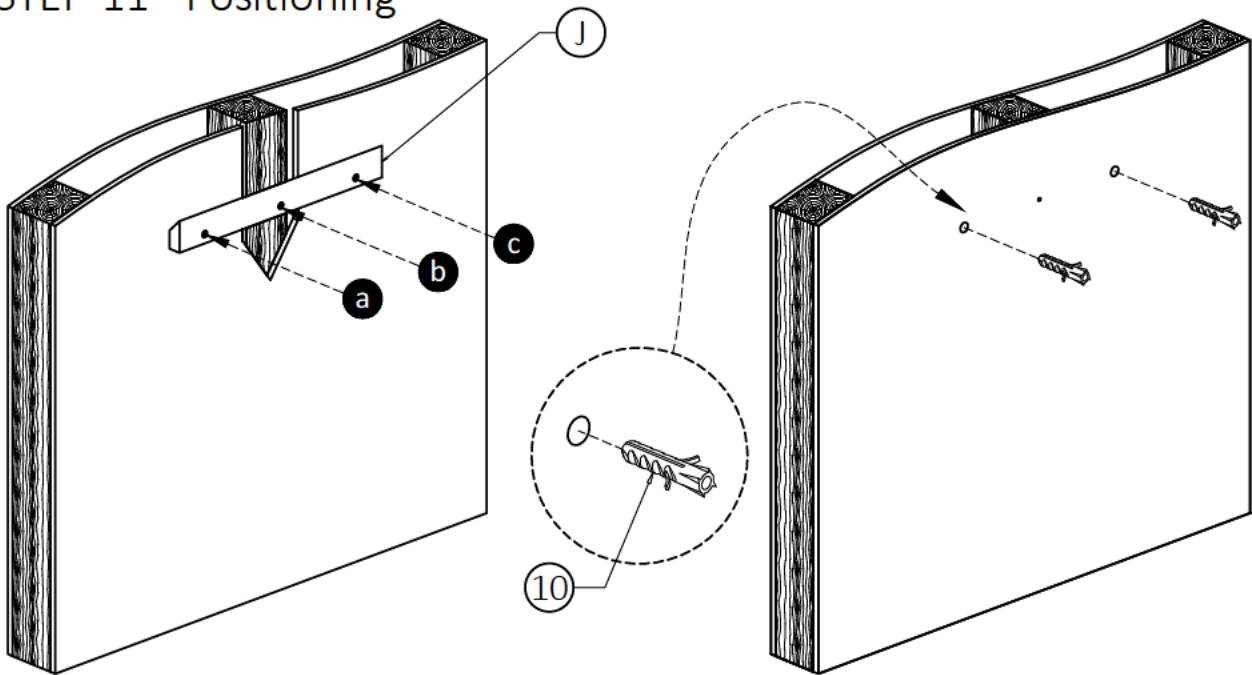
STEP-10



1. Attach Hinge on Door (H) to Right Side (BR) using Phillips Screws (9) into pre-drilled holes on Right Side (BR).
2. Use Phillips screwdriver to secure screws. Do not over-tighten.

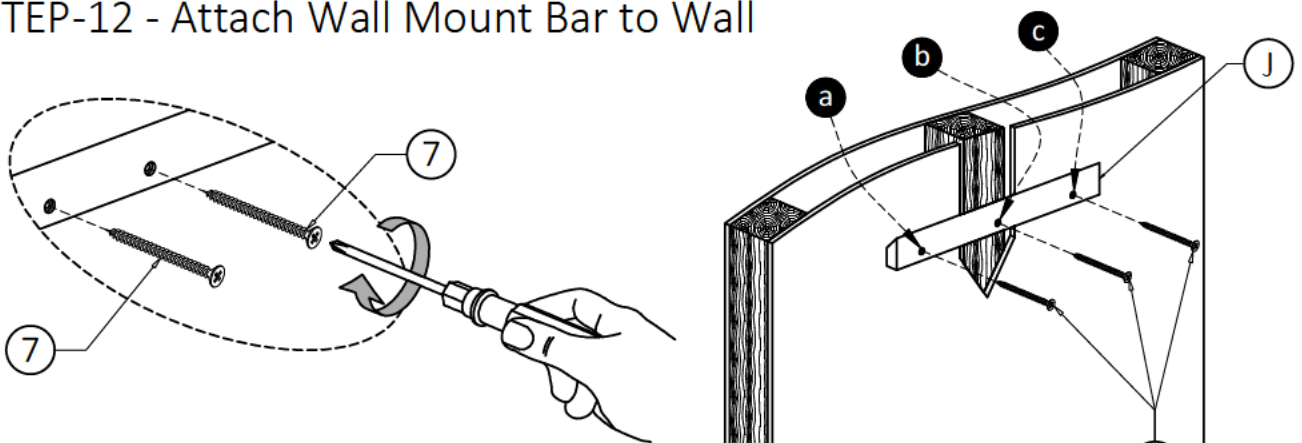
ASSEMBLY

STEP-11 - Positioning



1. Determine the location for the unit on the wall. The Top (A) should be approximately 1 ¼" above the top of the Wall Mount Bar (J) when mounted.
2. Place the Wall Mount Bar (J) at the predetermined height. Use a level to ensure that it is straight. The flat side of Wall Mount Bar (J) should face outward away from the wall. Hole (b) should align with your studs. Carefully mark the position of each hole using the tip of the Phillips Screw (7).
3. Install four Wall Anchors (10) to positions (a),(c) using a Phillips screwdriver. Anchors are self-tapping and do not need pre-drilled holes.
4. Use your drill to create 1 hole 0.15" diameter x 2" deep at position (b).

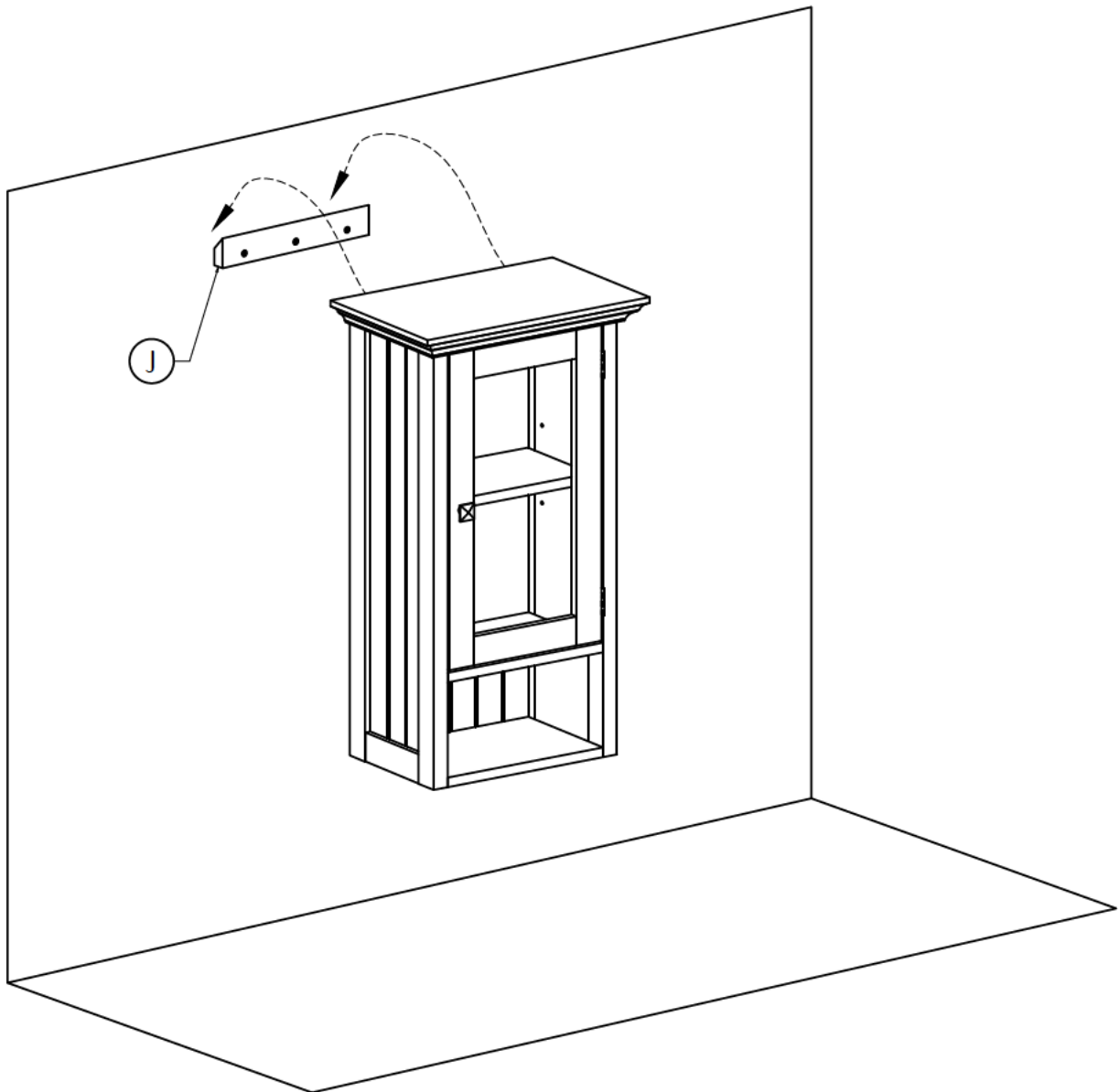
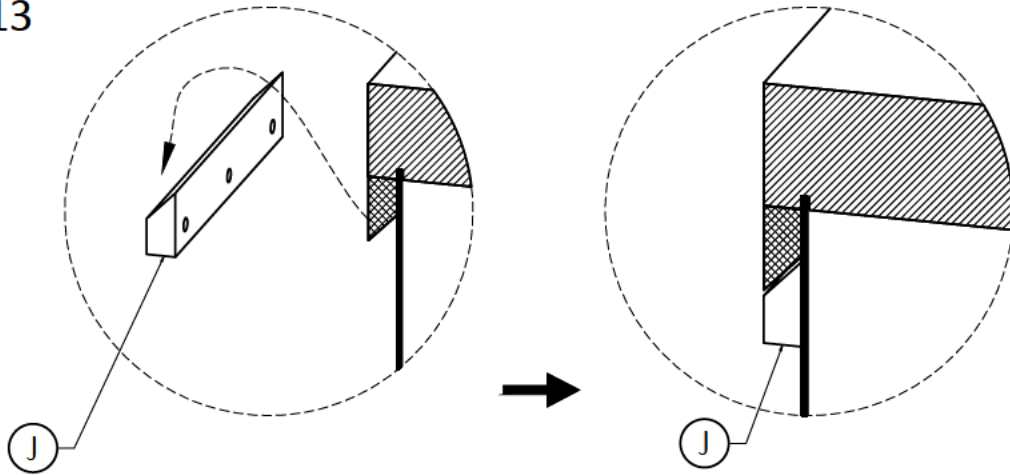
STEP-12 - Attach Wall Mount Bar to Wall



1. Screw one Phillip Screw (7) through the raised side of the Wall Mount Bar (J) at position (b).
2. Screw four Phillip Screws (7) through the raised side of the Wall Mount Bar (J) at positions (a),(c) where Wall Anchors (10) were placed.
3. Tighten all screws. Do not over tighten.

ASSEMBLY

STEP-13



1. Align the top of the Wall Mount Bar (J) with the bottom of the angled bracket on the back of the Cabinet.
2. Gently slide the Cabinet down on to the Wall Mount Bar (J).

WARRANTY

Thank you for purchasing the product. These products have been made to demanding, high-quality standards and are guaranteed for domestic use against manufacturing faults for a period of 12 months from the date of purchase. This warranty does not affect your statutory rights.

We reserve the right to repair or replace the defective product, at its discretion.

This product is guaranteed for 12 months if used for normal purposes. Any warranty is invalid if the product has been overloaded or subject to neglect, improper use or an attempted repair by other than an authorized agent. Heavy-duty or daily professional/commercial usage are not guaranteed.

Due to continuous product improvement, we reserve the right to change the product specifications without prior notice.