

ITEM NO: 100117

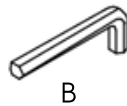
# ASSEMBLY INSTRUCTIONS

Do not fully tighten bolts & screws until the entire item is completely assembled.  
Two People required for assembly.

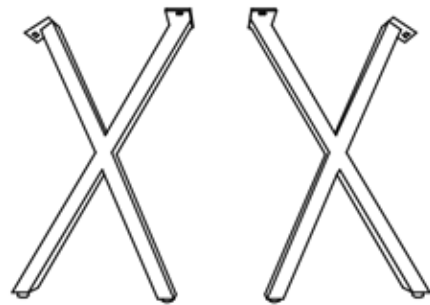
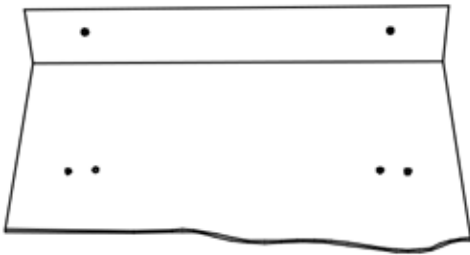
## Hardware



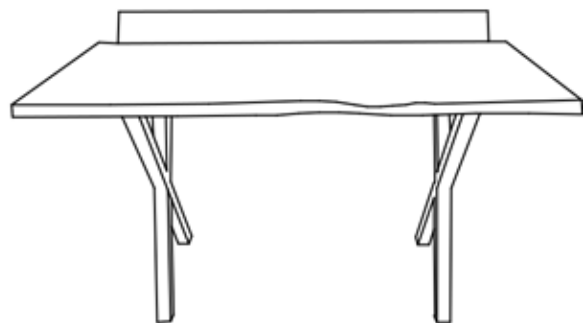
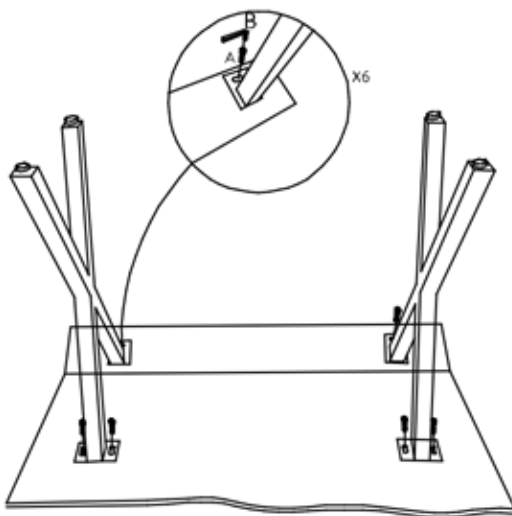
## Tool Required



## Components



## Assembly Instructions



For user safety periodically verify tighten all fittings