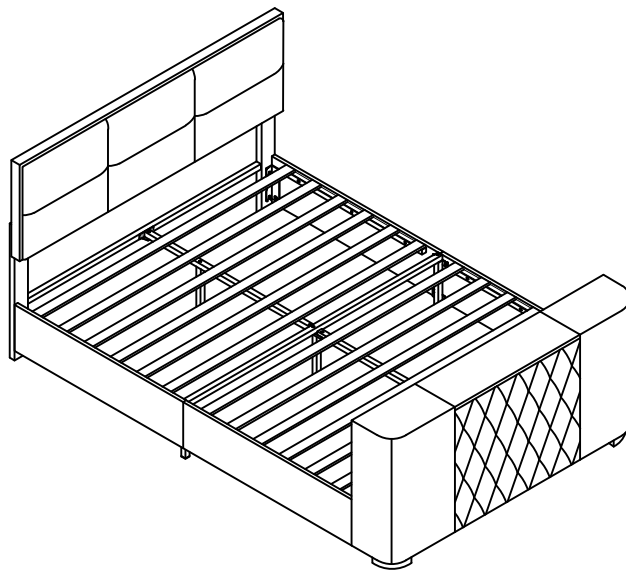


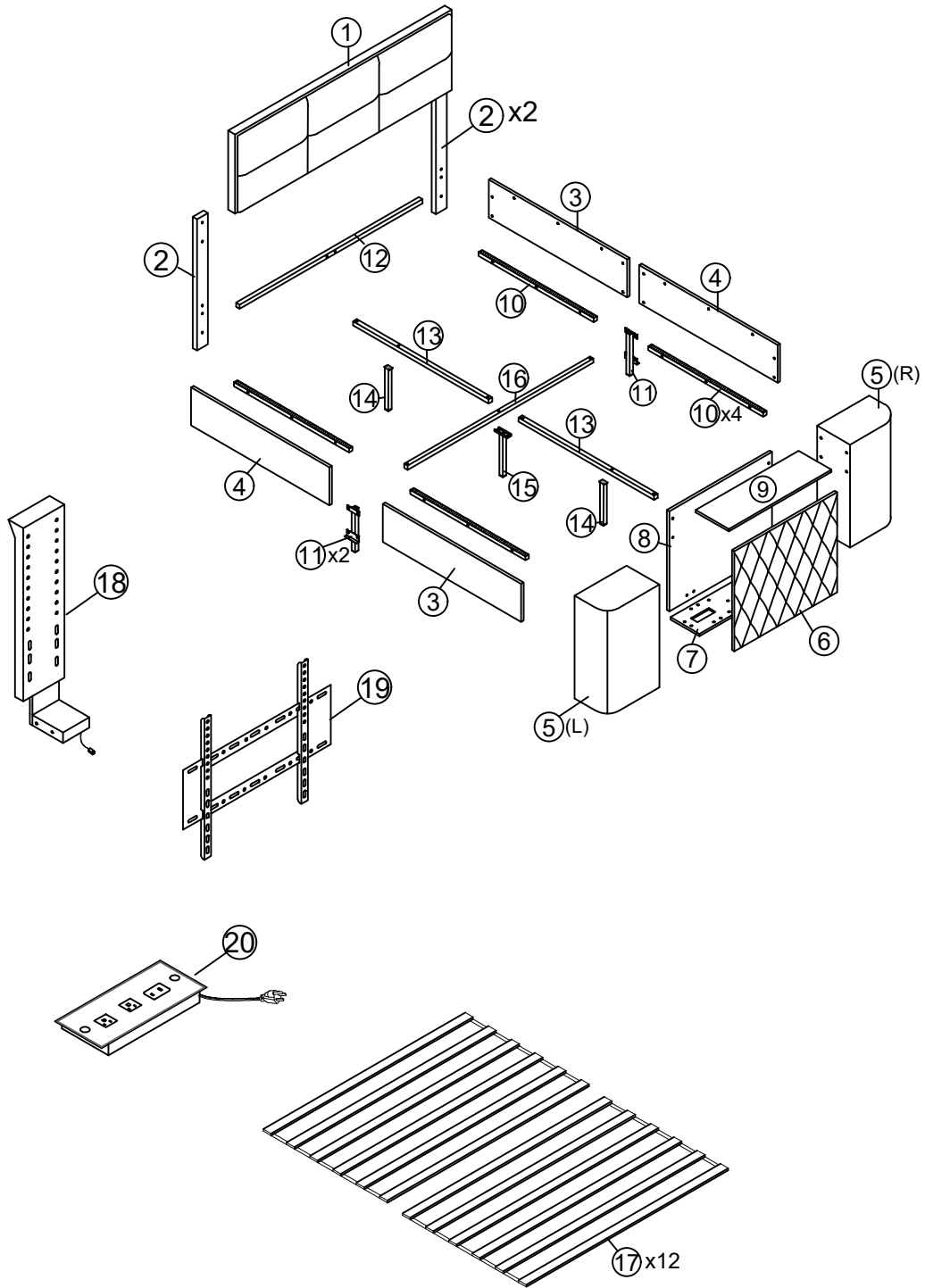
ASSEMBLY INSTRUCTION



This set is included 3 boxes if don't receive full 3 boxes please contact our customer service team.

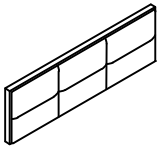

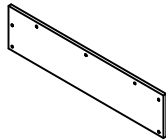
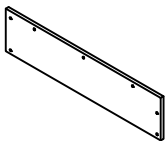
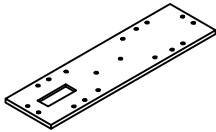
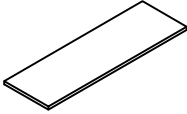
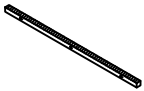




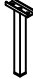
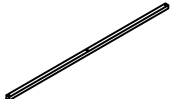
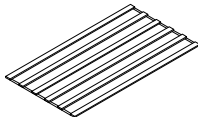
WF317791 / WF317792 / WF317794

Detail View

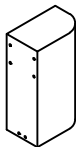
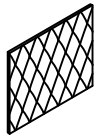
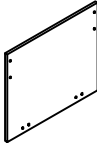


Part List

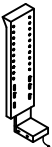
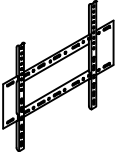
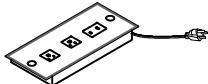
WF317791

<p>1</p>  <p>Head board-1pc</p>	<p>2</p>  <p>Head board legs-2pcs</p>	<p>3</p>  <p>Siderails-2pcs</p>
<p>4</p>  <p>Siderails-2pcs</p>	<p>7</p>  <p>Foot board bottom board-1pc</p>	<p>9</p>  <p>Foot board top board-1pc</p>
<p>10</p>  <p>Side rails support bar-4pcs</p>	<p>11</p>  <p>Side rails support legs-2pcs</p>	<p>12</p>  <p>Head board cross bar-1pc</p>
<p>13</p>  <p>Center support bar-2pcs</p>	<p>14</p>  <p>Middle support leg-2pcs</p>	<p>15</p>  <p>Connected support leg-1pc</p>
<p>16</p>  <p>Cross bar-1pc</p>	<p>17</p>  <p>Slats-12pcs</p>	

WF317792



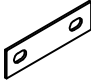


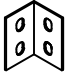
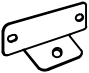
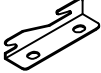

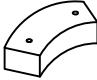




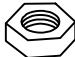

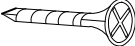
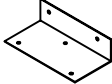


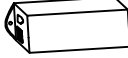
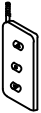

<p>5</p>  <p>Foot board side part-2pcs</p>	<p>6</p>  <p>Foot board outer board-1pc</p>	<p>8</p>  <p>Foot board inner board-1pc</p>
--	---	---

WF317794

<p>18</p>  <p>TV lift-1pc</p>	<p>19</p>  <p>TV hange-1pc</p>	<p>20</p>  <p>Socket-1pc</p>
---	--	--



Hardware List

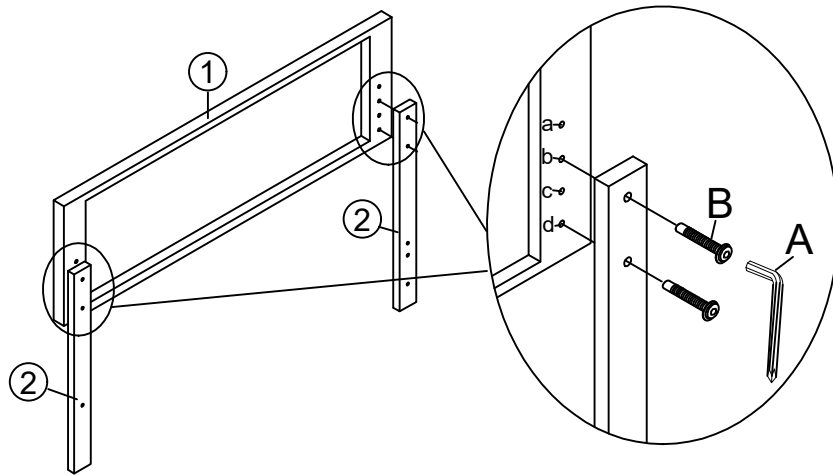
WF317791

<p>A</p>  <p>20*70mm</p>	<p>B</p>  <p>Ø8*50mm</p>	<p>C</p> 
<p>Allen Key(1pc) Bolts(4pcs) Two hole iron(2pcs)</p>		
<p>D</p>  <p>Ø8*18mm</p>	<p>E</p>  <p>Ø8*40mm</p>	<p>F</p>  <p>77*33**33*3mm</p>
<p>Bolts(78pcs) Bolts(21pcs) "7" Connector(6pcs)</p>		
<p>G</p>  <p>28*32*86*2mm</p>	<p>H</p> 	<p>I</p>  <p>H:30mm</p>
<p>Center support bar fittings(2pcs) Hinge(8pcs) Bed legs(1pc)</p>		
<p>J</p> 	<p>K</p>  <p>Ø4*40mm</p>	<p>L</p> 
<p>Bed legs(2pcs) Nails(5pcs) Hinge(2pcs)</p>		
<p>M</p>  <p>Ø3*16mm</p>	<p>N</p> 	<p>O</p> 
<p>Nails(20pcs) Allen Key(1pc) Nuts(4pcs)</p>		
<p>P</p>  <p>Ø6*15mm</p>	<p>Q</p>  <p>Ø4*20mm</p>	<p>R</p> 
<p>Bolts(8pcs) Nails(2pcs) Center support bar fittings(2pcs)</p>		
<p>S</p> 	<p>T</p> 	<p>U</p> 
<p>Bolts(2pcs) Power plug(1pc) Control Box (1pc)</p>		
<p>V</p> 	<p>W</p> 	
<p>Remote control(1pc) Remote control holde(1pc)</p>		




Remark: We recommend you assemble your bed in the flat ground.

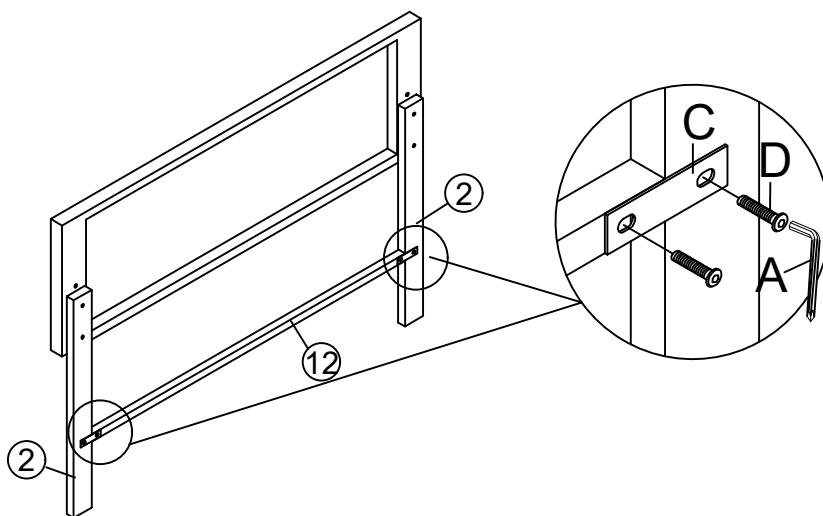
Step 1

A	B
	 M8X50mm 4PCS





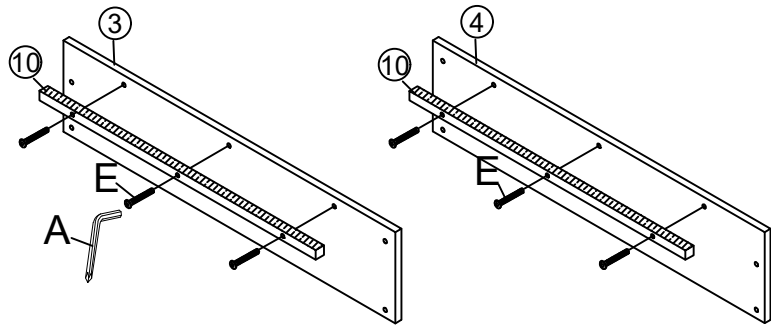
Step 2

A	C	D
	 2PCS	 M8X18mm 4PCS





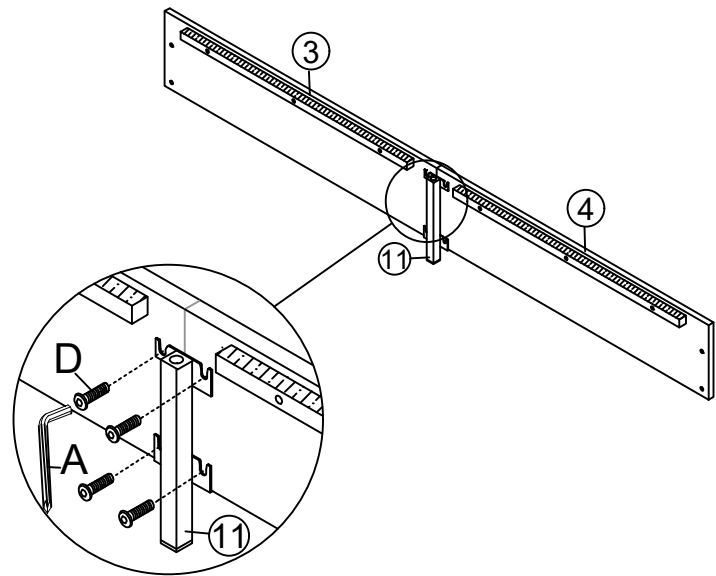
Step 3X2

A 	E  M8X40mm 12PCS
--	--






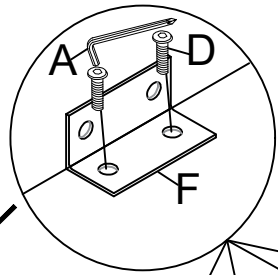
Step 4X2

A 	D  M8X18mm 8PCS
--	---

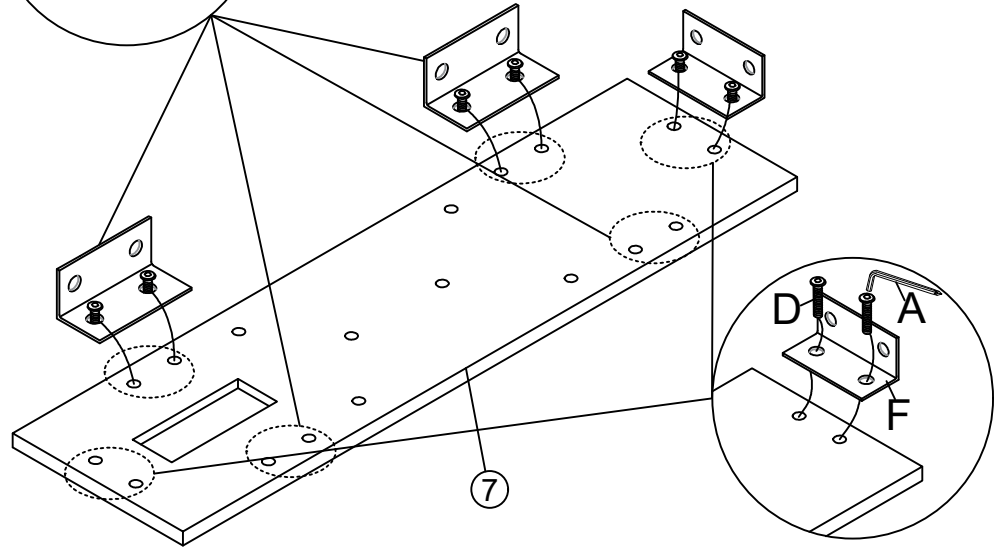


Step 5




A 	D  M8X18mm 12PCS	F  6PCS
--	---	---

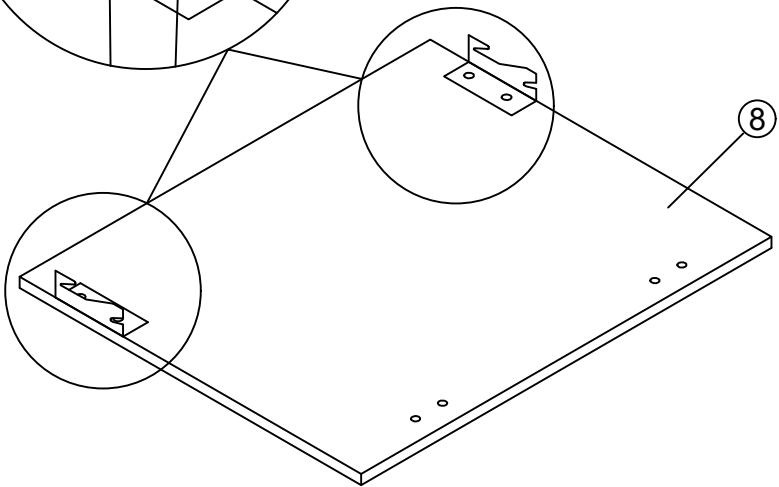
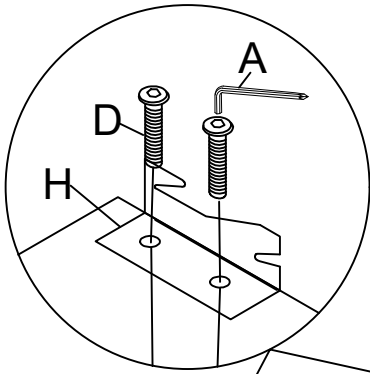


In order to facilitate subsequent assembly, please do not screw in all the screws, but leave 50% of the gap.





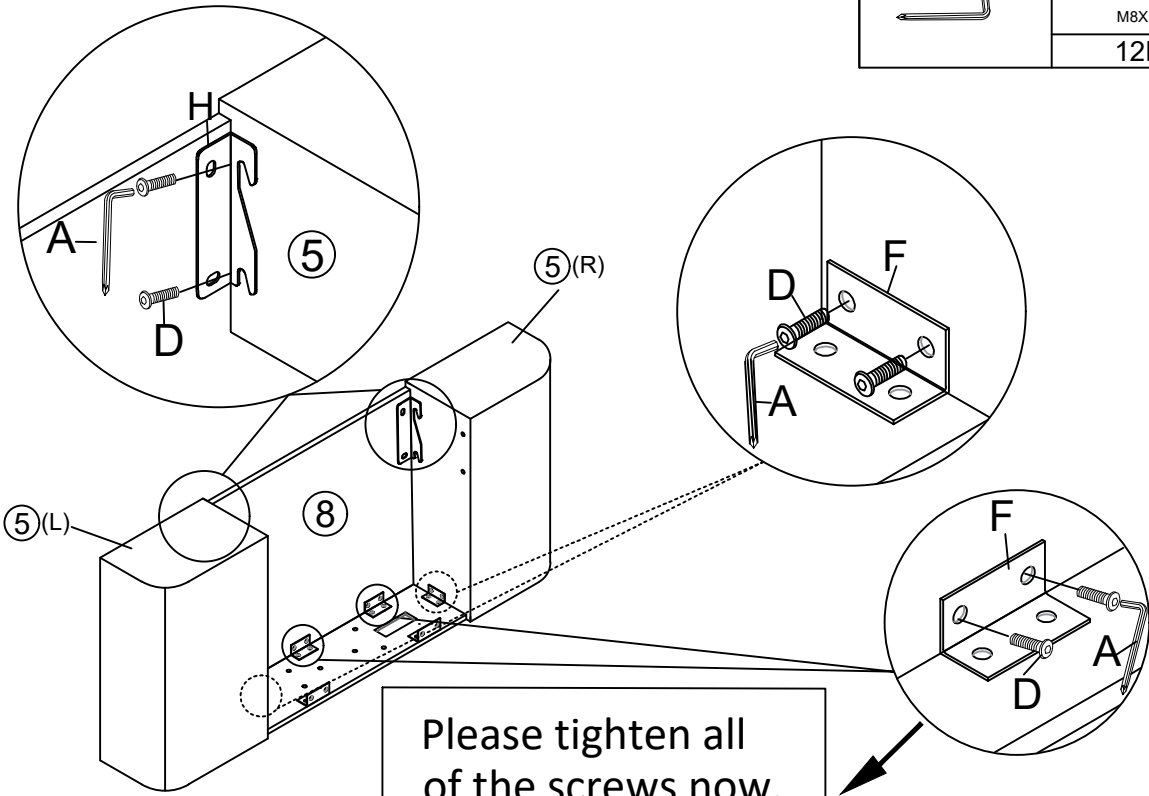
Step 6

A 	D  M8X18mm 4PCS	H  2PCS
--	--	---



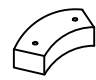
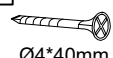


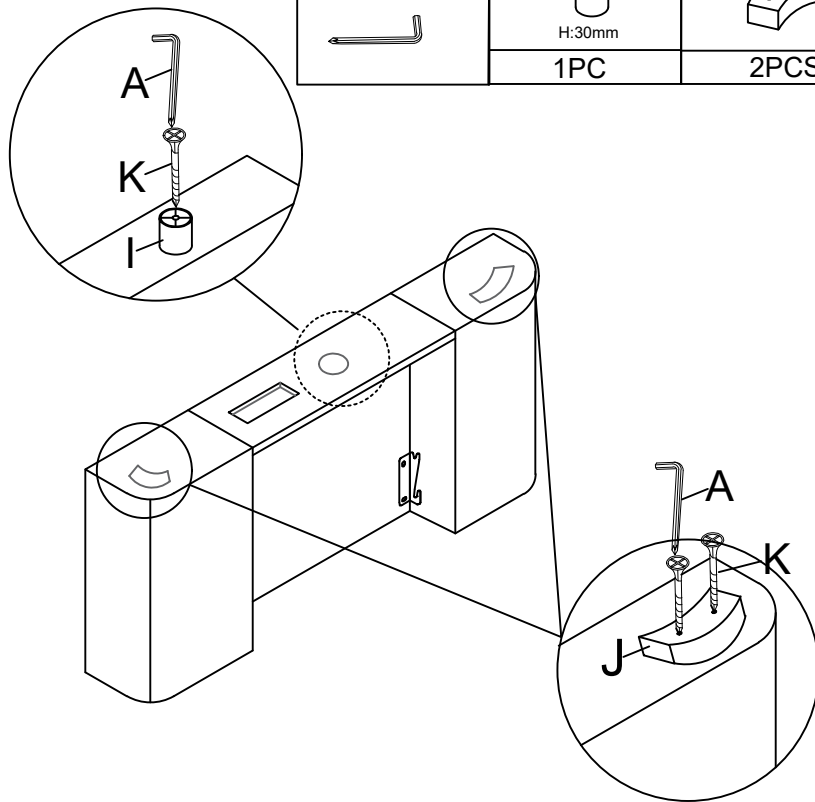
Step 7

A 	D  M8X18mm 12PCS
---	---






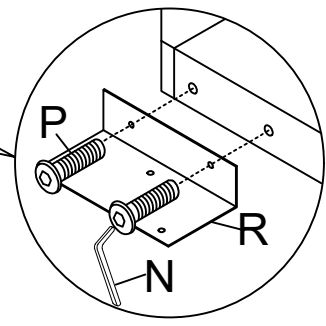
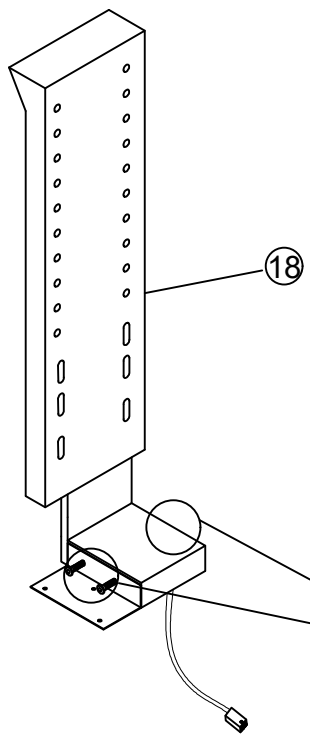
Step 8

A 	I  H:30mm 1PC	J  2PCS	K  Ø4*40mm 5PCS
---	--	---	--


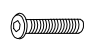


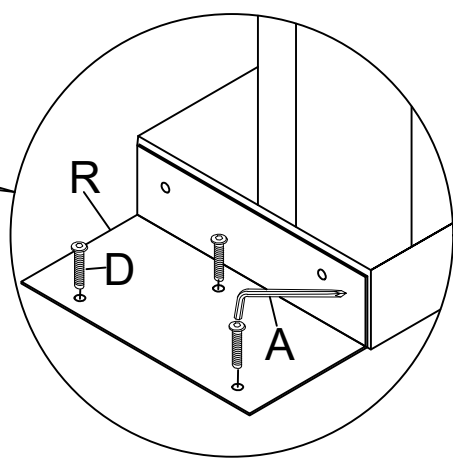
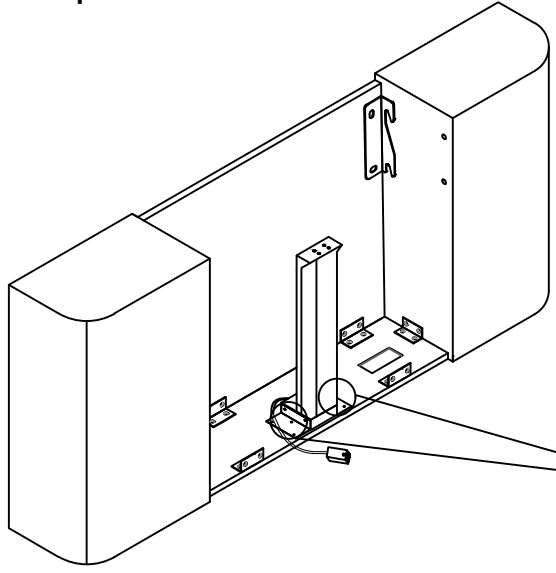
Step 9

N 	P  Ø6*15mm 4PCS	R  2PCS
--	--	---


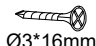


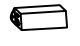


Step 10

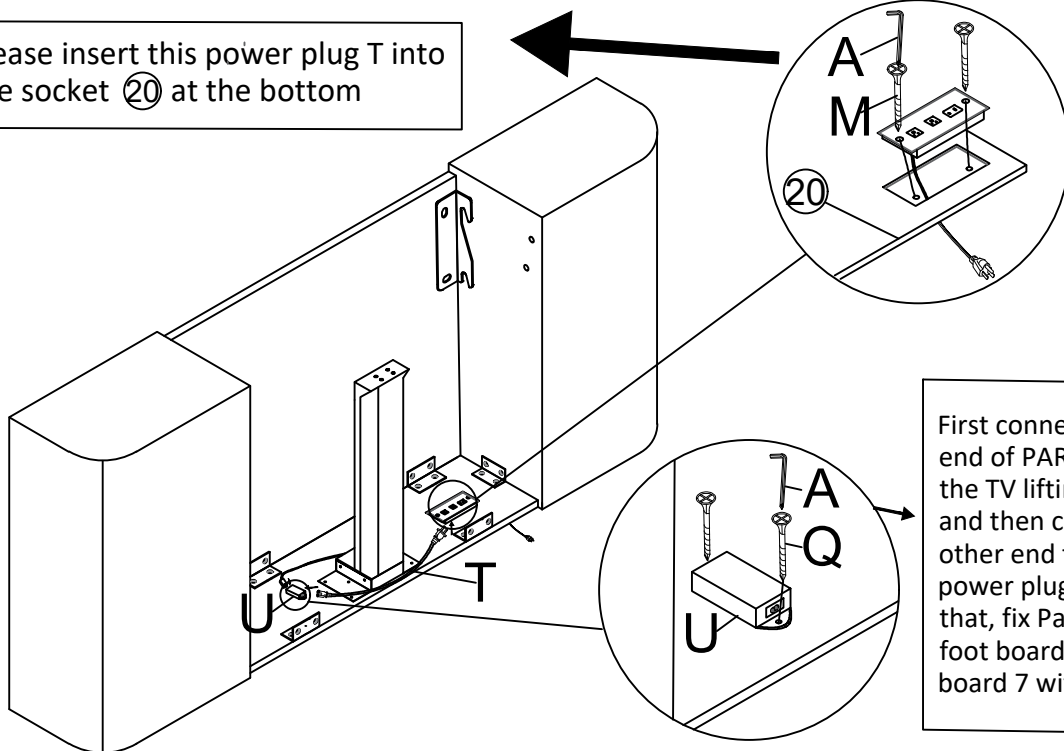
A 	D  M8X18mm 6PCS
---	--



Step 11




A 	M  Ø3*16mm 2PCS	Q  Ø4*20mm 2PCS	T  1PC	U  1PC
---	--	---	--	--

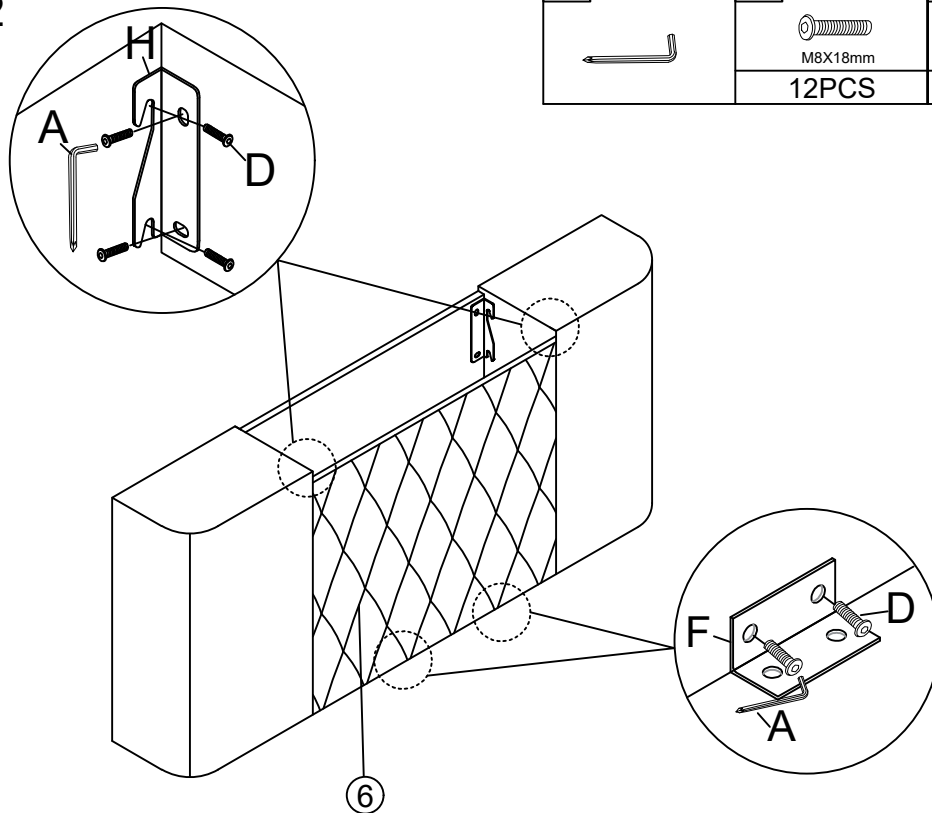
Please insert this power plug T into the socket ②0 at the bottom






First connect one end of PART U to the TV lifting system, and then connect the other end to the power plug T. After that, fix Part U to the foot board bottom board 7 with nails Q.

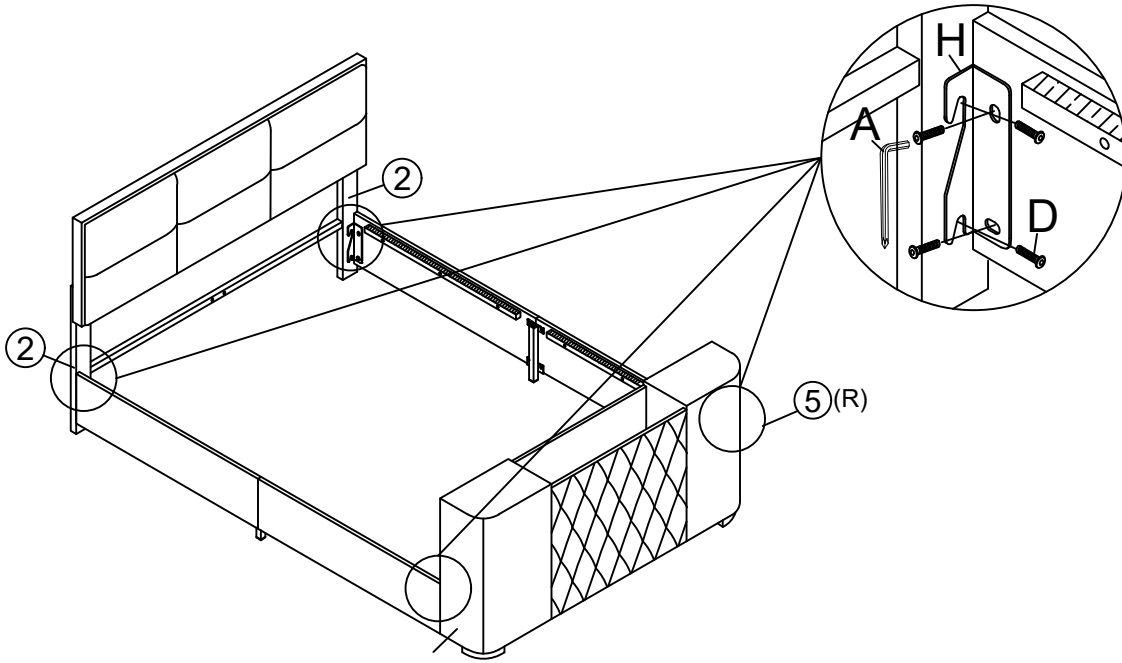
Step 12

A 	D  M8X18mm 12PCS	H  2PCS
---	---	---






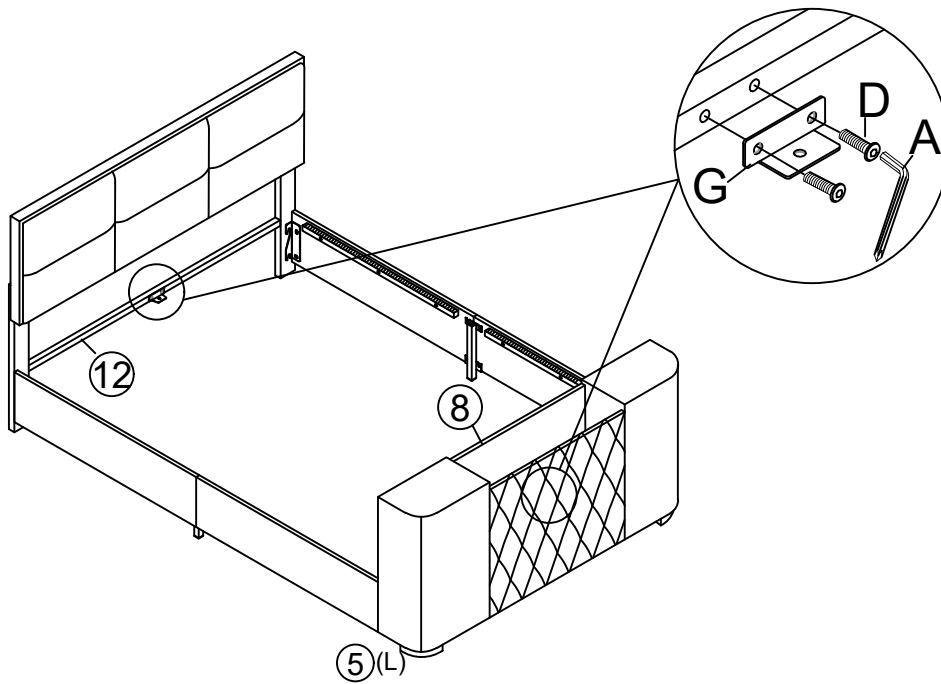
Step 13X2

A 	D  M8X18mm 16PCS	H  4PCS
--	---	---





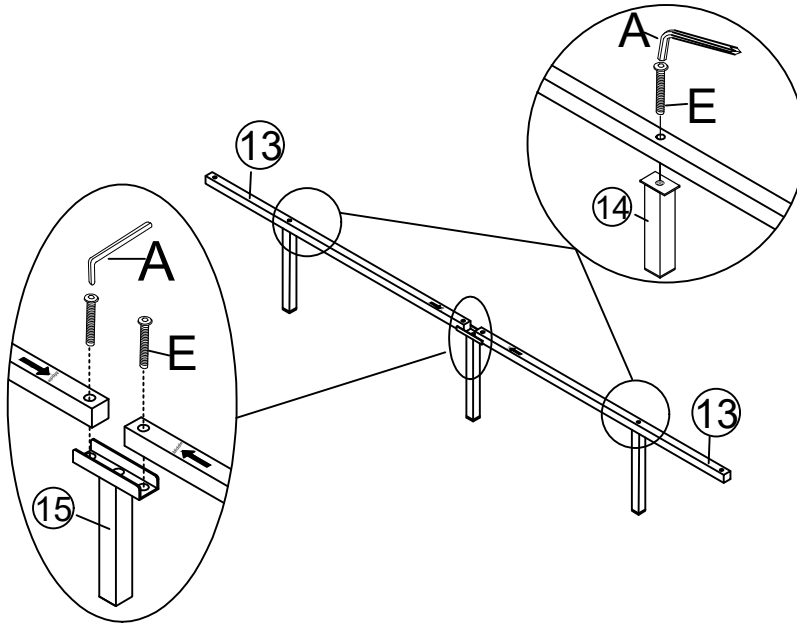
Step 14

A 	D  M8X18mm 4PCS	G  2PCS
--	--	---





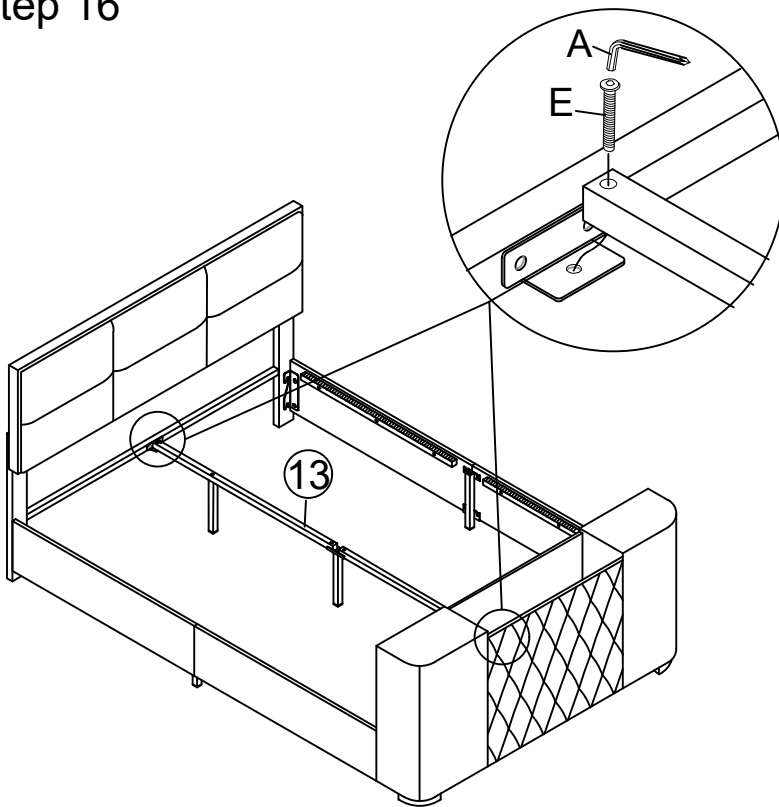
Step 15

A	
E	 M8X40mm
4PCS	





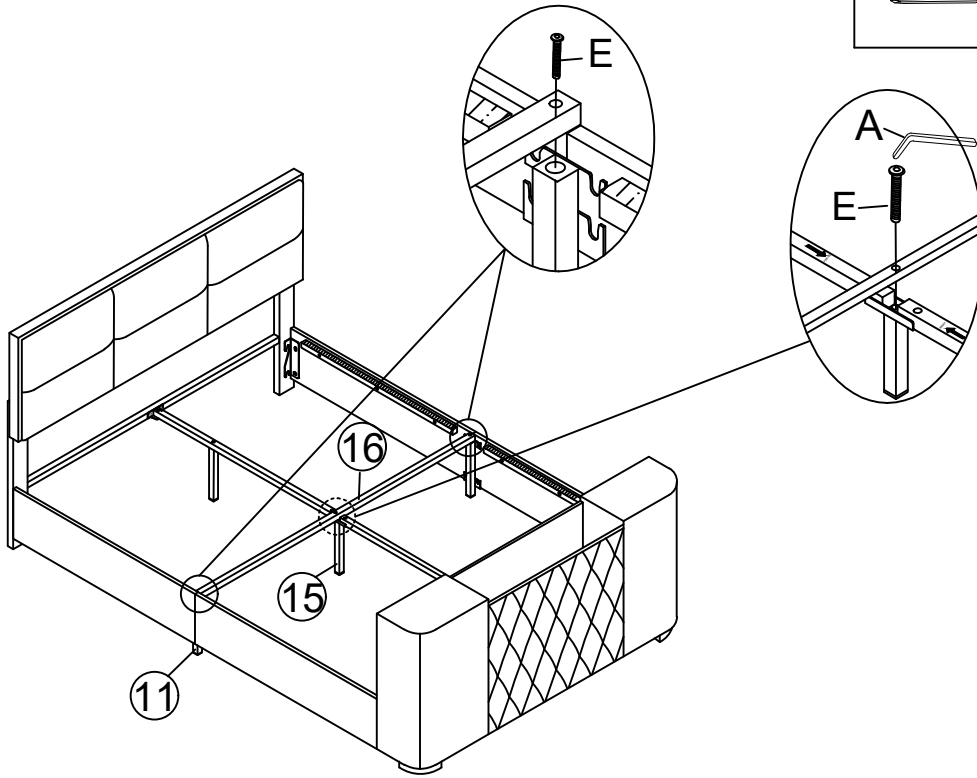
Step 16

A	
E	 M8X40mm
2PCS	

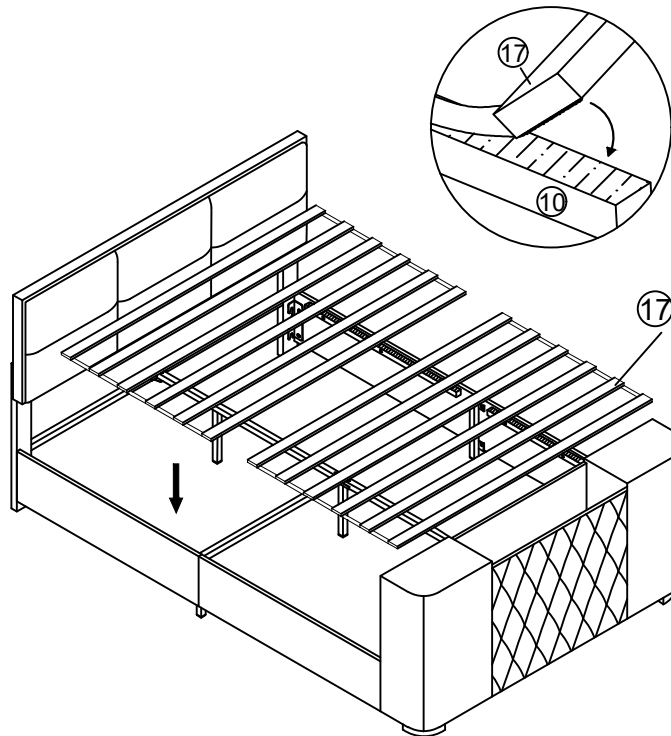


Step 17


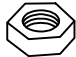

A 	E  M8X40mm 3PCS
---	--

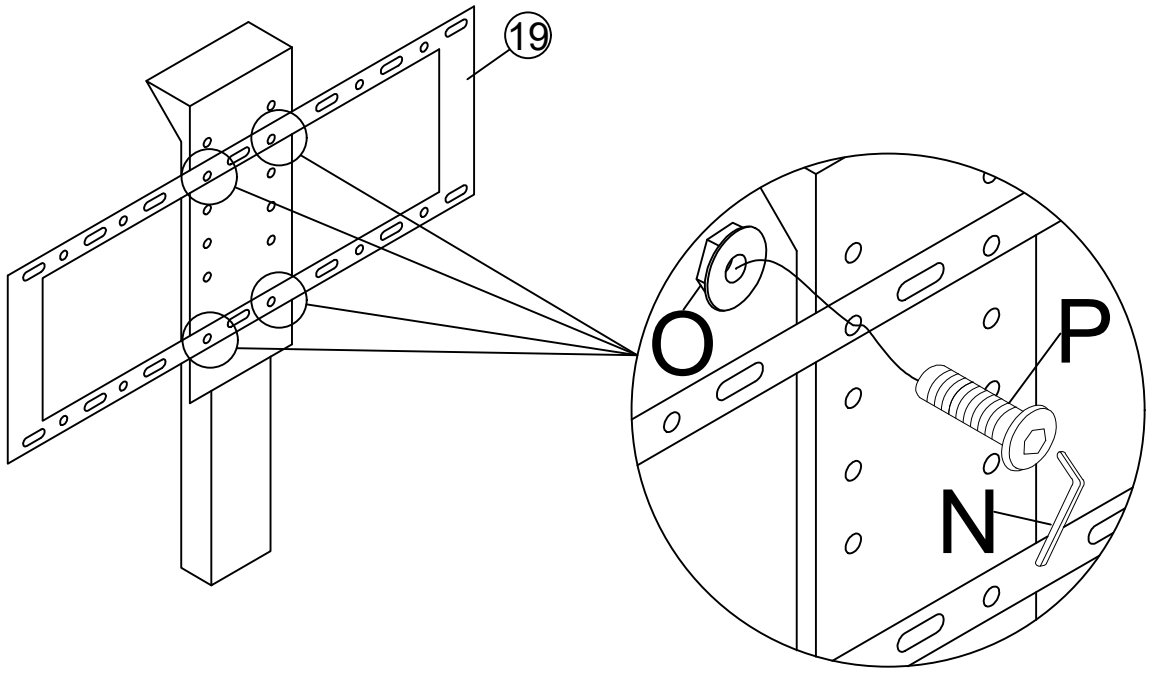


Step 18


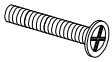


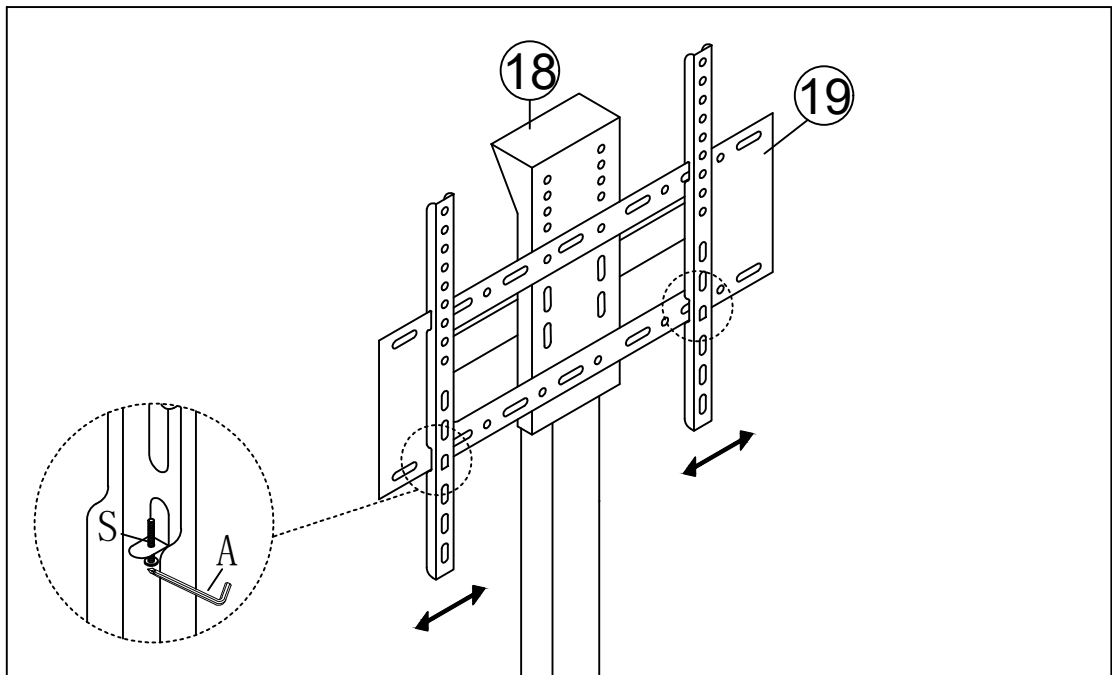
Step 19

N	O	P
		 Ø6*15mm
	4PCS	4PCS



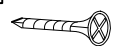


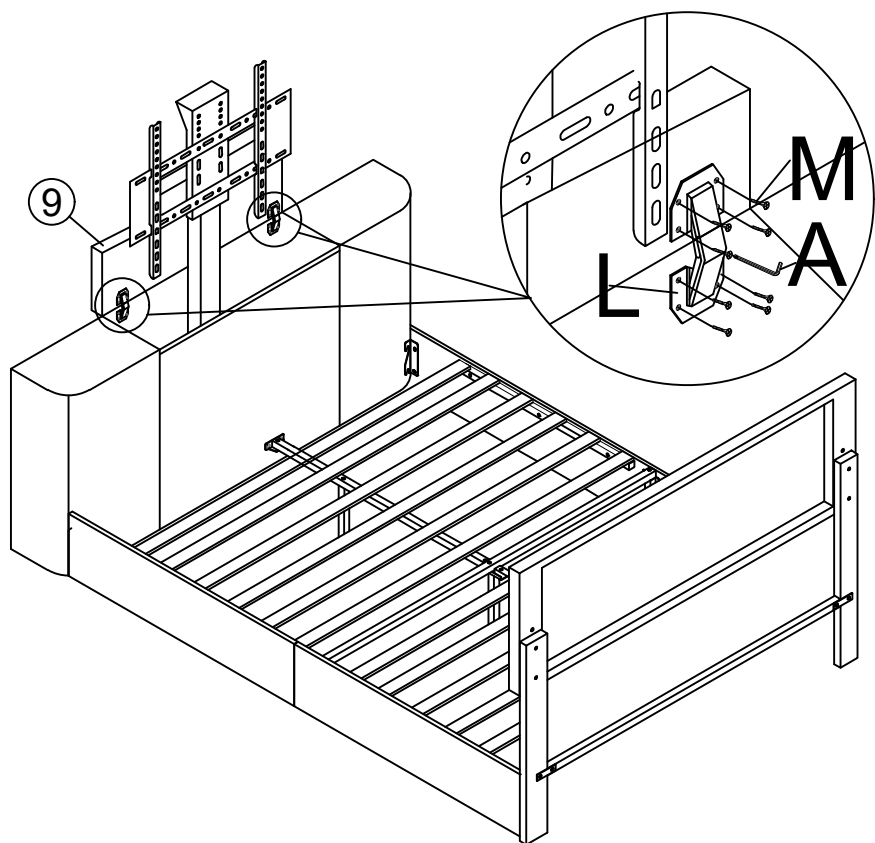
Step 20

A	S
	 2PCS







Step 21

A 	L 	M  Ø3*16mm
	2PCS	16PCS



Step 22

A 	M  Ø3*16mm	V 	W 
	2PCS	1PC	1PC

