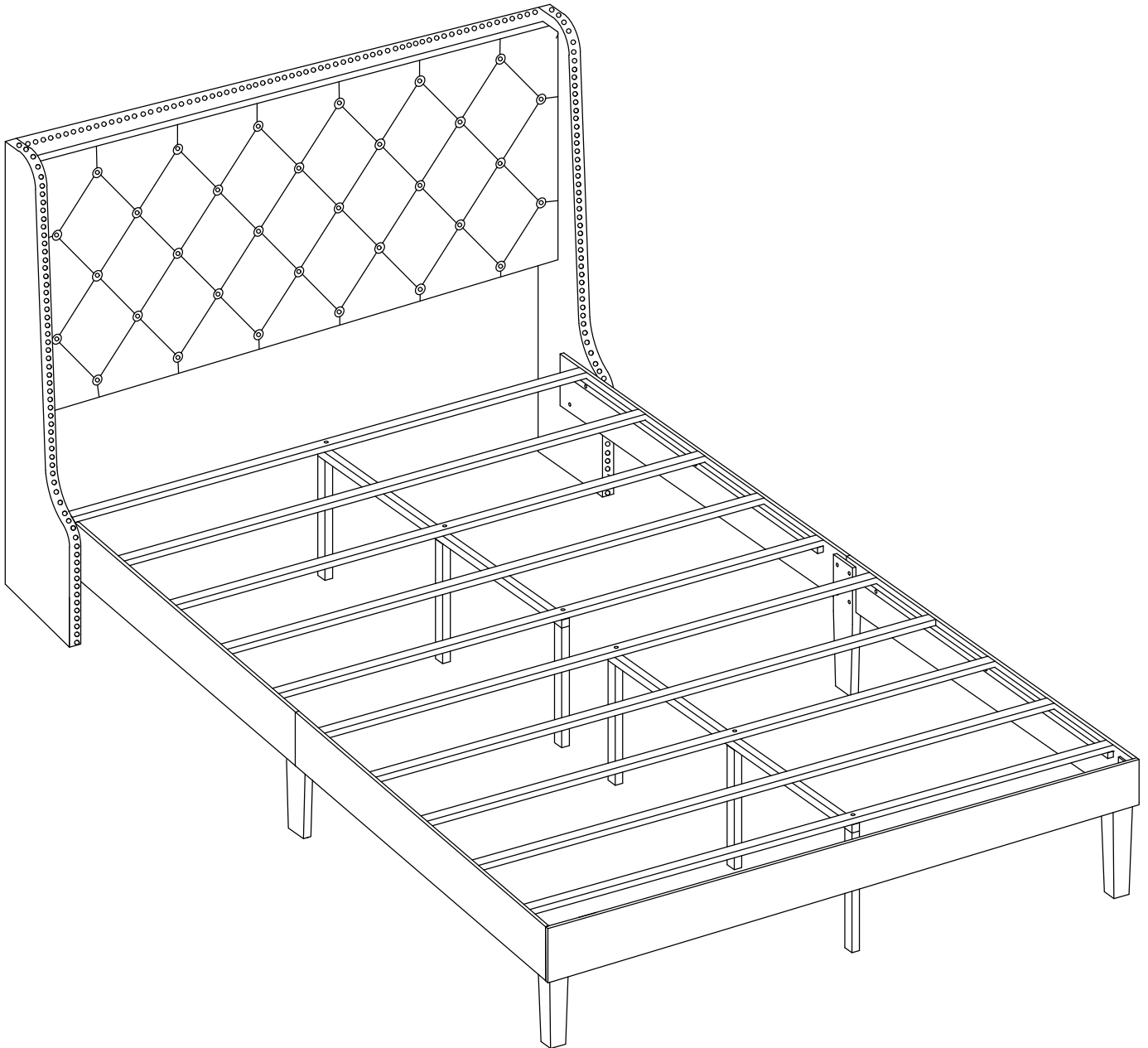


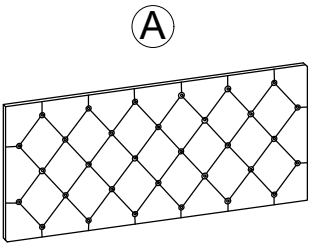
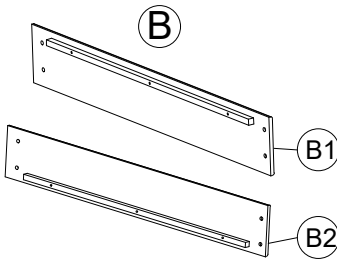
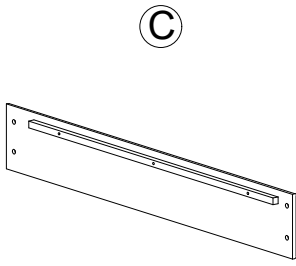
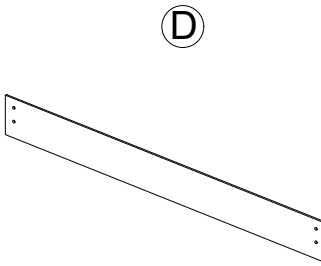
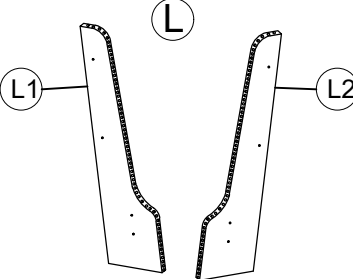
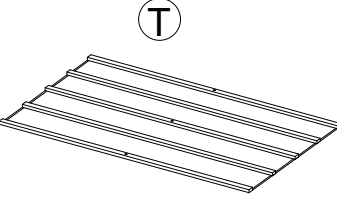
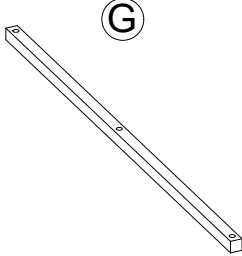
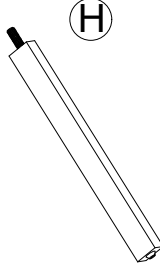
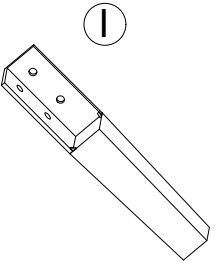
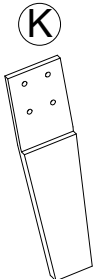
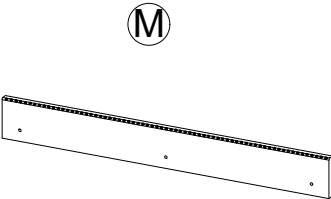
SNCJYN-RB06BBK









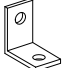
Instruction Manual

Thank you for shopping with us!

If any parts is missing, broken upon receipt or you need any help from us. For the FASTEST solutions, please FIRSTLY CONTACT US at our after-sales email: CSsince1987@hotmail.com!

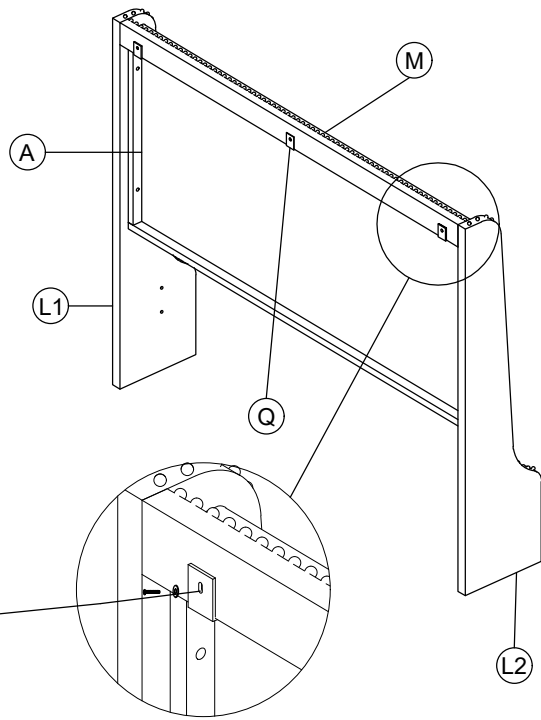
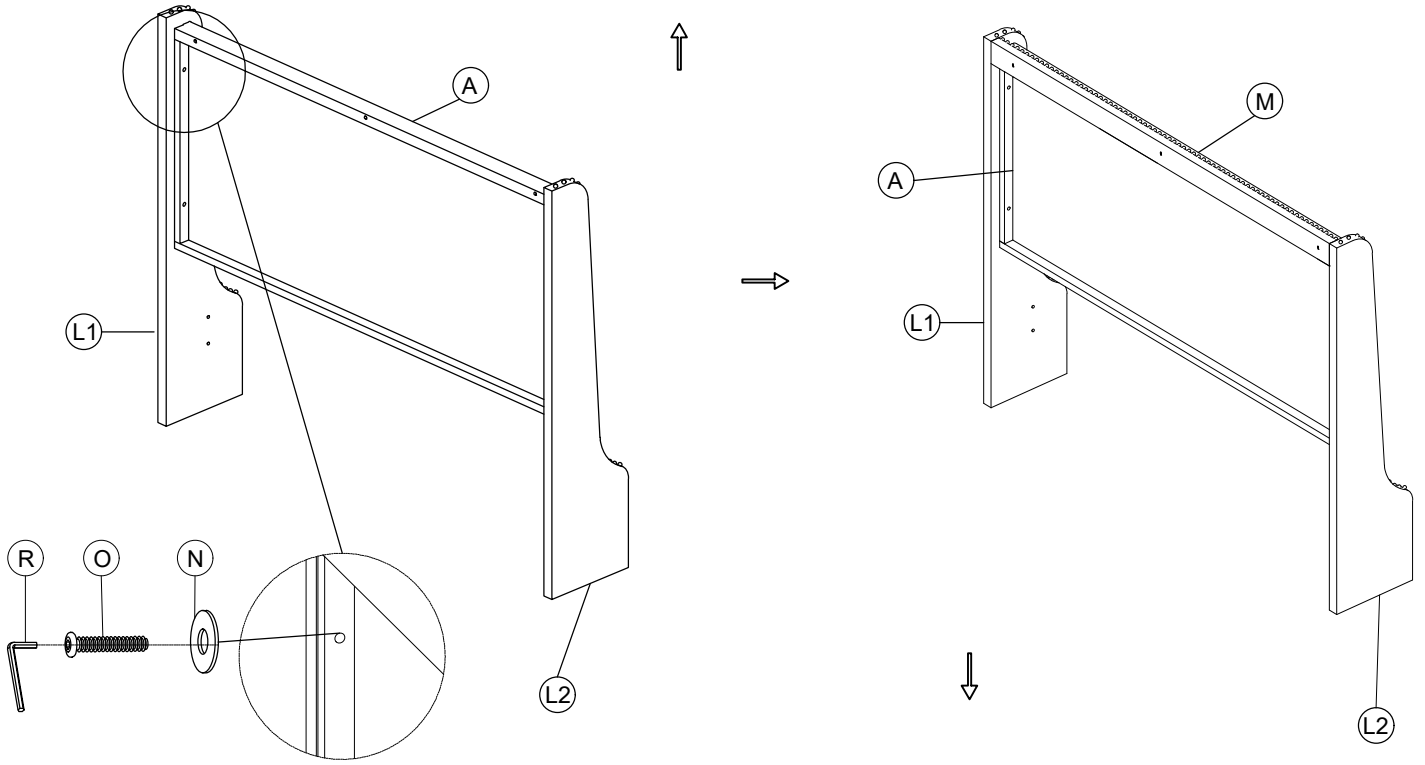
 <p style="text-align: center;">A</p>	 <p style="text-align: center;">B</p>	 <p style="text-align: center;">C</p>	 <p style="text-align: center;">D</p>
Bed headboard 1 pcs	Bed side 1 pair (L/R)	Bed side 2 pcs	Footboard 1 pcs
 <p style="text-align: center;">L</p>	 <p style="text-align: center;">T</p>	 <p style="text-align: center;">G</p>	 <p style="text-align: center;">H</p>
Legs for the headboard 2 pcs	Bedrail with holes 2 set	Bedrail support rail 2 pcs	Bedrail support legs 6 pcs
 <p style="text-align: center;">I</p>	 <p style="text-align: center;">K</p>	 <p style="text-align: center;">M</p>	
Legs for the footboard 2pcs	Middle leg of the bed 2 pcs	Top rail of the headboard 1pcs	

HARDWARELIST

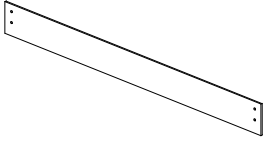
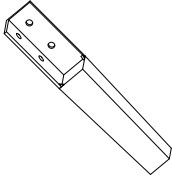


NO.	Drawing	Description	Qty
O		Screw(M8x43mm)	8pcs
P		Screw(M8x25mm)	8pcs
E		Screw(M8x30mm)	8pcs
F		Screw(M8x20mm)	6pcs
N		Gasket(M8x19mm)	30pcs
R		Allen key (4mm)	1pcs
Q		Bas 55x55x35mm	3pcs

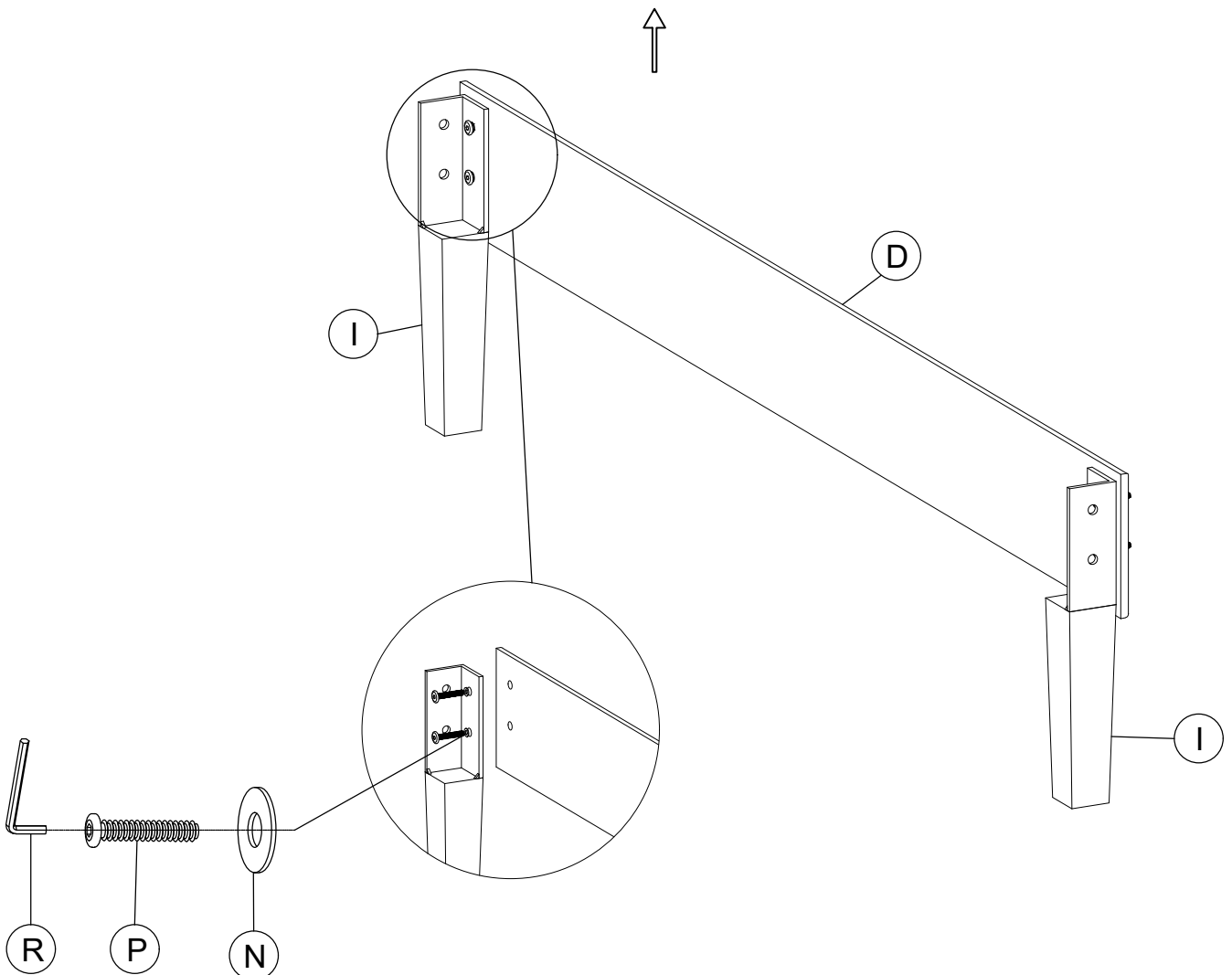
Step 1: Fix the legs to the headboard.

A	L1	L2	M	O*4	F*6	N*10	R	Q*3
				M8*43mm	M8*20mm	M8*19mm	Allen key 4mm	Bas 55*55*35mm

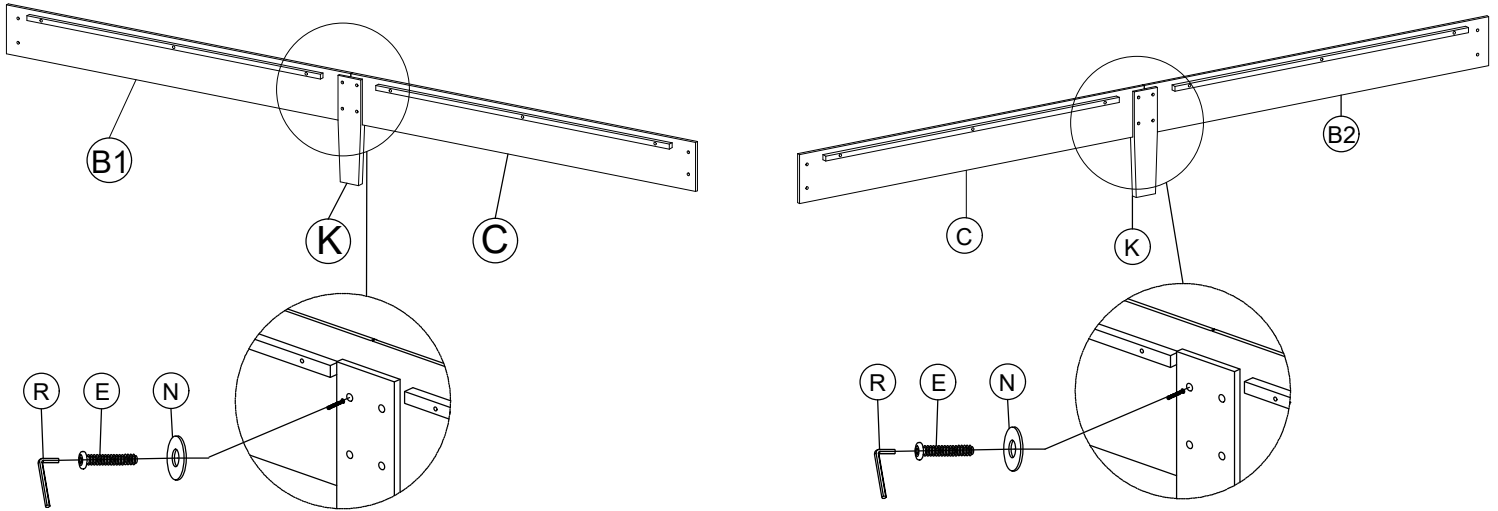
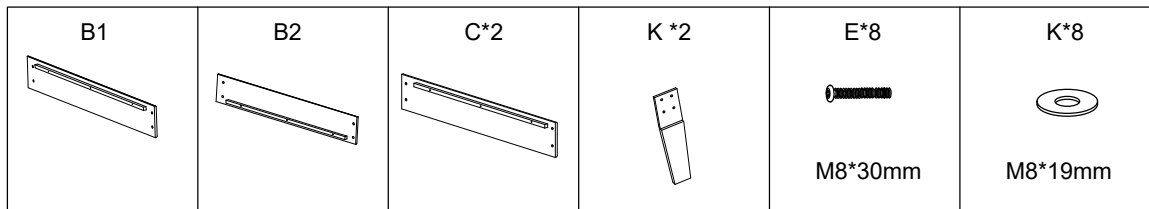


Step 2: Fix the legs to the footboard.

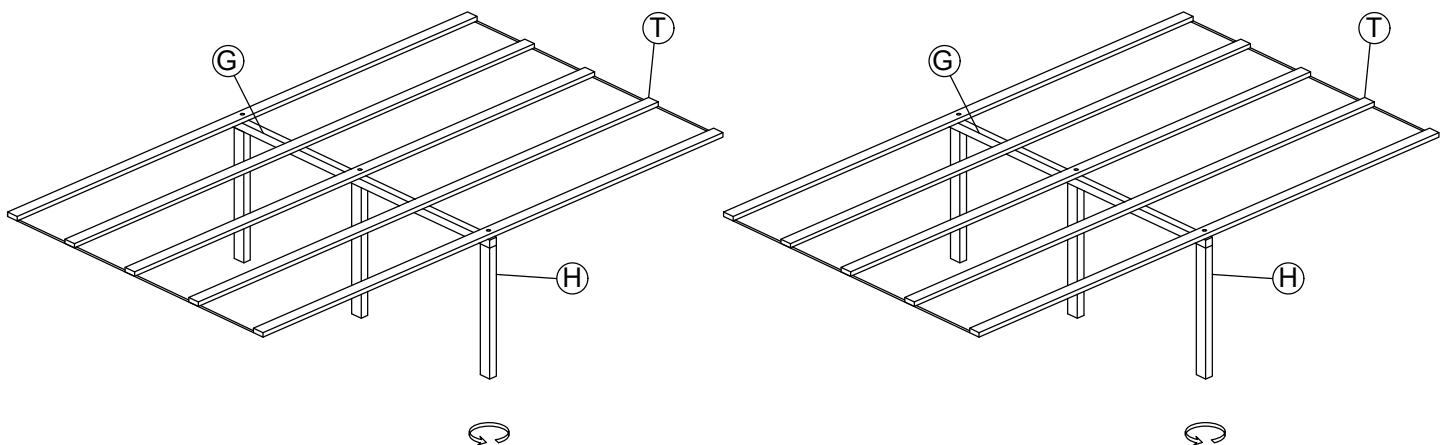
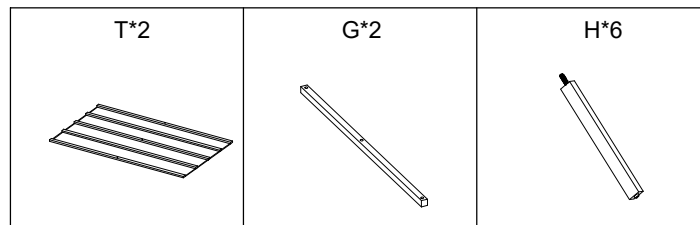
<p>D</p> 	<p>I*2</p> 	<p>P*4</p>  <p>M8*25mm</p>	<p>N*4</p>  <p>M8*19mm</p>
--	--	--	---



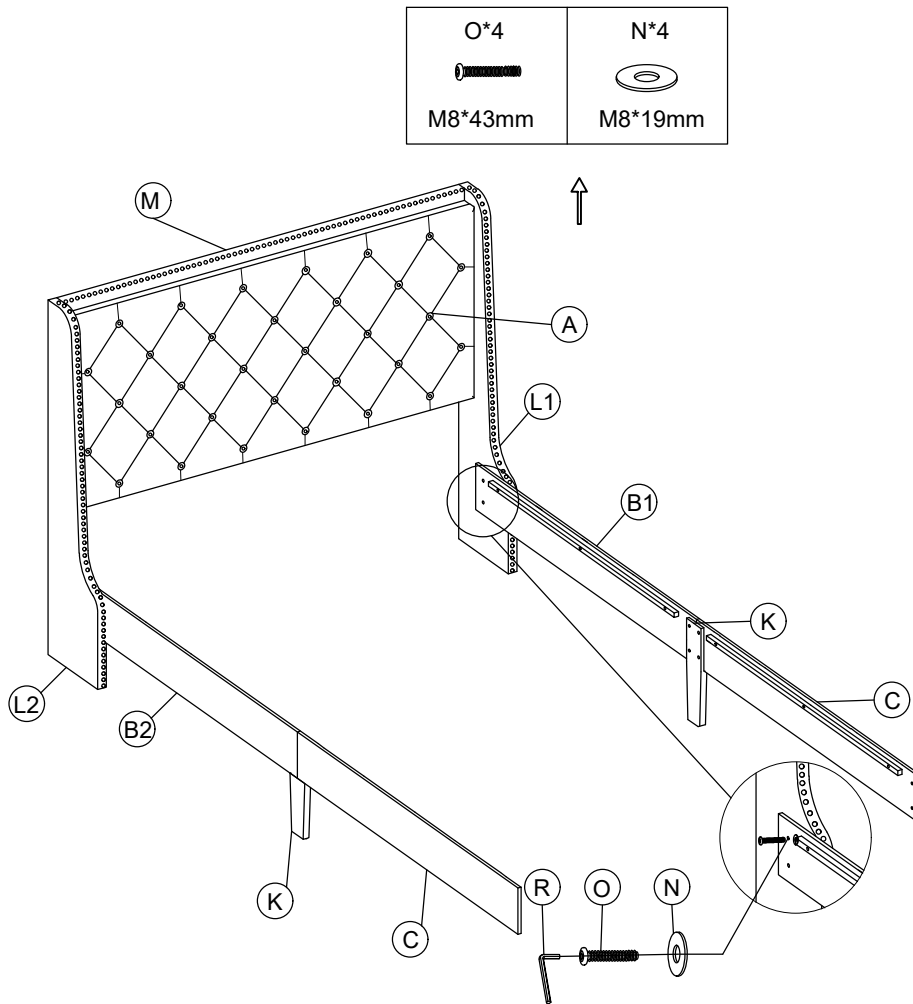
Step 3: Connect the bed sides together with the middle leg ks.



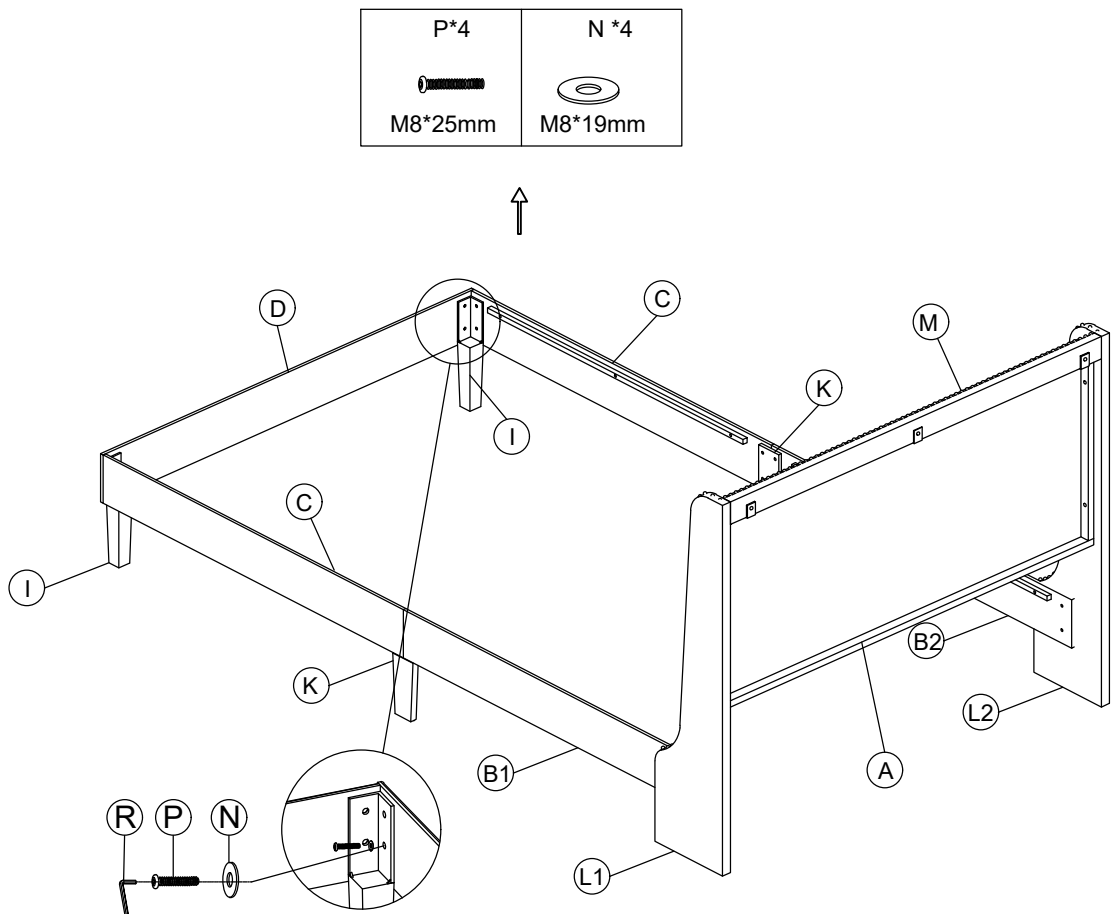
Step 4: Fix the bedrails to the bed support rail and the bedrail support legs.



Step 5: Attach the bed sides to the headboard and tighten.



Step 6: Fix the legs of the footboard to the bed sides.



Step 7: Put the bedrail sets on bed frame and the assembly is completed.

