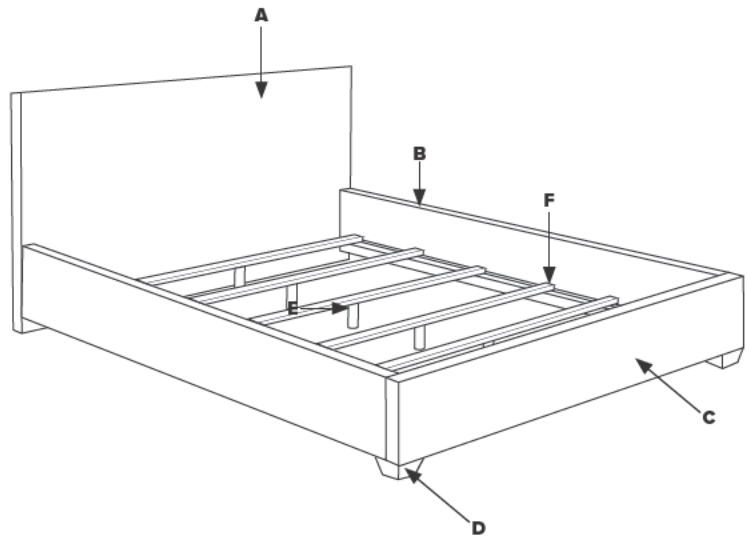



# STANDARD BED

FOR ALL BED SIZES

## Components

ITEM	DESCRIPTION	QTY
A	Headboard	1
B	Upholstered Side Rail	2
C	Upholstered Foot Rail	1
D	Wood Corner Legs	2
E	Wood Support Legs <i>(not included in twin size)</i>	5
F	Horizontal Slats	5



(H1) x 5 — 1" x 1/4" washer 

(H2) x 14 — 2" screw 

*Please note: assembly is recommended with two people. You will need a phillips head screwdriver to assemble your bed frame.*

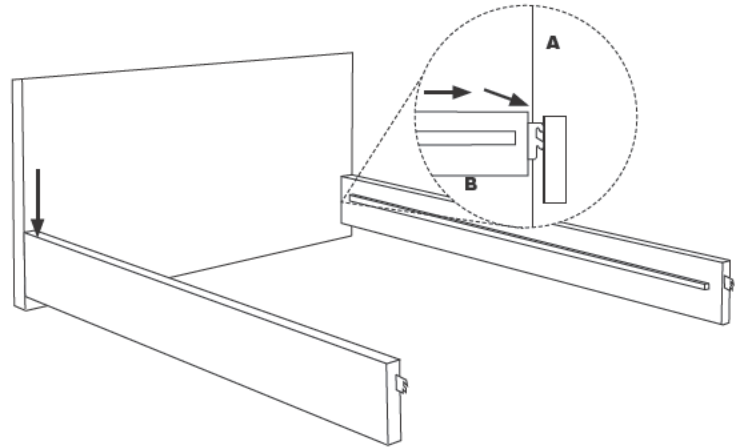
# Step 1

## 1.1

Align hooks on (B) side rails with (A) headboard and slide in and down to secure.

*Please note: (B) Side rails will line up flush with front of (A) headboard once secured properly.*

*We recommend one person holds (A) headboard while another secures (B) side rails.*



## 1.2 & 1.3

### 1.2

Carefully attach (D) corner legs to (C) foot rail. Align footrail corner to leg corner and use (H2) screws to firmly screw legs into footrail.

*Please note: This requires to screw directly into the upholstered footrail.*

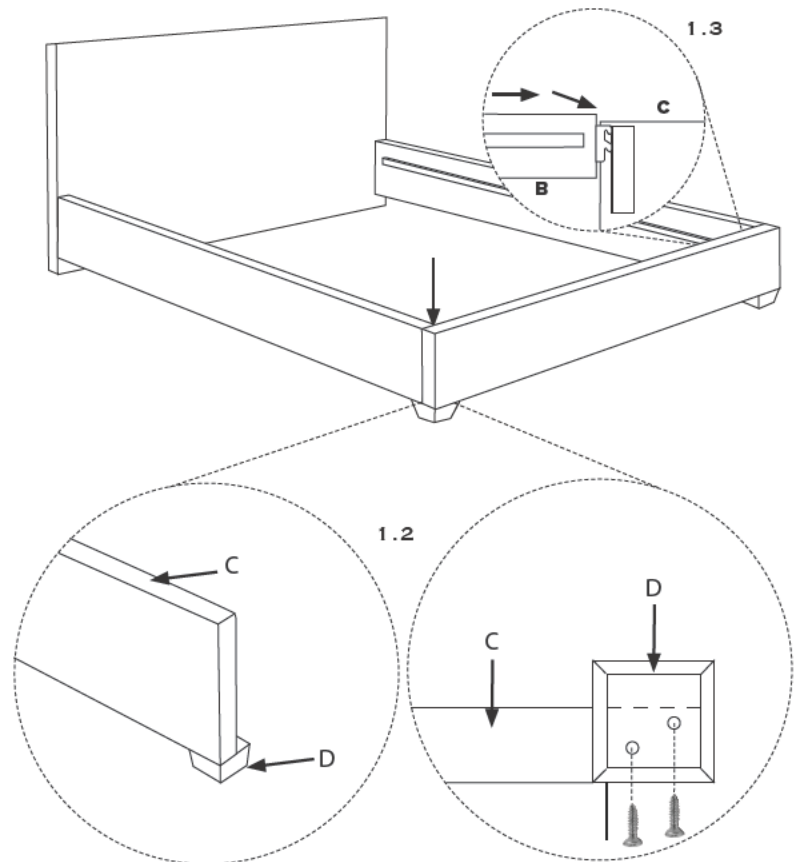
*Overhang of corner legs will occur. Used for side rails to sit in place.*

### 1.3

Align hooks on (B) side rails with (C) upholstered foot rail and slide in and down to secure.

*Please note: (B) Side rails will line up flush with front of (C) upholstered foot rail once secured properly.*

*We recommend one person holds (C) foot rail while another secures (B) side rails.*



## Step 2

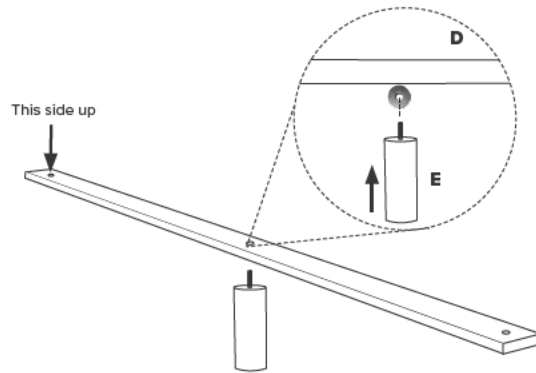
### 2.1

---

Attach (E) wood support legs to (F) horizontal slats using (H1) washers.

**Wood support legs are not included with twin size.**

*Please note: (F) horizontal slats face up with visible counterbore hole. Required for step 2.3 once adhered.*

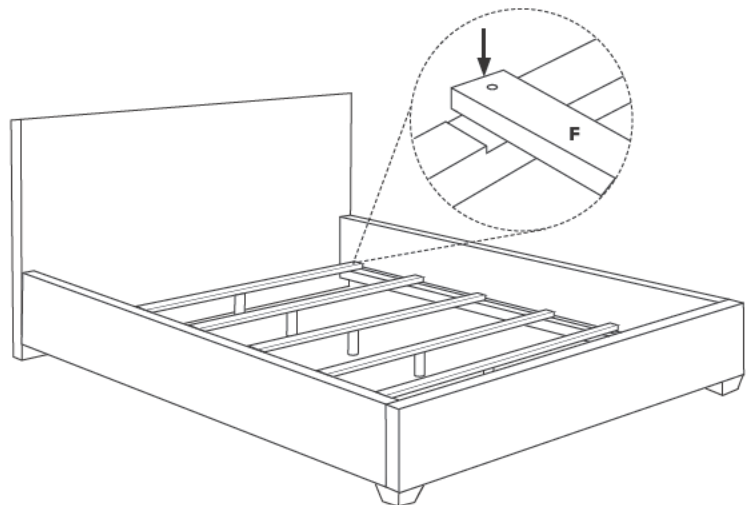


### 2.2

---

Lay each (F) horizontal slats onto inside rail slat bearer supports.

*Please note: Each slat should rest in recessed locations on inside slat bearer supports.*

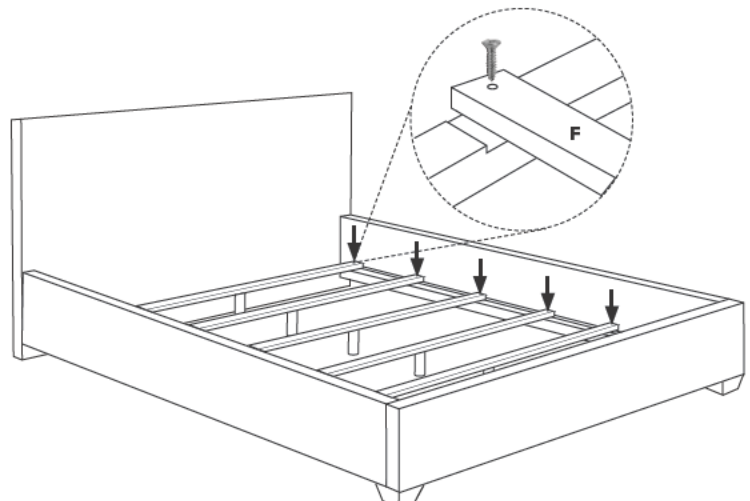


### 2.3

---

Finish by firmly securing (F) horizontal slats onto inside slat bearer supports using (H2) screws.

*Please note: We recommend one person holds (F) horizontal slats in place, while another firmly secures.*



# Warranty

## LIMITED WARRANTY

---

We guarantee its upholstered furniture against defects in construction for a period of one (1) year. When a structural defect is brought to our attention, we will repair or replace it at our option at no charge to the customer (includes parts and labor, not transportation costs). Fabric wearability for upholstered furniture is not covered by the warranty. Vacuum for regular cleaning.

**Please dispose of plastic bag(s) and carton(s) responsibly.**

## LIMITE DE GARANTIA

---

garantiza sus muebles tapizados contra defectos en construcción por un periodo de un (1) año. Cuando un problema de estructura es traído a nuestra atención, nosotros repararemos o remplazaremos sin ningún cargo a nuestro cliente (incluye partes y trabajo, no costo en transportación). Descoloramiento del material de muebles tapizados no es cubierto por la garantía. Regularmente puede aspirar.

**Por favor tirar bolsa(s) y caja(s) responsablemente.**

## GARANTIE LIMITÉE

---

garantit son meubles rembourrés contre les défauts de construction pour une durée d'un (1) an. Lorsqu'un défaut structurel est porté à notre attention, nous le réparerons ou le remplaçons à notre discrétion sans frais pour le client (comprend les pièces et la main d'œuvre, pas les frais de transport). La portabilité du tissu pour les meubles rembourrés n'est pas couverte par la garantie. Passez l'aspirateur pour un nettoyage régulier.

**Veillez jeter le(s) sac(s) en plastique et le(s) carton(s) de manière responsable.**