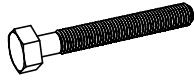


ASSEMBLY INSTRUCTIONS

Page 01 of 02

HARDWARES



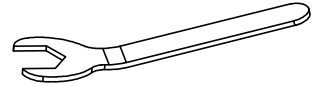
A x 8
M10 x 70



B x 8
M10

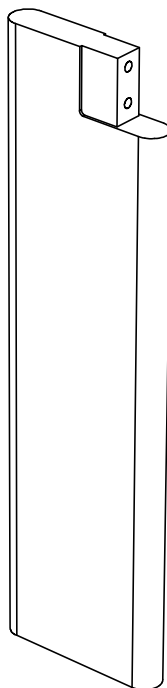
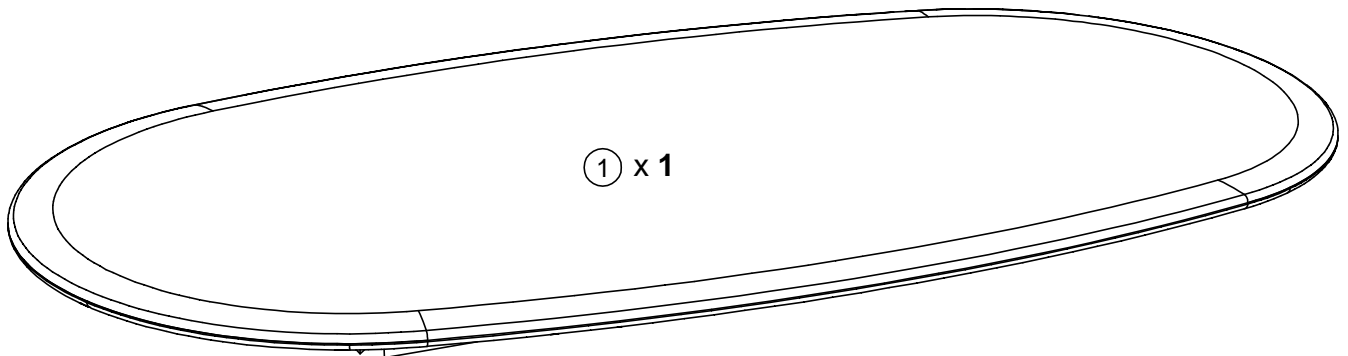


C x 8
M10



Z x 1
M10

PARTS



② x 4

