

BRIDGE

BATHROOM FAUCET - LEVER HANDLES

SKU: 907536



FEATURES

Installation Type: Bridge
Handle Type: Lever
Overflow Hole: Yes
Design: Traditional
Faucet Material: Brass
Ceramic Disc Cartridges: Yes
Hot and Cold Indicators: No
Drain Included: Yes
Maximum Flow Rate 1.2 gpm (4.5 L/min)
@ 60 psi

CONTENTS

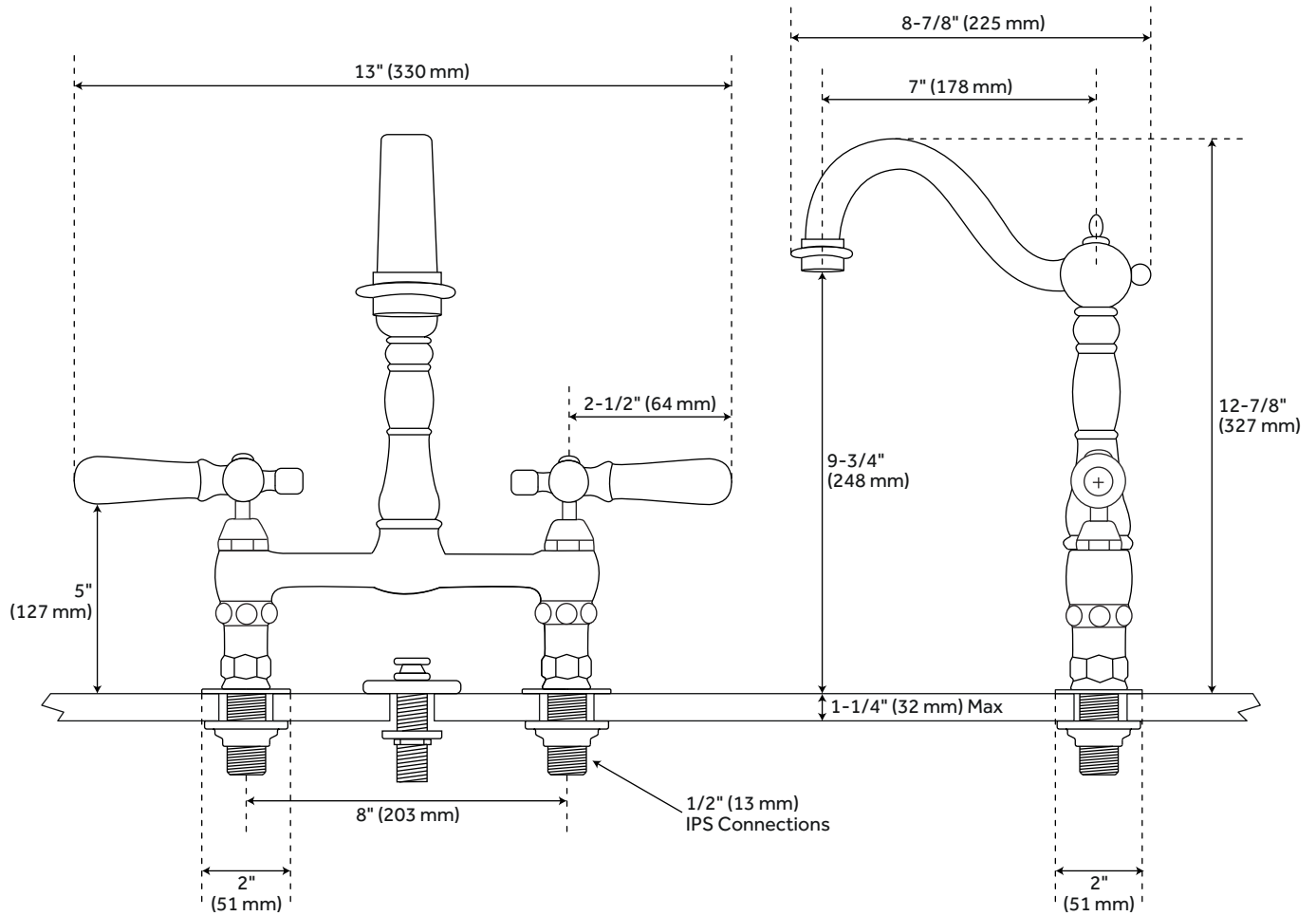
BRIDGE FAUCET PAGE 2

REVISED 09/03/2020

BRIDGE

BATHROOM FAUCET - LEVER HANDLES

SKU: 907536



FEATURES

- Max. Countertop Thickness: 1-1/2"
- Faucet Centers: 8"
- Length: 13"
- Width: 8-7/8"
- Height: 12-7/8"
- Height To Spout: 9-3/4"
- Spout Reach: 7"
- Base Plate Length: 2"
- Base Plate Width: 2"
- Handle Length: 2-1/2"
- Height to Bottom of Handle: 5"
- IPS: 1/2"
- Drain Size: 1-1/2"

PRODUCT IMAGE



All dimensions and specifications are nominal and may vary. Use actual products for accuracy in critical situations.

PAGE 2