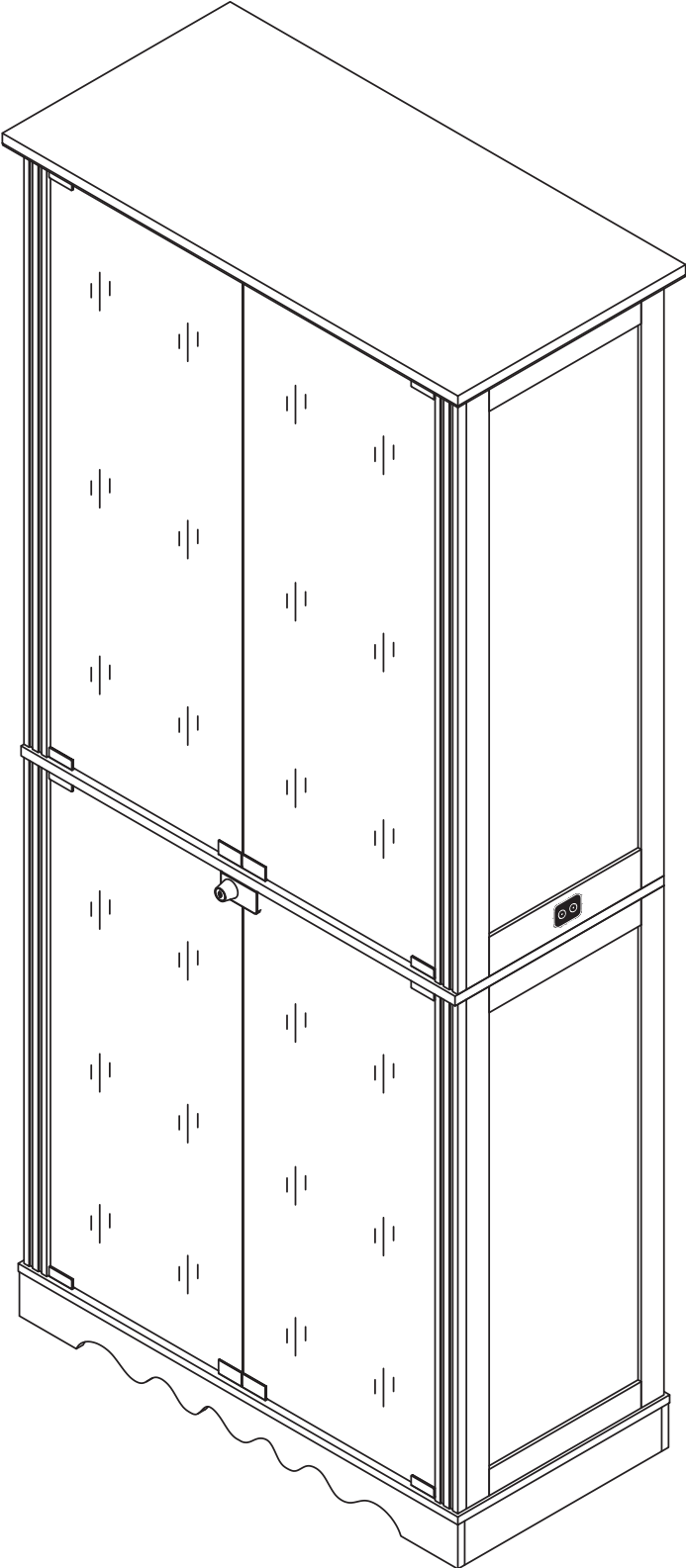
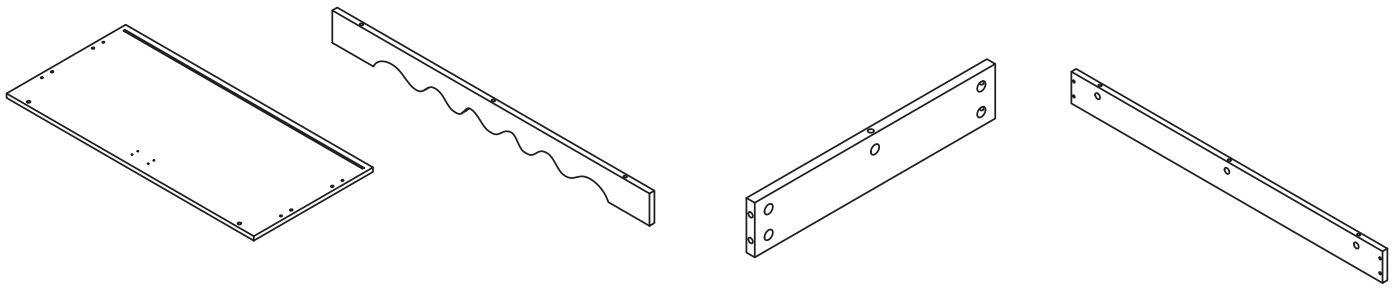


Product Installation Instructions



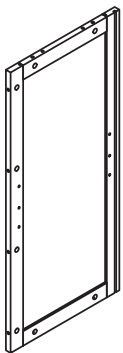


Ax1

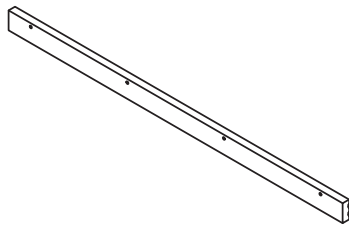
Bx1

Cx2

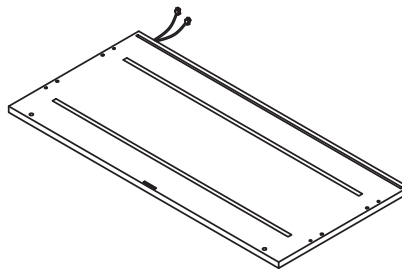
Dx1



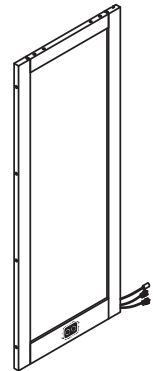
Ex2



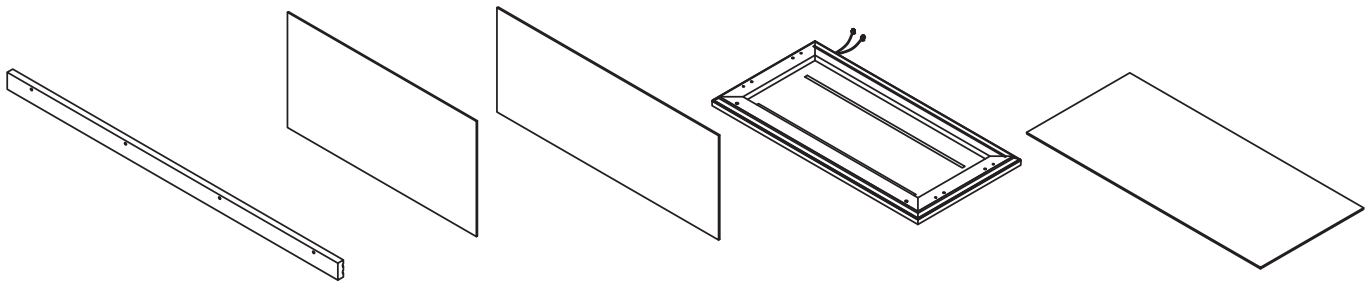
Fx2



Gx1



Hx1



Ix2

Jx2

Kx3

Lx1

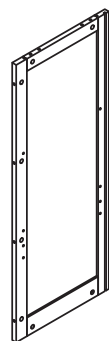
Mx3



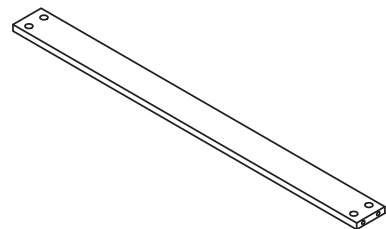
Nx2



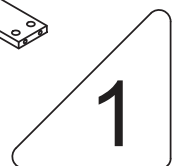
Ox2



Px1

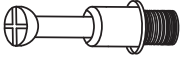



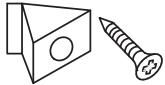


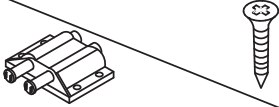



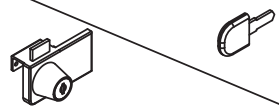

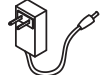
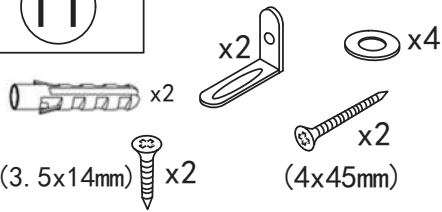
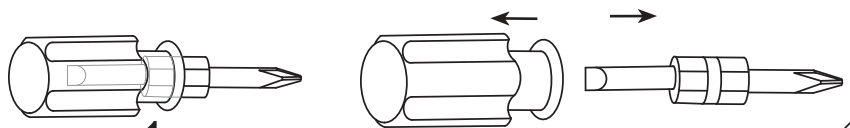
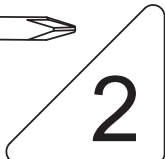


Qx3

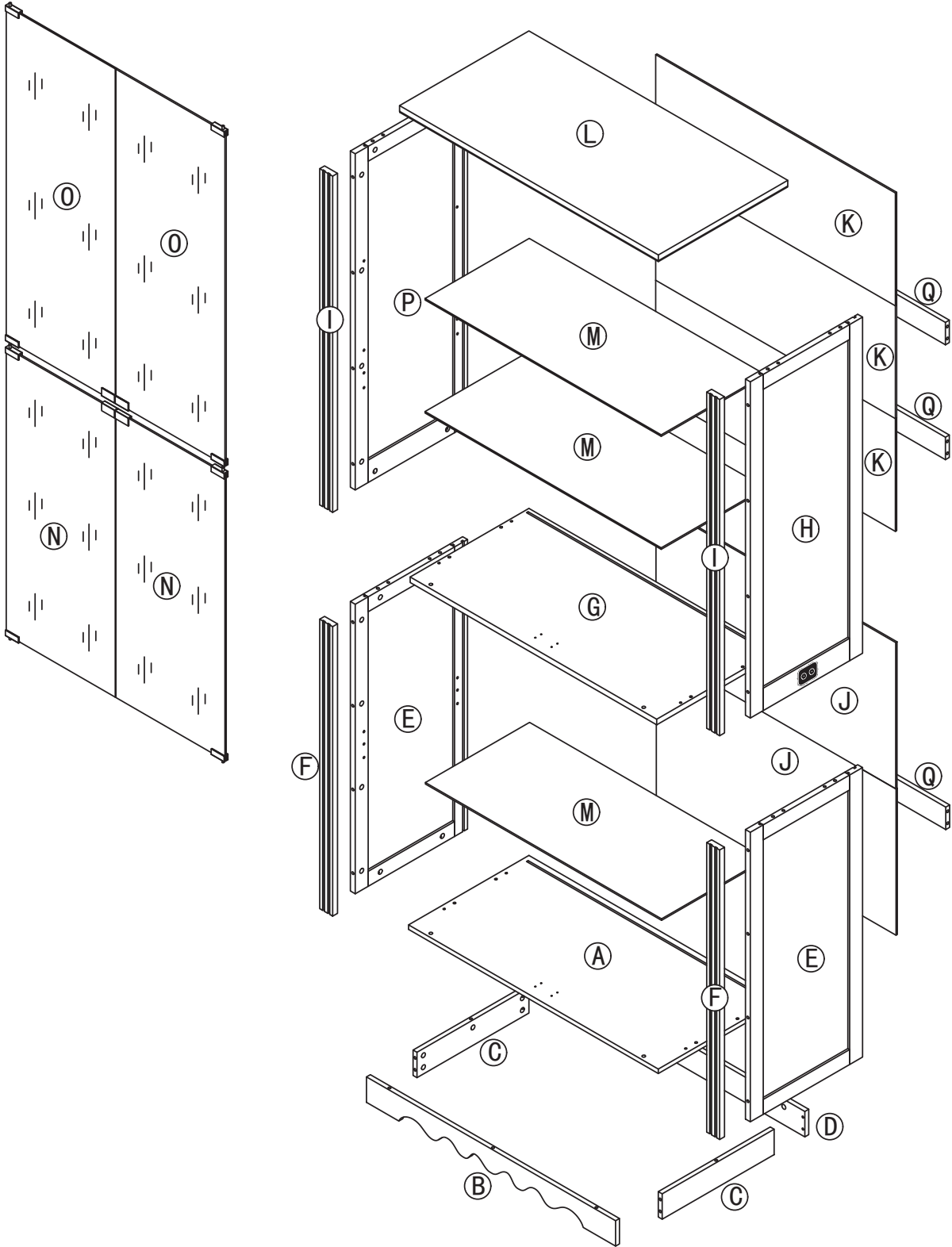


1

Accessories list

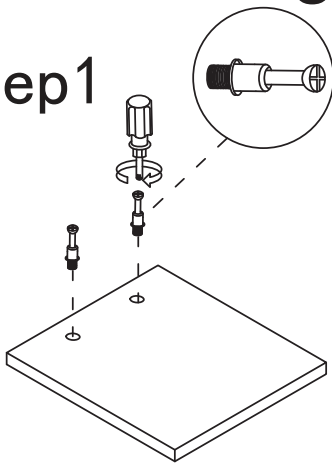
①		Two in one screw (6x28mm)	60pcs +3pcs
②		Two in one nut (10x12mm)	60pcs +3pcs
③		Wood Chipping (6x30mm)	16pcs +4pcs
④		Non-slip pads	6pcs
⑤		Fixing clip & screw (3x16mm)	18pcs +2pcs
⑥		Wire clamp	2pcs +2pcs
⑦		Laminate Support Nail	12pcs +2pcs
⑧		Rebound device & Screw (3x16mm)	8pcs +2pcs 2pcs
		Iron sheet	4cs
		Hinge	8pcs 4cs 4cs
⑨		Backboard card strip	3pcs
⑩		Double door glass lock Key	2pcs 1pcs
⑫		Forked line	2pcs
		AC/DC Adapter (12V=3.0A)	1pcs
⑪	<p>Anti Fall Hardware</p>  <p>(3.5x14mm) x2 x2 x2 x2 (4x45mm)</p>	<p>Double-head screwdriver, use as required</p>  <p>1pcs</p>	
			

Product structure decomposition

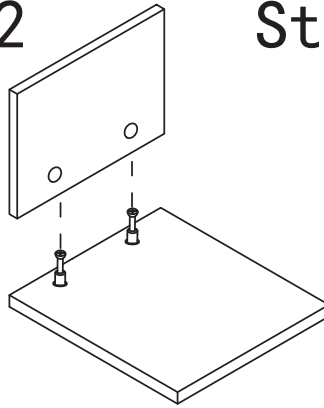


Use parts ① and ②

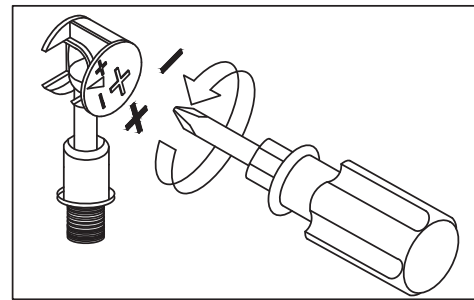
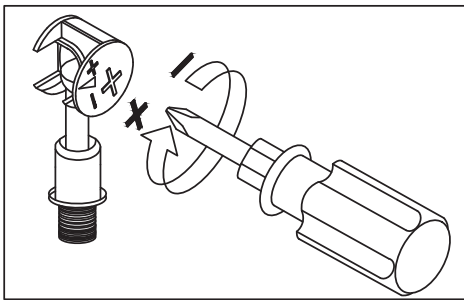
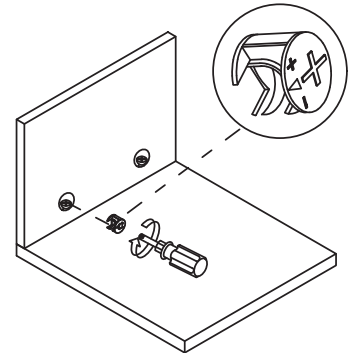
Step1



Step2



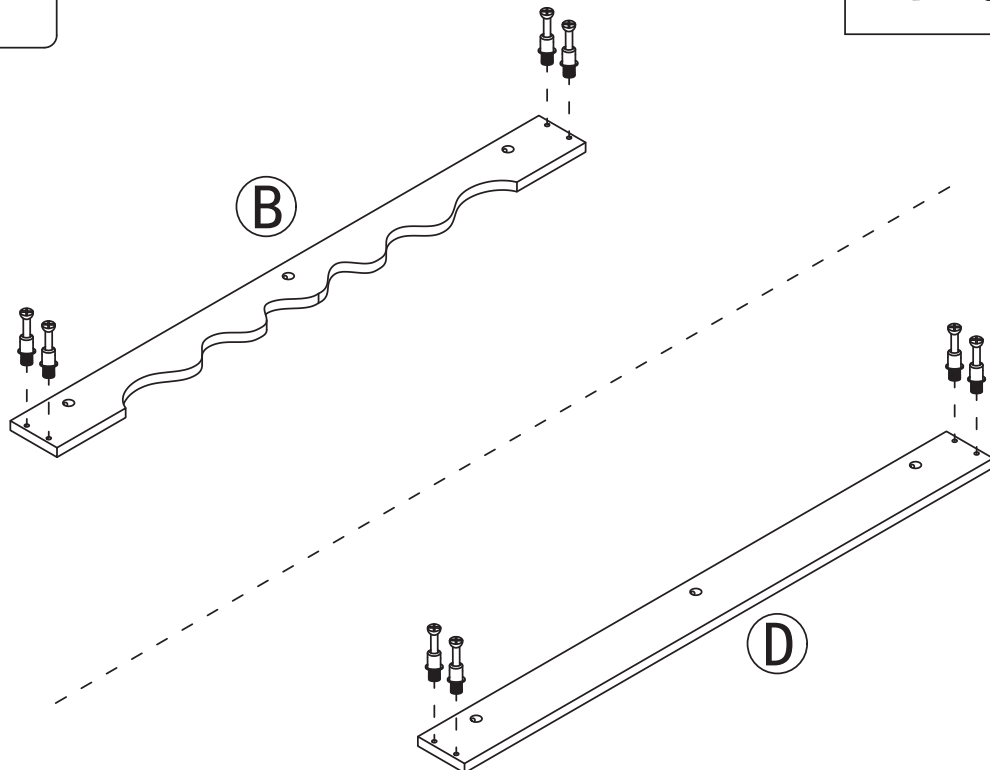
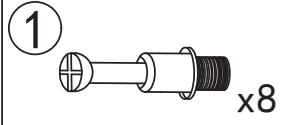
Step3



Use a screwdriver to lock in the direction of the "+" sign

Disassemble along the direction of "-" sign

Step 1

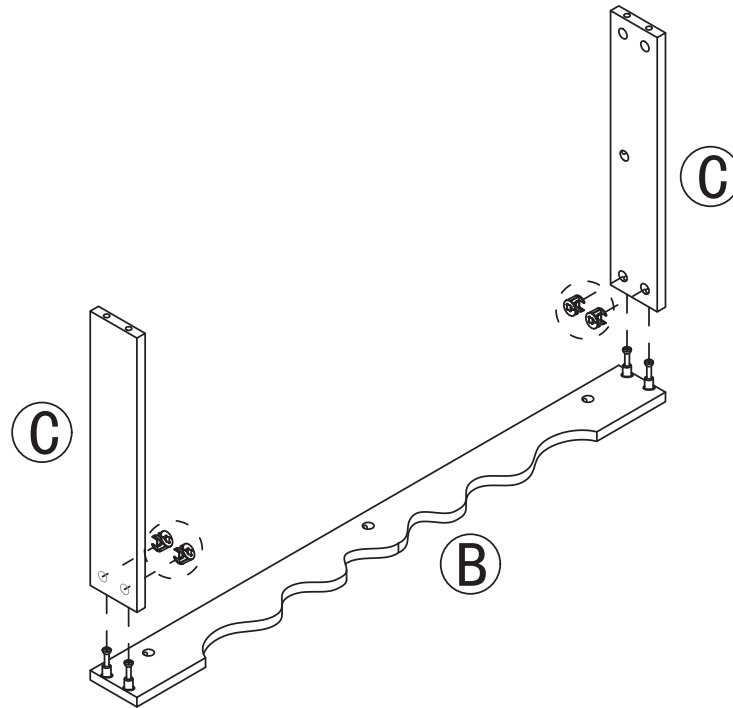


Step 2

2



x4

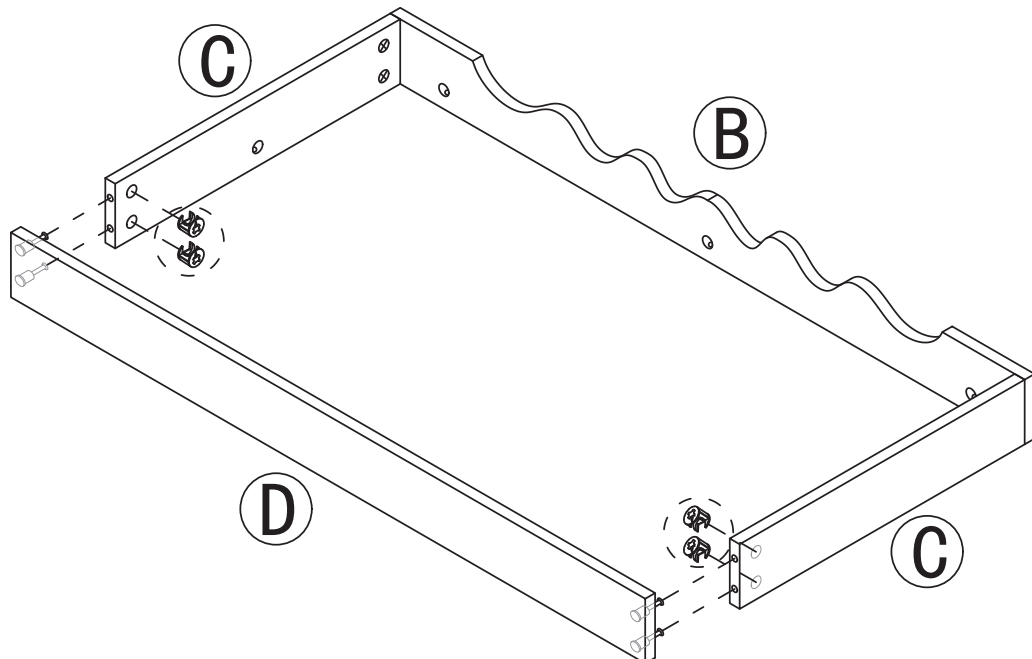


Step 3

2

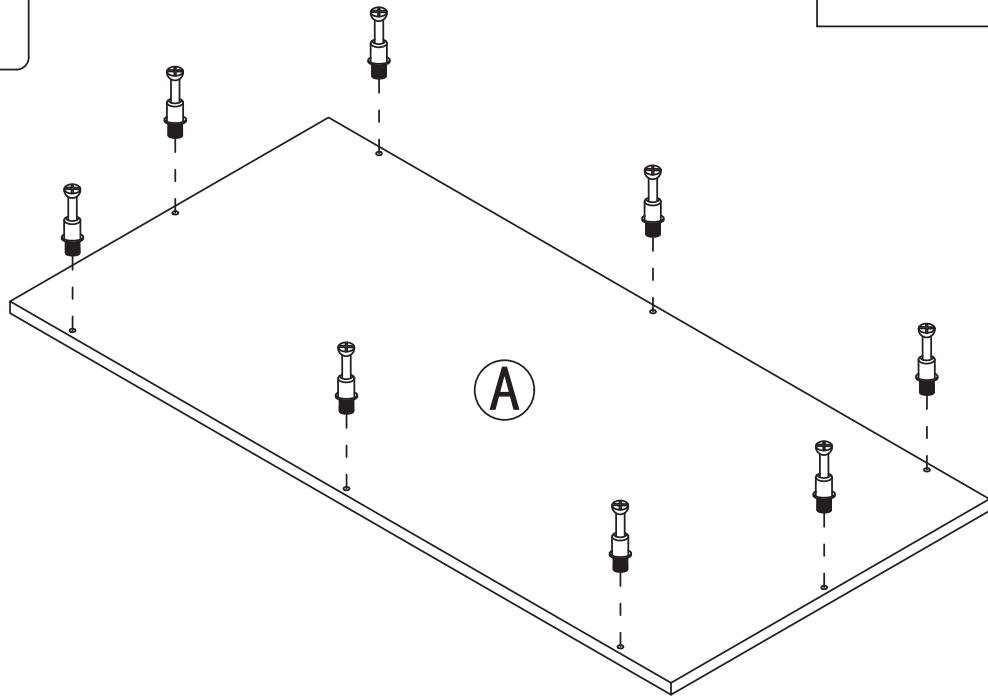
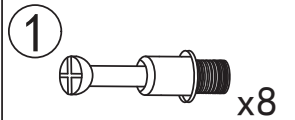


x4

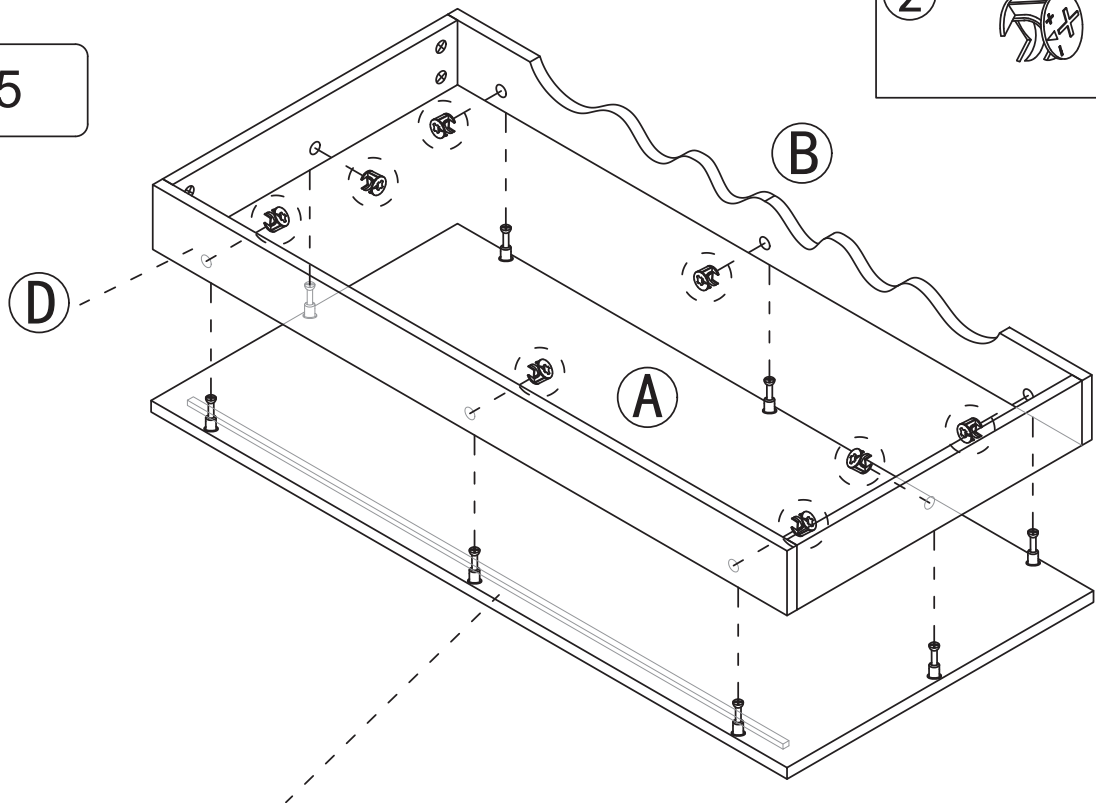


5

Step 4



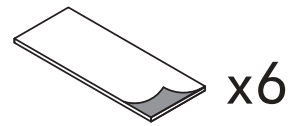
Step 5



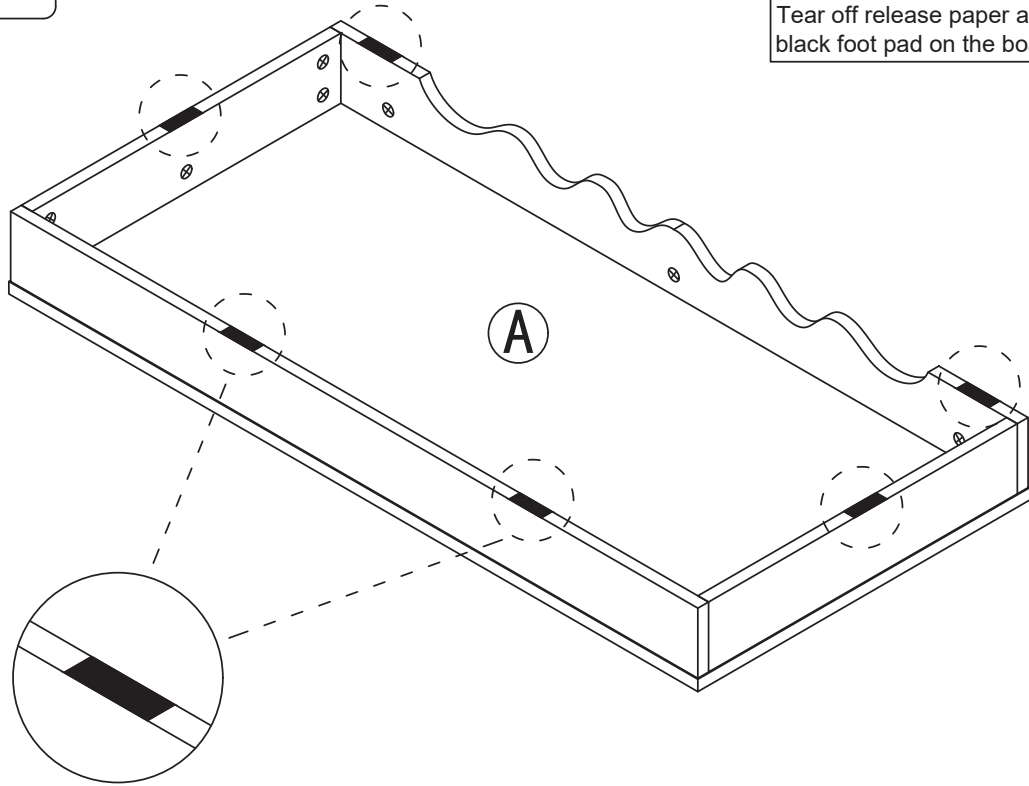
Attention: There is a groove behind the D board in the position where the D board is installed

Step 6

4

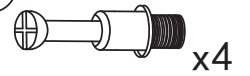


Tear off release paper and stick the black foot pad on the board

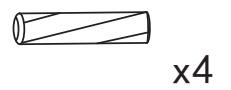


Step 7

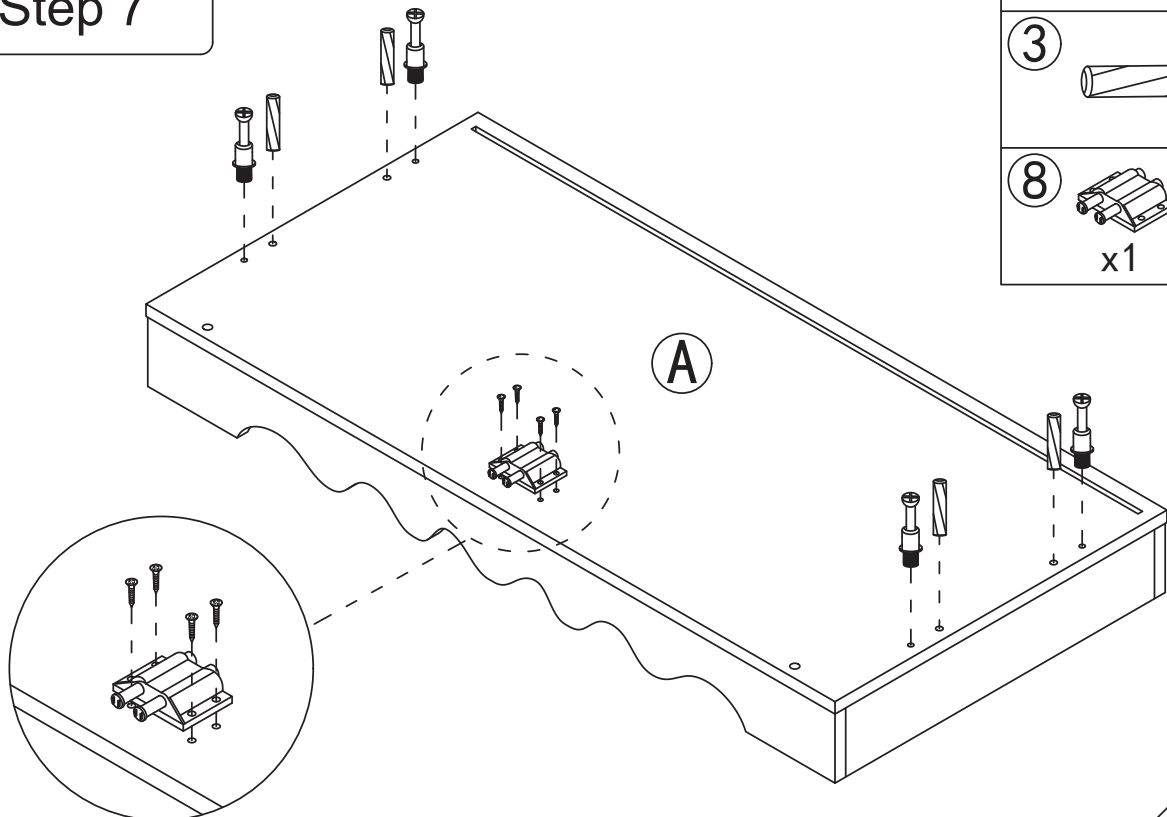
1



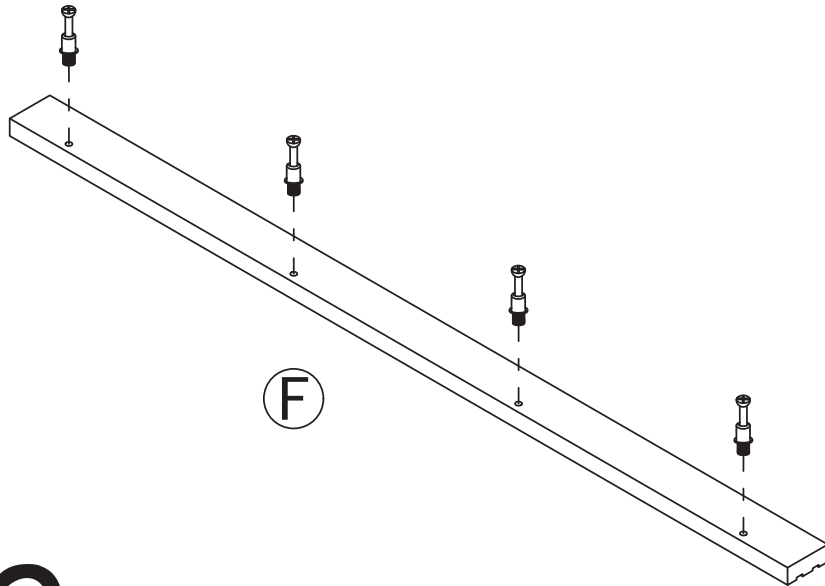
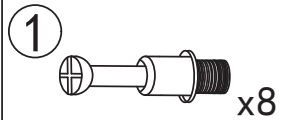
3



8

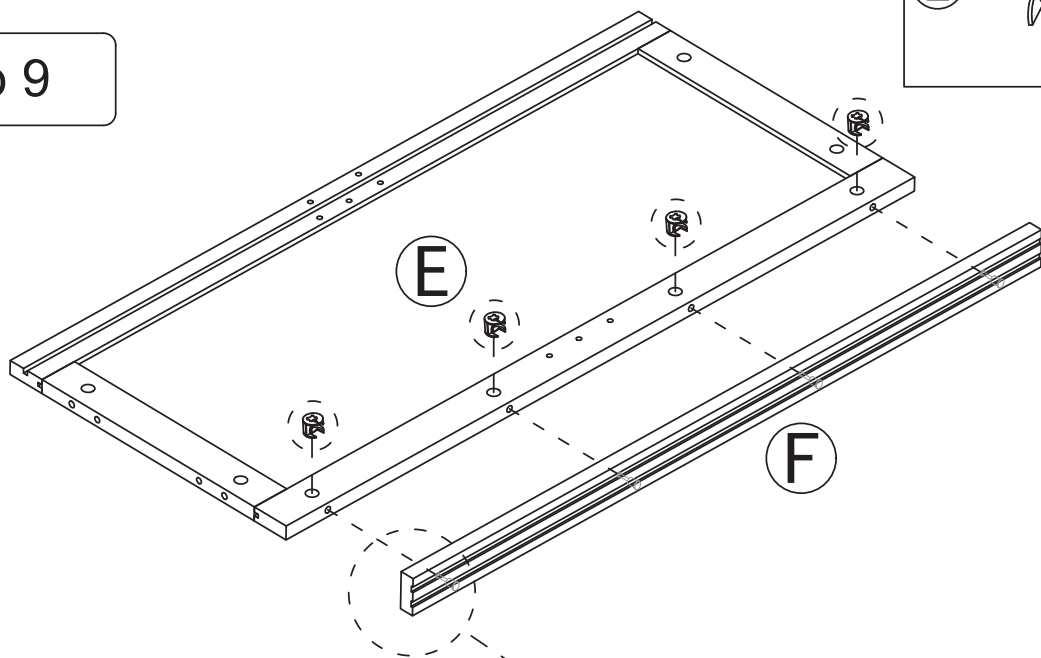


Step 8



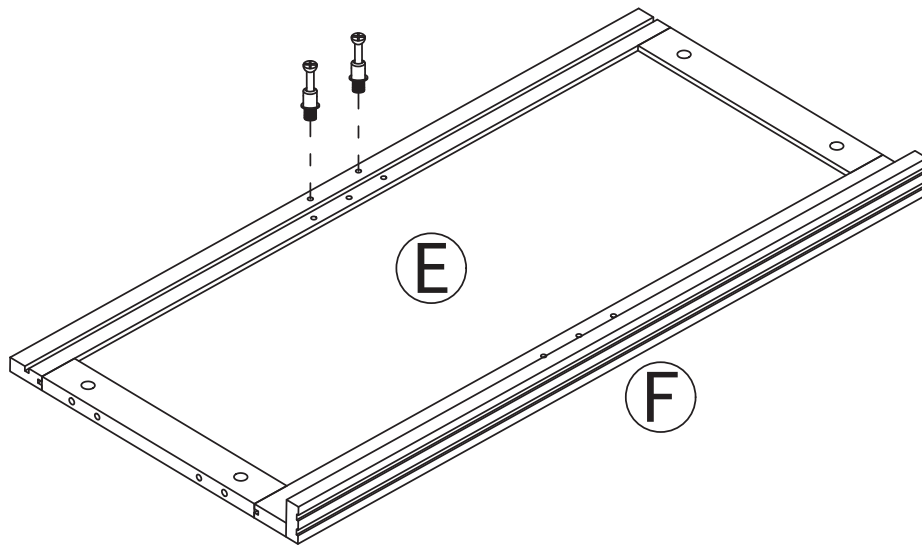
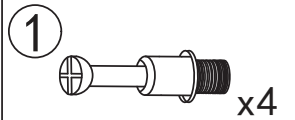
F x2

Step 9



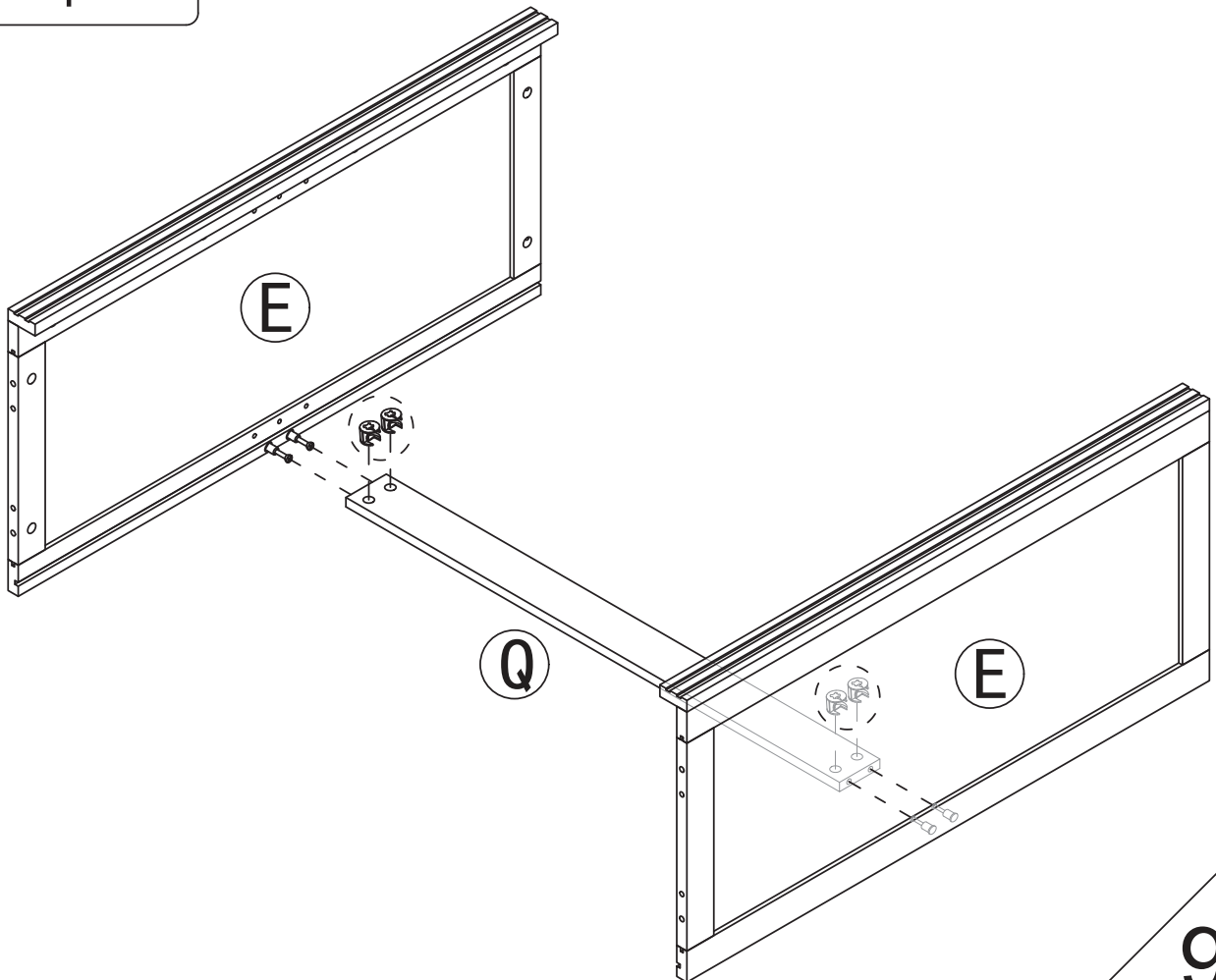
E x2

Step 10



x2

Step 11

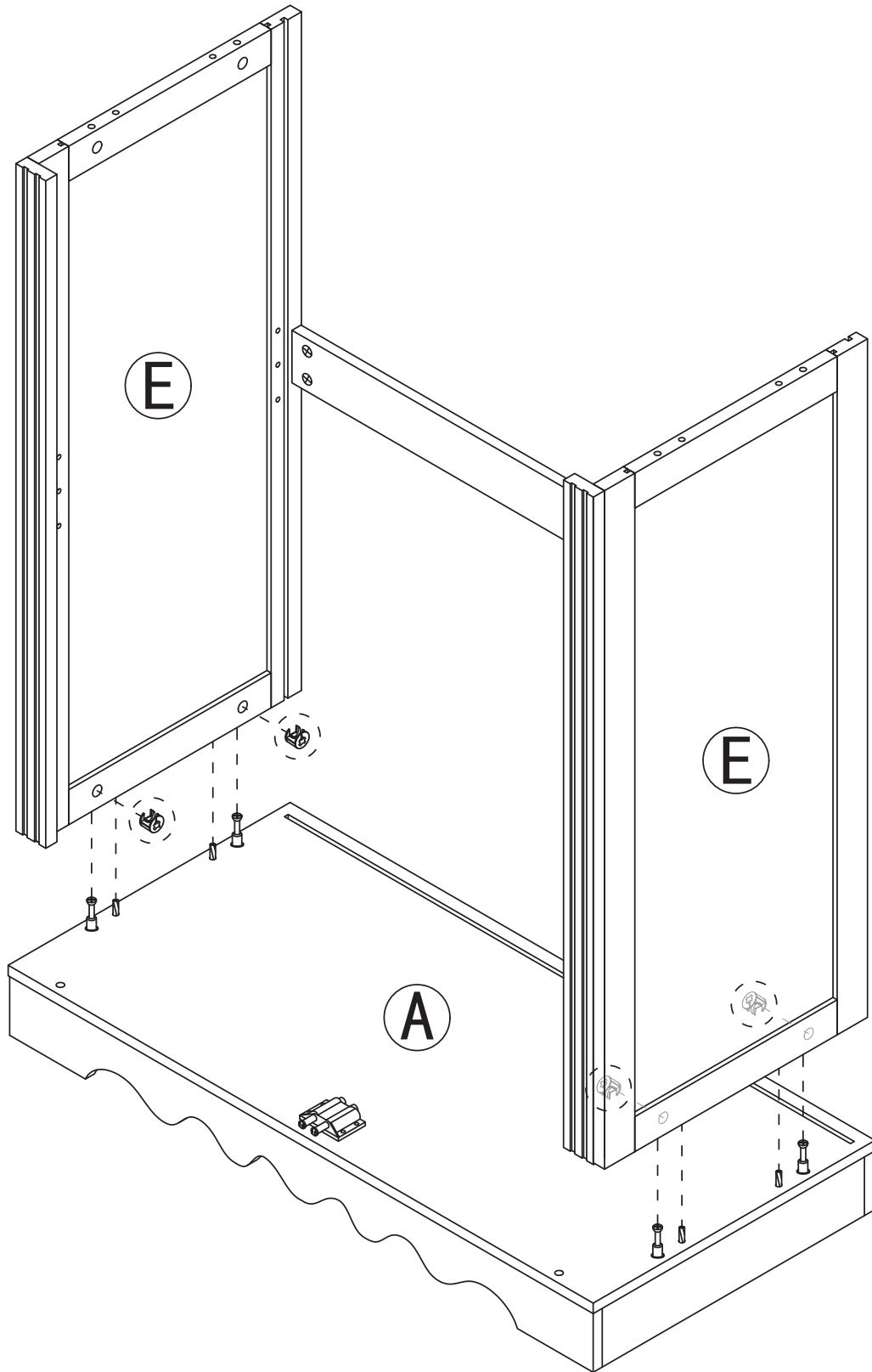


Step 12

2

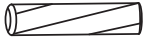



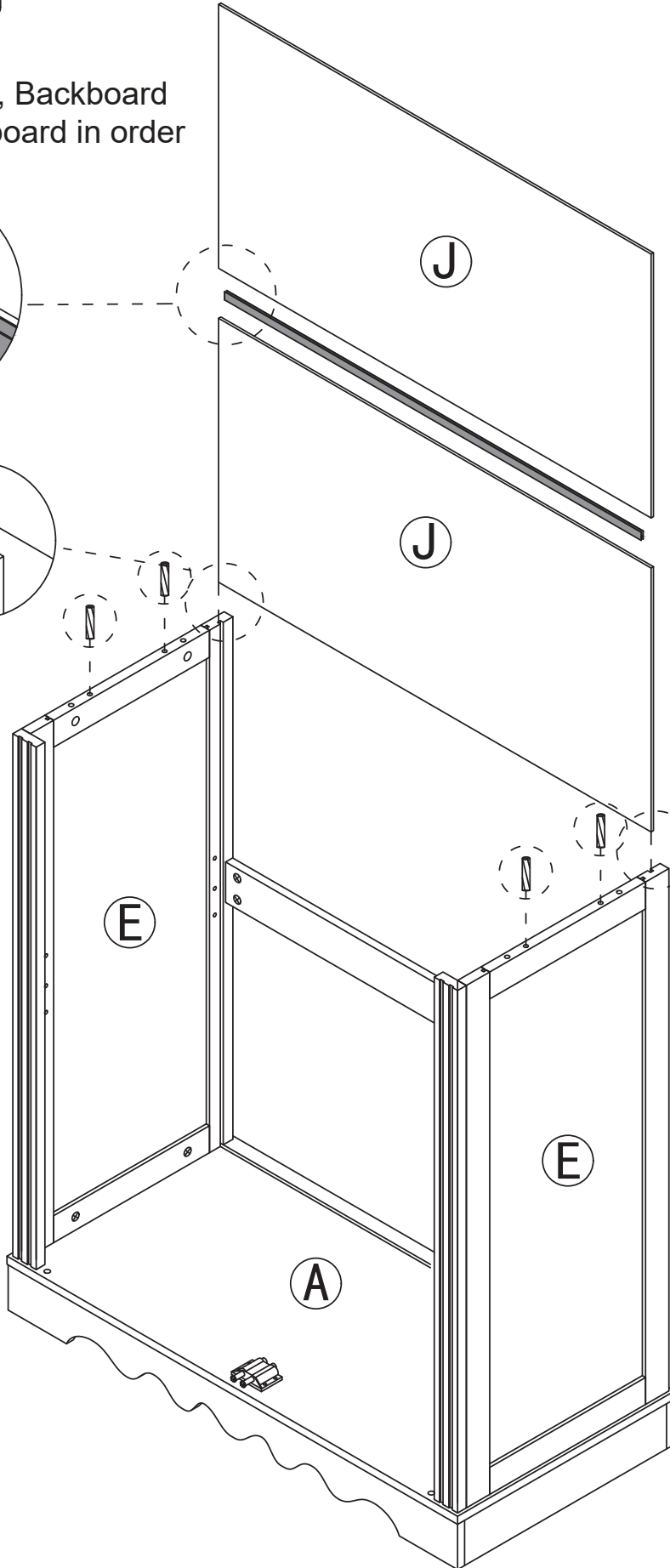
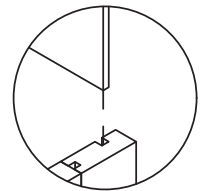
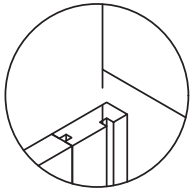
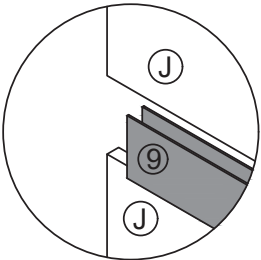
x4



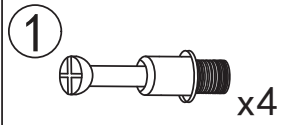
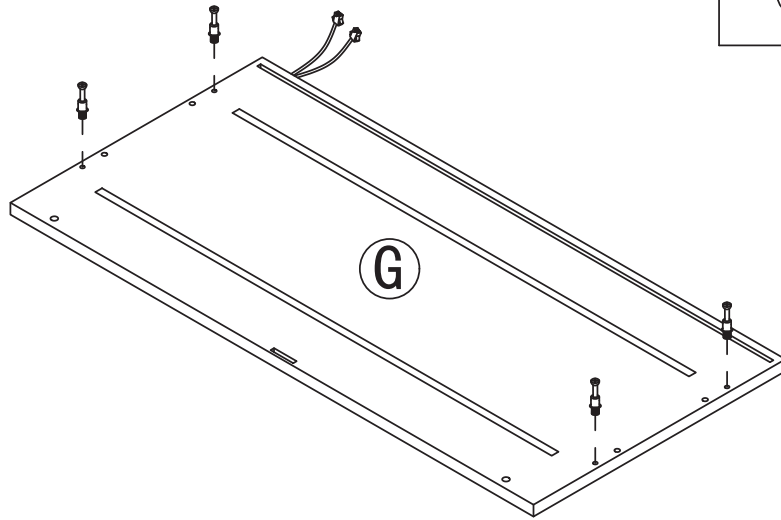
Step 13

Place the "J" board, Backboard card strip, and "J" board in order

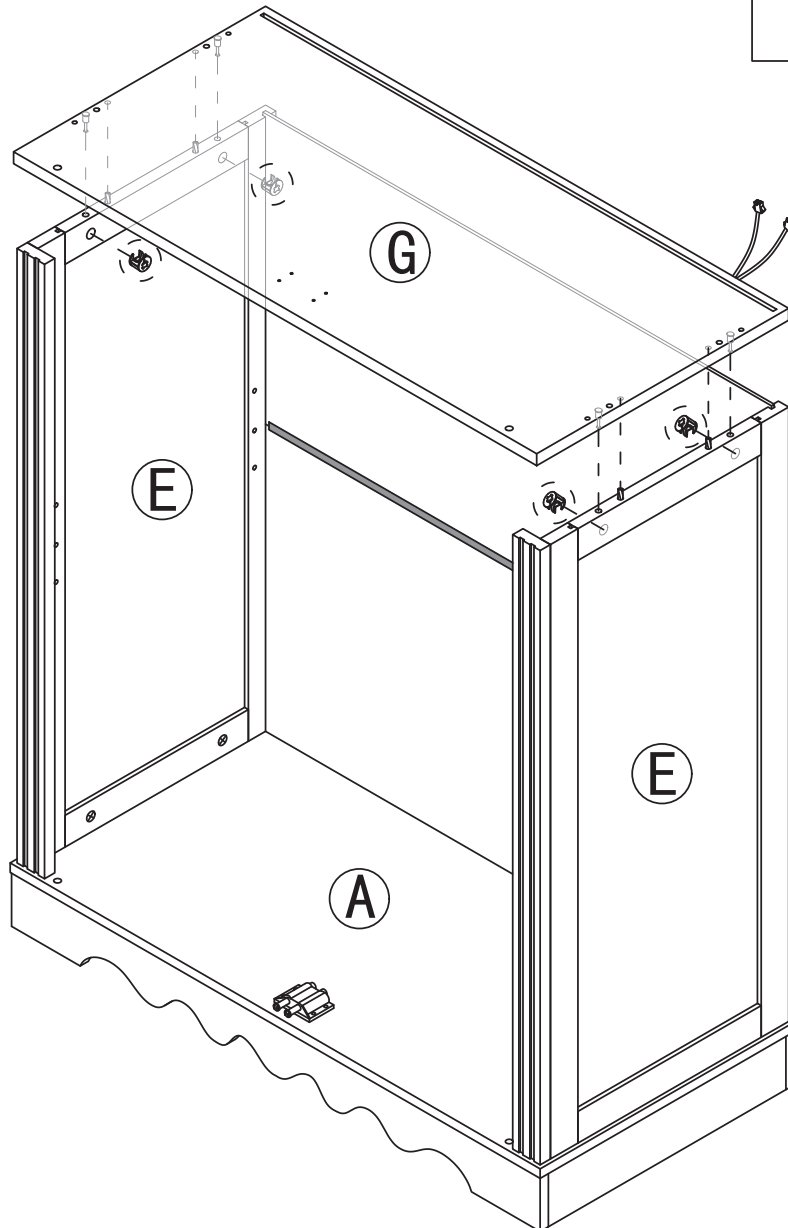
- ③  x4
- ⑨  x1



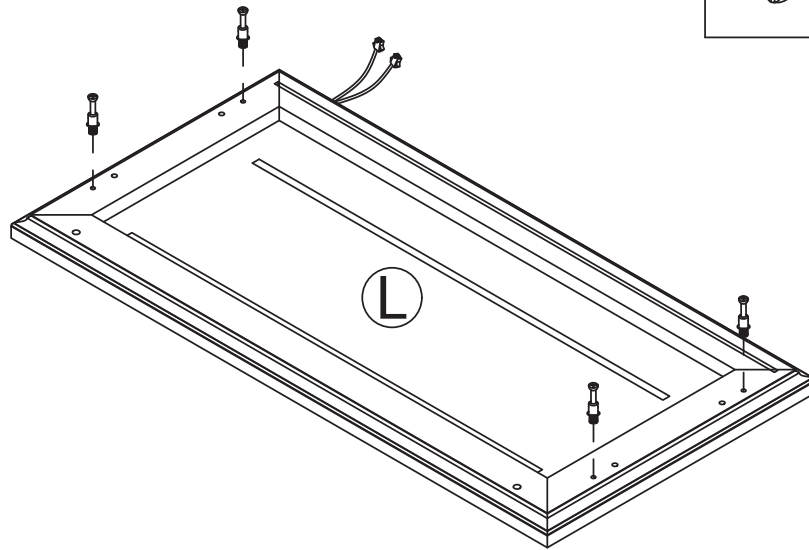
Step 14

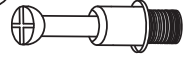


Step 15

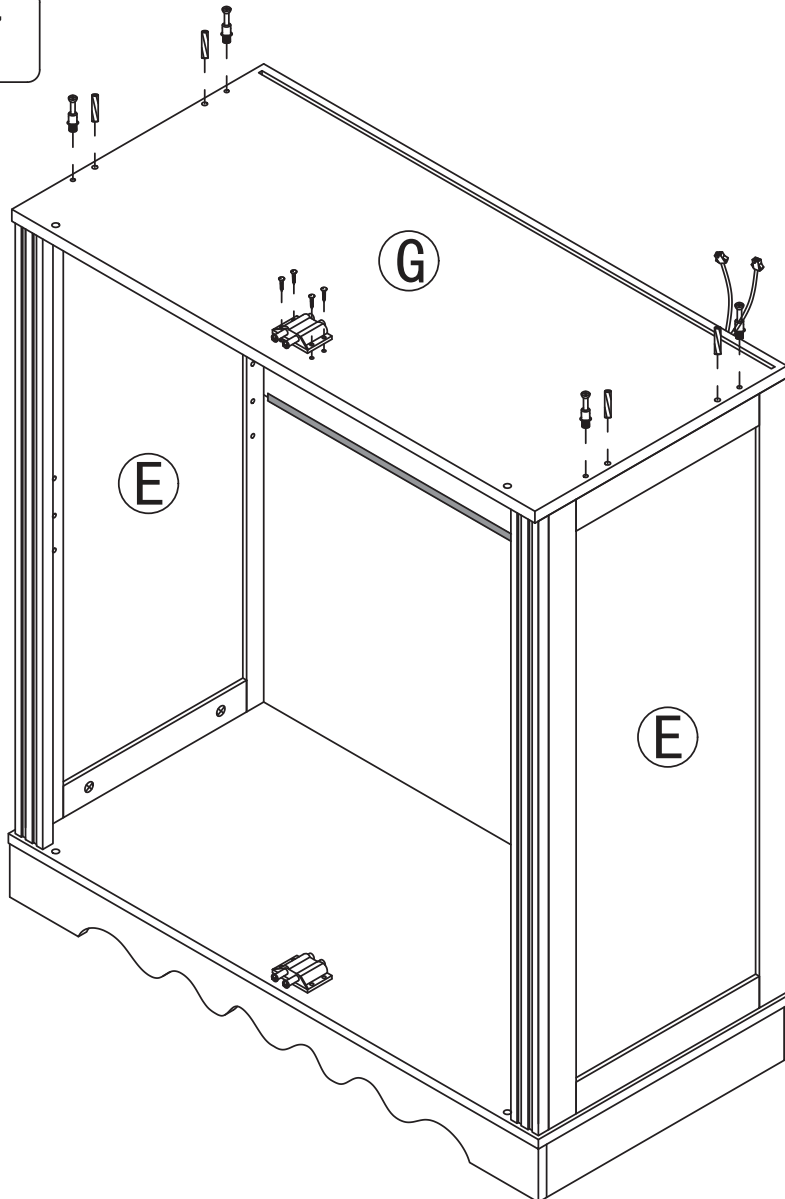


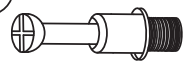



Step 16



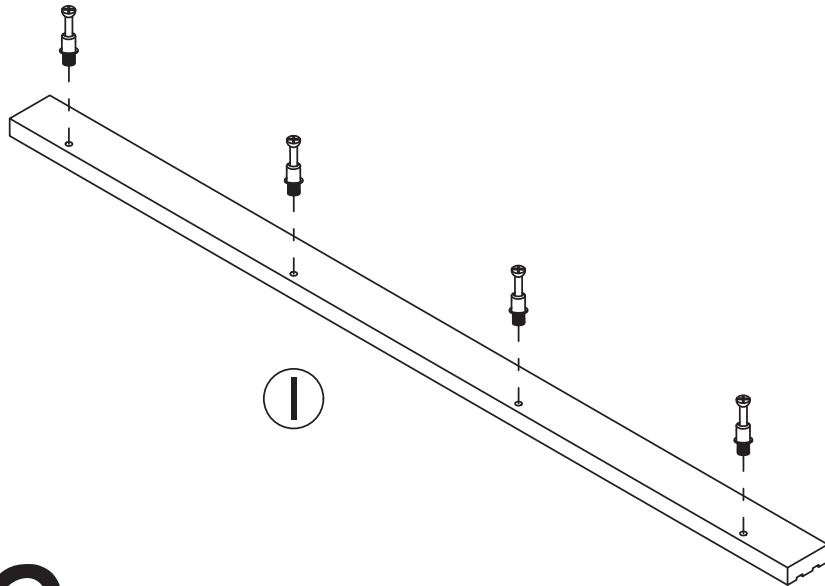
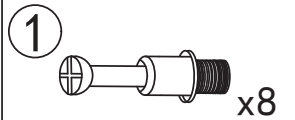
- ①  x4

Step 17



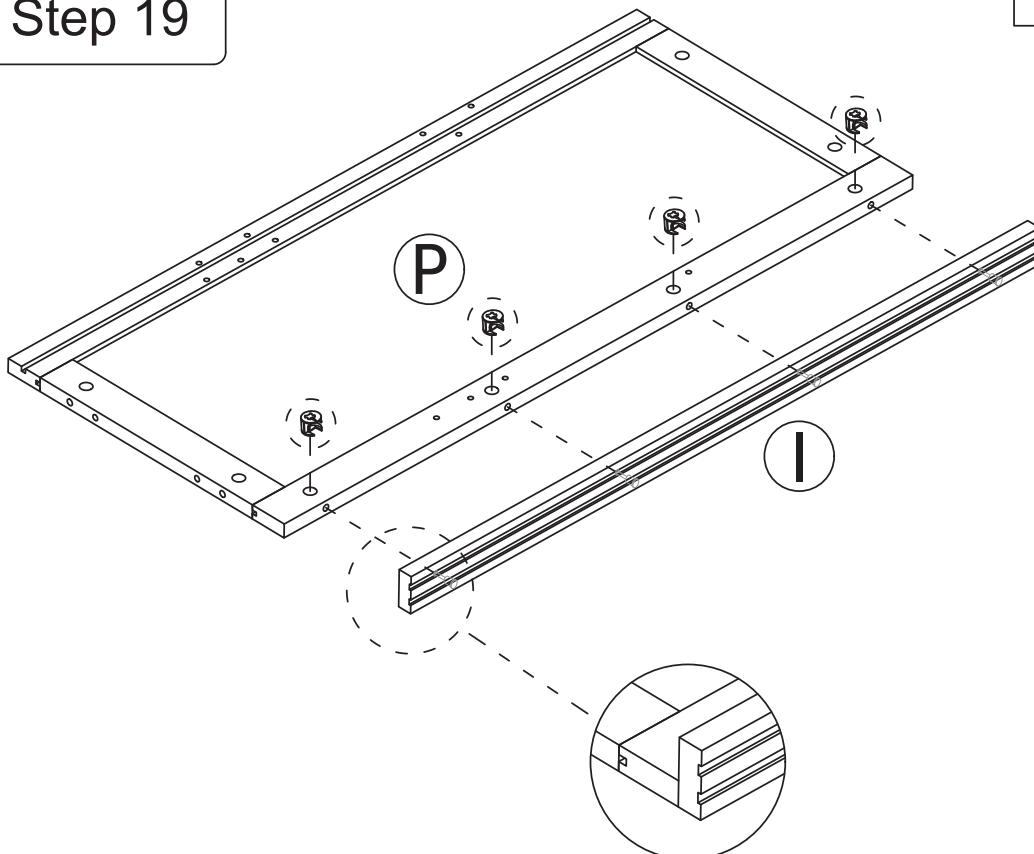
- ①  x4
- ③  x4
- ⑧  x1  x4

Step 18

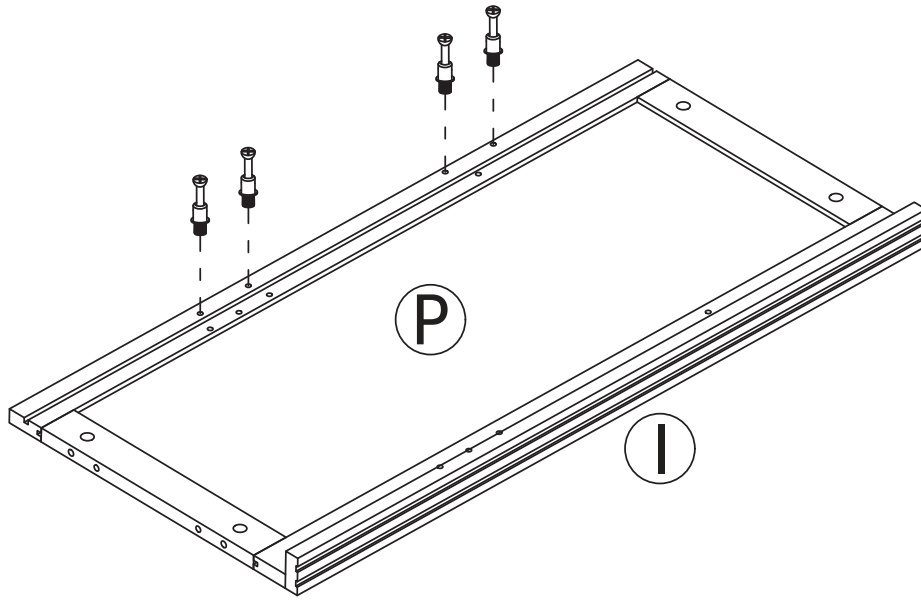
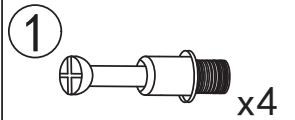


1 x2

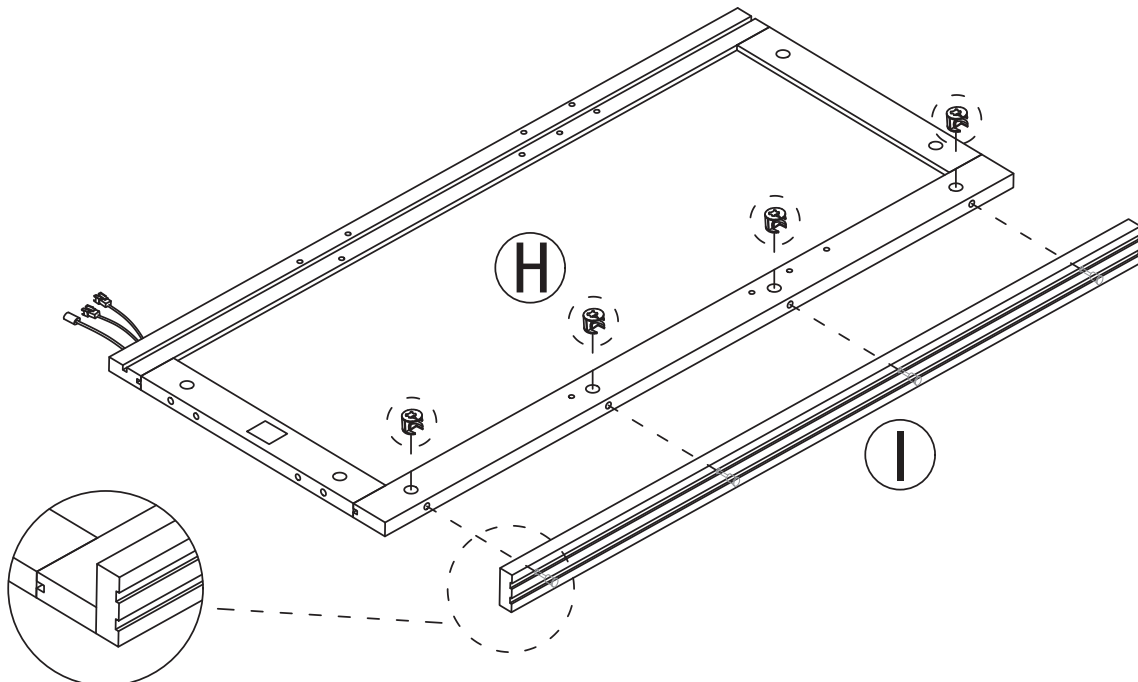
Step 19



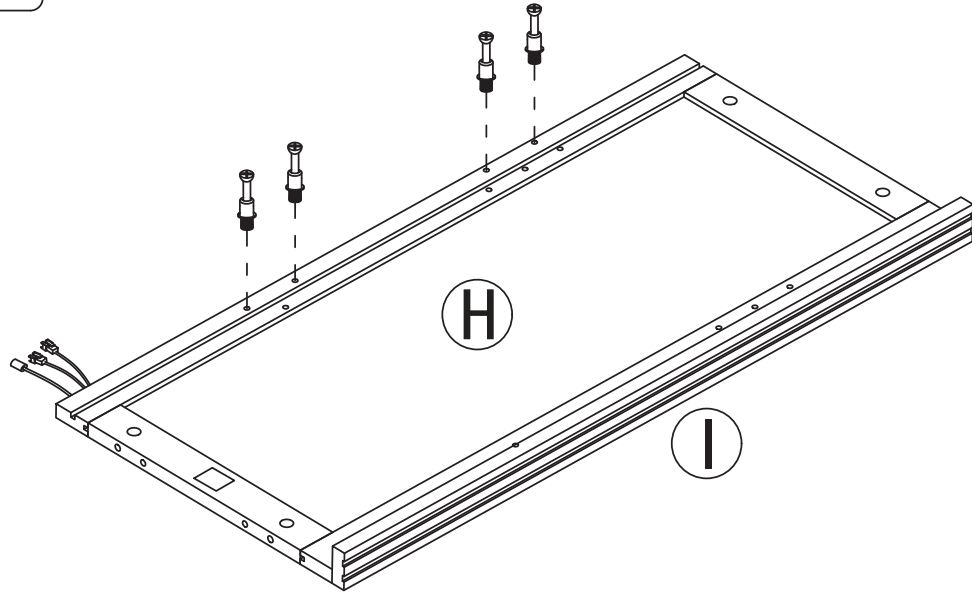
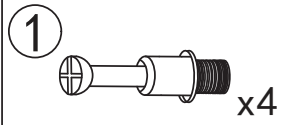
Step 20



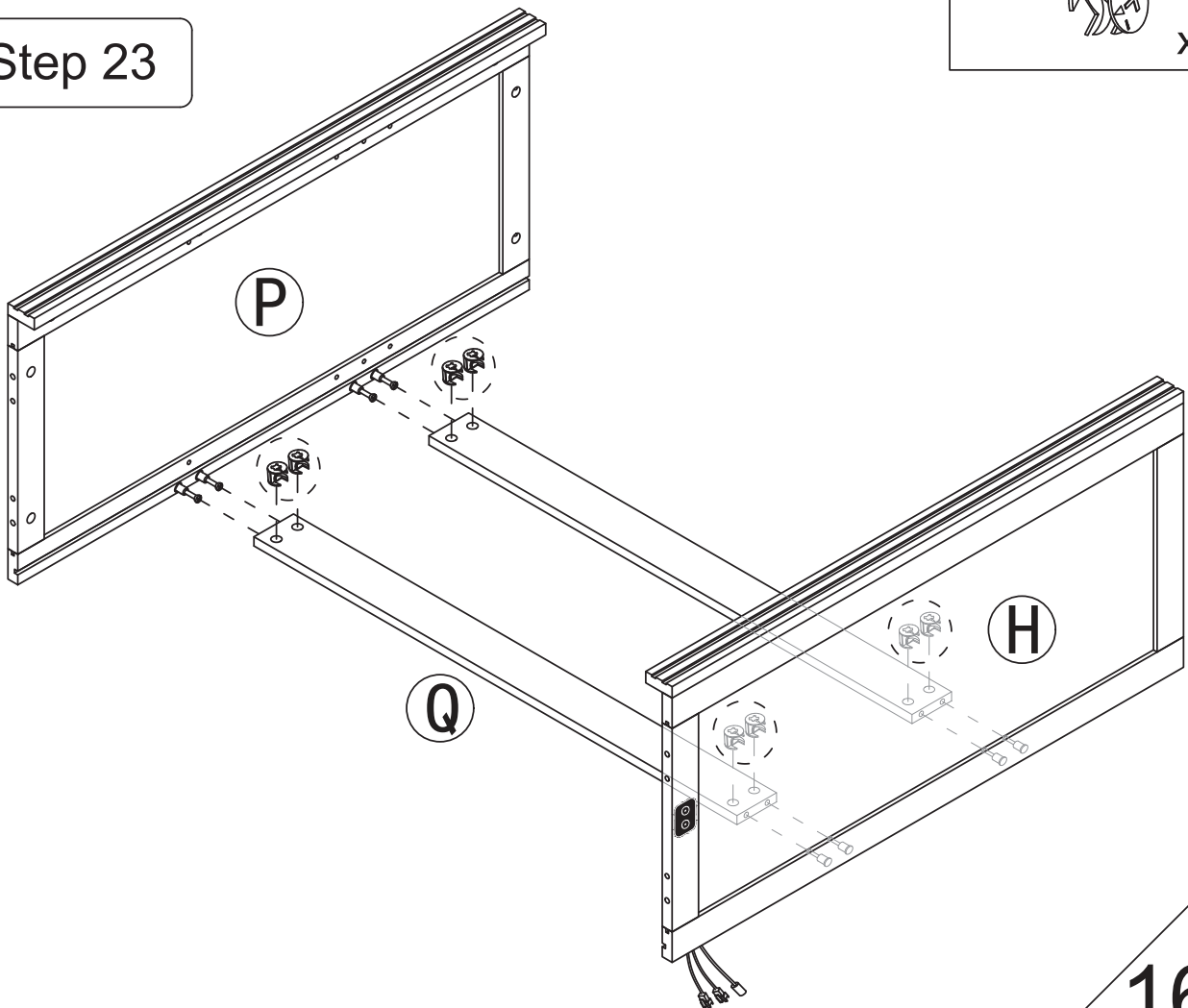
Step 21



Step 22



Step 23

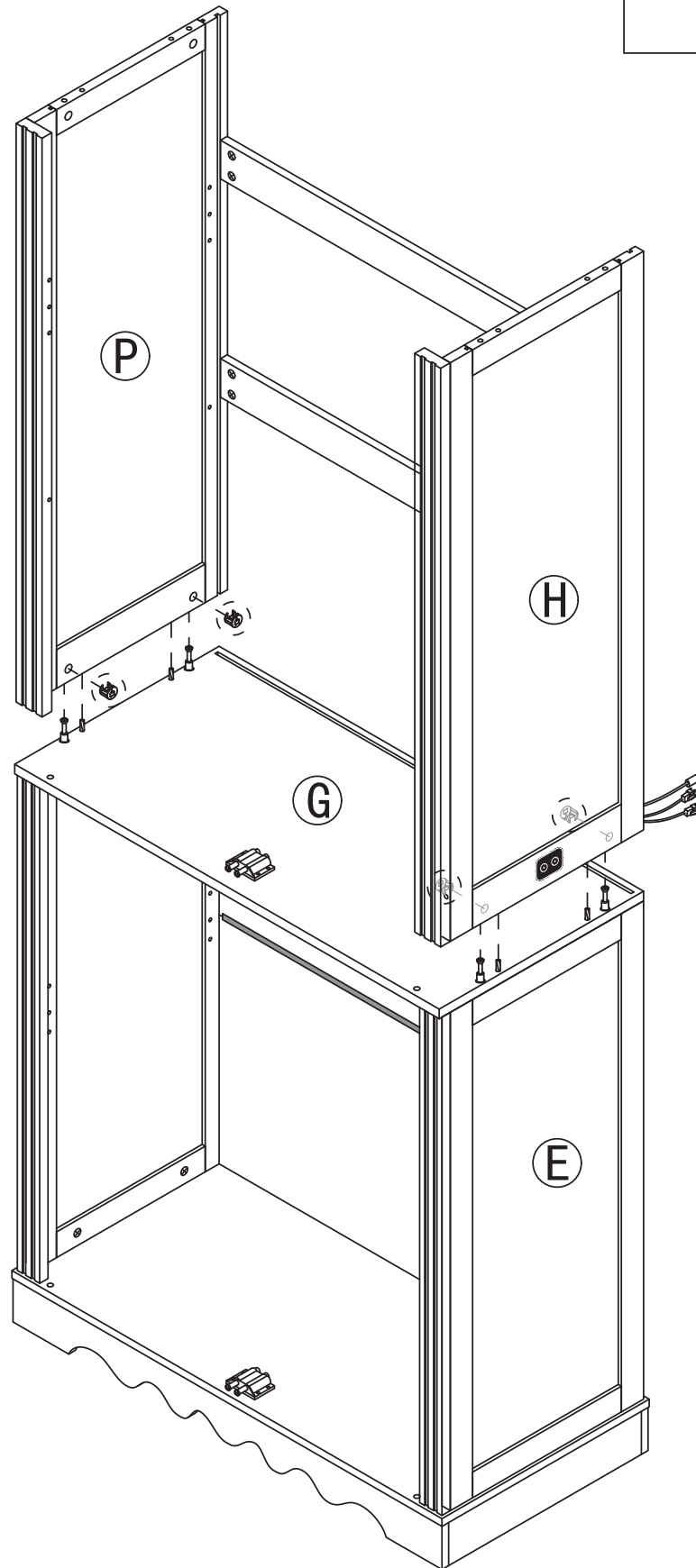


Step 24

2

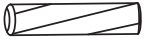



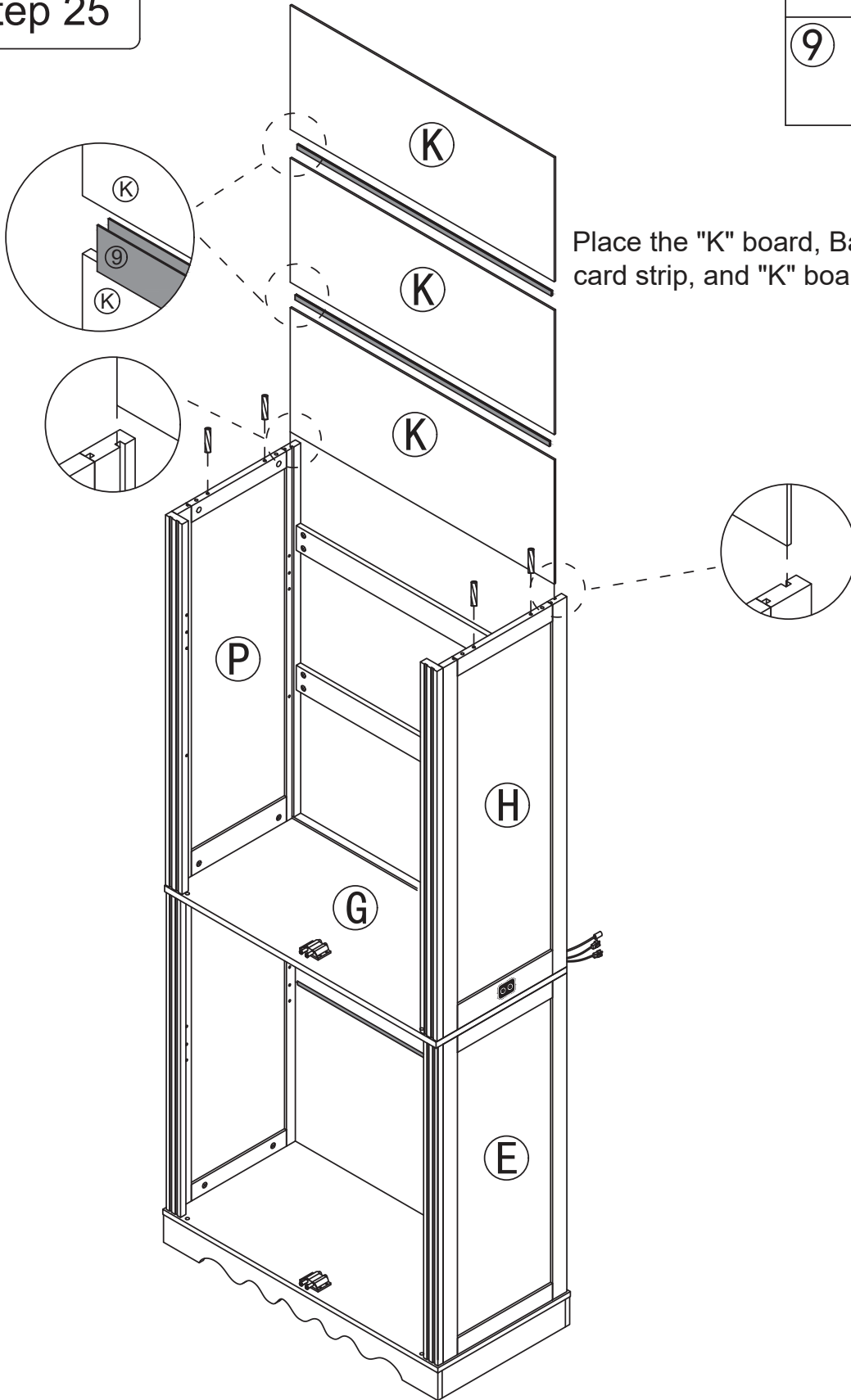
x4



It is recommended that two people work together to install the structural wood panels.

Step 25

- ③  x4
- ⑨  x2



Place the "K" board, Backboard card strip, and "K" board in order

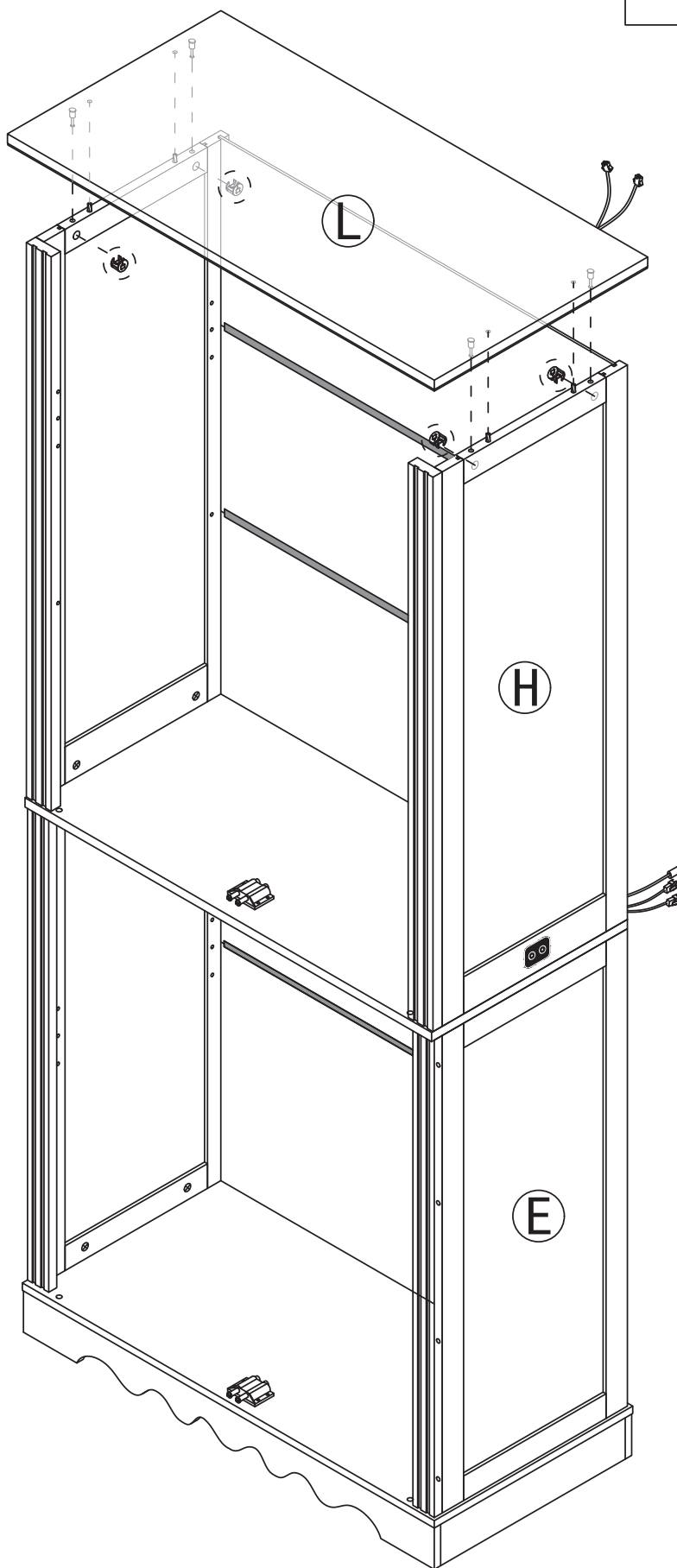
It is recommended that two people work together to install the structural wood panels.

Step 26

2



x4

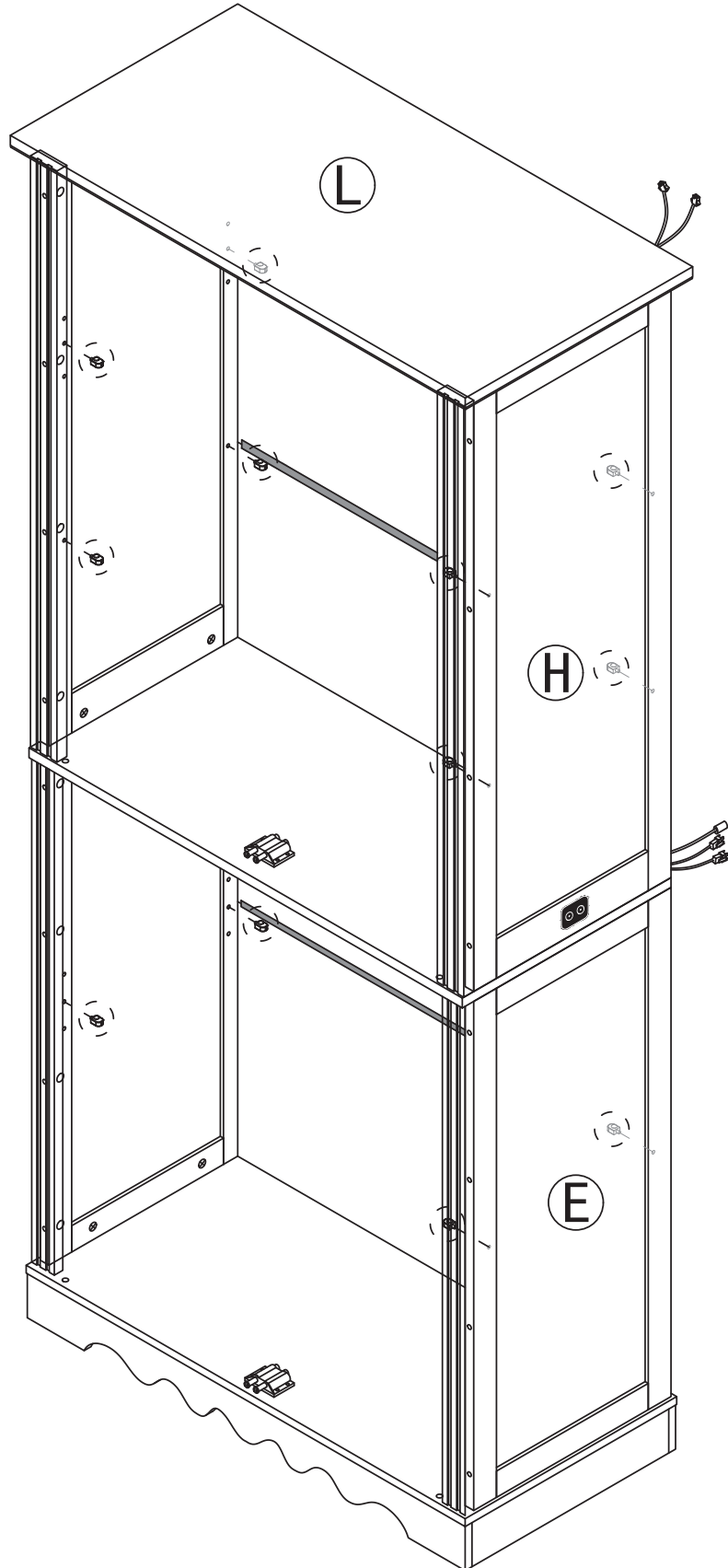
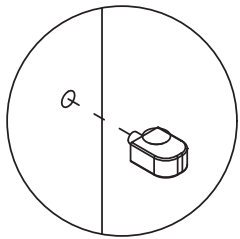


Step 27

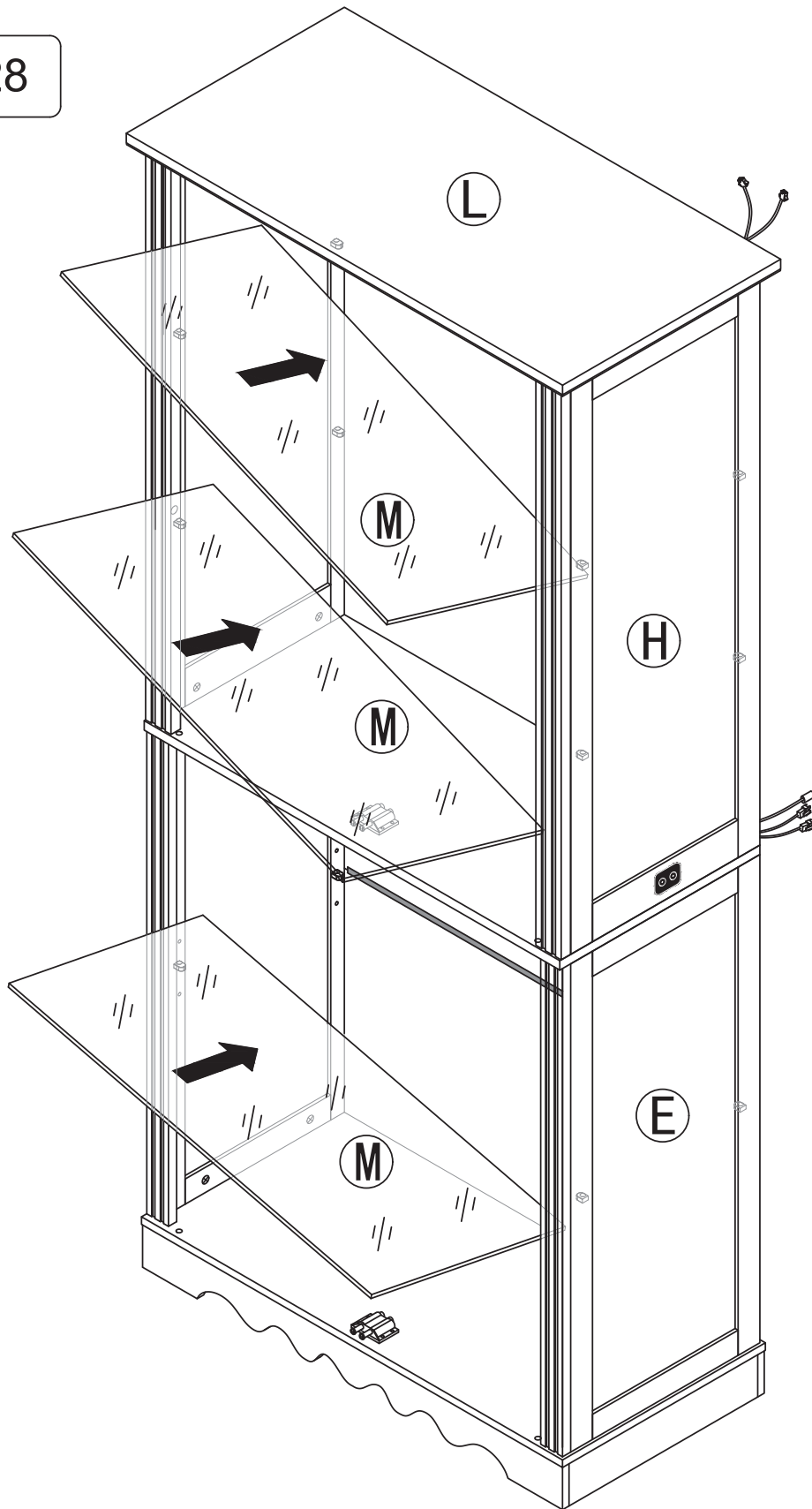
7



x12



Step 28

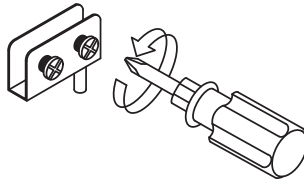


When installing the glass shelf, be sure to insert it into the cabinet at an angle.

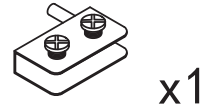
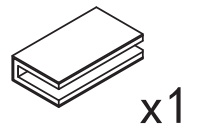
Please handle the glass with care and place it gently.

Step 29

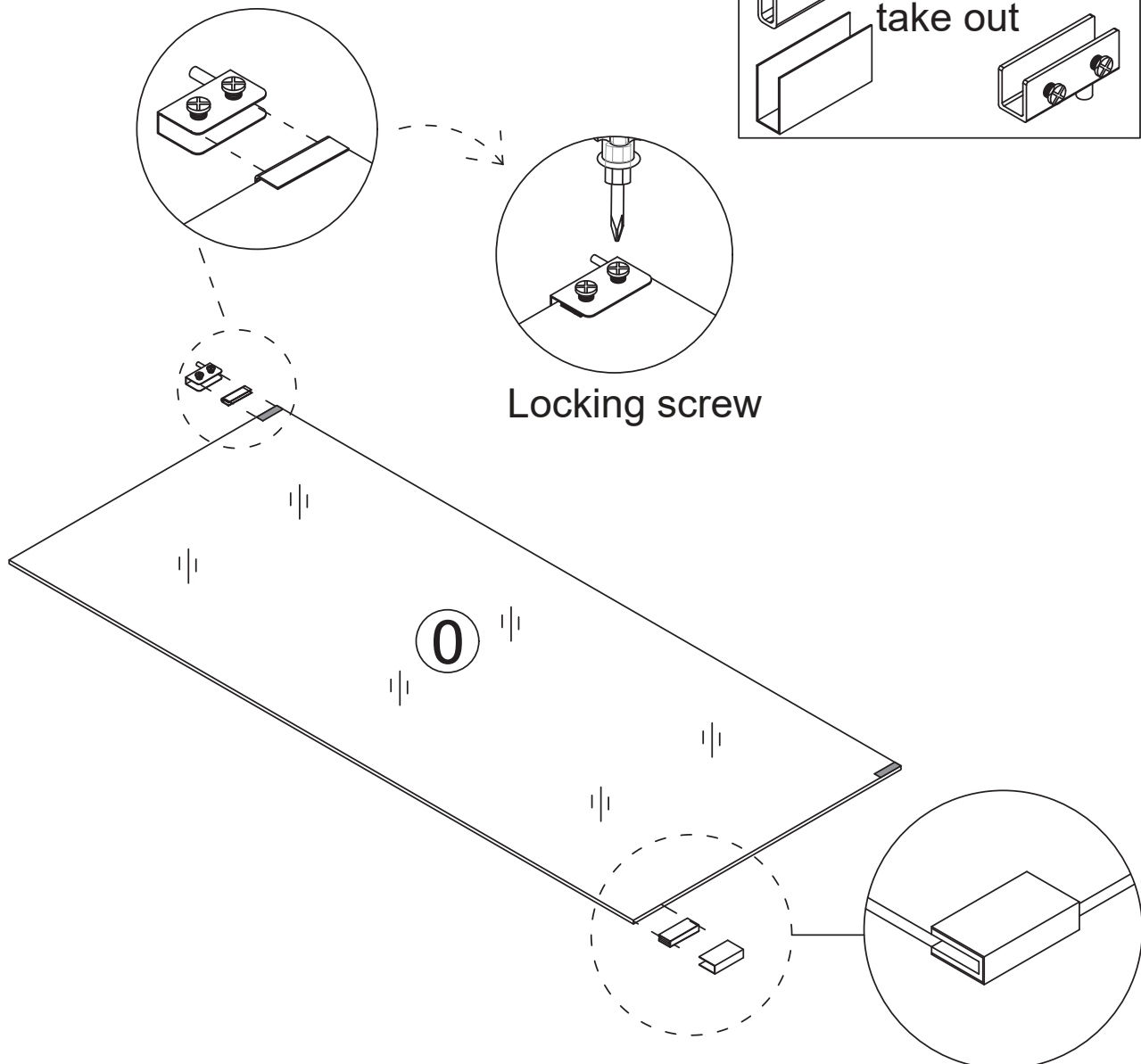
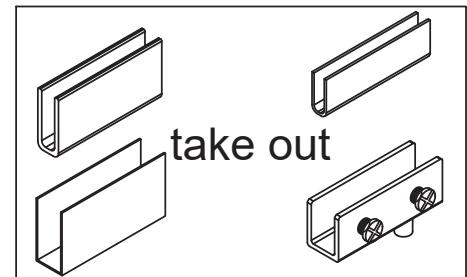
First, loosen the screws.



8

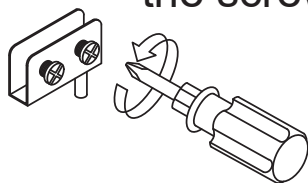


1. Take out the white foam pad
2. Fit the pad around the edge of the glass panel
3. Then slide the metal clamp over the assembled position
4. Finally, tighten the screws securely

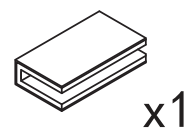


Step 30

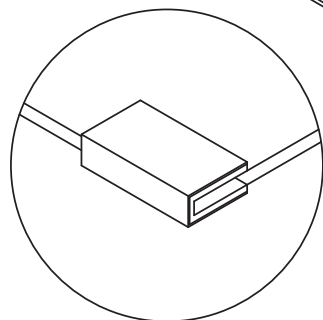
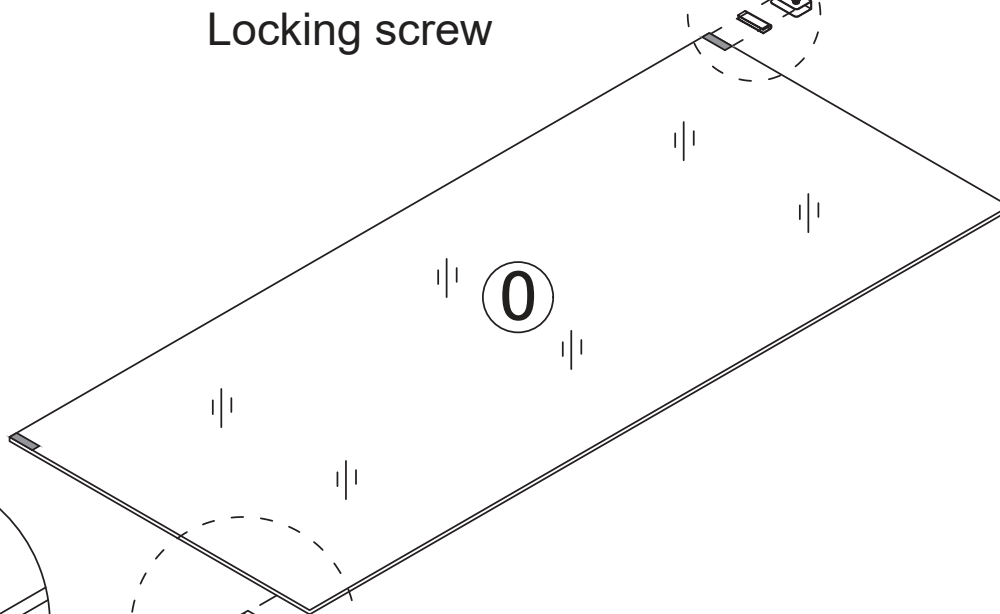
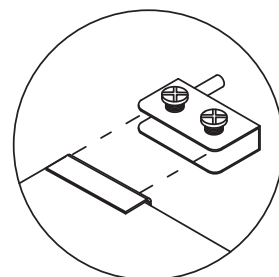
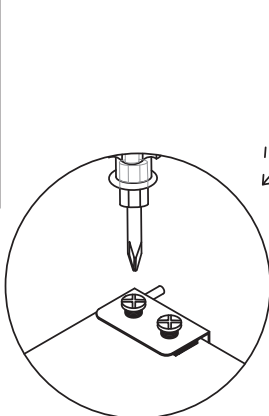
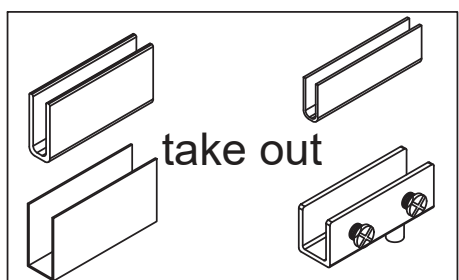
First, loosen
the screws.



8

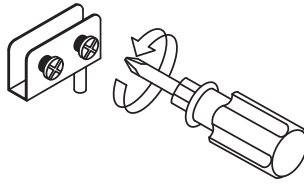


1. Take out the white foam pad
2. Fit the pad around the edge of the glass panel
3. Then slide the metal clamp over the assembled position
4. Finally, tighten the screws securely

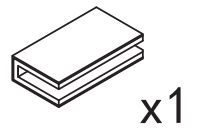


Step 31

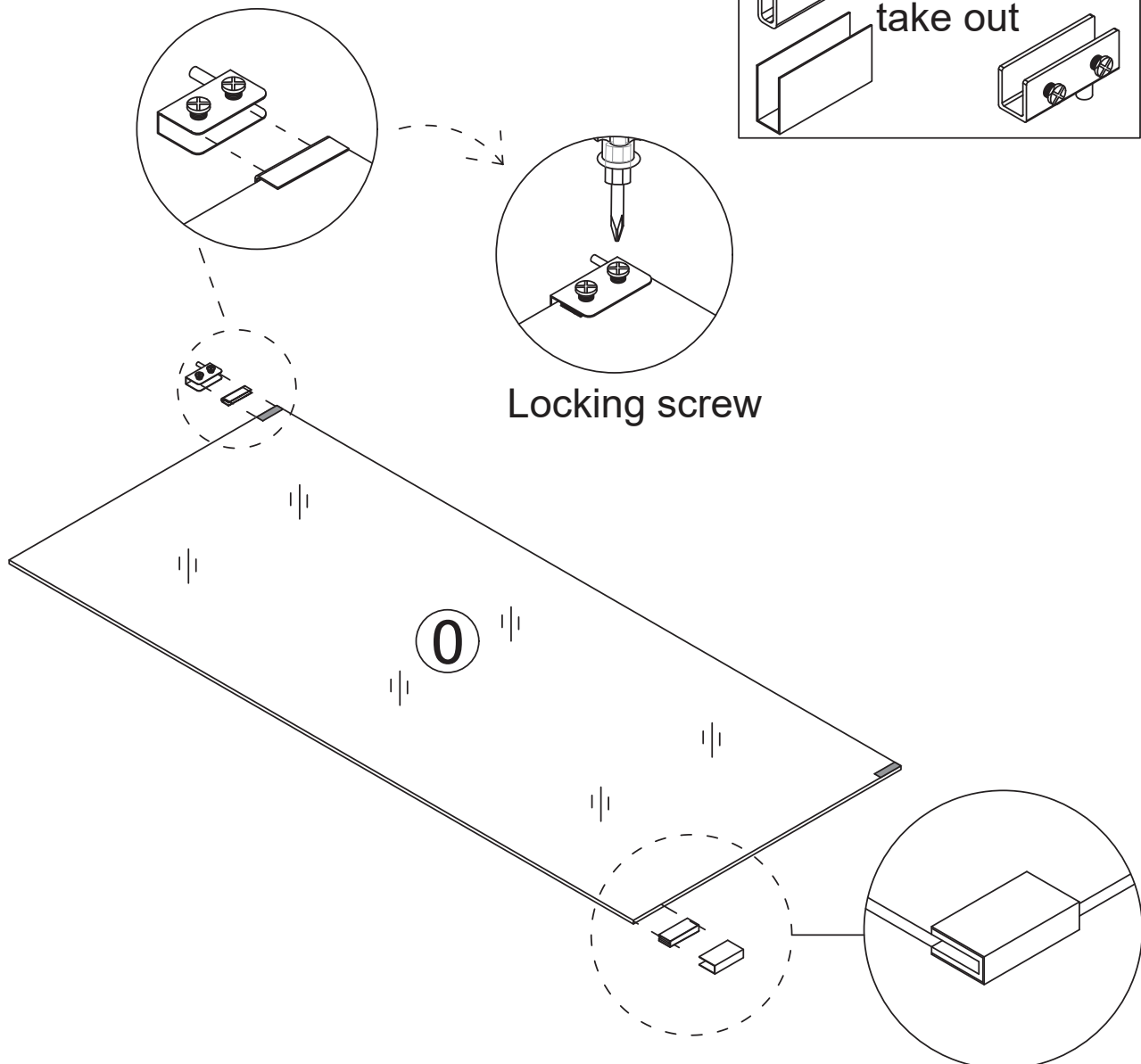
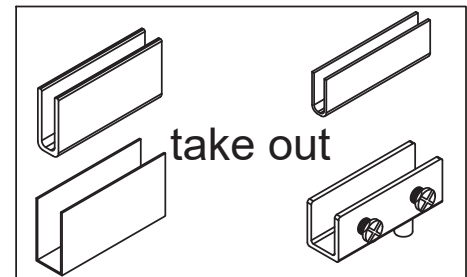
First, loosen the screws.



8

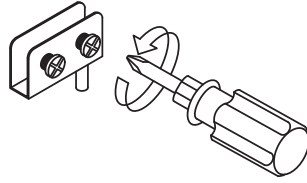


1. Take out the white foam pad
2. Fit the pad around the edge of the glass panel
3. Then slide the metal clamp over the assembled position
4. Finally, tighten the screws securely

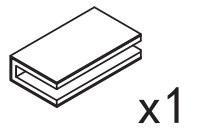


Step 32

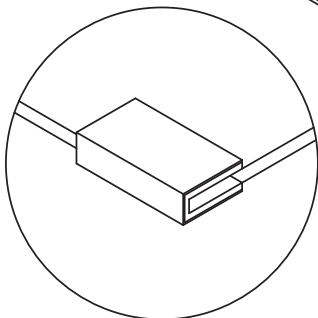
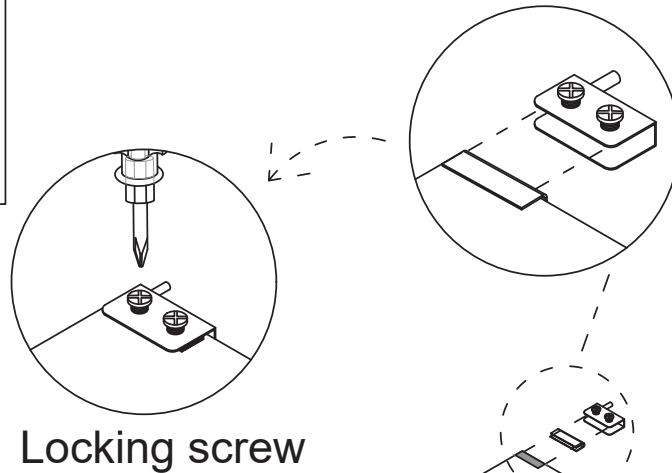
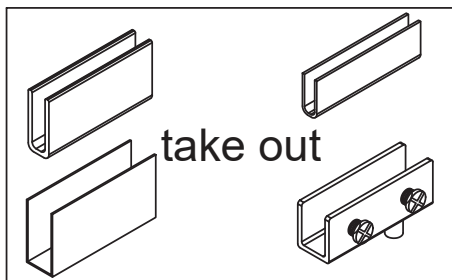
First, loosen
the screws.



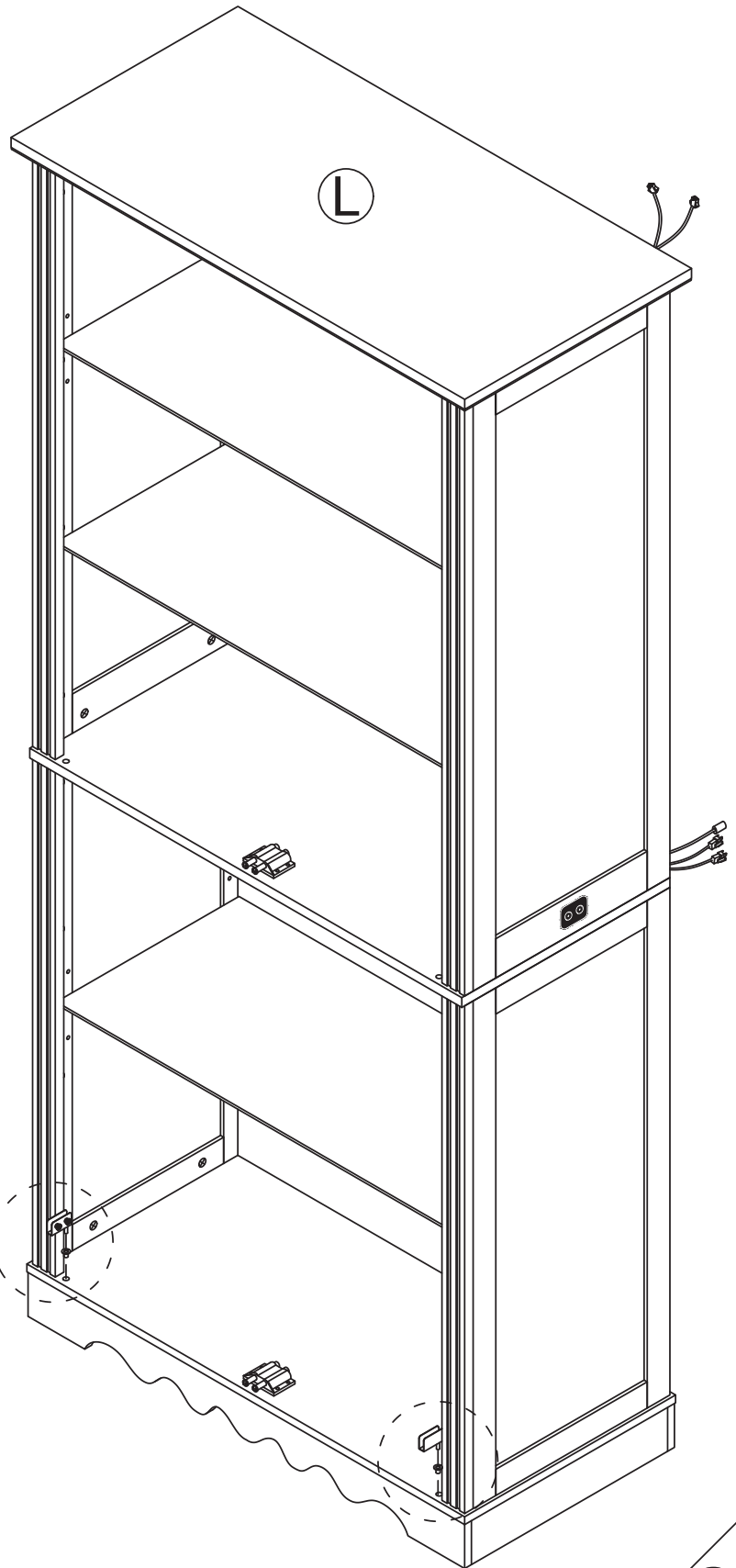
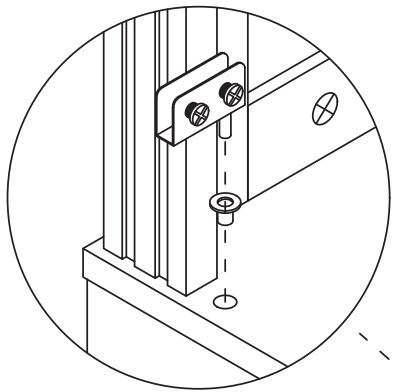
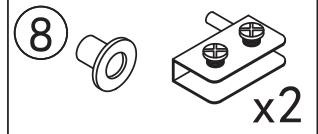
8



1. Take out the white foam pad
2. Fit the pad around the edge of the glass panel
3. Then slide the metal clamp over the assembled position
4. Finally, tighten the screws securely



Step 33



8

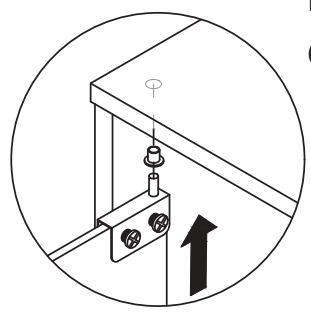


x2

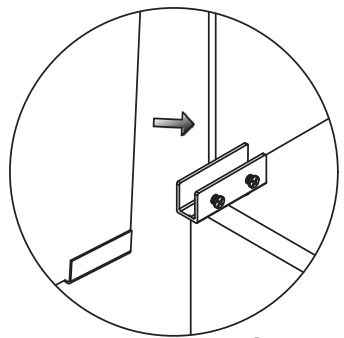
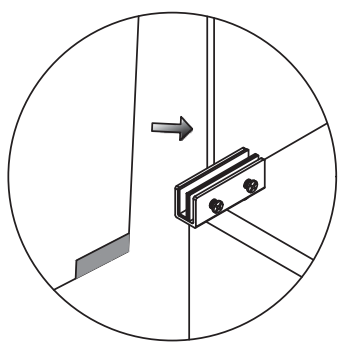
Step 34

Pay attention to the direction of the door hinge during installation

When installing a glass door, it is recommended to have two people install it to avoid the glass door colliding or hitting oneself.

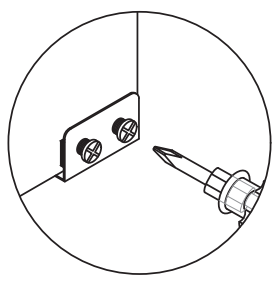


first



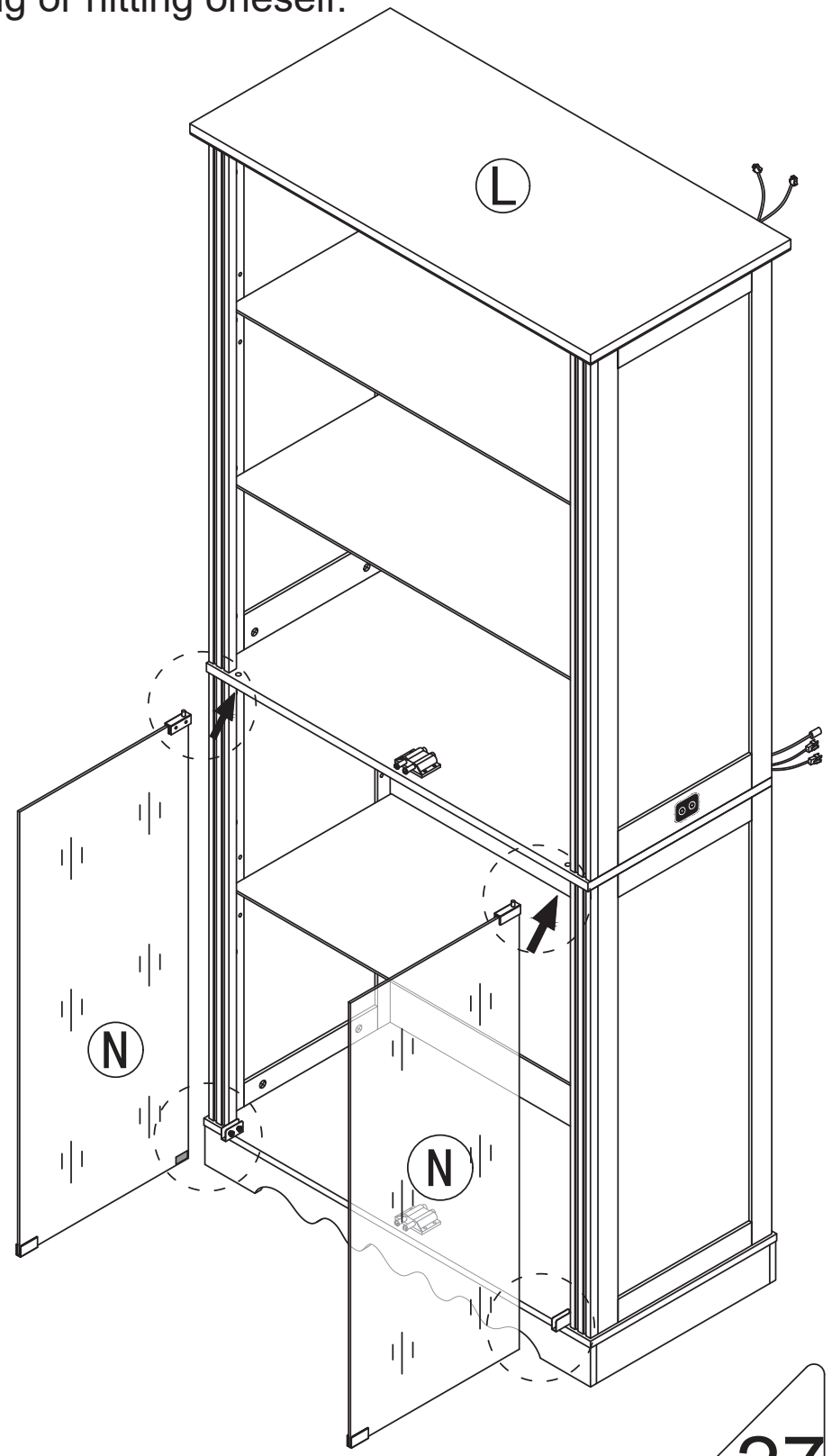
second

Insert the glass into the door hinge's slot.

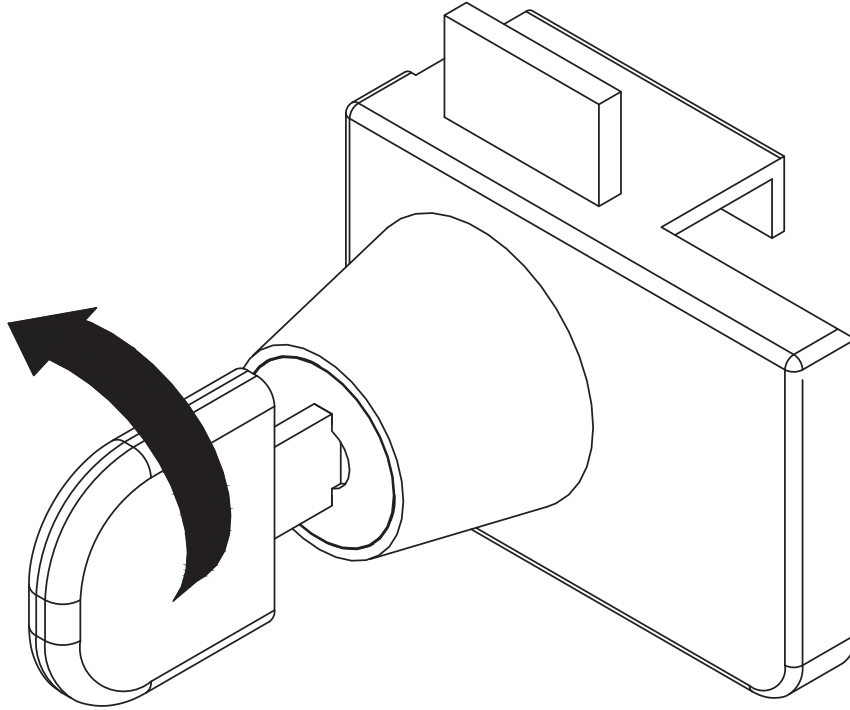


third

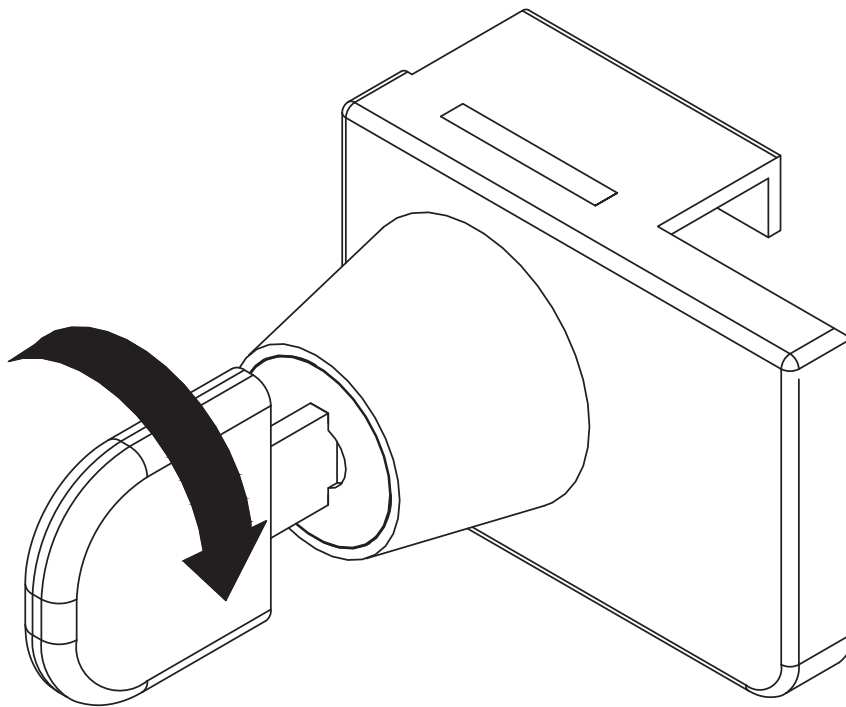
Locking screw



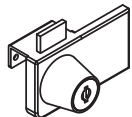
Tip: Turning the door lock to the right will close it



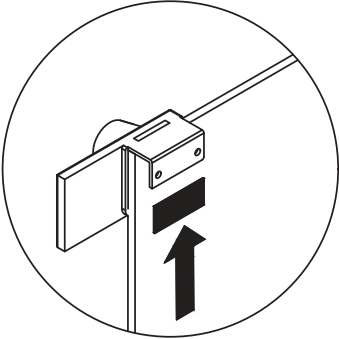
Tip: Turning the door lock to the left opens it



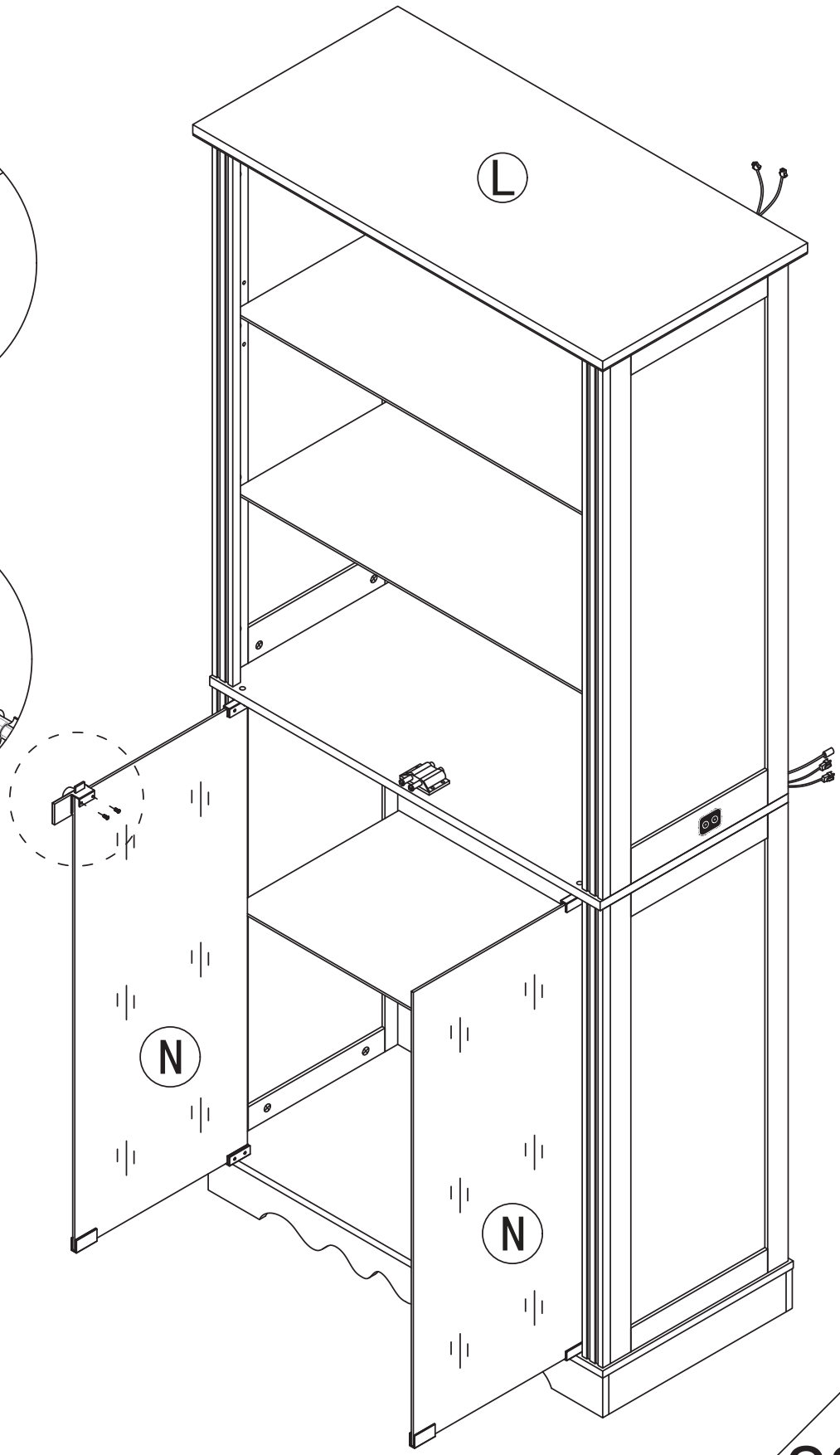
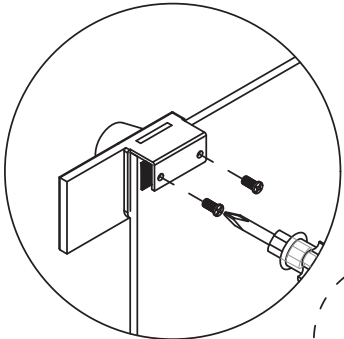
Step 35

10  x1

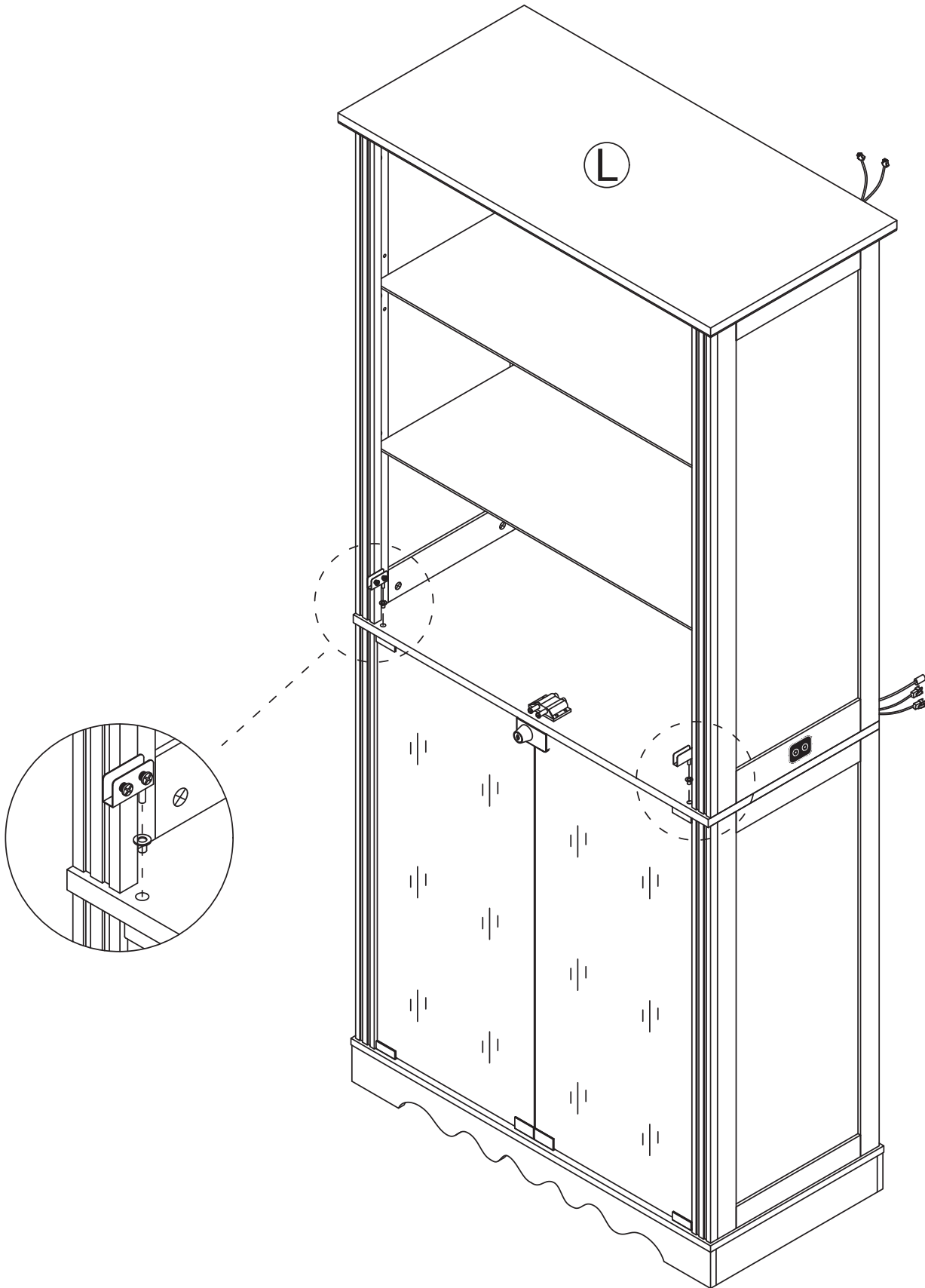
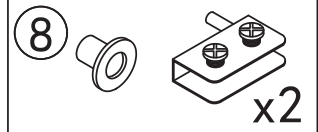
first



second



Step 36



8

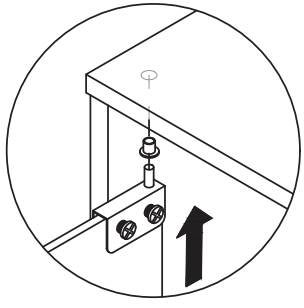


x2

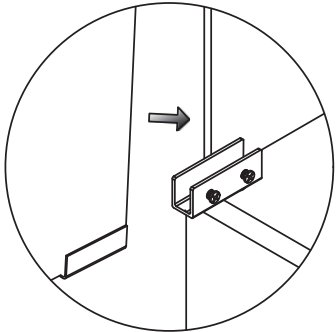
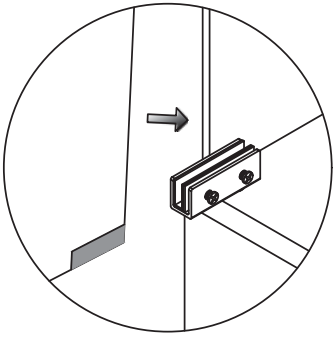
Step 37

Pay attention to the direction of the door hinge during installation

When installing a glass door, it is recommended to have two people install it to avoid the glass door colliding or hitting oneself.

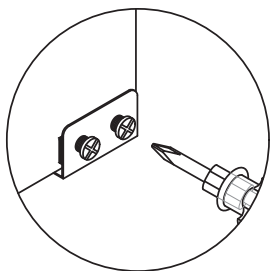


first



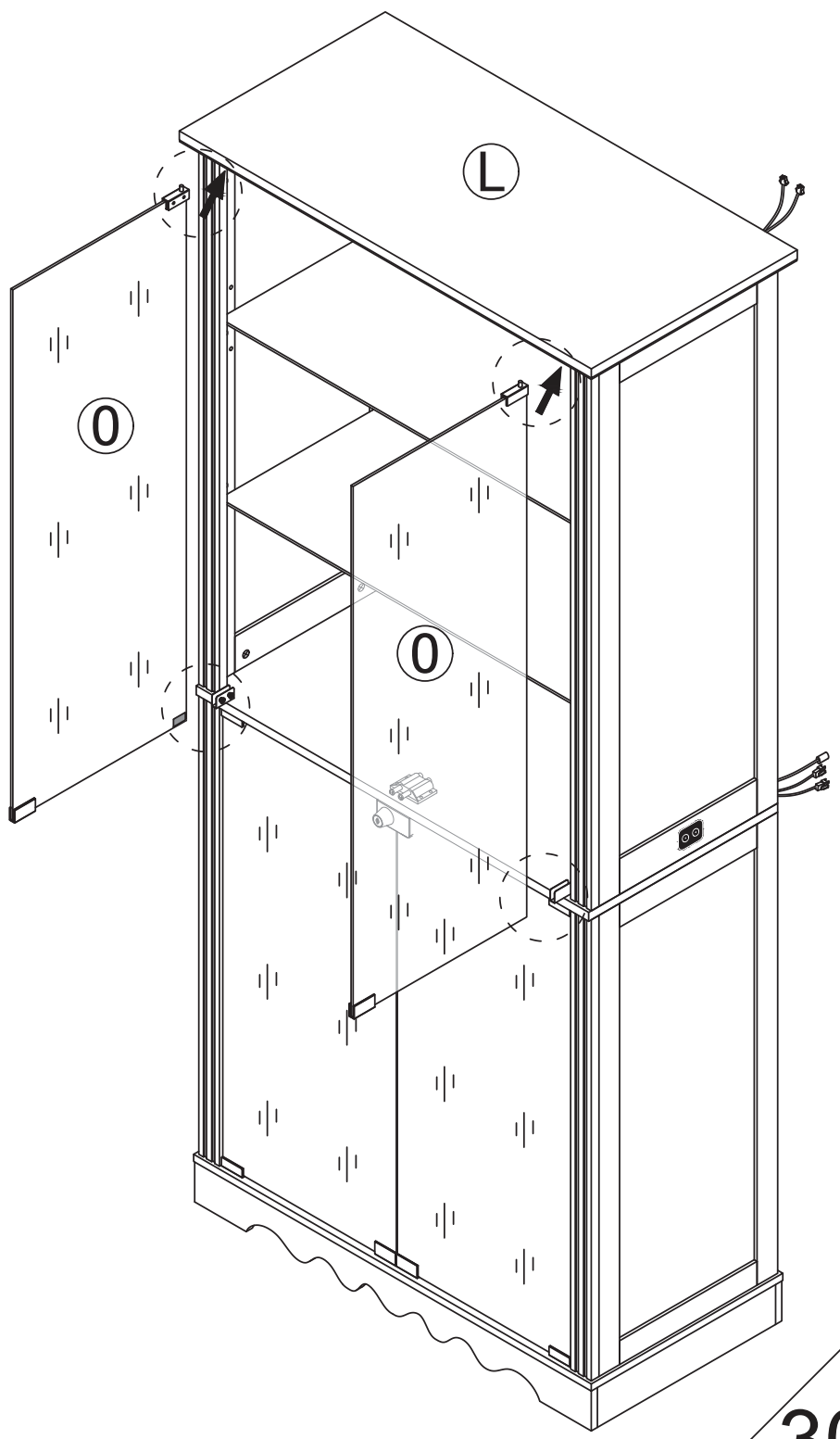
second

Insert the glass into the door hinge's slot.



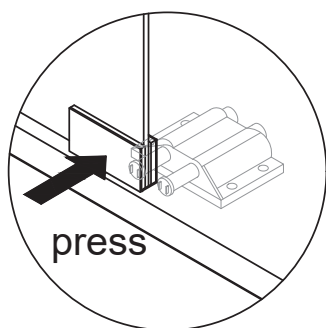
third

Locking screw

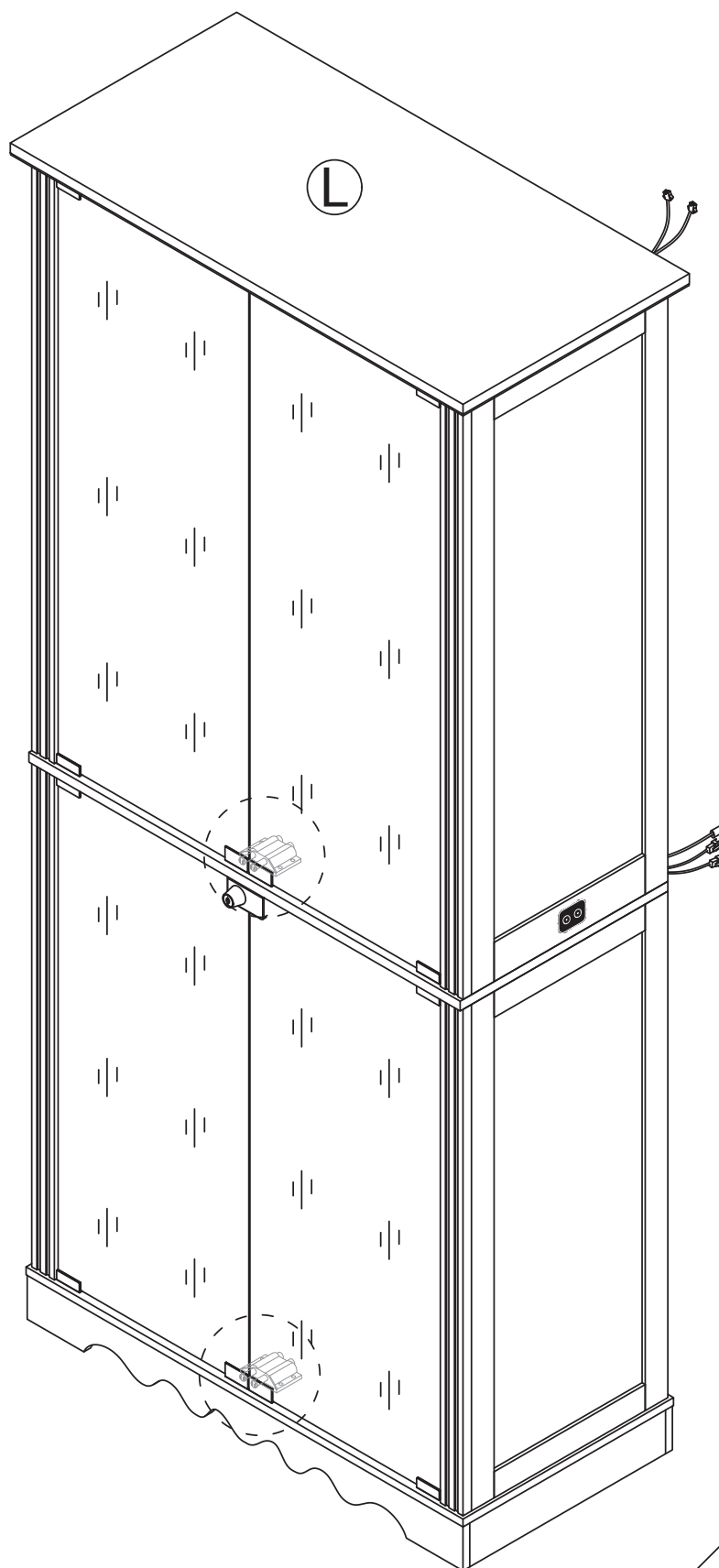
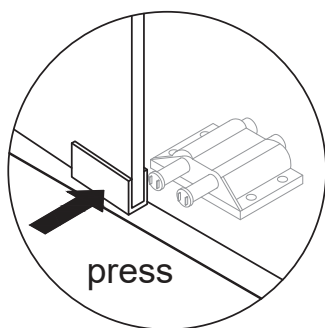


Step 38

Open the glass door

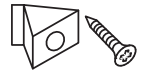


Close the glass door

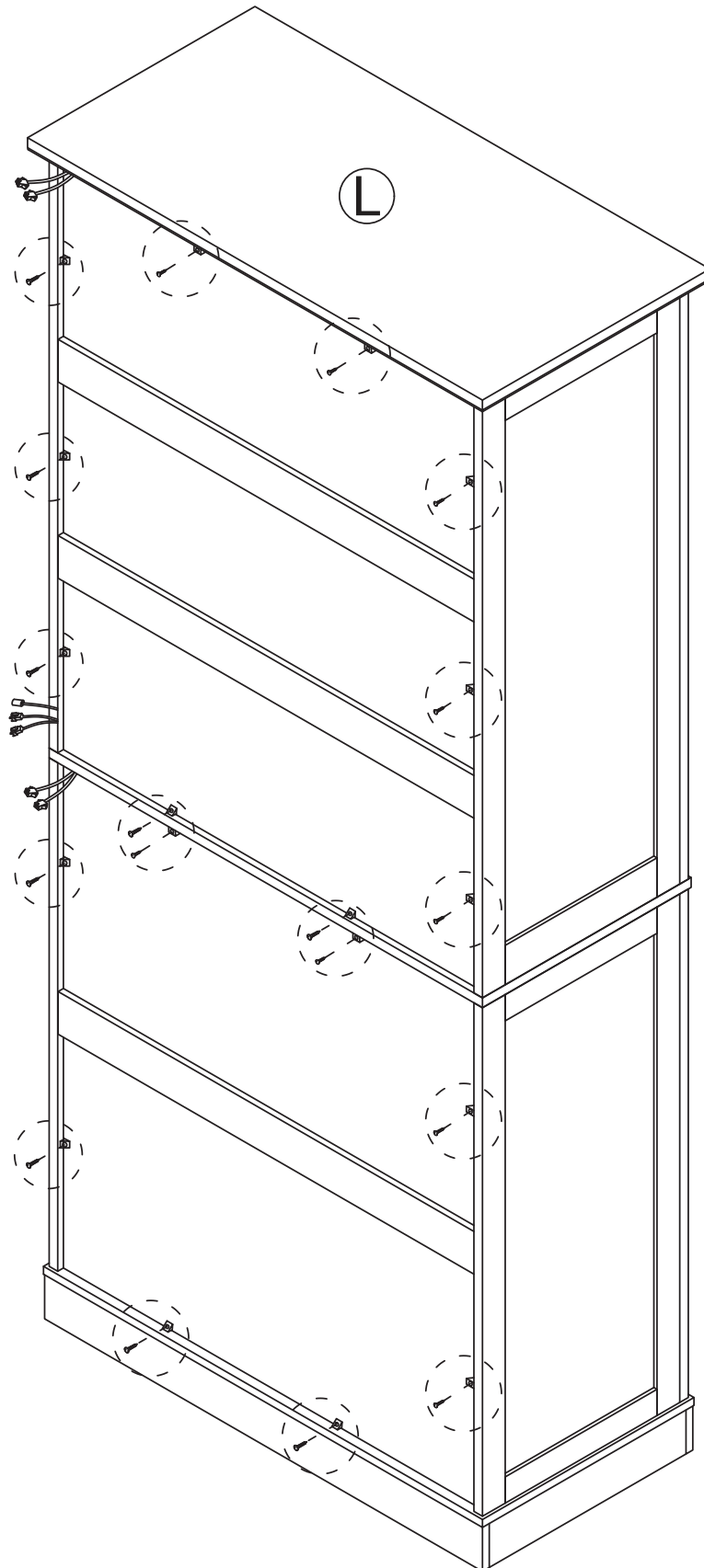
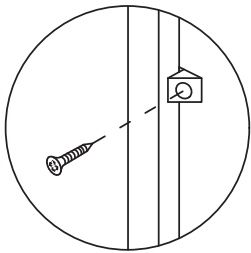


Step 39

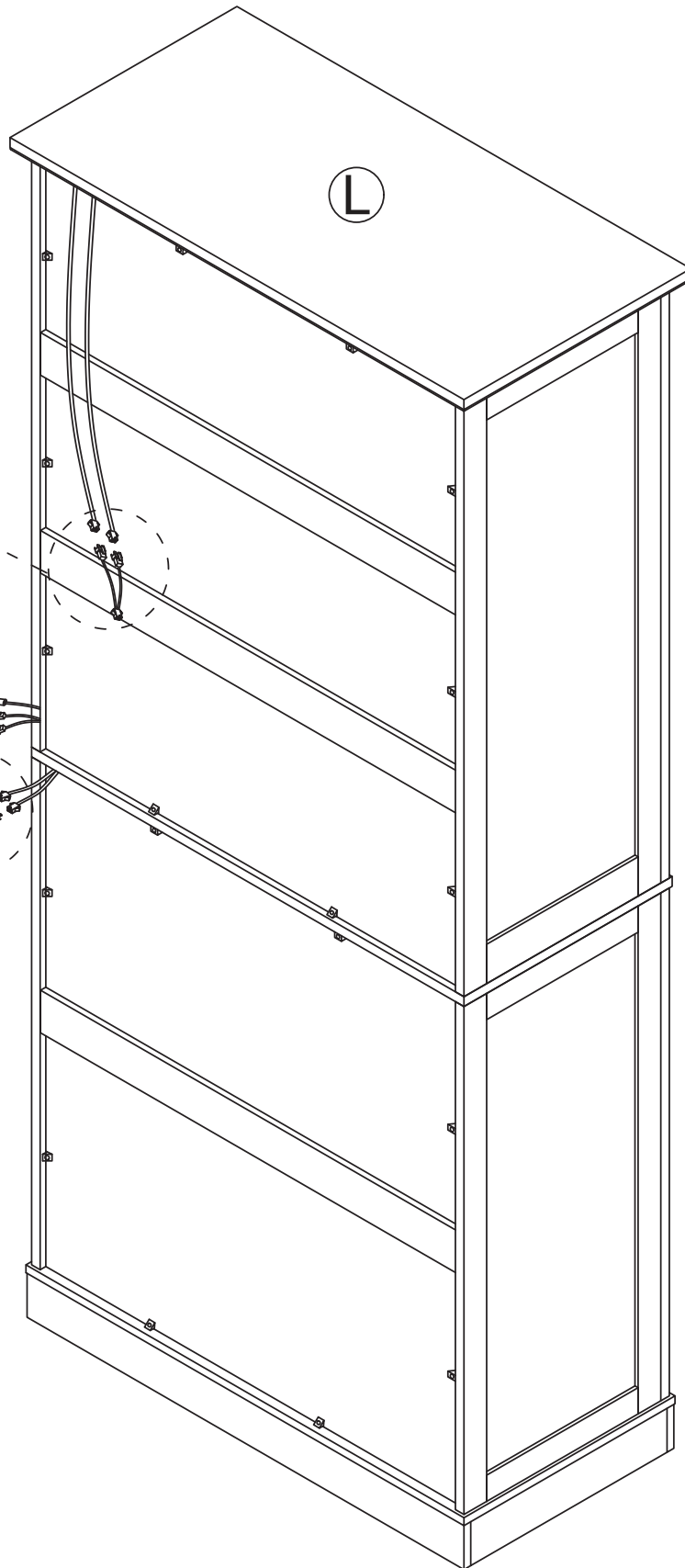
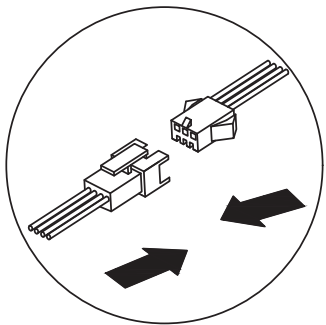
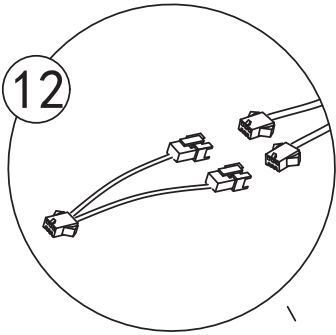
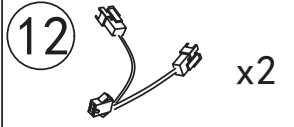
5



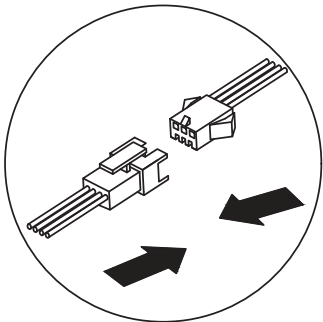
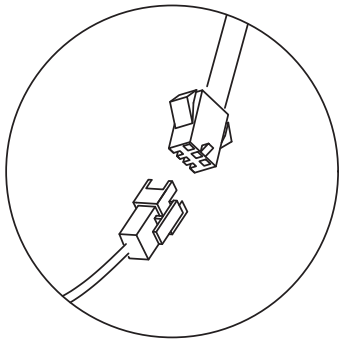
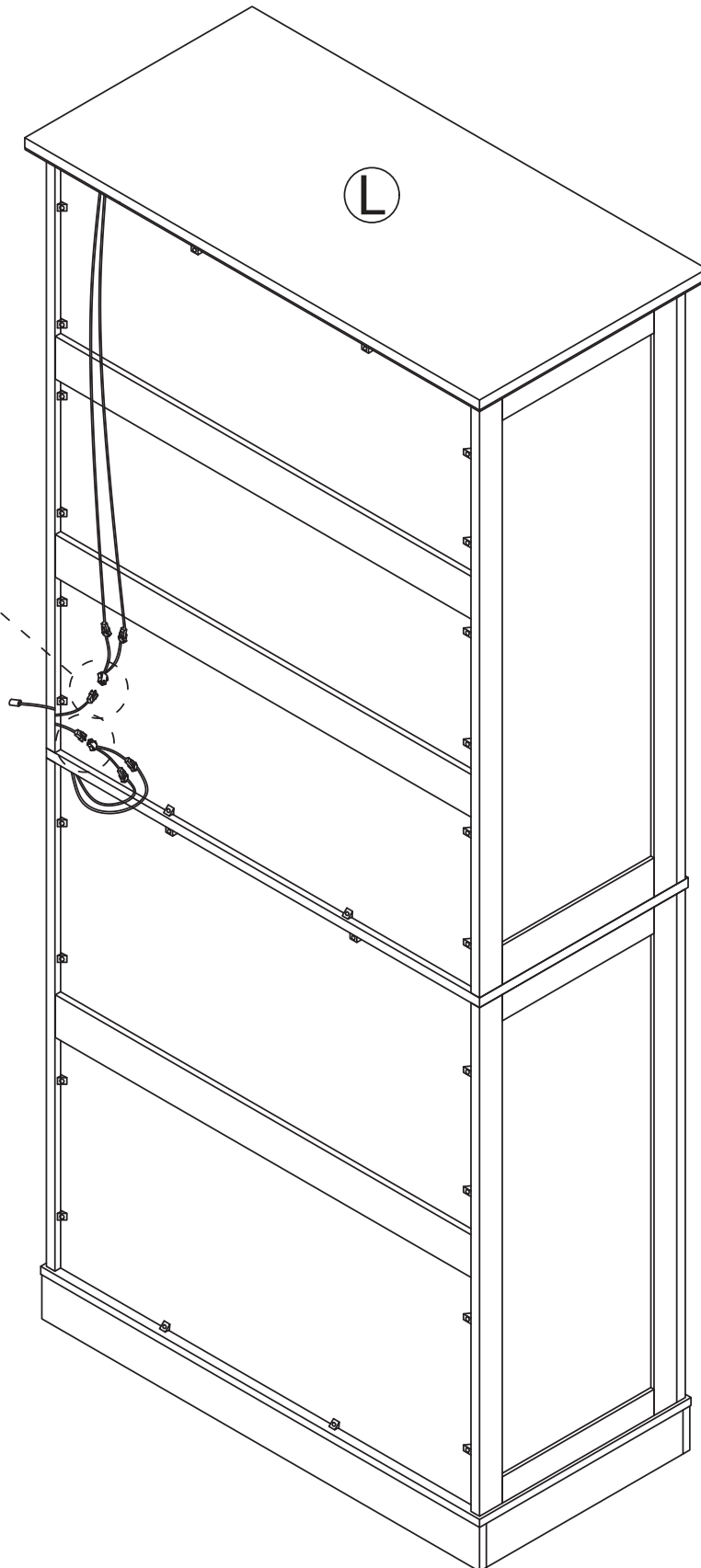
x18



Step 40

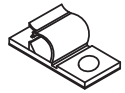


Step 41

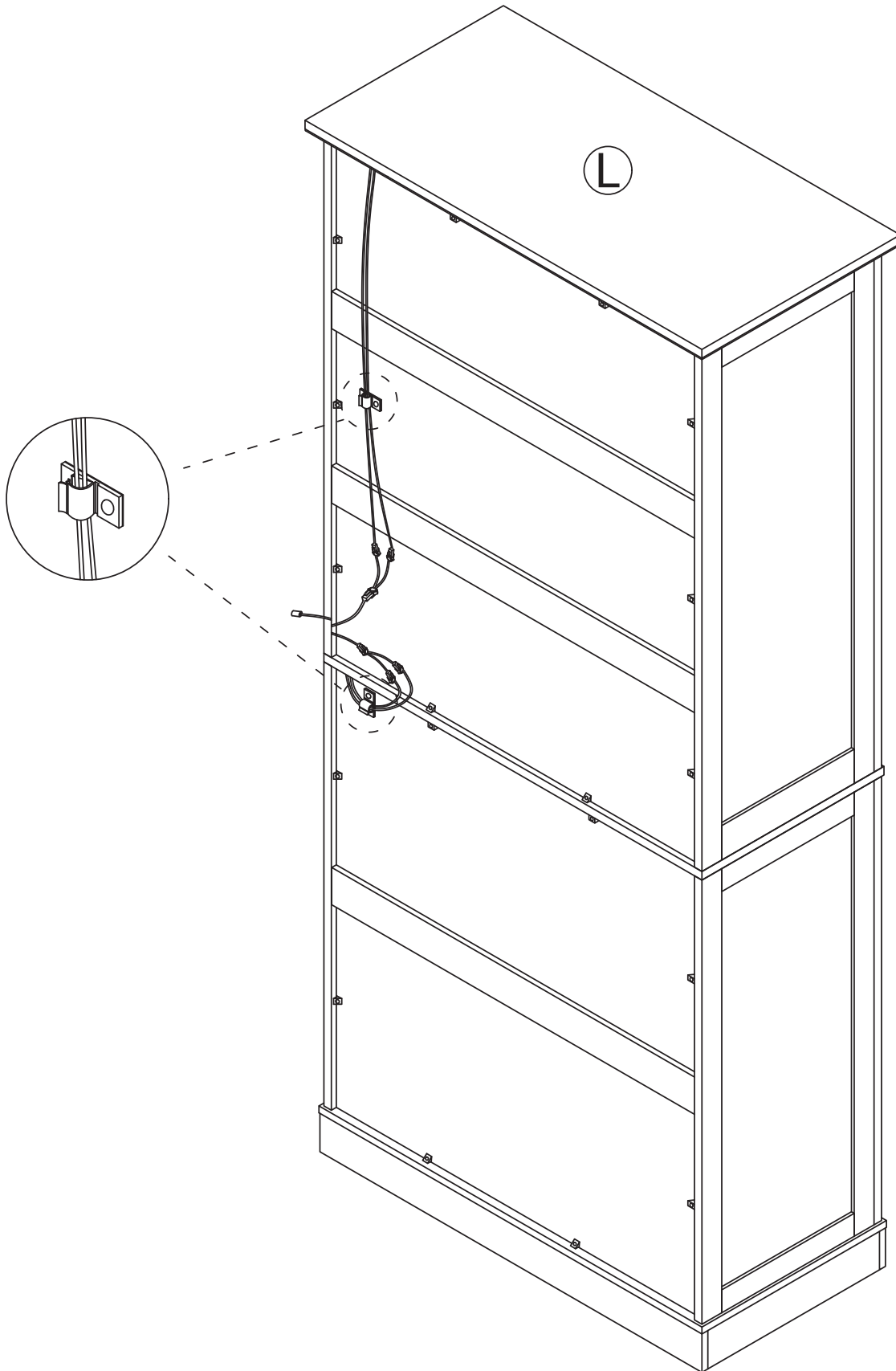


Step 42

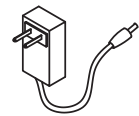
6



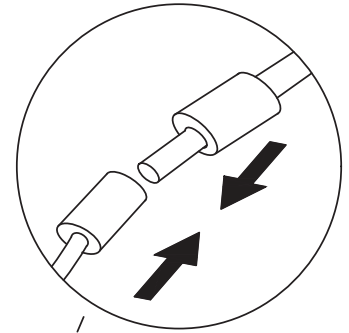
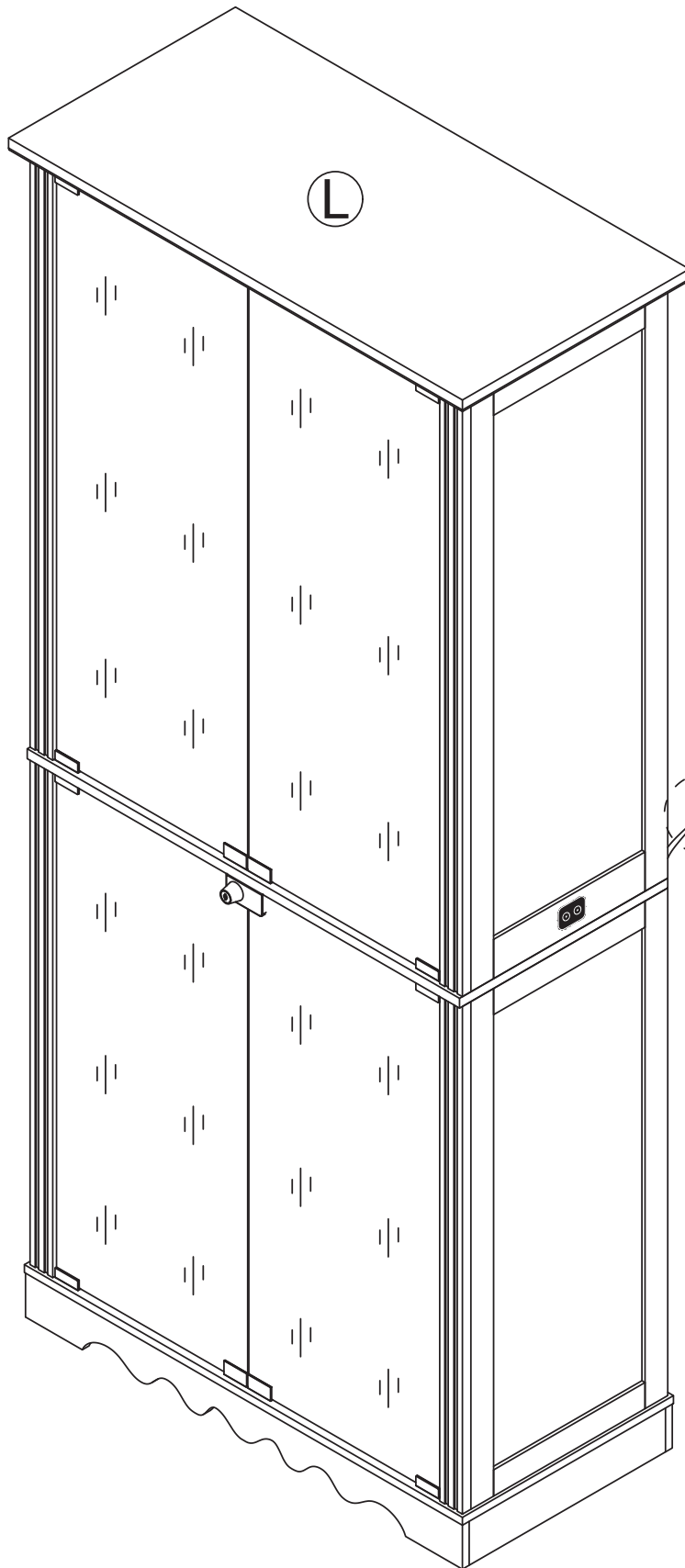
x2



Step 43

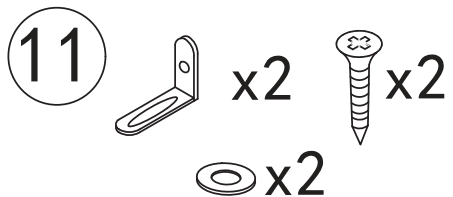


x1

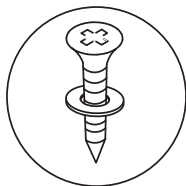


Step 44

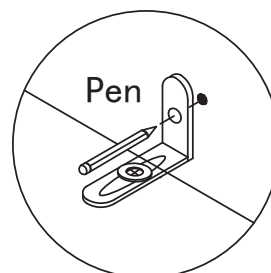
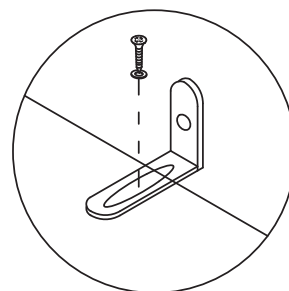
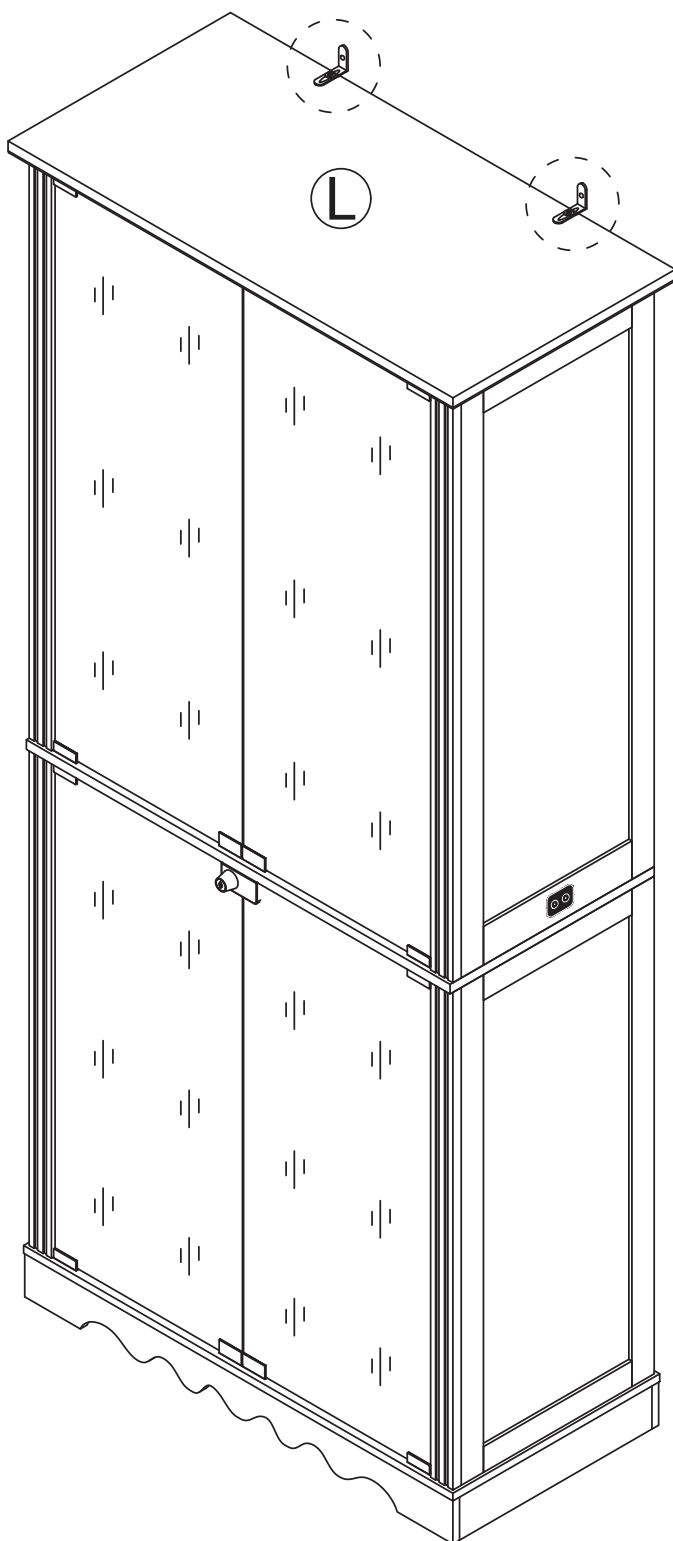
Install as required



3.5x14mm



Install the anti fall hardware on the cabinet as shown in the picture first

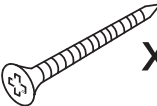



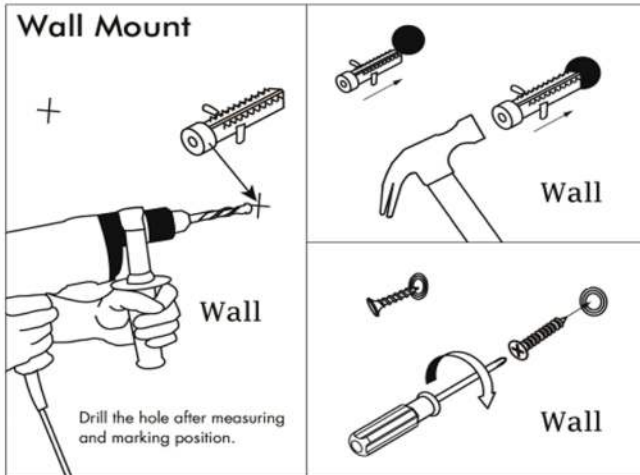
Then mark the wall with a pen through the holes in the anti-fall hardware

Step 45

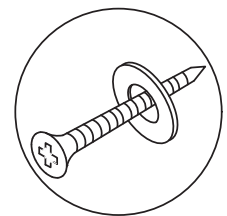
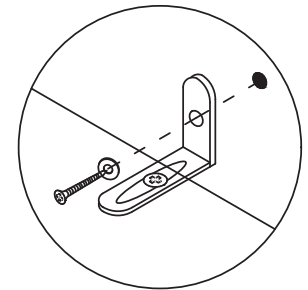
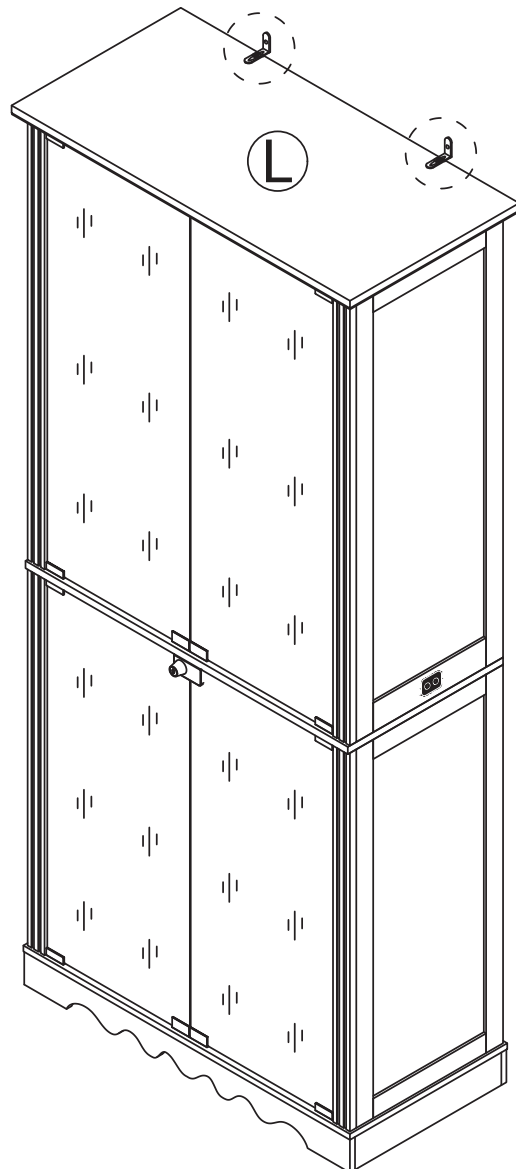
11

 x2

 x2  x2



Drill the hole with an electric drill and punch in the colloidal particles



4x45mm

Fix the dressing table to the wall

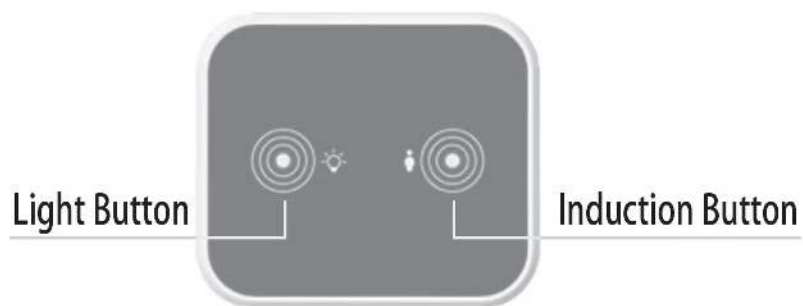
User's Guide

Thank you for purchasing this product. To use this product, please plug it into a 12V DC power supply. Please use if the product works normally after connecting to power.

Introduction

The box is an intelligent controller with 2 touch buttons. It can turn ON/OFF the light, change light colors, and adjust the light luminance.

Product Show



ATTENTION PLEASE

1. If there is no touch response suddenly, Re-plug the power to reset the touch static electricity.
2. If bubbles appear on the panel, remove the protective film.

Operation



This touch button is used to turn on/off, change colors, and adjust brightness.

A. Short touch -> lighting on -> short touch -> change light color -> short touch -> change light color -> short touch -> lighting off. B. Long touch -> adjust the luminance



This touch button is used to turn on/off the induction function.

A. Short touch to turn on the induction function. It can auto-turn on the light when people are close to the controller in 1 meters. It can auto power off the light when the body is far away from the controller after 30 seconds.

B. Long touch to turn off the induction function.

C. Note: When you touch the light button to change the light modes, the induction function will automatically turn off. It is best to turn on this function after selecting the light color and adjusting the brightness you want.