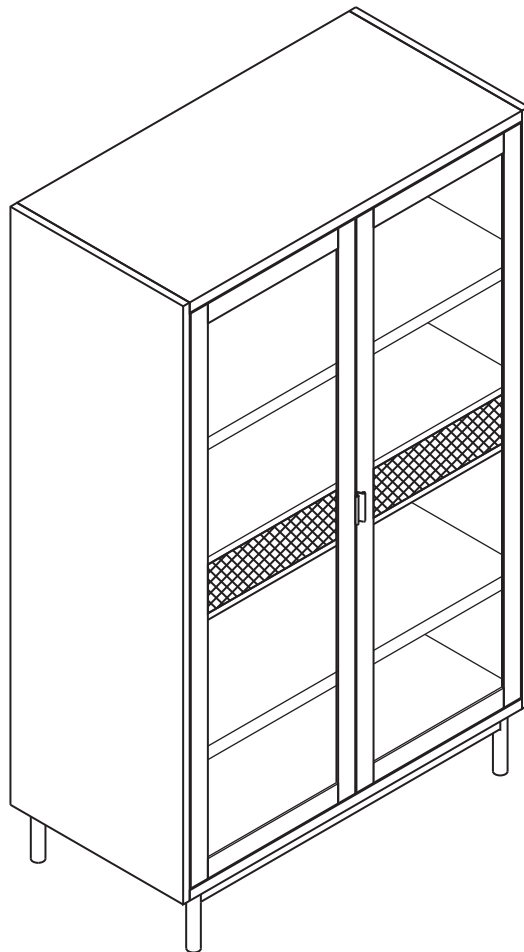


POLY & BARK

Assembly Instructions

Nuvon Cabinet

V1.08.05.25 | ITEM# DI-K019



Assembly Instructions

Nuvon Cabinet

ASSEMBLY REQUIREMENT

2 PEOPLE ASSEMBLY | 90 MINUTES ASSEMBLY TIME (APPROXIMATE)

TOOL REQUIRED: ALLEN WRENCH (PROVIDED)

SCREWDRIVER - FLATHEAD SCREWDRIVER - DRILL (NOT PROVIDED)

ASSEMBLY PREPARATION

1. Remove all packaging materials, staples and packaging straps from carton.
2. Refer to Parts Checklist and ensure they are complete before you start assembling.
3. Place all components on a clean, flat and soft surface (e.g. carpet or rug) to prevent parts from getting scratched.

TIPS FOR ASSEMBLY

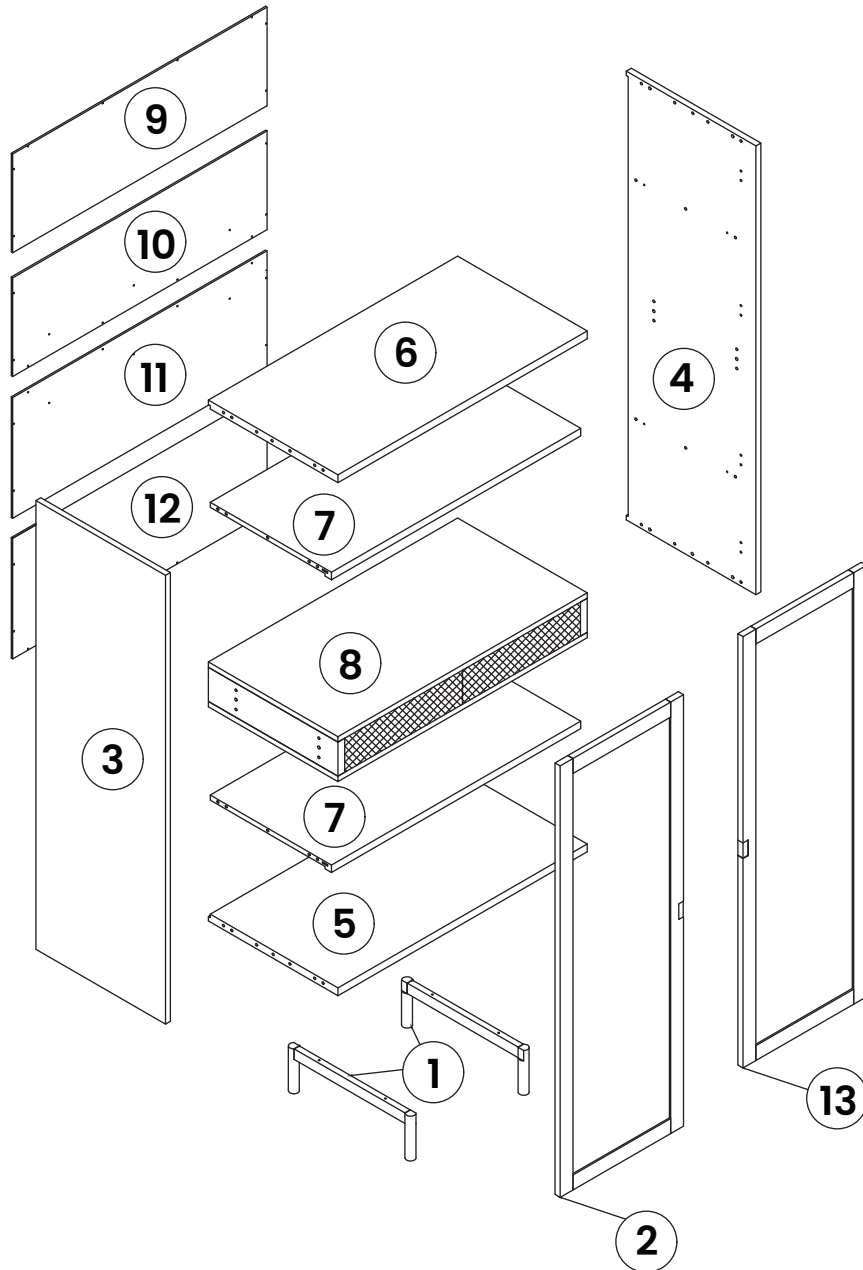
1. Allow ample room for assembly and in close proximity to where product will be placed.
2. Assemble the product on a surface that does not scratch or damage the exterior and finish of the furniture.
3. During assembly, do not over-tighten any fittings as this may cause damage.
4. DO NOT USE POWER TOOLS TO ASSEMBLE THIS PRODUCT.
5. Do not sit or stand on the partially assembled product, only use the product for which it is intended.

CARE AND USE

- Recommended for indoor and residential use only.
- Wipe with a soft, dry cloth. Do not use harsh abrasives or household cleaners as they may damage the finish.
- Check all the fittings periodically and re-tighten as necessary. Do not use the product if any of the parts is damaged or broken.
- Never allow any kind of liquid to remain on your furniture. Absorption can cause surface to warp or delaminate.
- Do not place hot items (e.g hot drinks) directly onto the surface.
- To ensure the safety of you, your family, and your guests, this item must be secured to the wall according to the product's assembly instructions.
- Do not drag and/or pull the furniture.

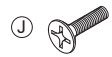
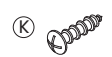


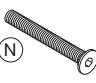




SAFETY PRECAUTIONS: 1. KEEP ALL HARDWARE PARTS OUT OF REACH OF CHILDREN. 2. DISPOSE PLASTIC PACKAGING MATERIAL IMMEDIATELY TO AVOID ANY RISK OF SUFFOCATION TO CHILDREN AND ANIMALS.

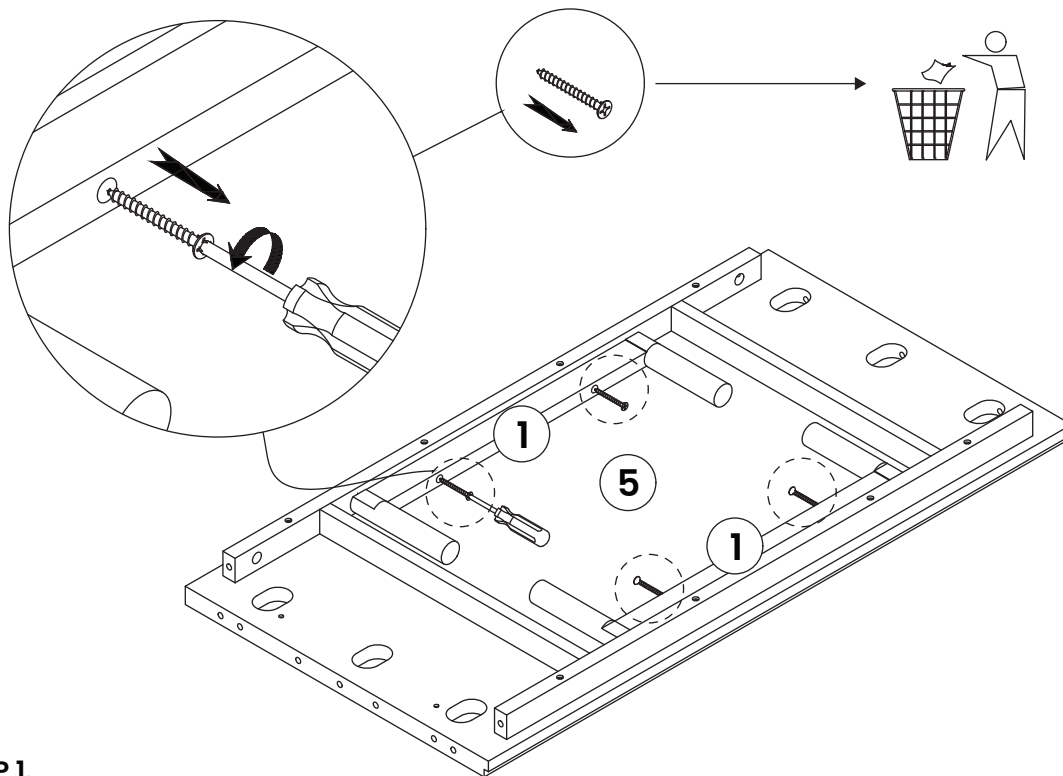
PARTS CHECKLIST



- | | | | |
|---------------------|----------------|-----------------------|-----------------------|
| ① x2 Legs | ⑤ Bottom Panel | ⑨ Back Panel - Top | ⑫ Back Panel - Bottom |
| ② Left Cabinet Door | ⑥ Top Panel | ⑩ Back Panel - Middle | ⑬ Right Cabinet Door |
| ③ Left Side Panel | ⑦ x2 Shelves | ⑪ Back Panel - Middle | |
| ④ Right Side Panel | ⑧ Drawer | | |

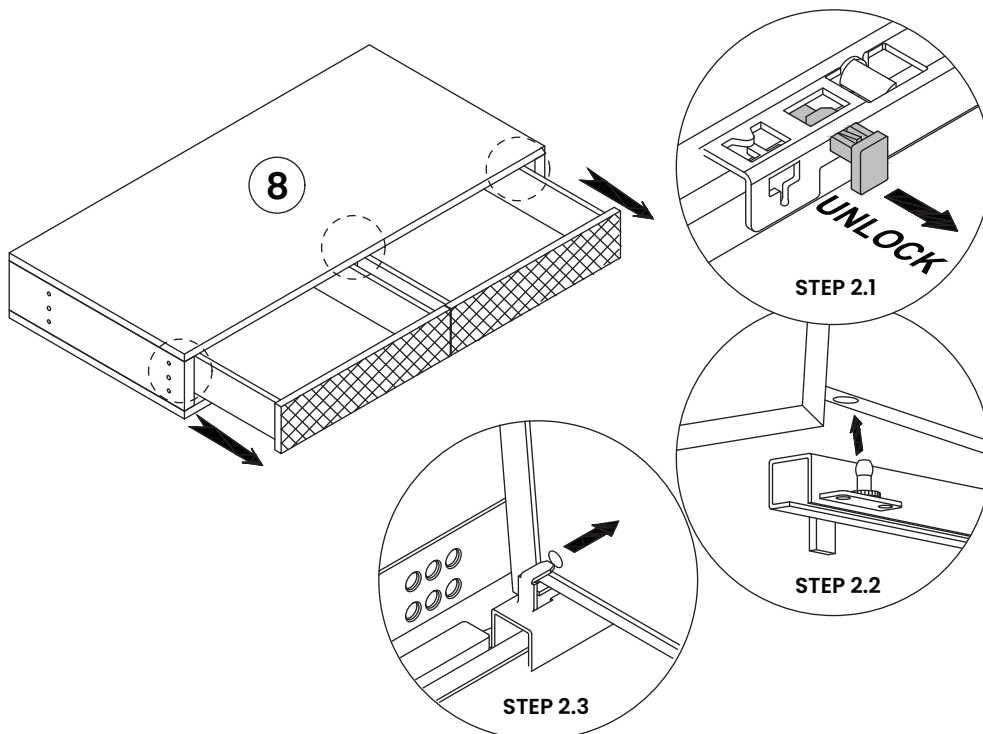
- | | | | | | | | | |
|--|--|--|--|--|---|--|--|--|
|  A |  B |  C |  D |  E |  F |  G |  H |  I |
| x36 Wooden Dowels (7.7x25) | x14 Cam Screws | x14 Cam Locks | x2 Allen Wrench | x6 Half Round Washers | x6 Bolts (M6x50) | x52 Screws (P3x19) | x36 Screws (F3.5x15) | x8 Hinges |

- | | | | | | | | | |
|--|--|--|--|--|---|--|--|--|
|  J |  K |  L |  M |  N |  O |  P |  Q |  R |
| x16 Screws (M4x15mm) | x8 Screws (P3x15) | x4 Magnetic Catch | x4 Bolts (M6x40) | x4 Bolts (M6x75) | x4 Screws (M4x50) | x4 Barrel Nuts | x6 Brackets | x2 Handles |



STEP 1.

Disassemble the Legs **(1)** attached underneath the Bottom Panel **(5)** using a Screwdriver, as shown.



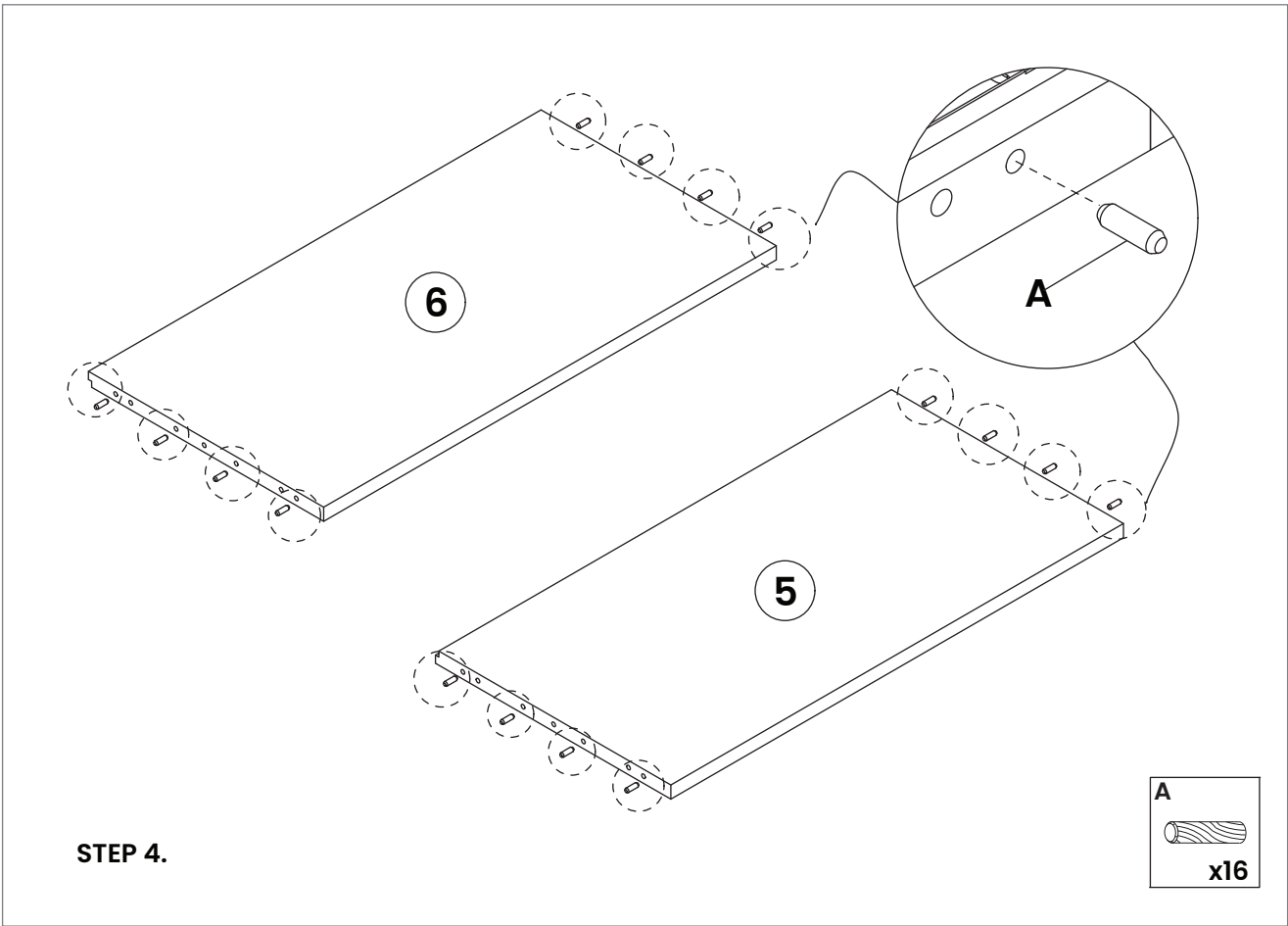
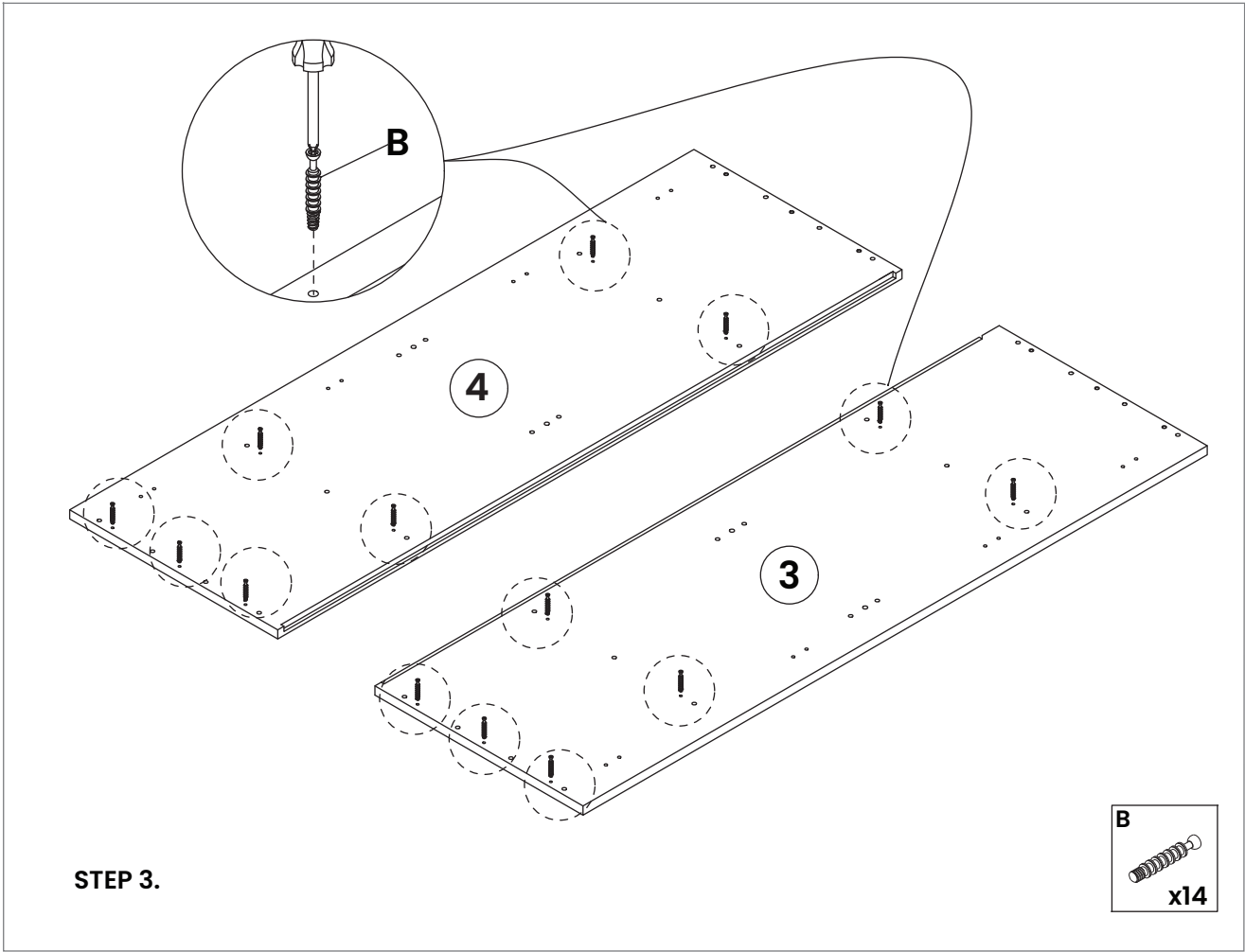
STEP 2.1: Gently press and fully extend the drawers.

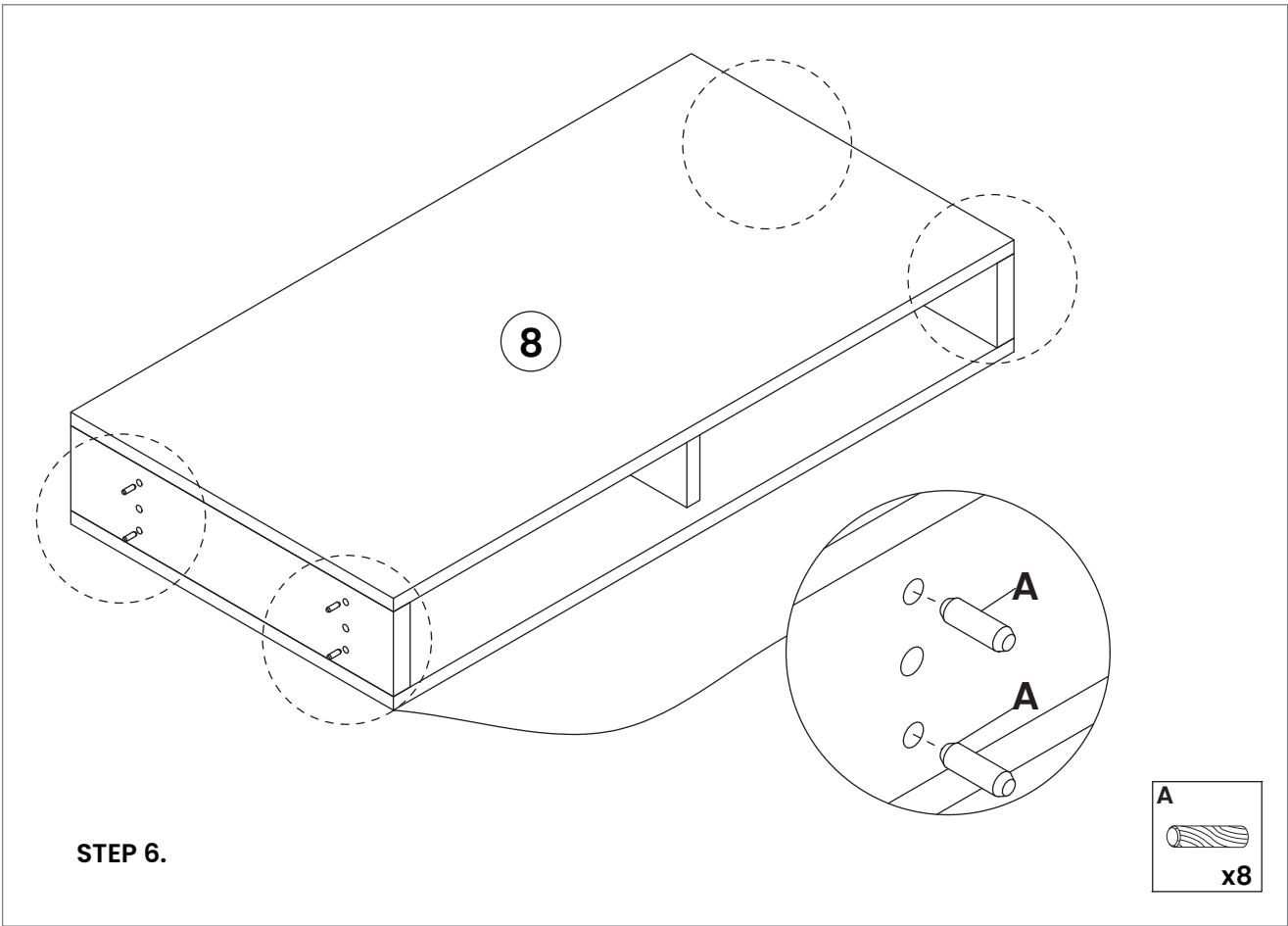
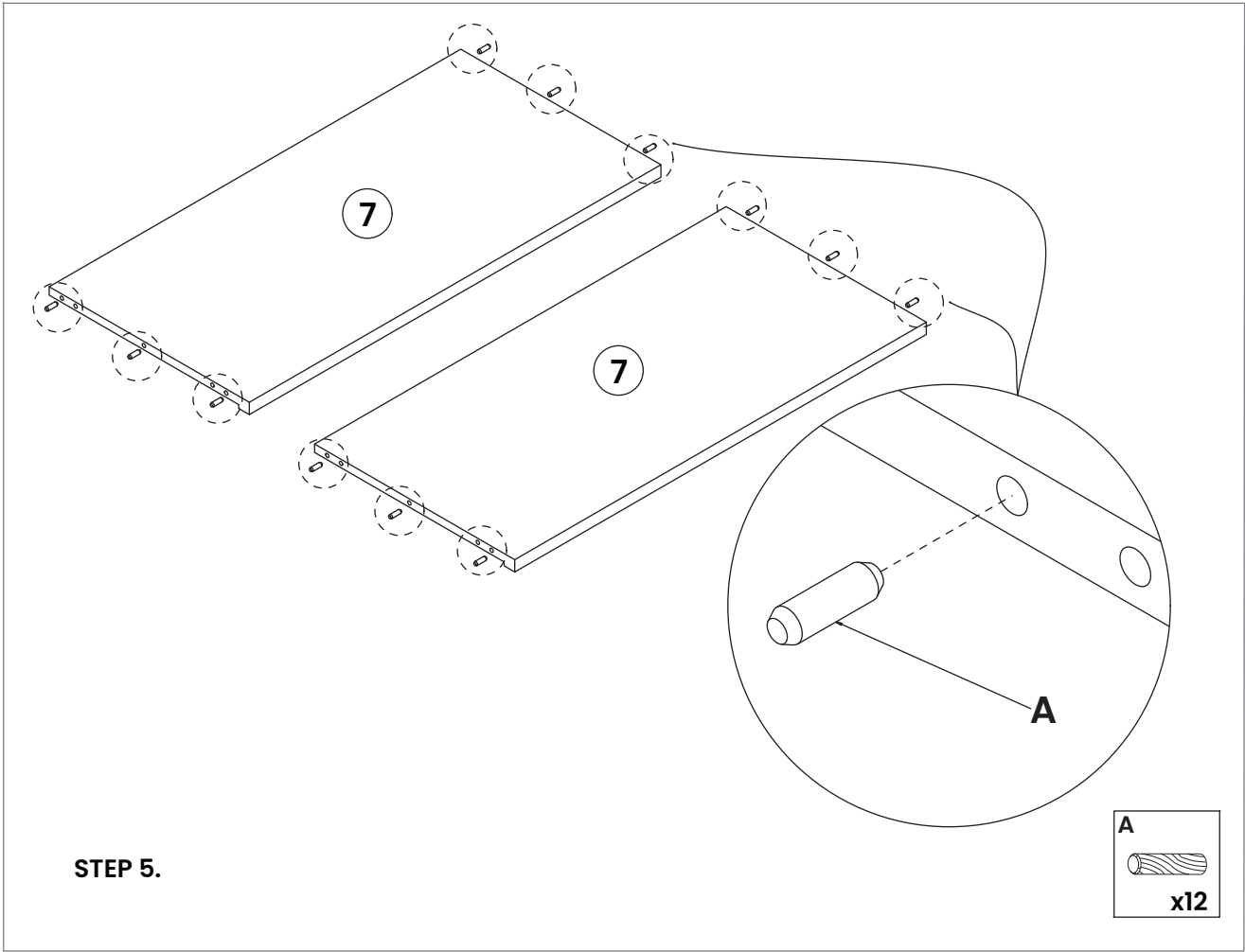
Pull the locking tabs on the drawer slides until fully unlocked.

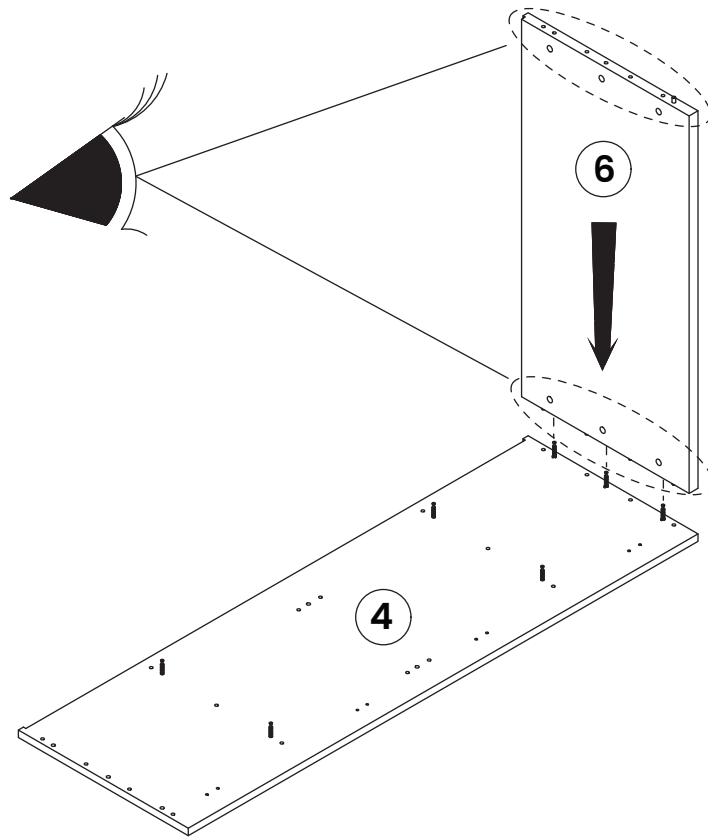
STEP 2.2: Lift the drawer slightly to release it from the slides.

STEP 2.3: Pull the drawer out completely.

It makes the next steps of assembly easier and prevents damage to the drawers during the process.

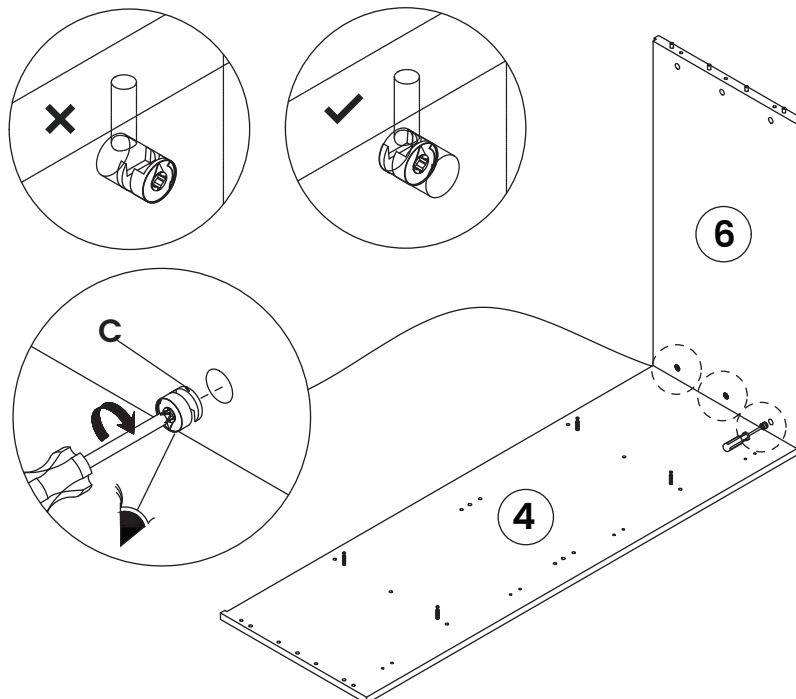






STEP 7.

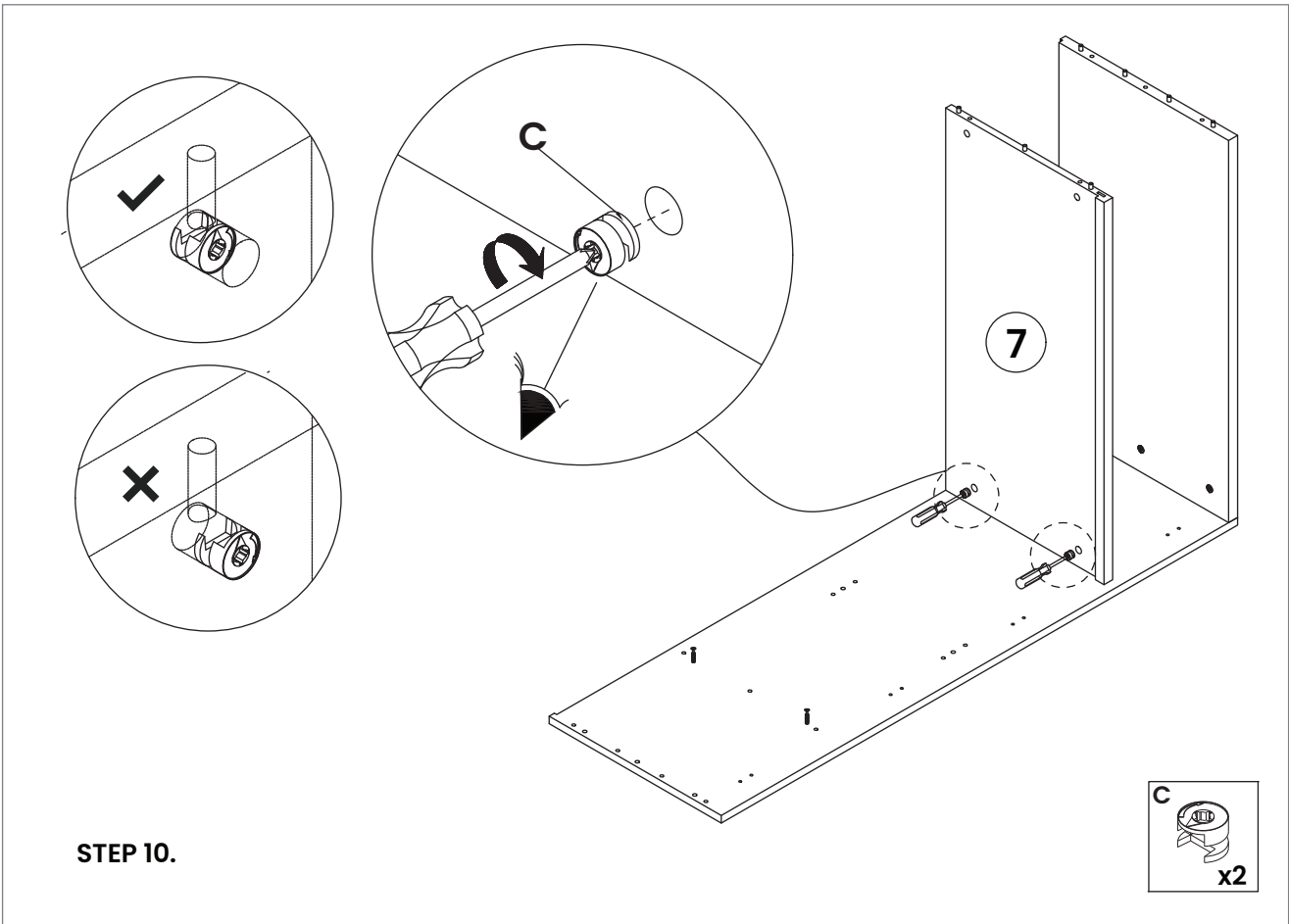
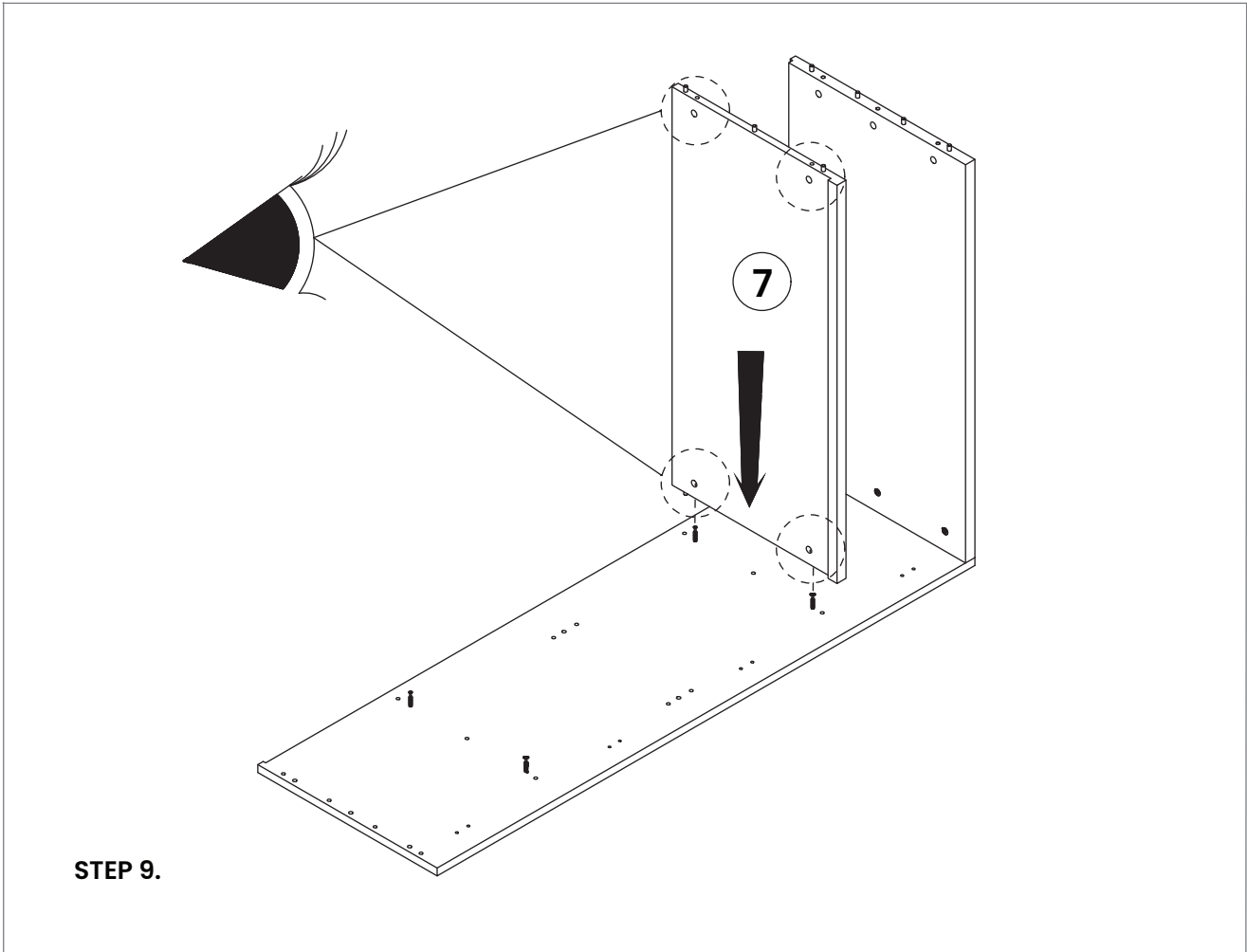
Align the angled edges of the Top Panel (6) and Side Panel (4).

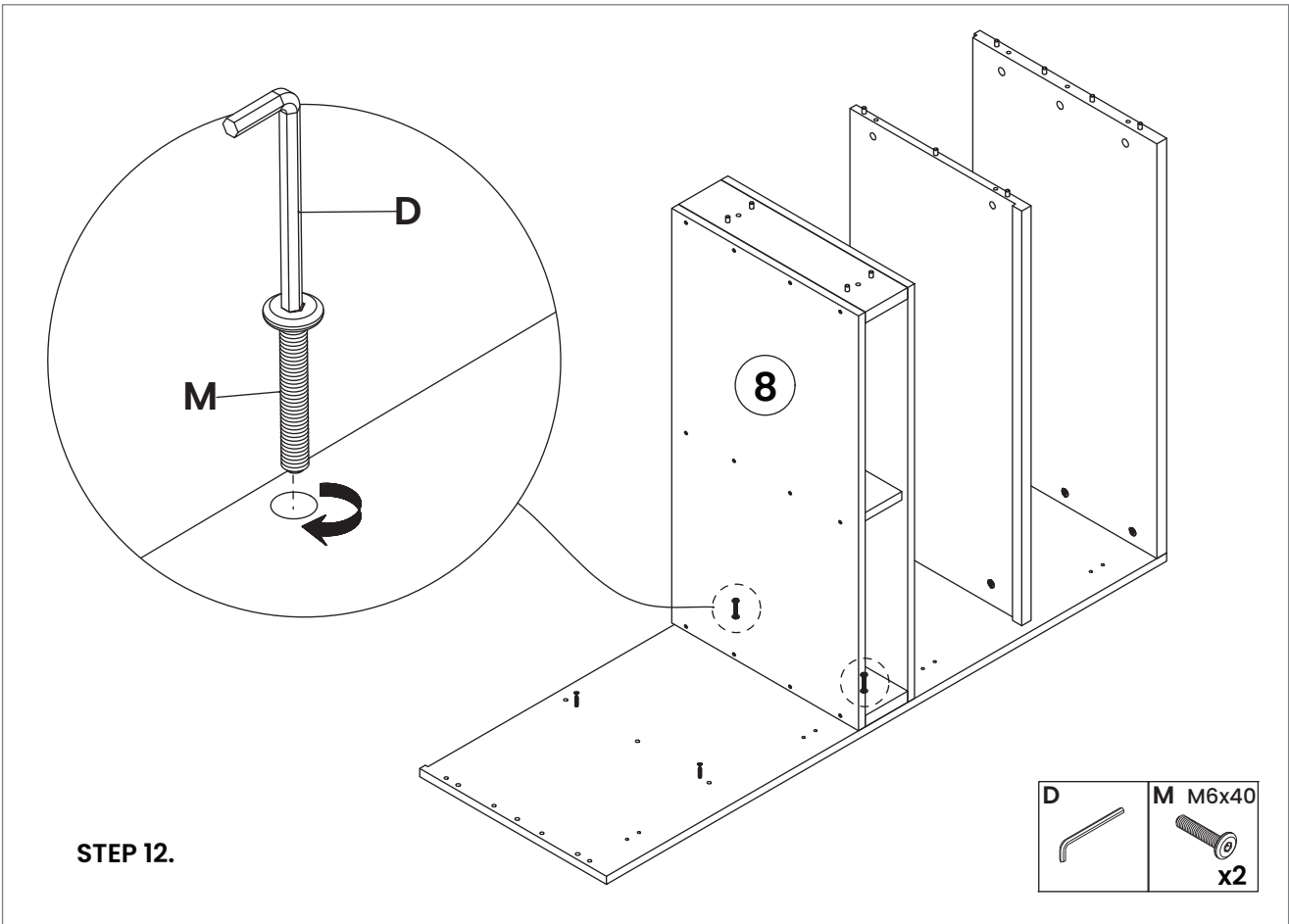
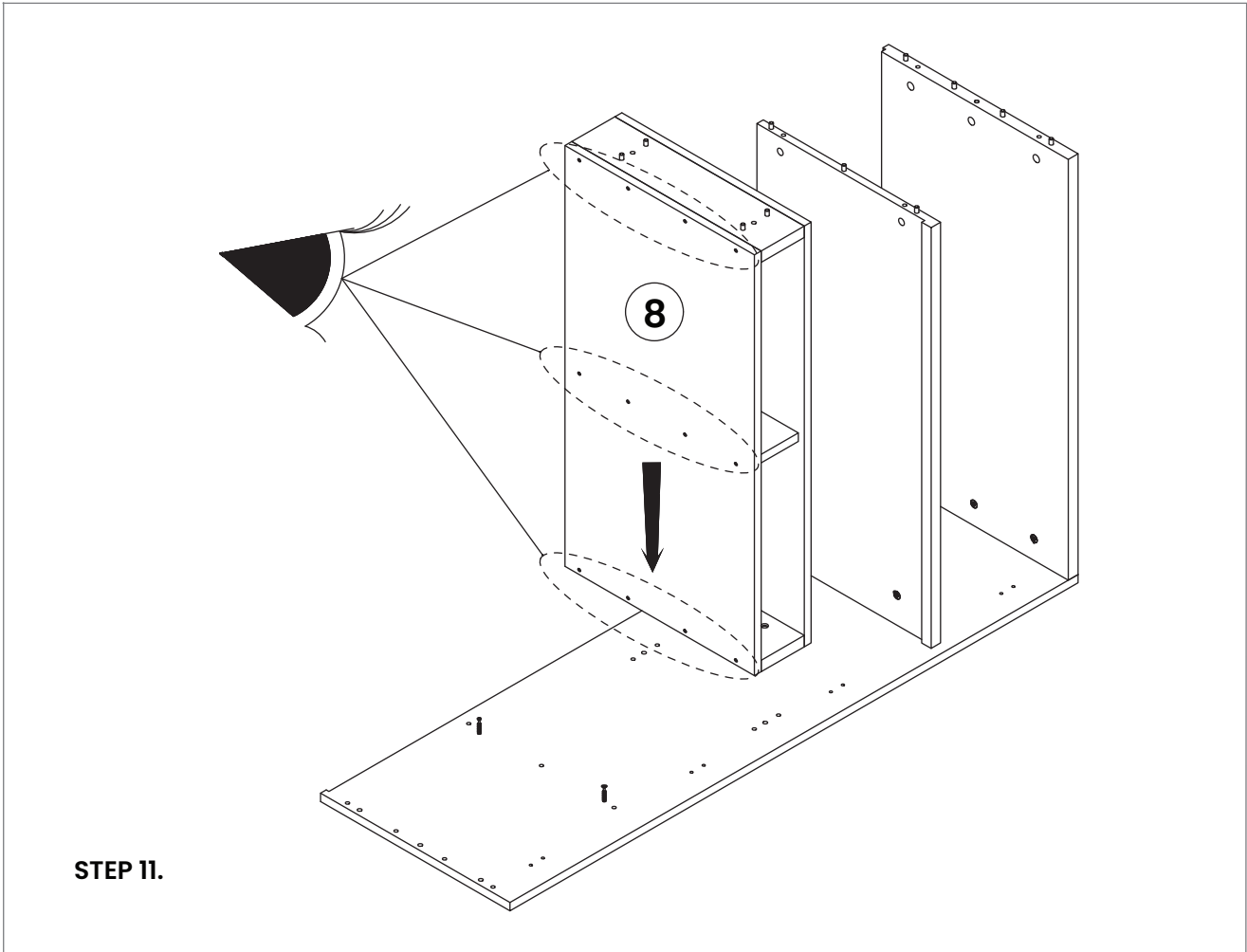


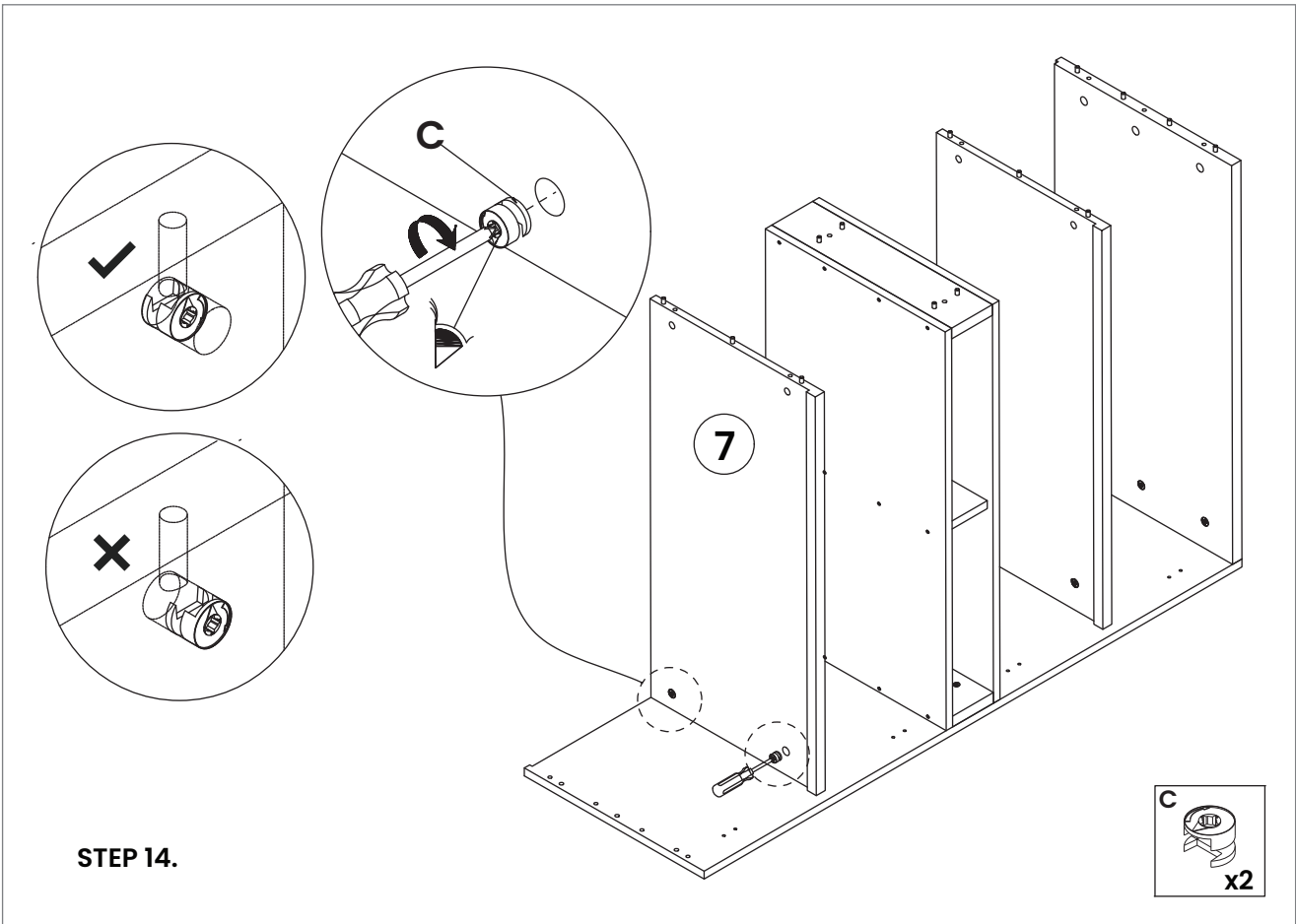
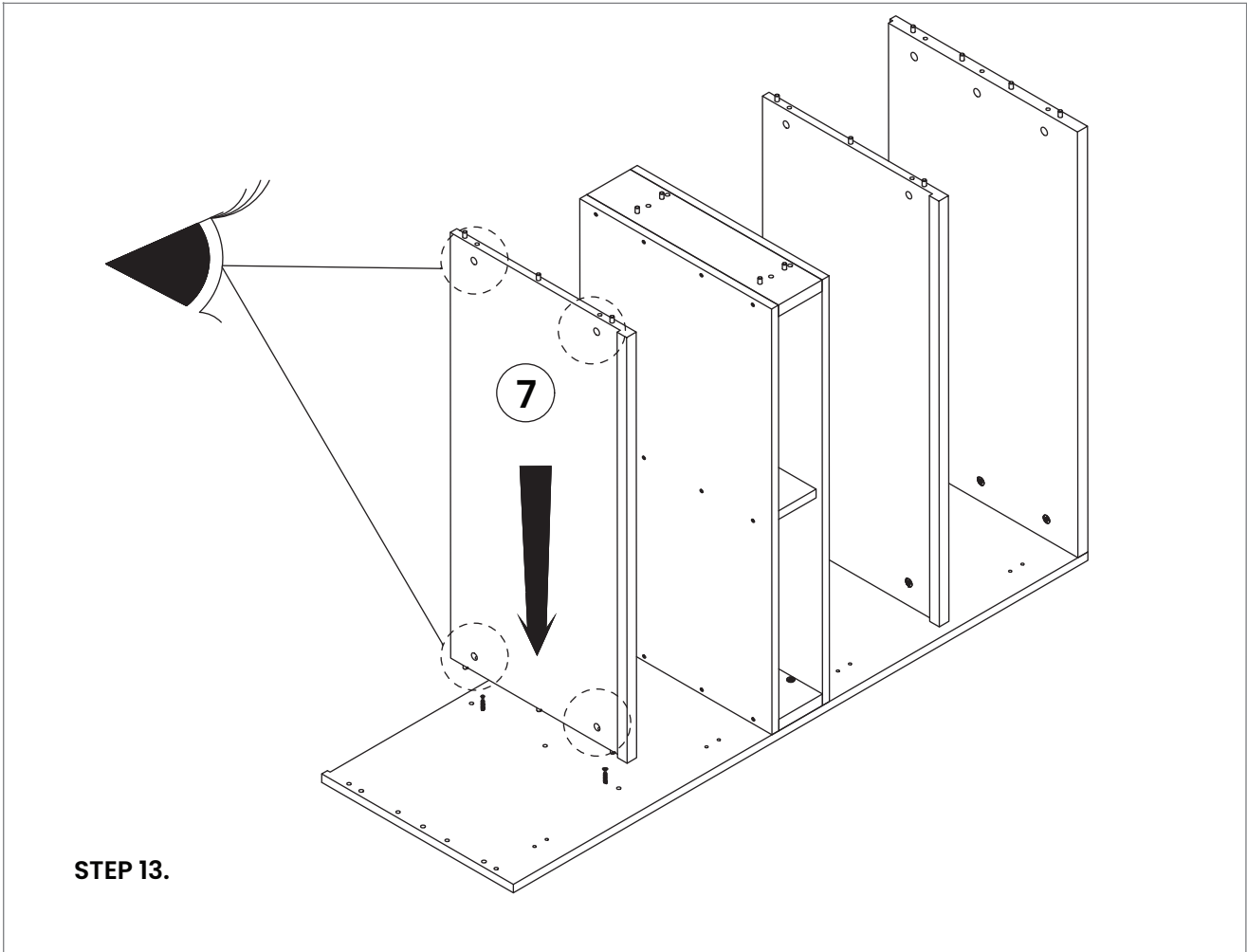
STEP 8.

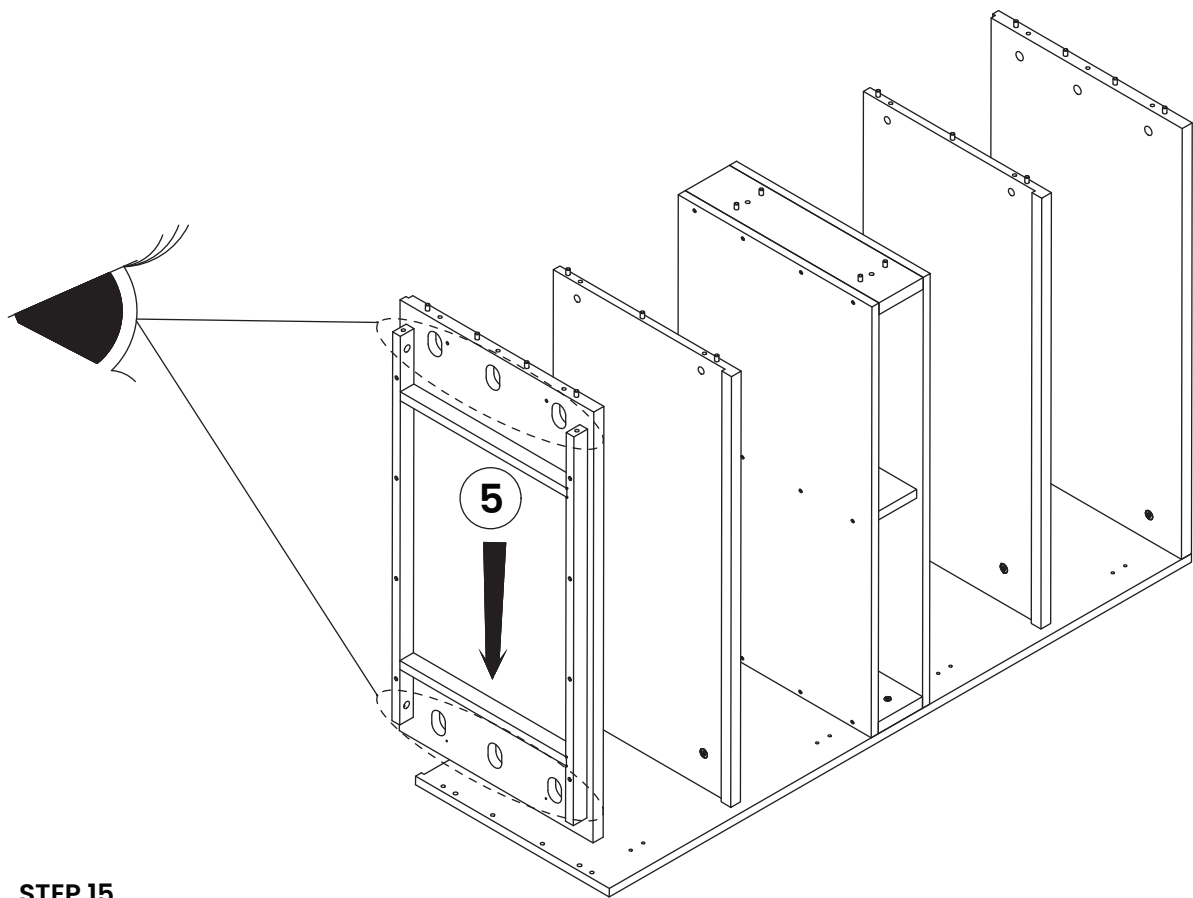
Make sure the open slot on each cam lock is facing outwards and the arrow is pointing down.

Push the cam locks into the holes in the Top Panel (6), then turn them clockwise with a screwdriver to lock the panel in place.

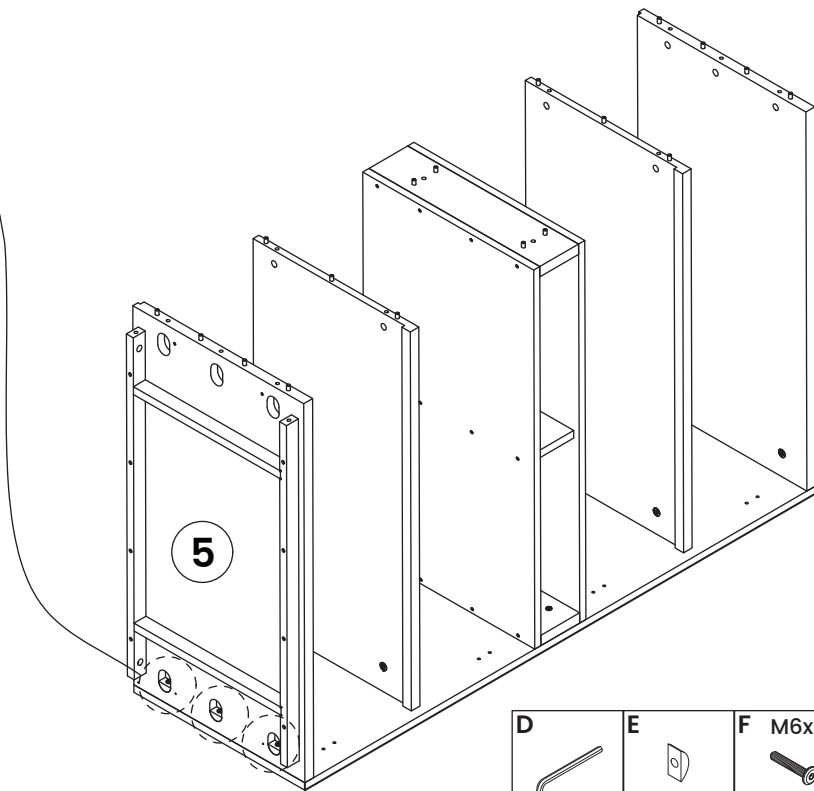
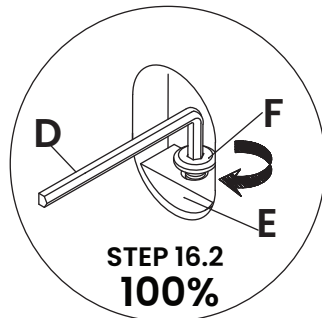
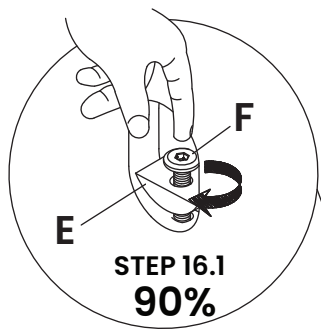






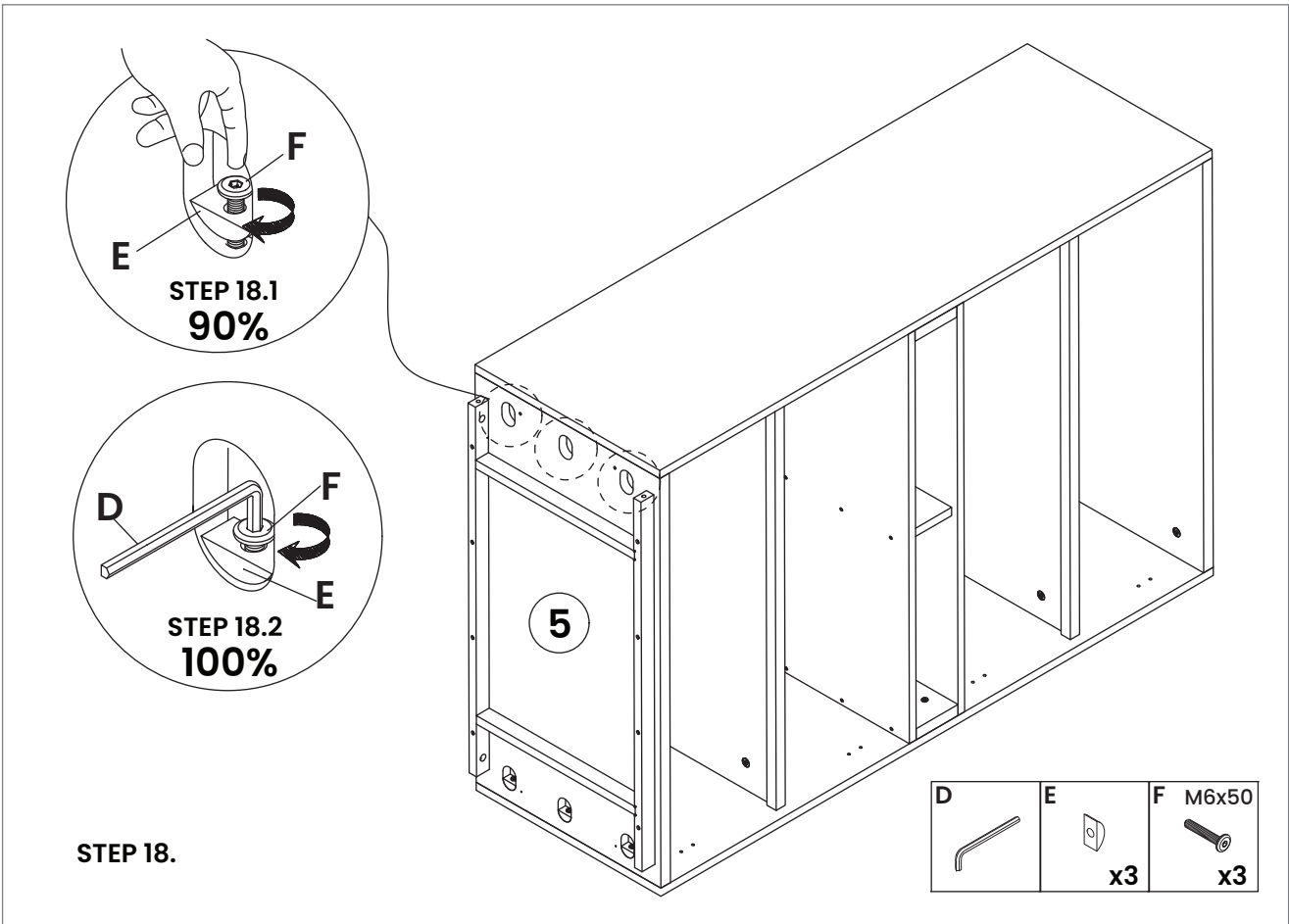
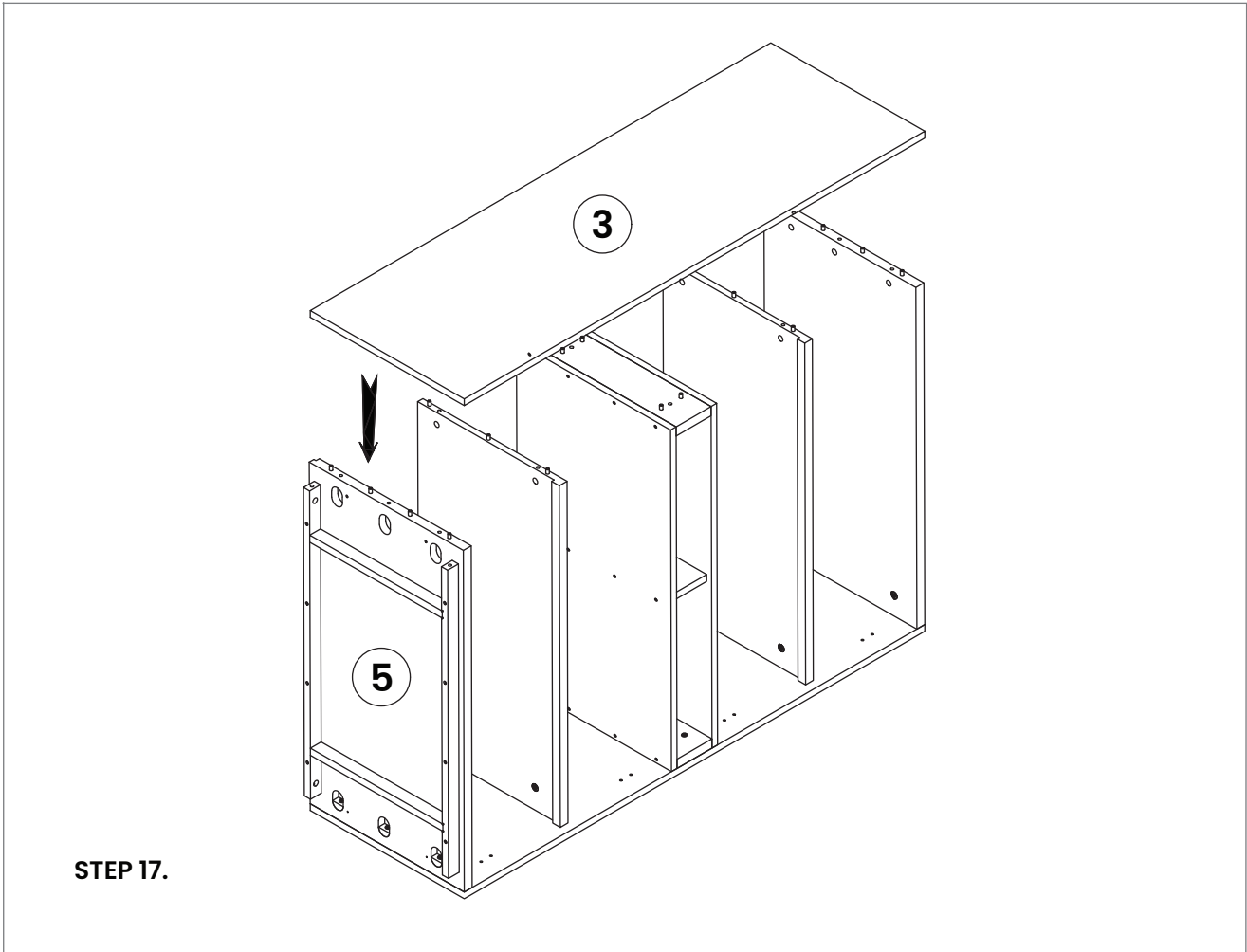


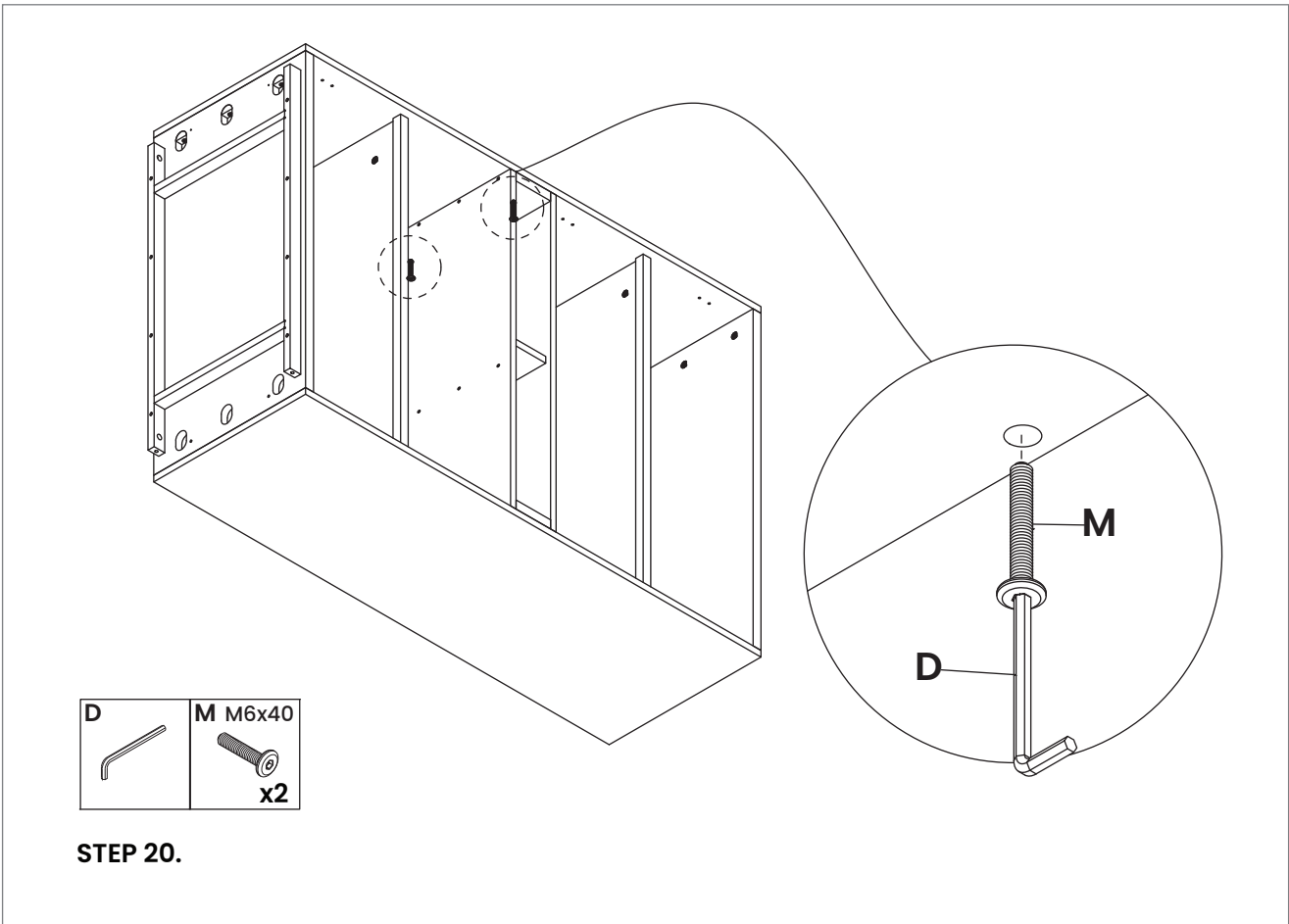
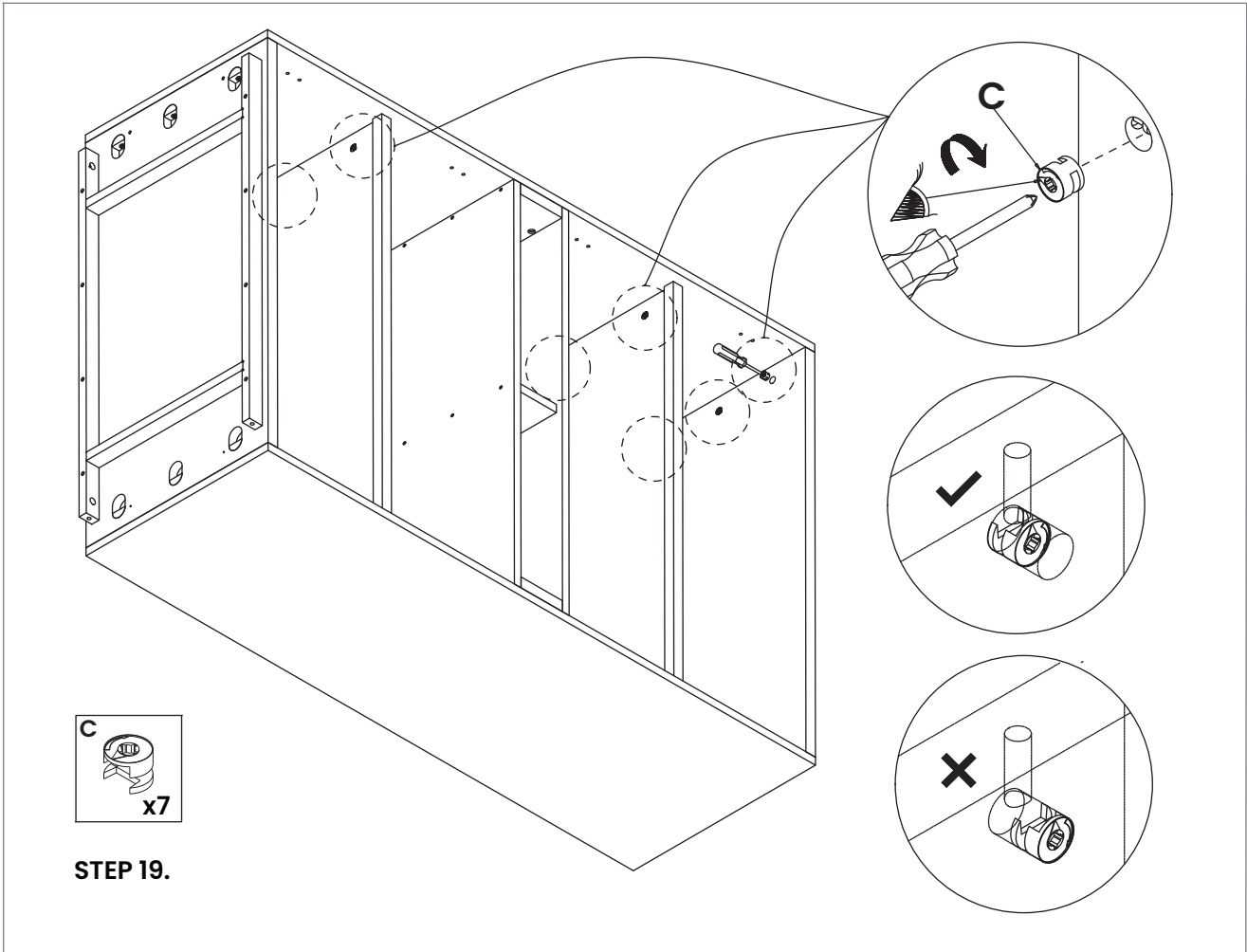
STEP 15.

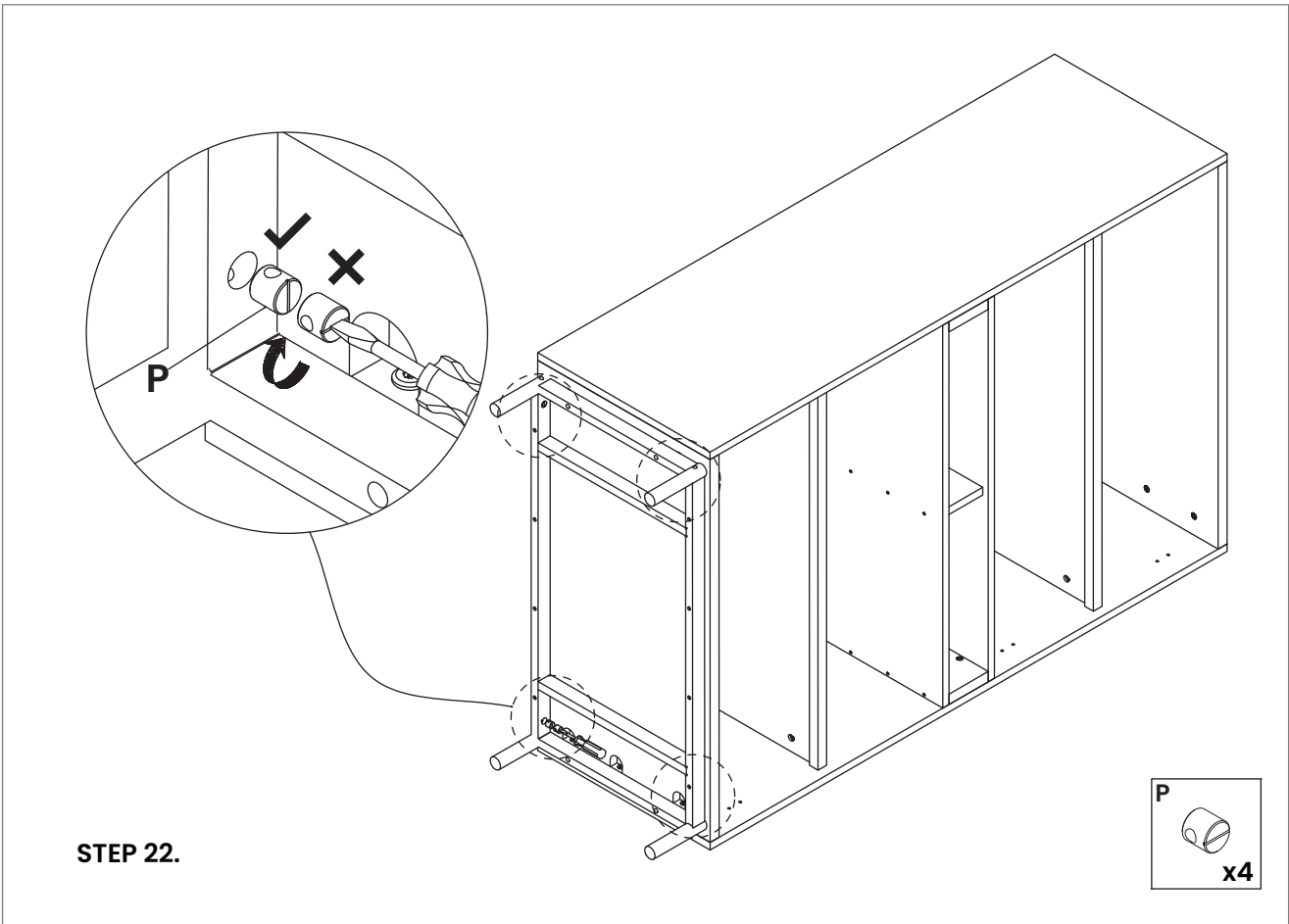
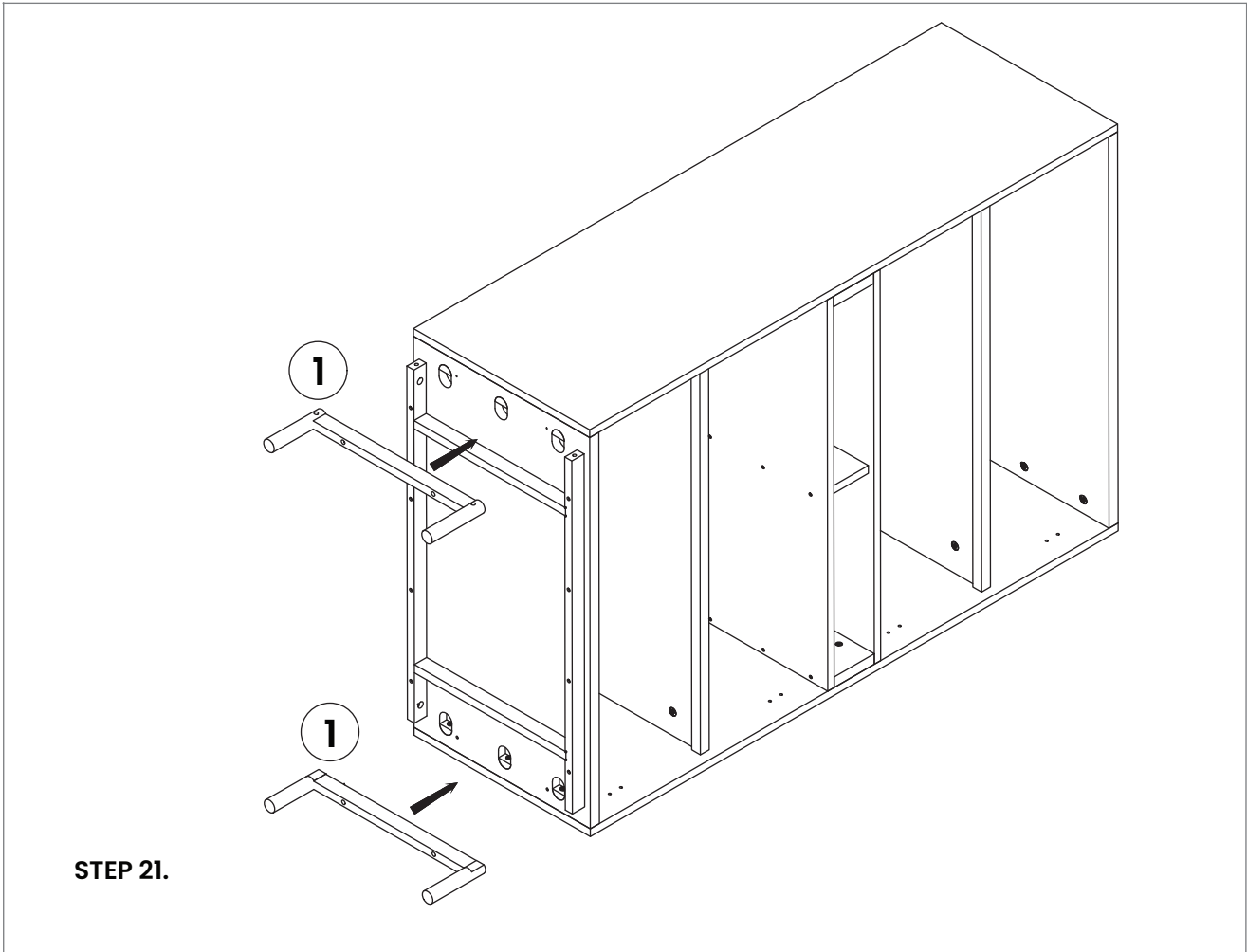


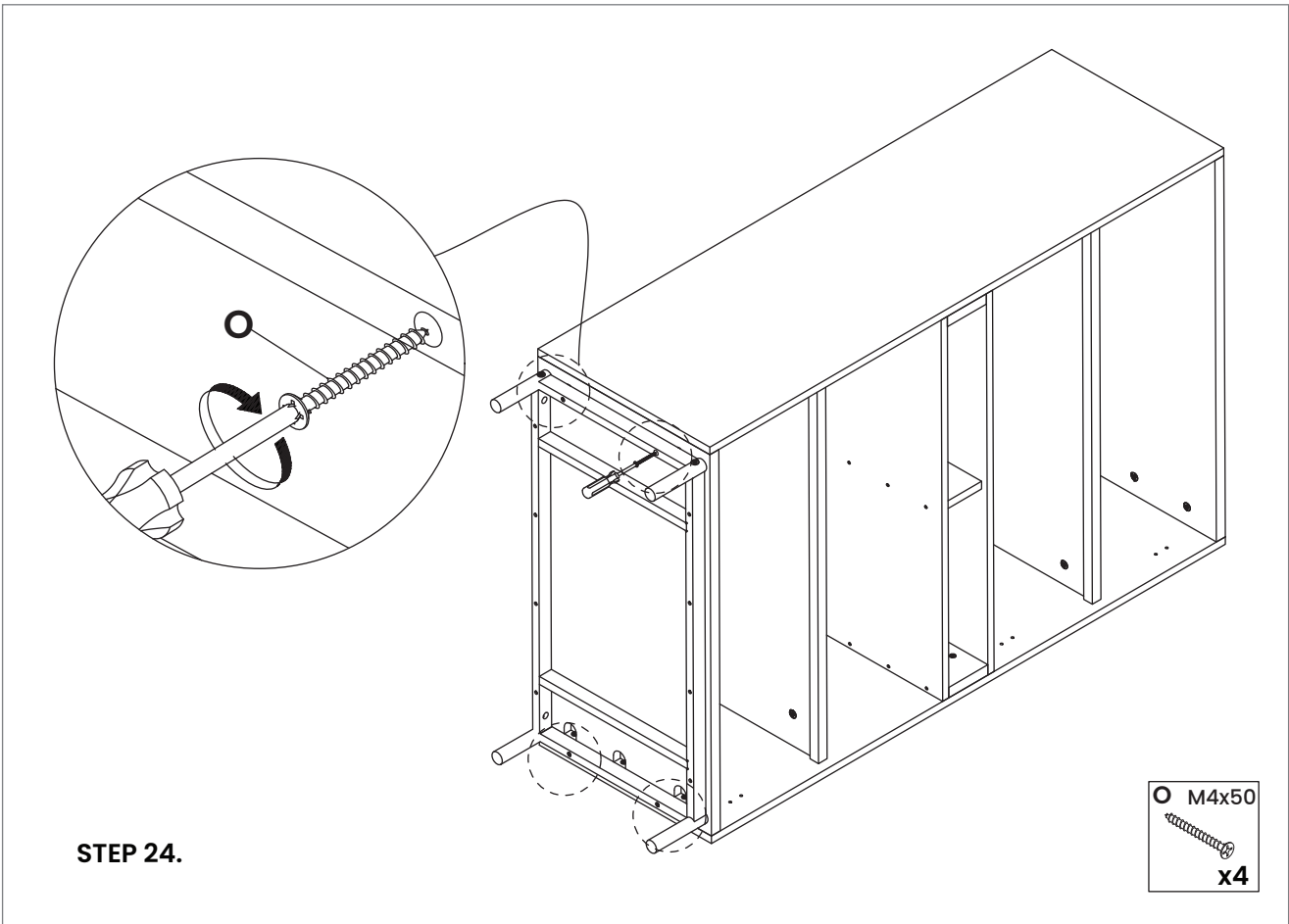
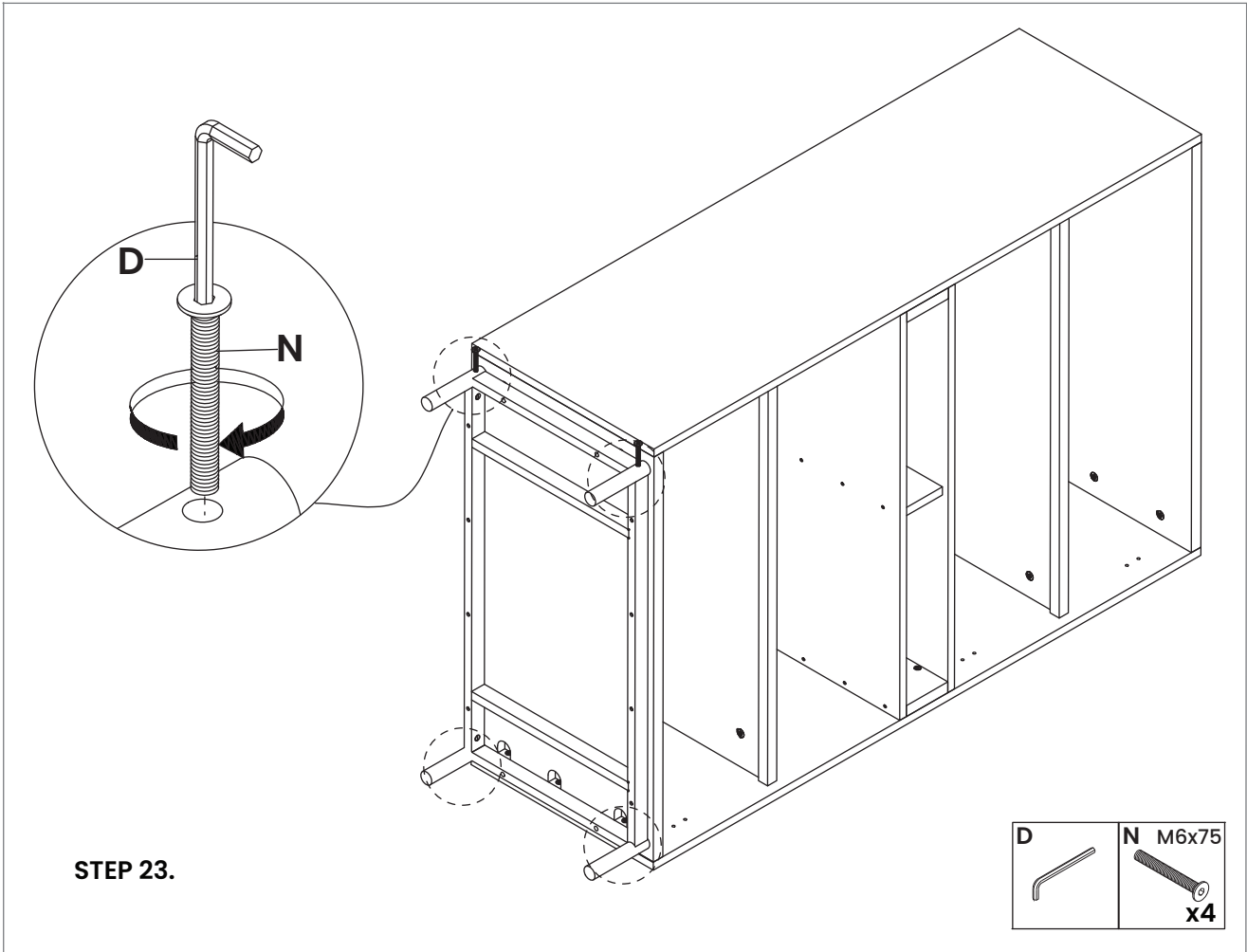
STEP 16.

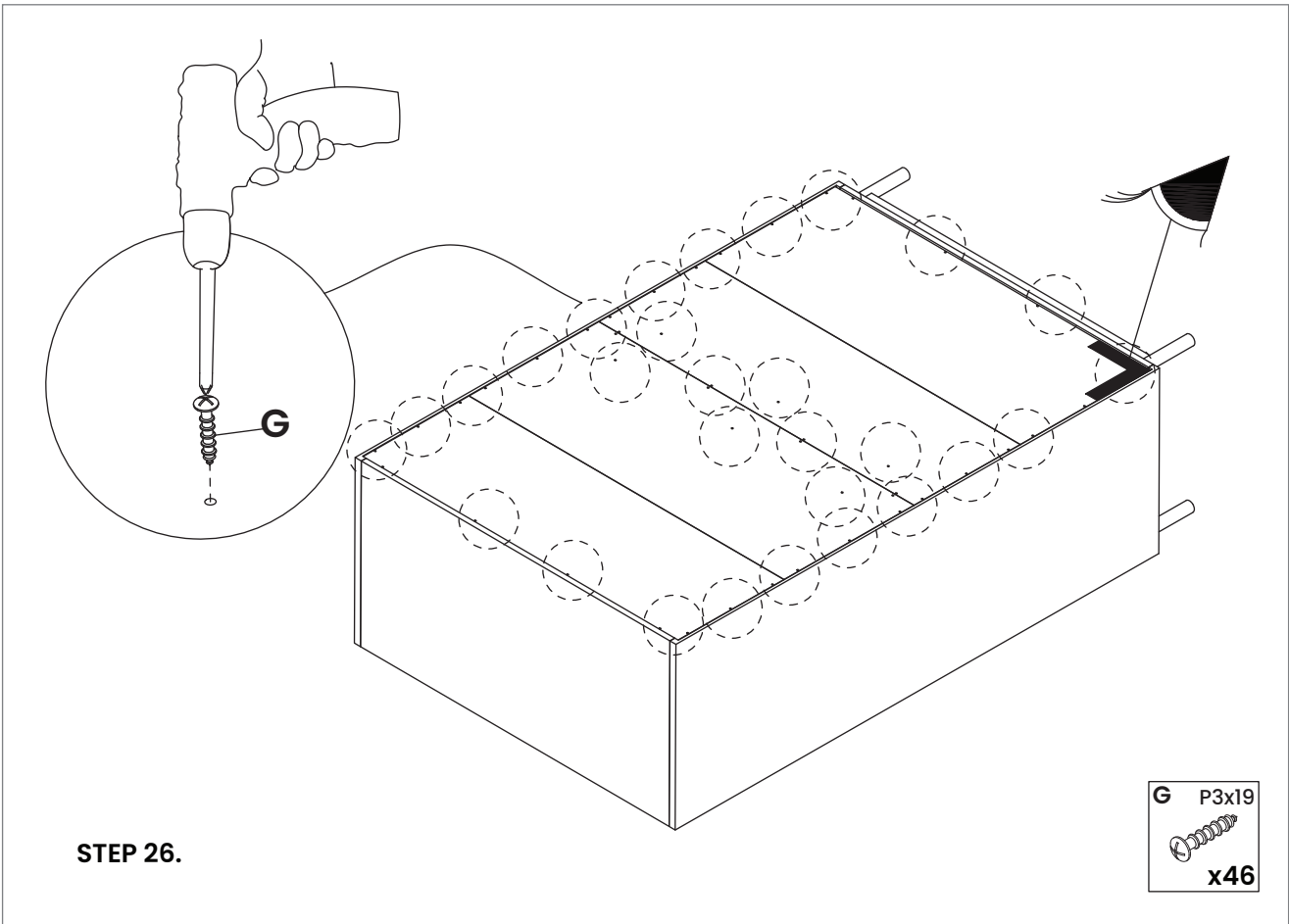
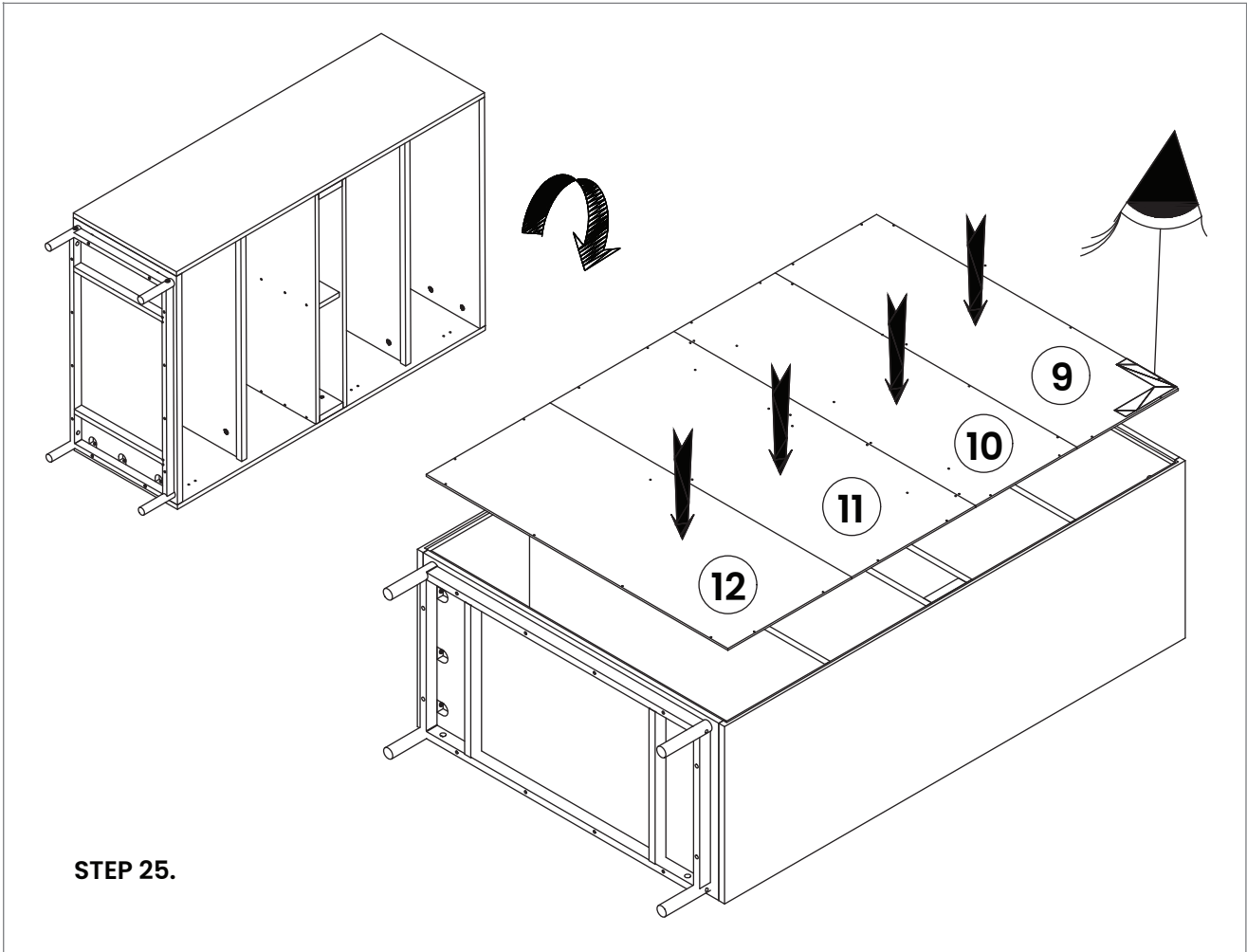
D	E	F M6x50
	x3	x3

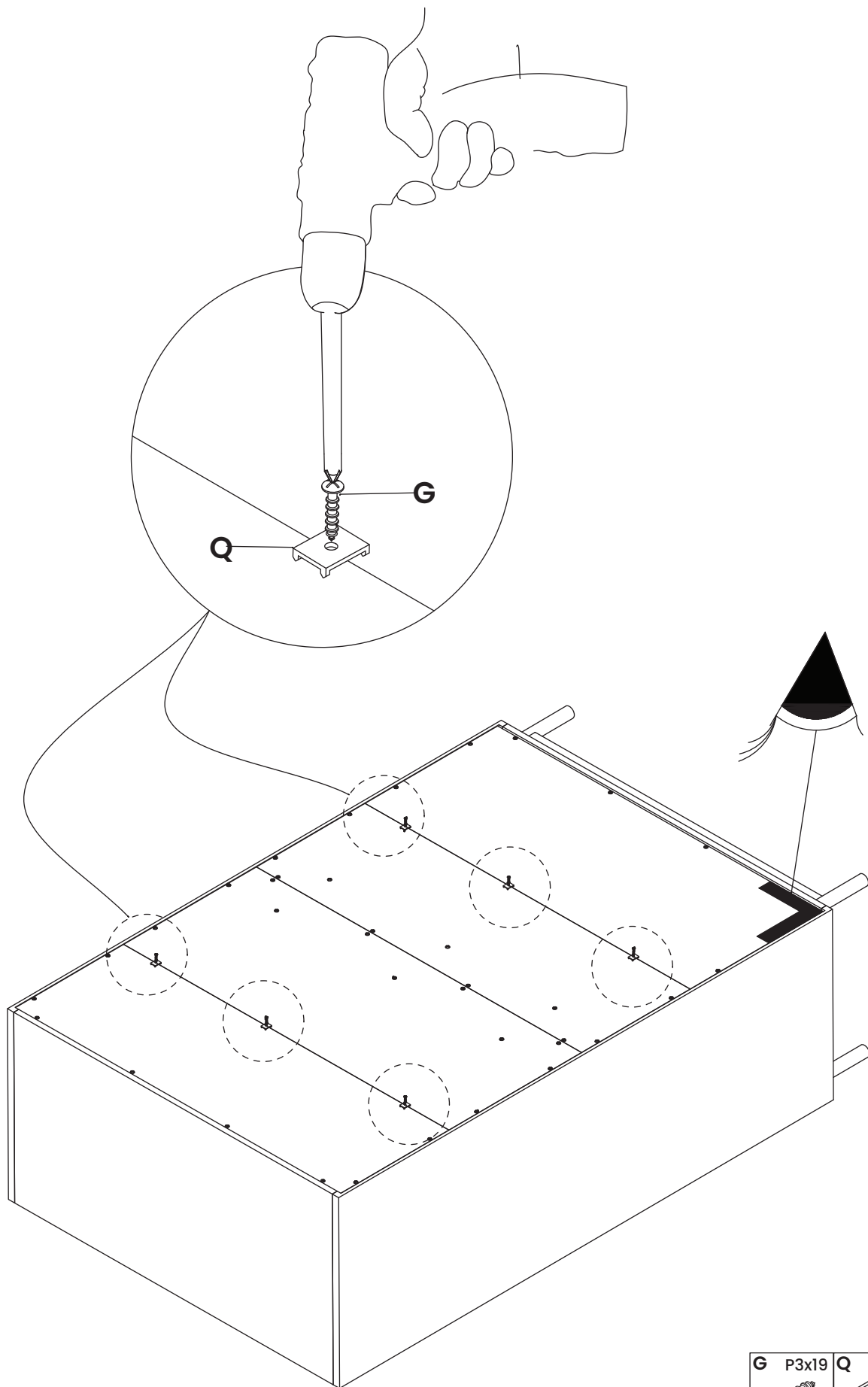




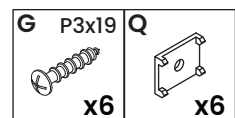






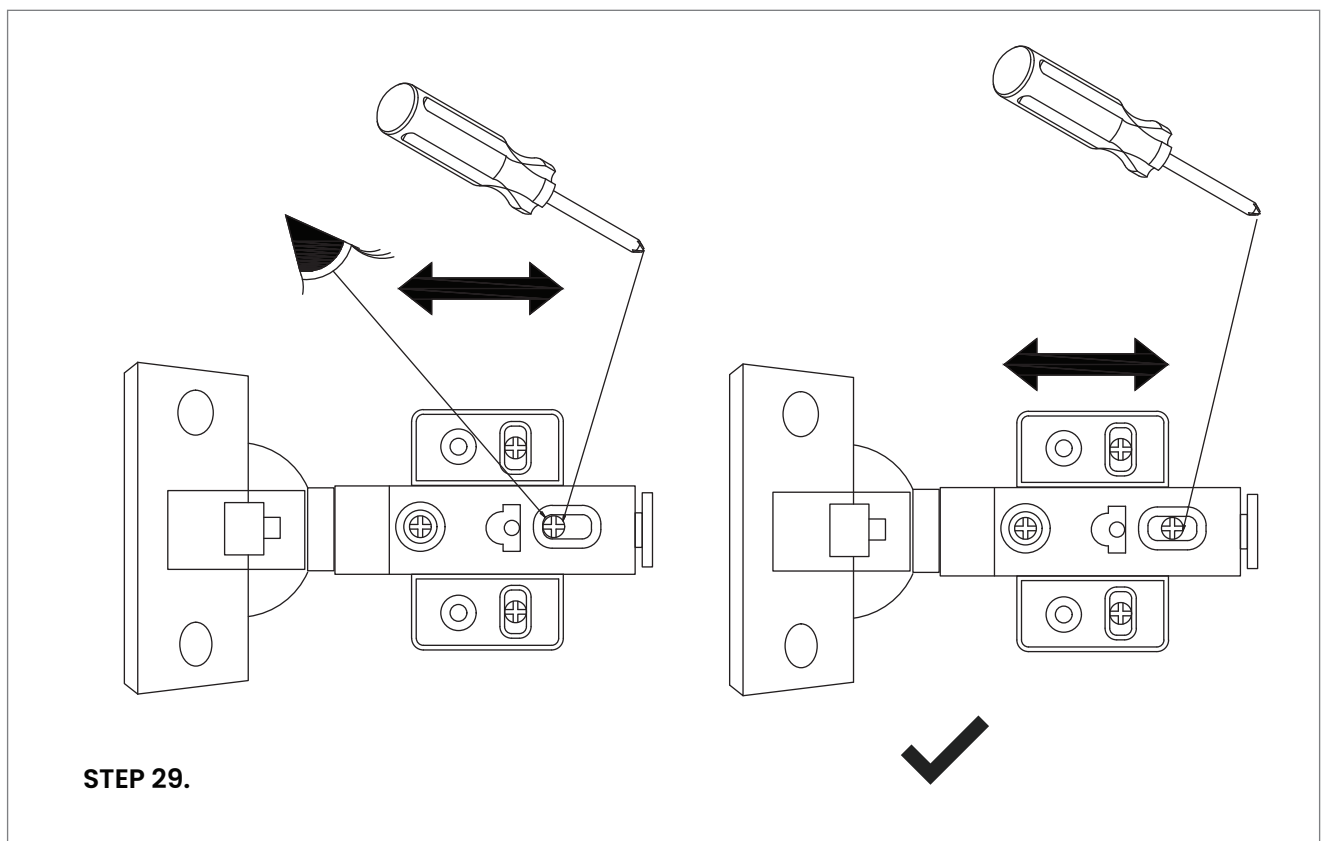
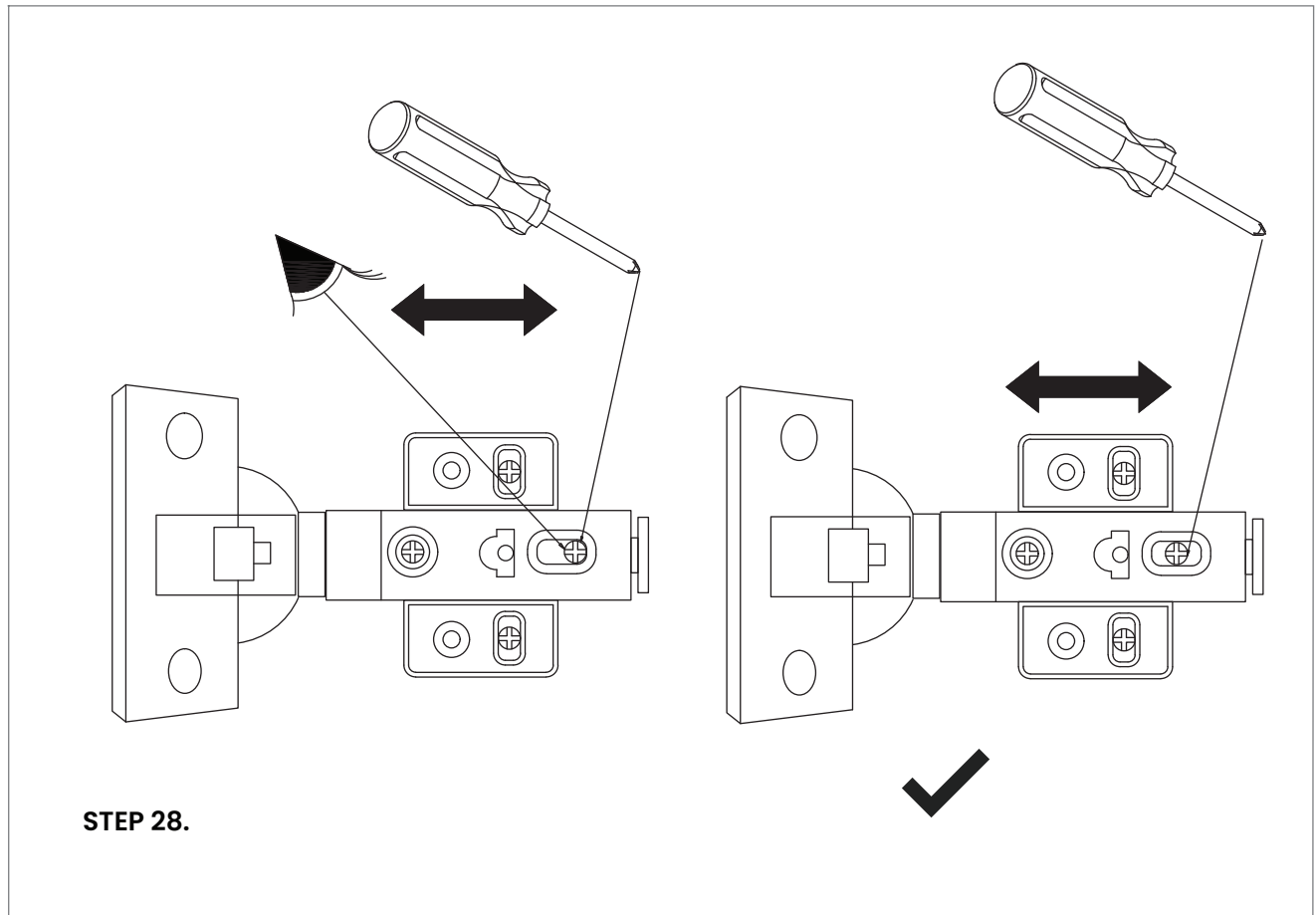


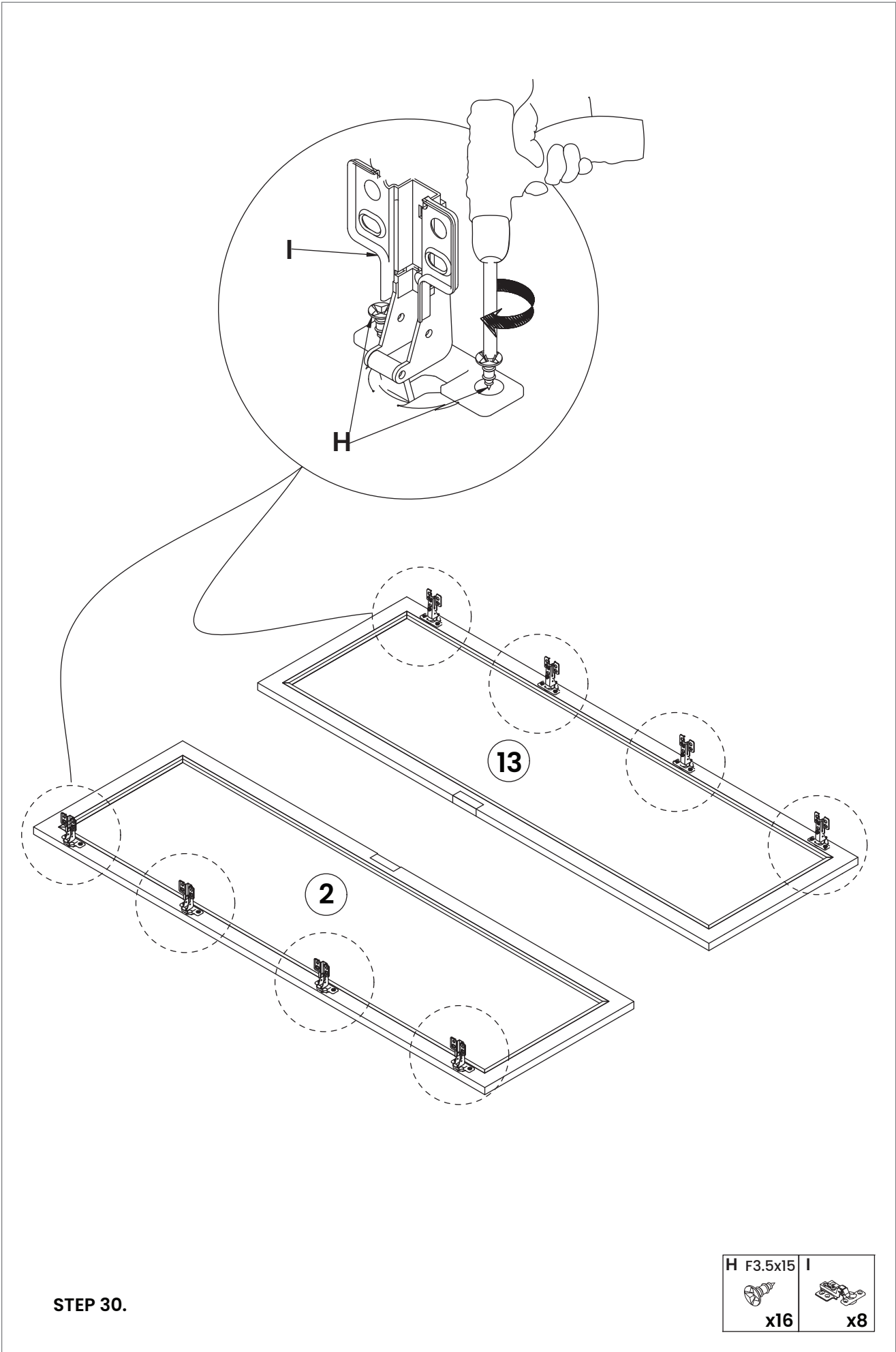
STEP 27.

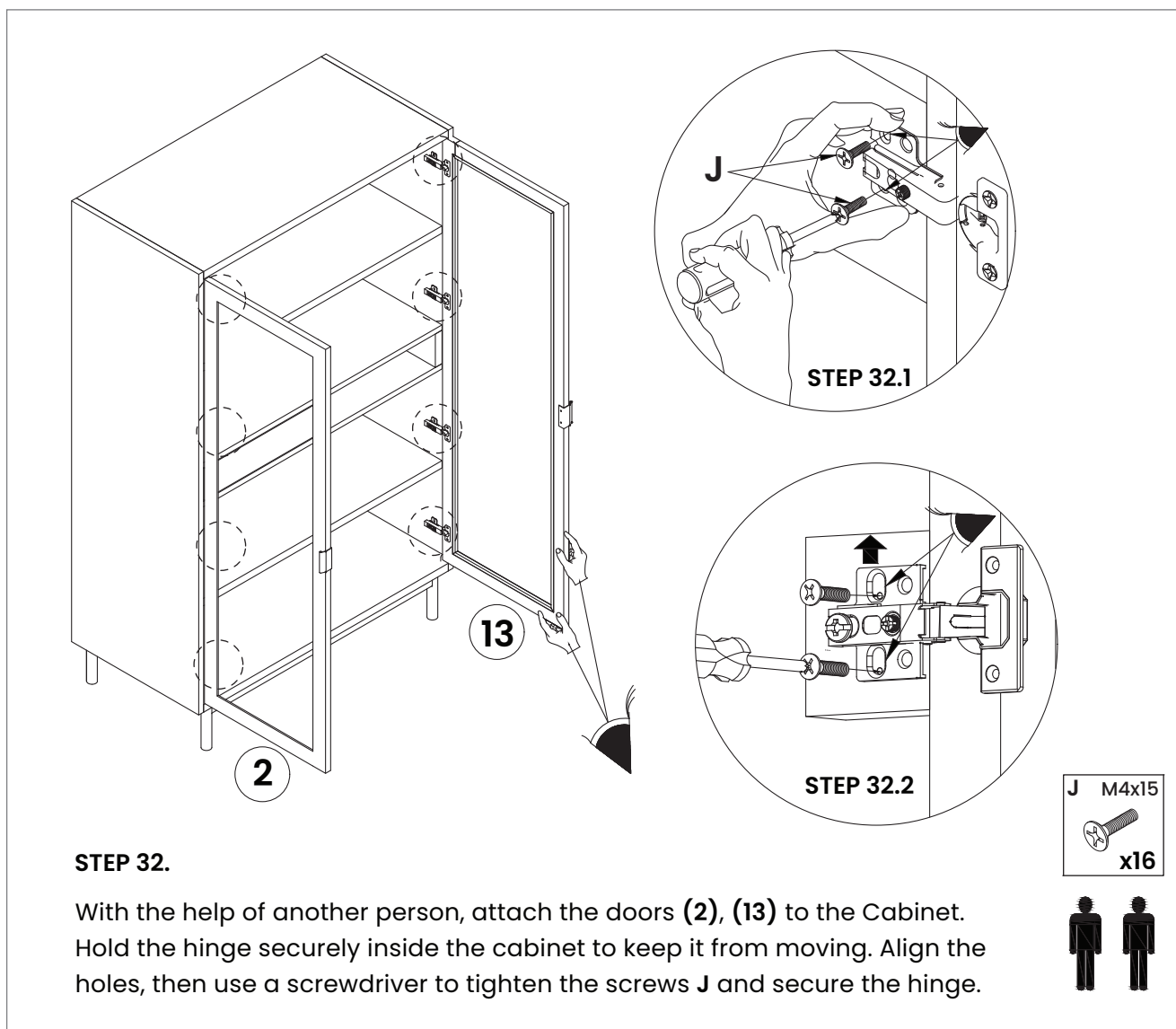
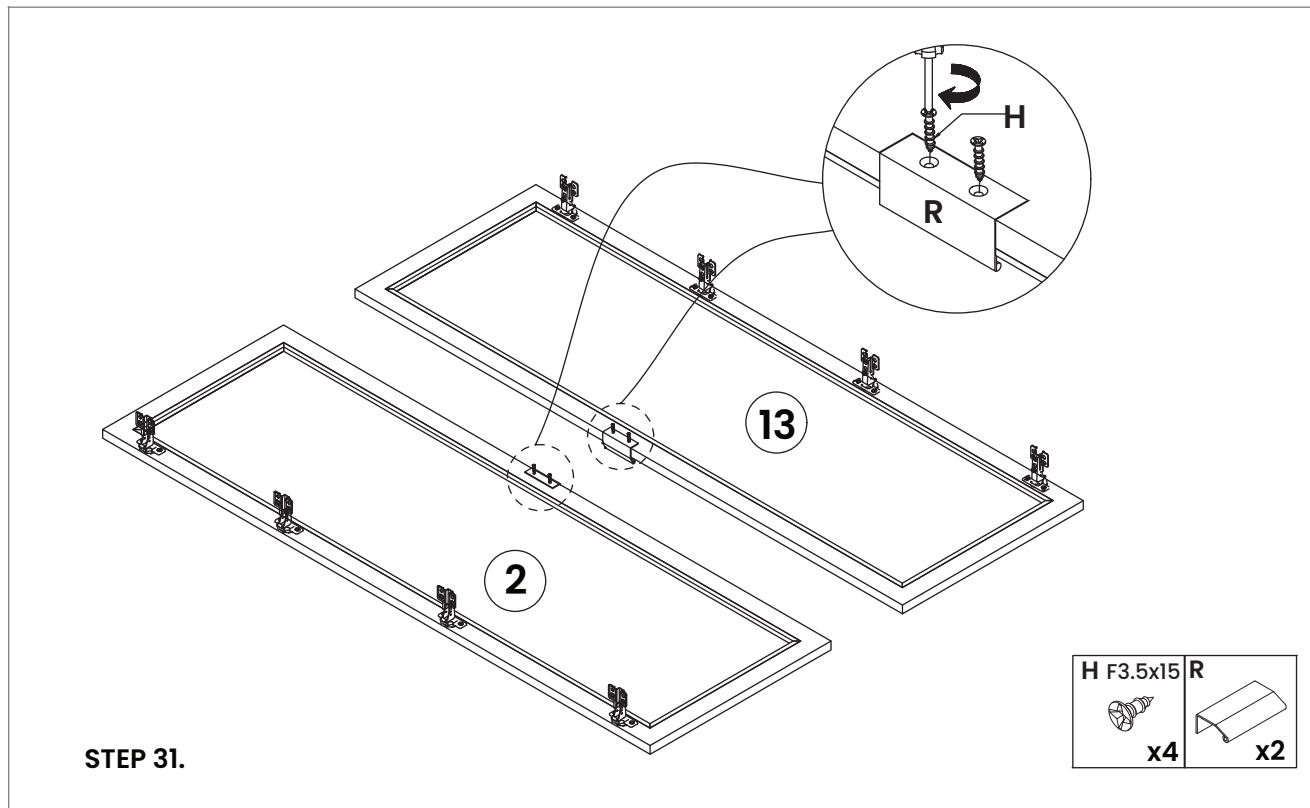


DOOR HINGES ADJUSTMENT

Use a screwdriver to adjust the hinge screws to the correct positions for a straight and level door fit in the next step.

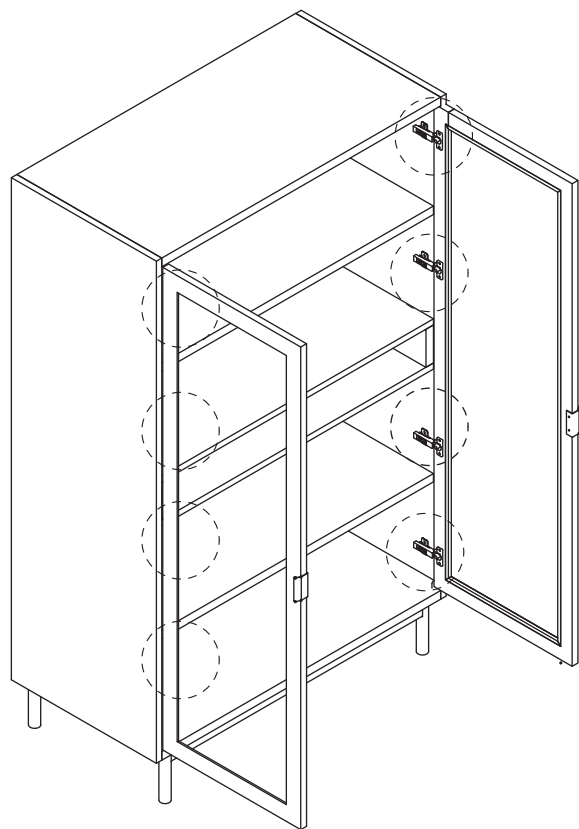
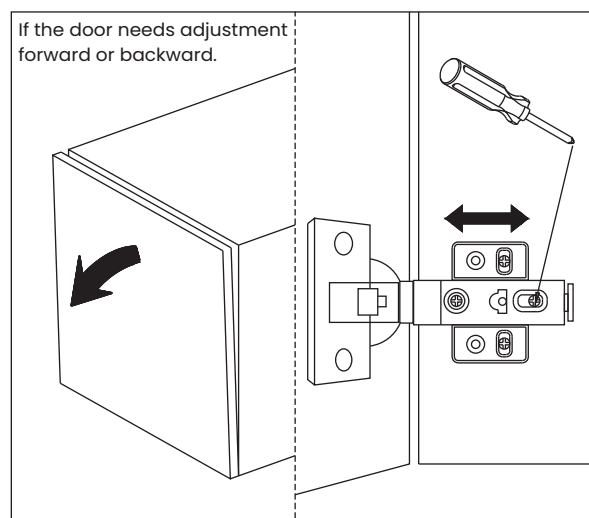
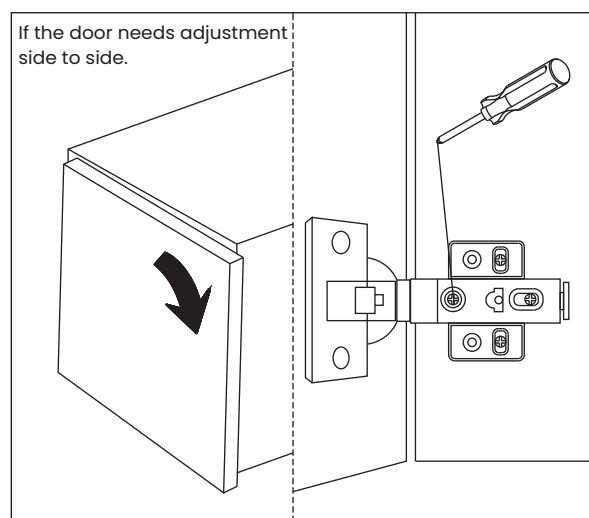
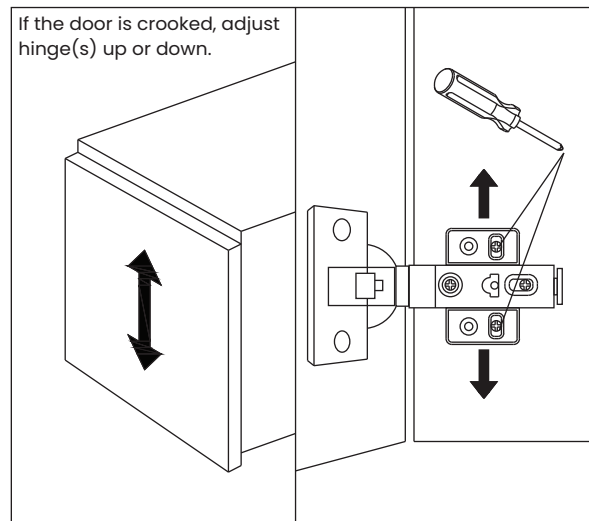




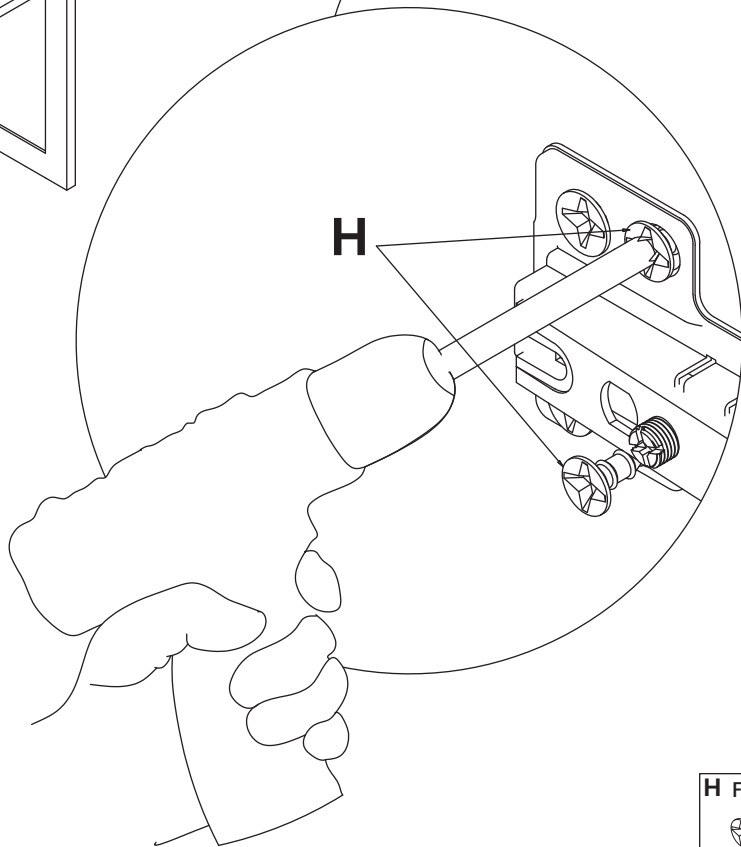
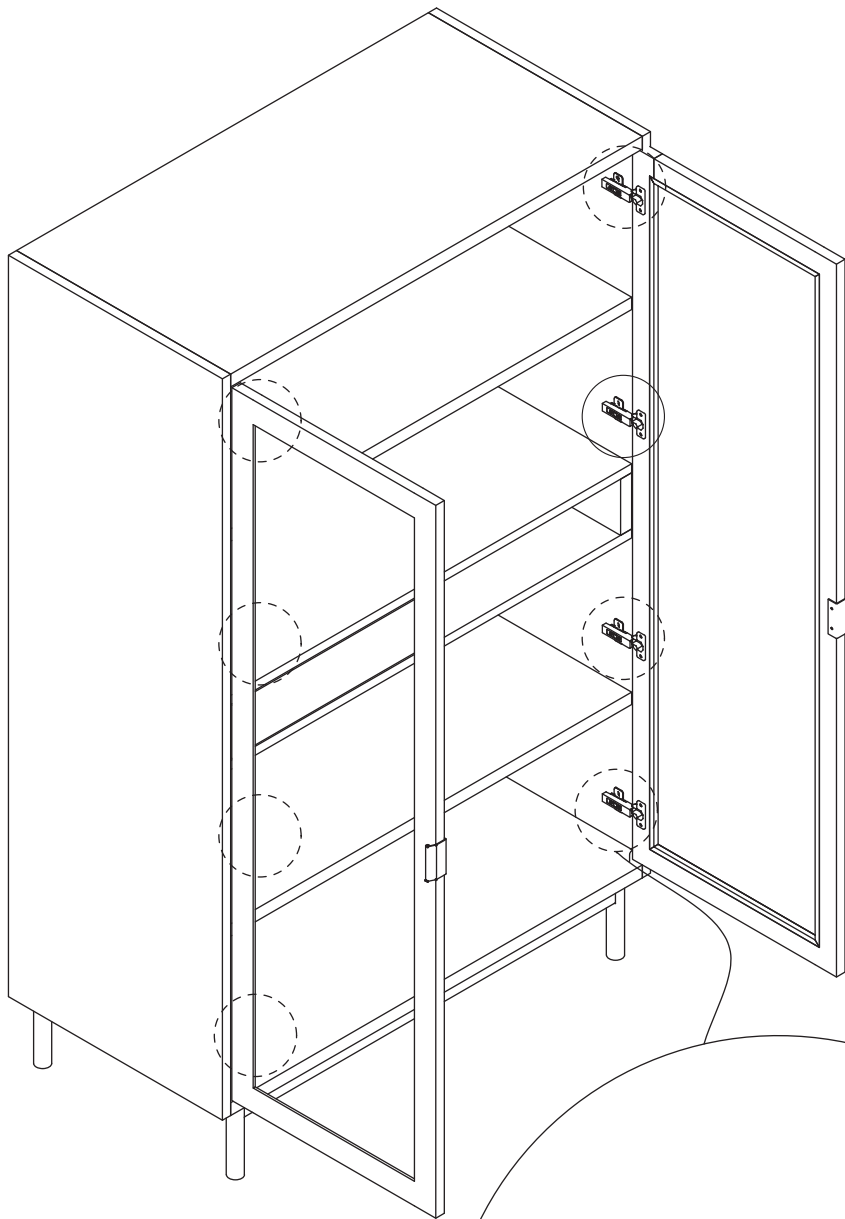


DOOR ADJUSTMENT INSTRUCTIONS


During assembly or use, the doors of your cabinet may have shifted slightly. This can easily be corrected by tightening a few screws. Always start by adjusting the top hinge on the affected door.

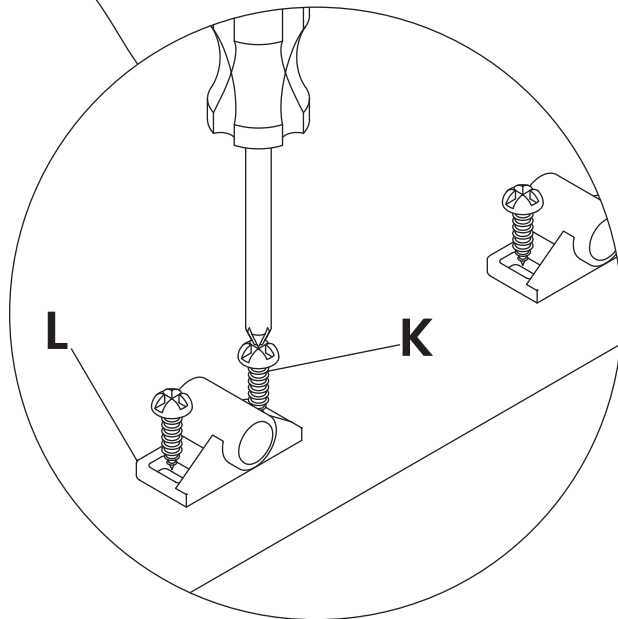
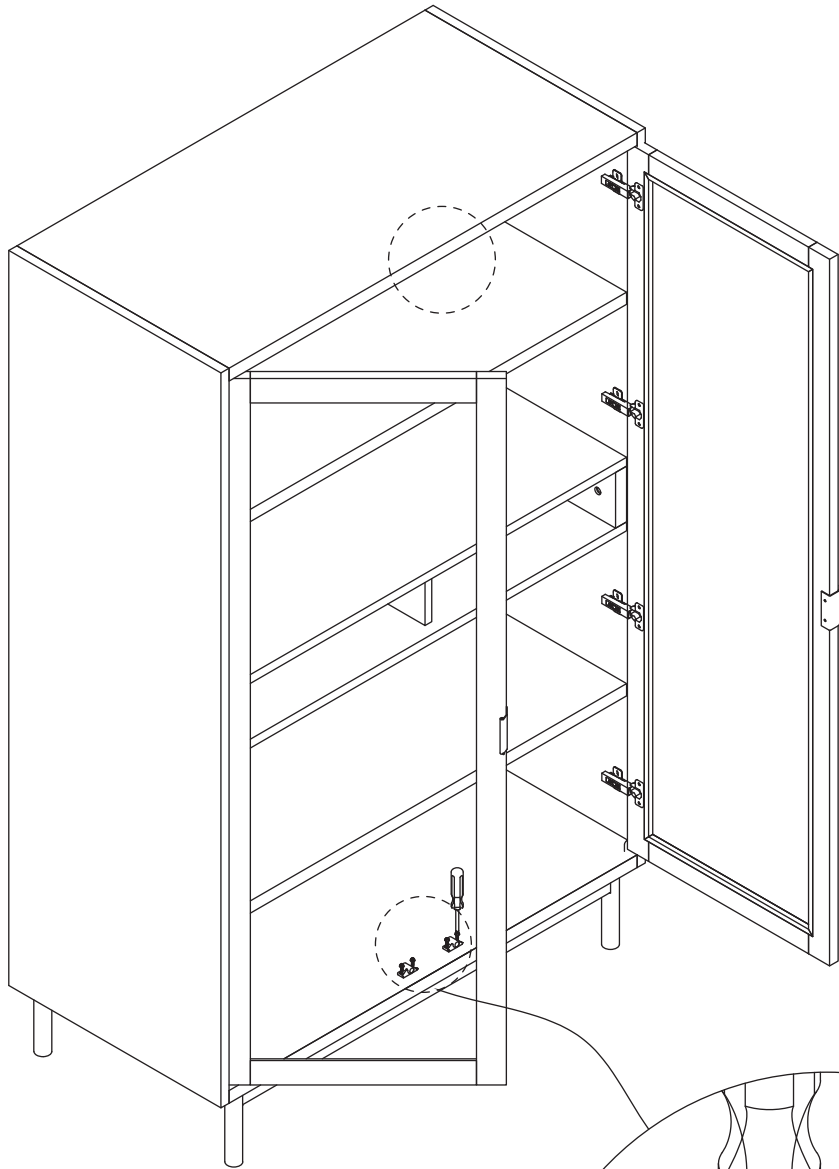


STEP 33.





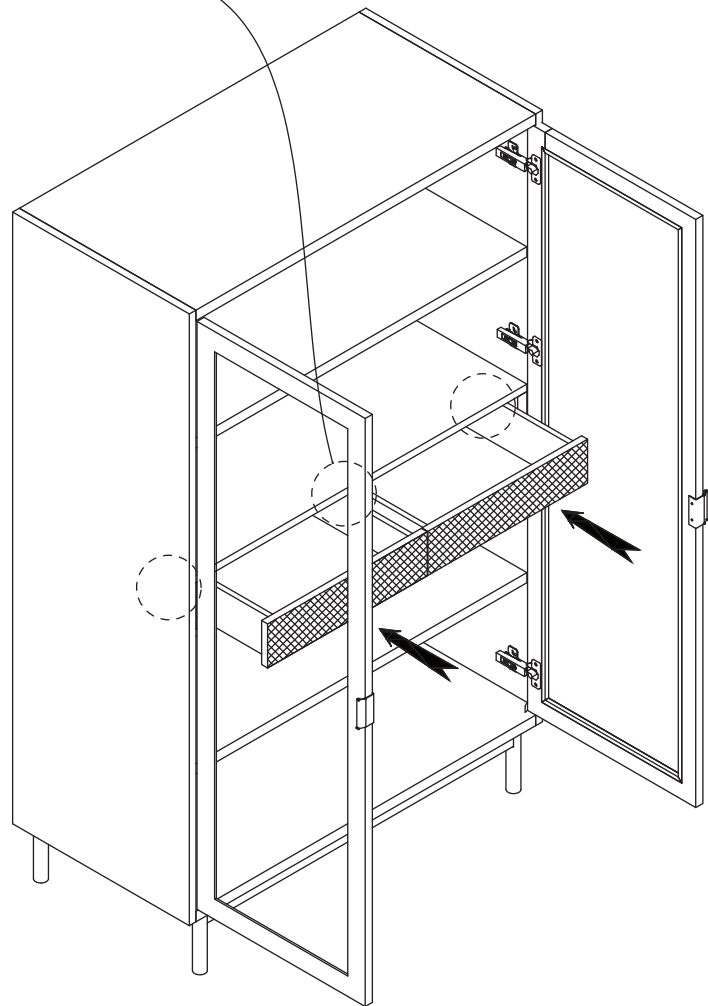
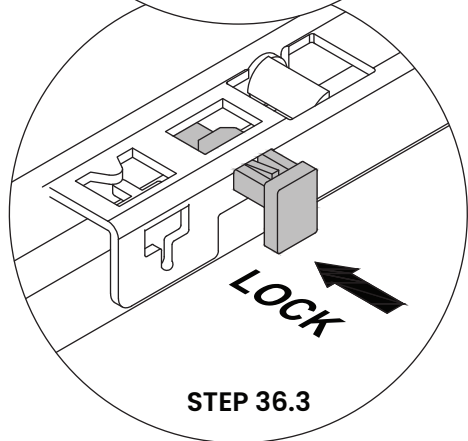
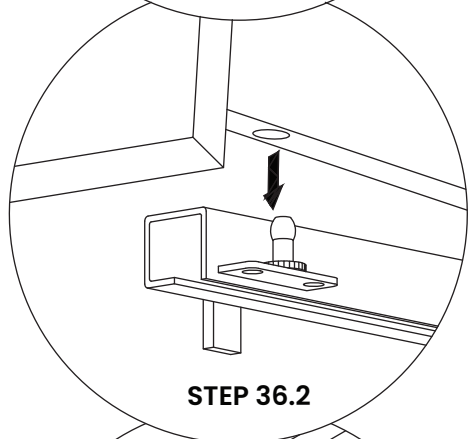
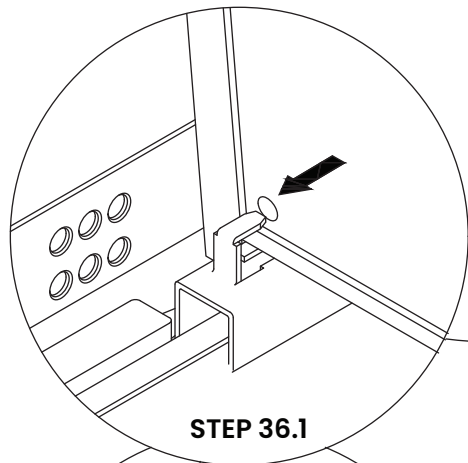
STEP 34.

H F3.5x15

x16

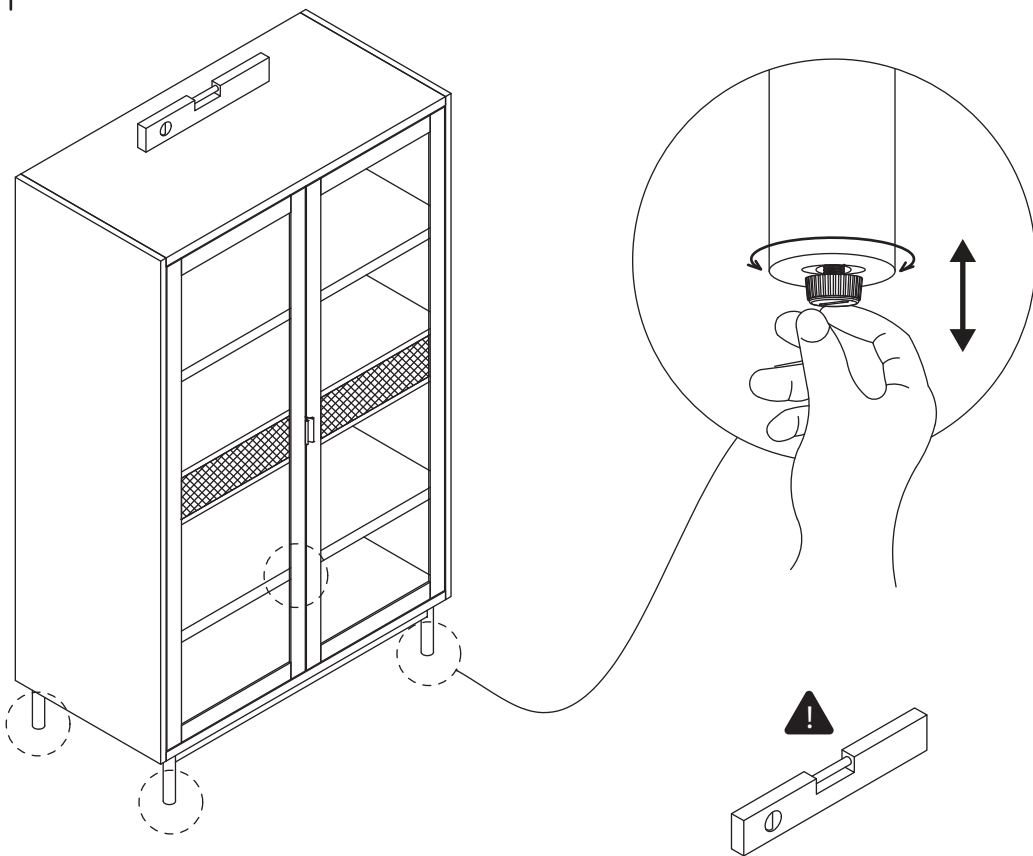
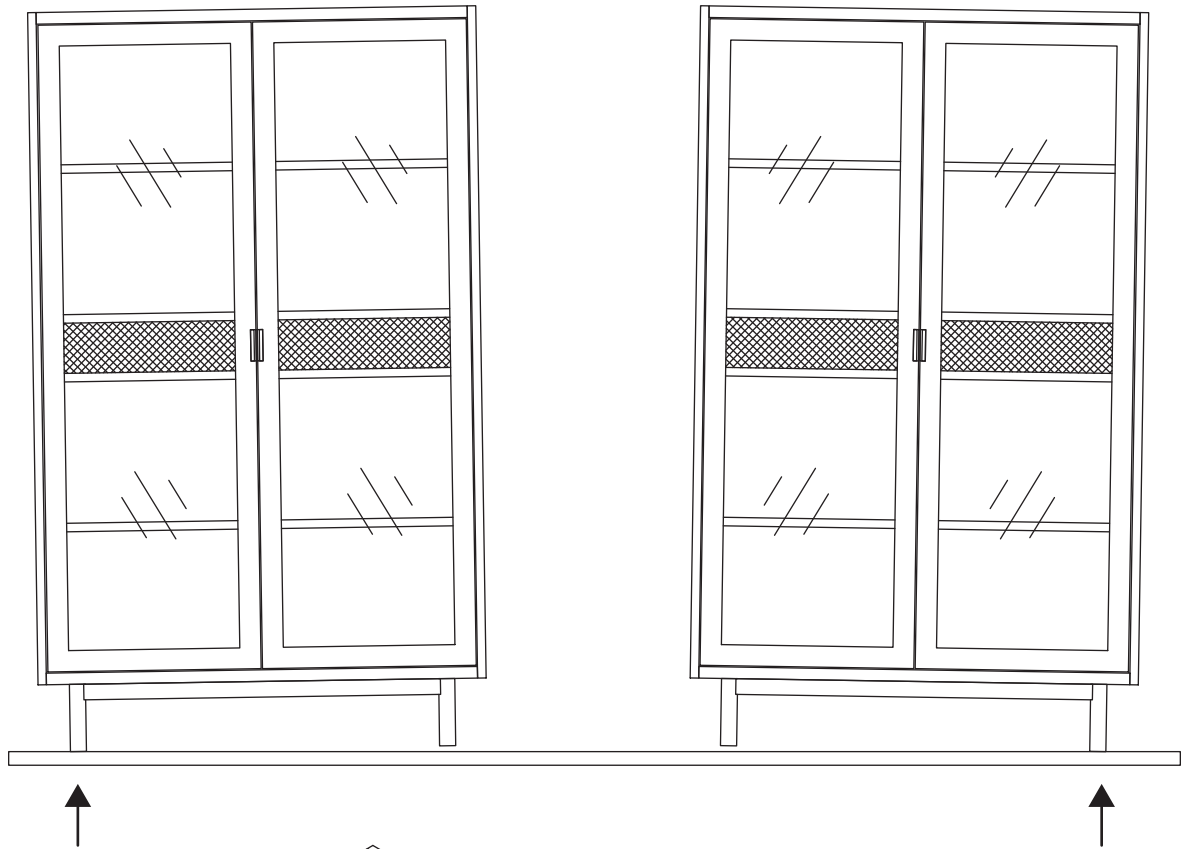


STEP 35.

K	P3x15	L
		
x8		x4



STEP 36.



STEP 37.

With the help of another person, carefully lift the Cabinet and adjust the levelers at the bottom (if needed) to balance it.

Anti-tip Kit Nuvon Cabinet

POLY & BARK

709 Science Drive,
Moorpark CA 93021

- To prevent injury and property damage from unexpected tipping of furniture, we highly recommend installation of the anti-tip kit included with this product.
- Requires installation Before Use.
- Requires Screwdriver.
- Requires 8MM/5/16" Drill Bit.

ANTI-TIP KIT PARTS CHECKLIST



x4 Brackets



x2 15MM Screws



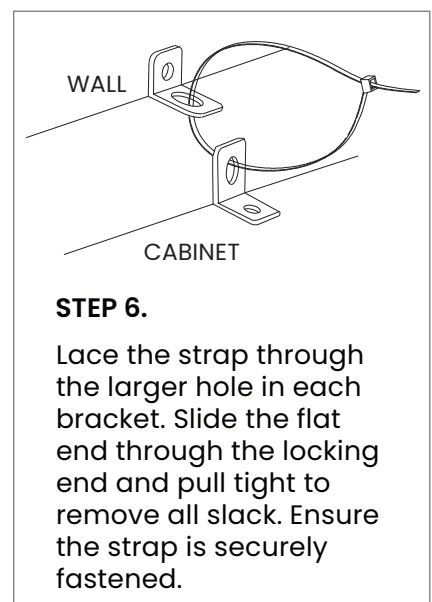
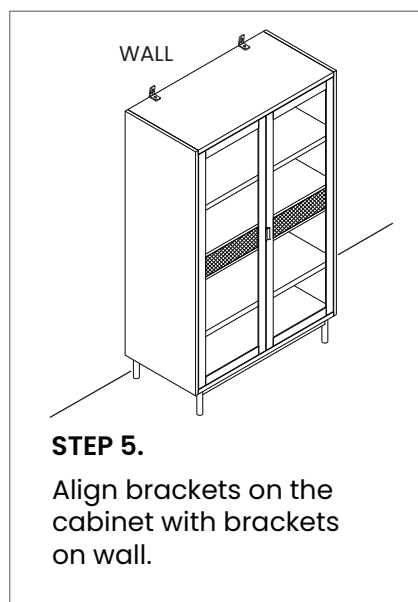
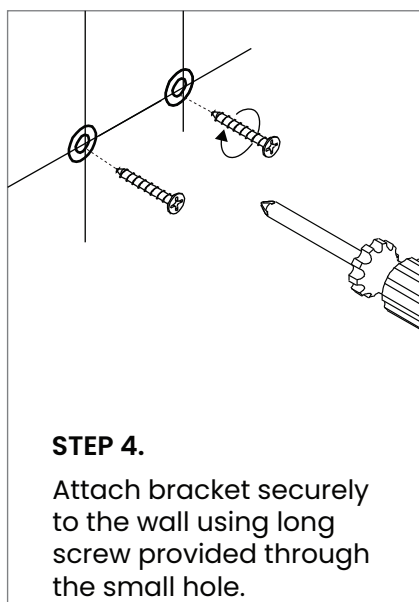
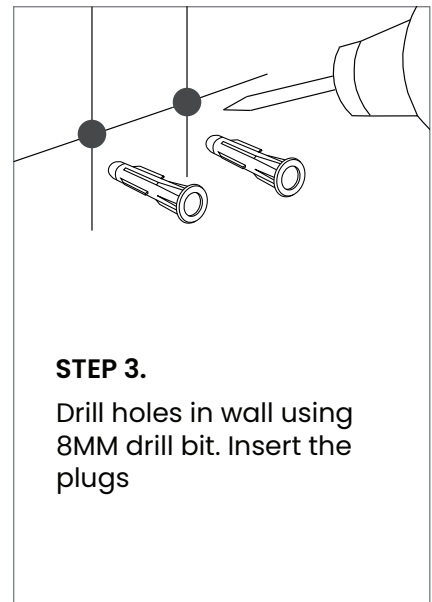
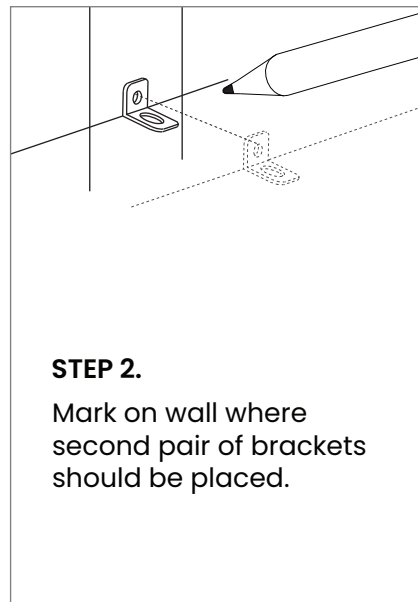
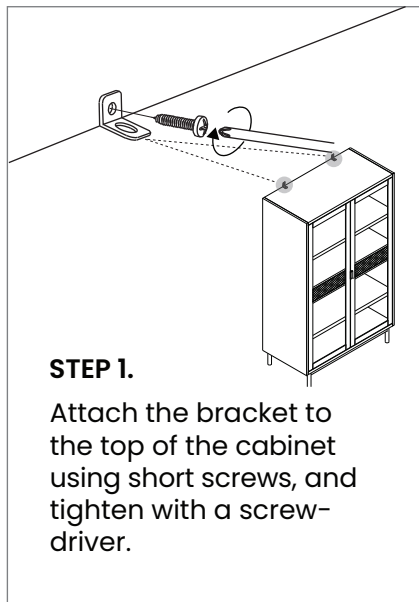
x2 30MM Screws



x2 Plugs



x2 Straps



Missing something?


We work very hard to ship a perfect product but sometimes furniture or hardware goes missing or gets damaged in transit.

Please contact us and we'll quickly make it right.



Need some help? Our support team is here for you.

 help@polyandbark.com

 1 (855) 310-1450

 polyandbark.com