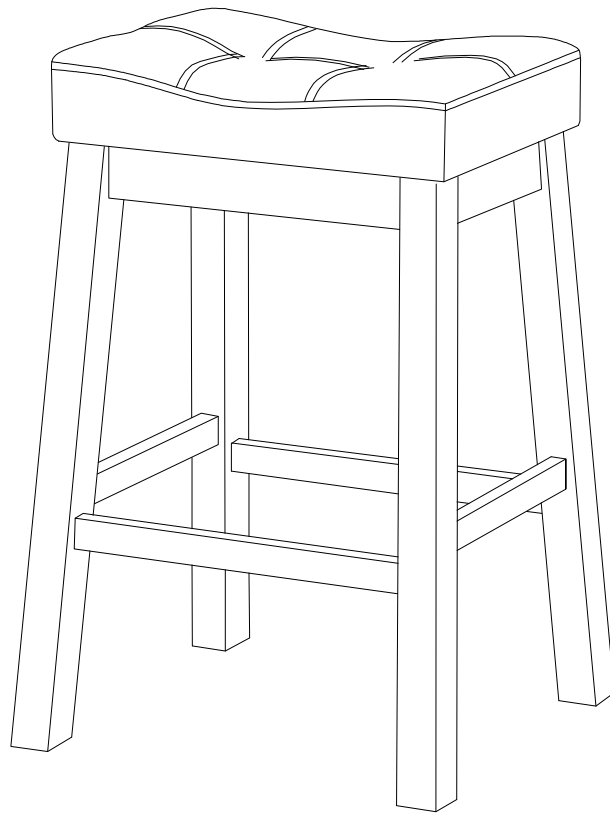


ASSEMBLY INSTRUCTIONS



Counter Height Stool

ASSEMBLY INSTRUCTIONS

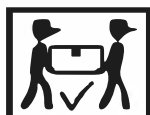
ASSEMBLY TIPS:

1. Remove hardware from box and sort by size.
2. Please check to see that all hardware and parts are present prior to start of assembly.
3. Please follow attached instructions in the same sequence as numbered to assure fast & easy assembly.



WARNING!


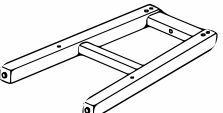
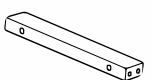
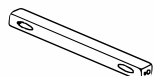
1. Don't attempt to repair or modify parts that are broken or defective. Please contact the store immediately.
2. This product is for home use only and not intended for commercial establishments.








ASSEMBLY TIME

30 MINUTES

PARTS IDENTIFICATION

A	SEAT		1PC
B	SIDE FRAME		2PCS
C	SMALL CROSSBAR		2PCS
D	LARGE CROSSBAR		2PCS

Z HARDWARE IDENTIFICATION

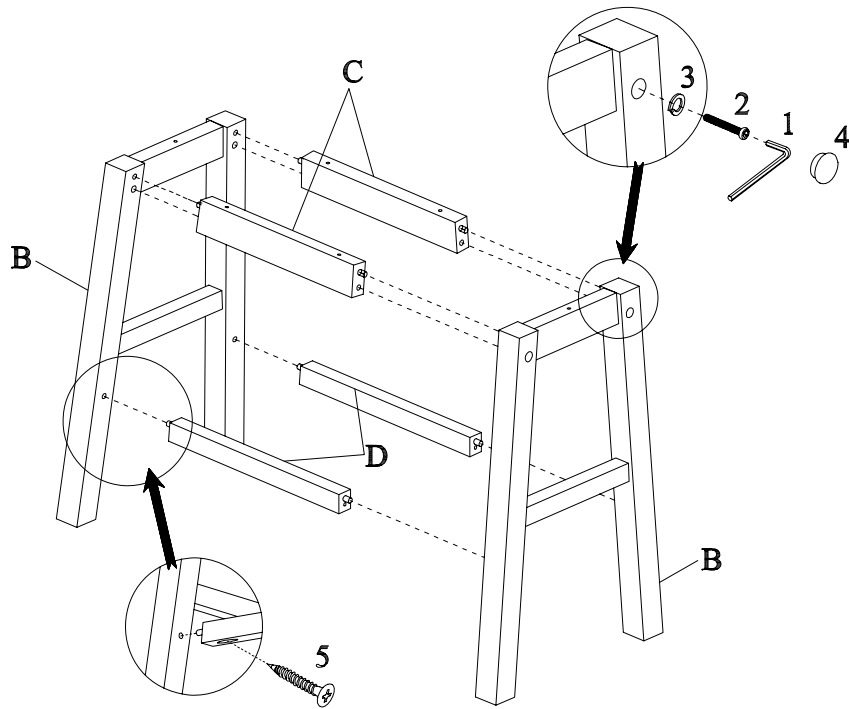
NO	DESCRIPTION	FIGURE	Q' TY
1	ALLEN KEY 5mm		1PC
2	BOLT 5/16X1-3/4"		4PCS
3	LOCK WASHER 5/16"		4PCS
4	WOOD CAP 15X19MM		4PCS
5	SCREW 8X1-3/4"		10PCS

NOTE:

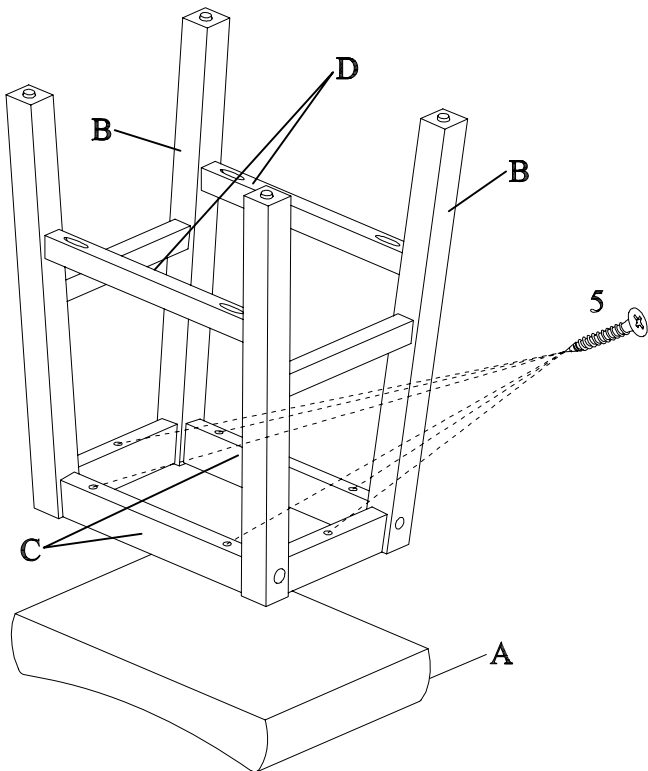
Quantities shown are for one stool.
Phillips head screw driver is required in the assembly process; however, manufacturer does not provide this item.

ASSEMBLY INSTRUCTIONS

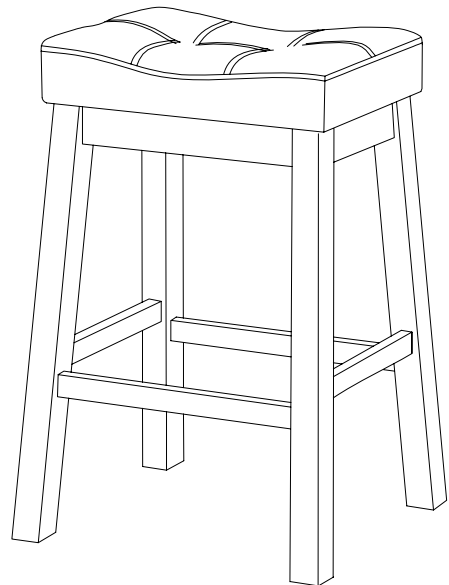
STEP: 1



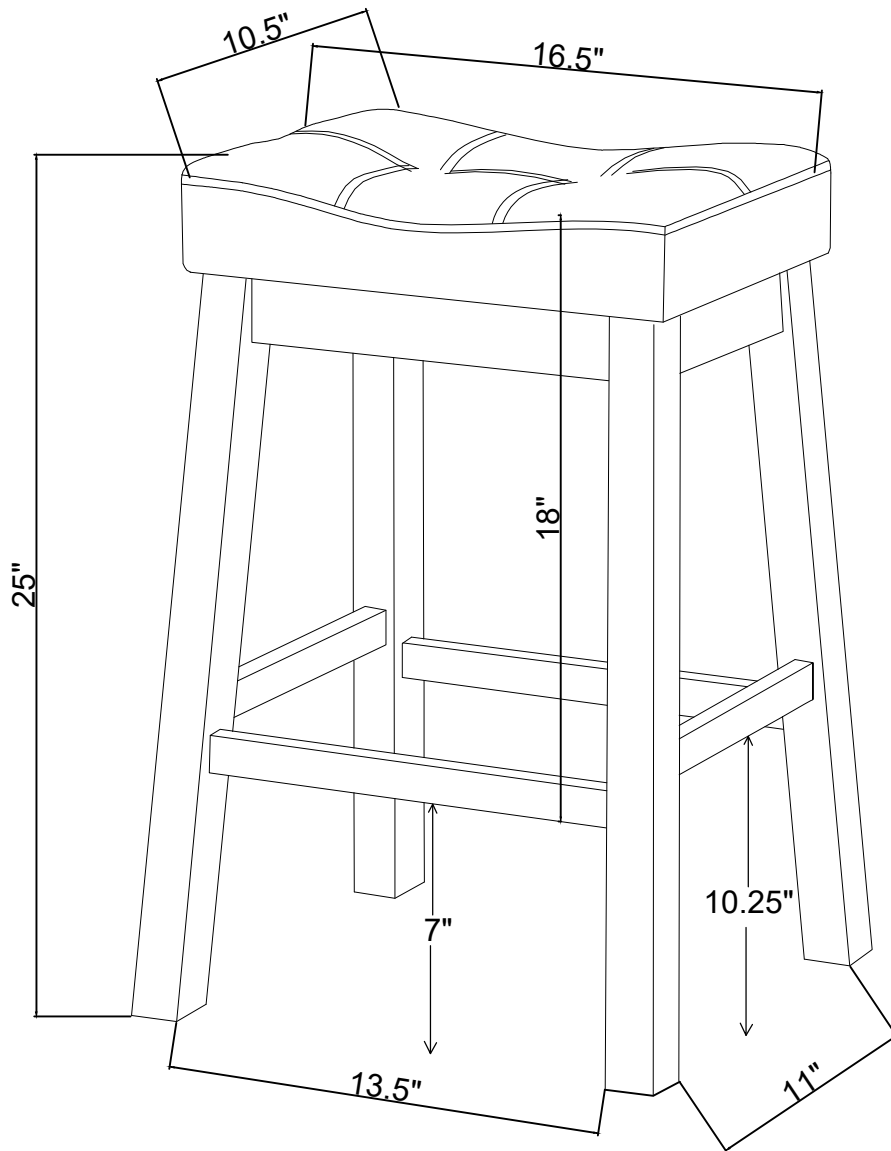
STEP: 2



STEP: 3



ASSEMBLY INSTRUCTIONS



Note: Dimension tolerance $\pm 5\%$