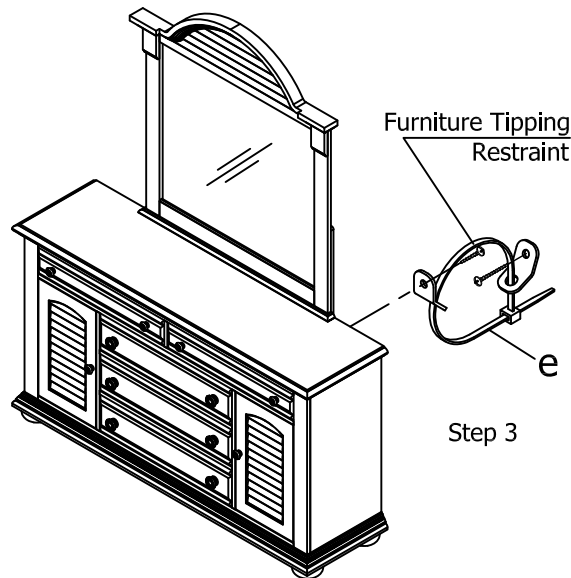
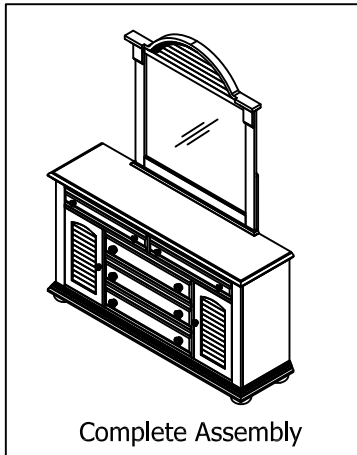


ASSEMBLY INSTRUCTION

DESCRIPTION 2 Door 5 Drawer Dresser & Mirror _

Thank you for purchasing this quality product. Be sure to check all packing materials carefully for small parts which may have come loose inside the carton during shipment. Identify and count all parts and compare with the parts List Below.

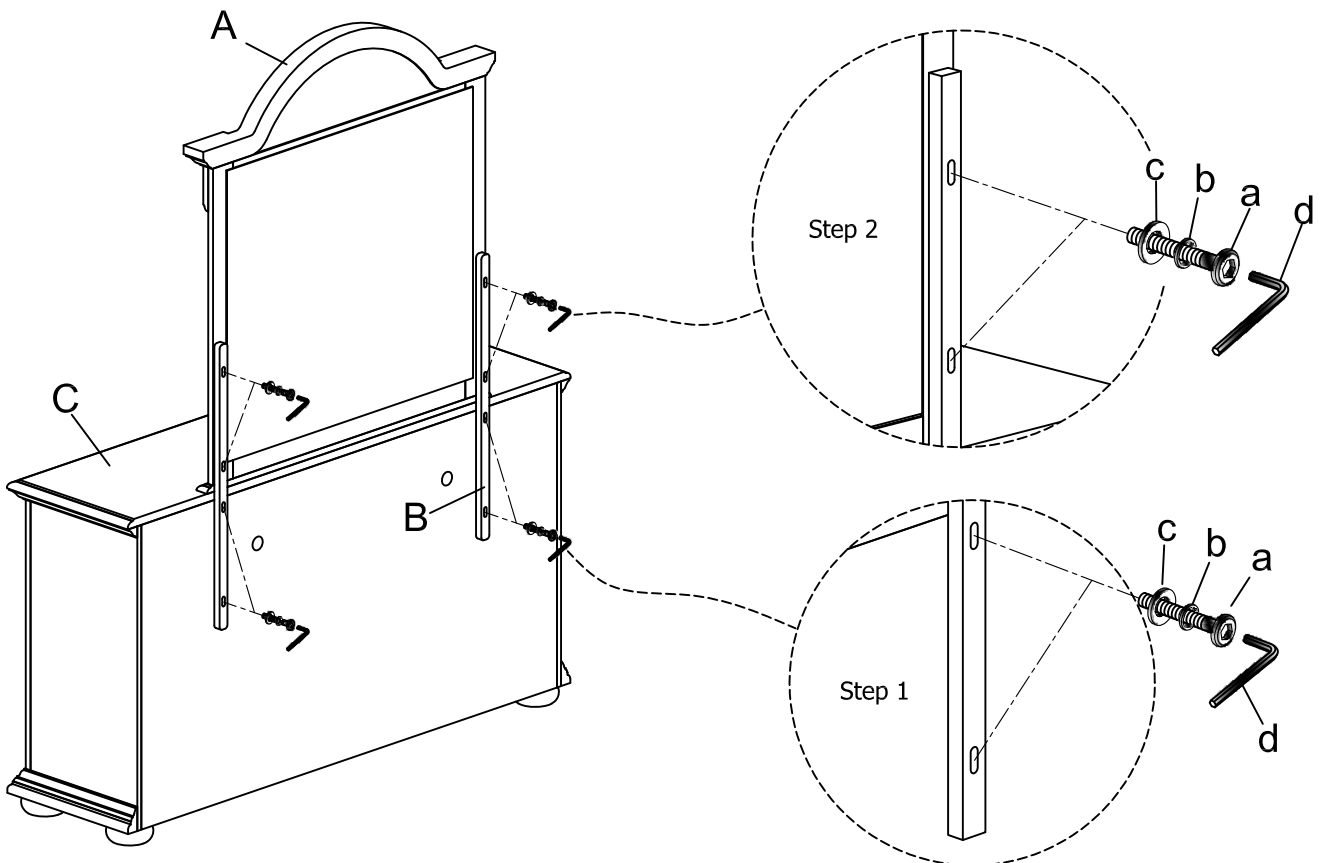


PARTS LIST

| NO. | SKETCH | DESCRIPTION | Q'TY |
|-----|--------|------------------|------|
| A | | Mirror | 1pc |
| B | | Mirror support | 2pcs |
| C | | 5 Drawer Dresser | 1pc |

HARDWARE LIST

| NO. | SKETCH | HARDWARE | Q'TY |
|-----|--------|----------------|------|
| a | | 1/4"x20x1-3/8" | 8pcs |
| b | | 1/4" | 8pcs |
| c | | 1/4"x19mm | 8pcs |
| d | | 4mm | 1pc |
| e | | | 1set |



Step 1: Attach the Mirror Support (B) to the Dresser (C) using Flat Washer (c), Lock Washer (b), Allen Bolt (a) and Allen Key (d). (Align holes in Mirror Support with pre-drilled dresser.)

Step 2: Carefully place Mirror (A) on top of Dresser (C) and sure to Mirror Support (B) using Flat Washer (c), Lock Washer (b), Allen Bolt (a) and Allen Key (d).

MADE IN VIETNAM