



# Installation Instructions



Recommended to wear gloves to avoid scratches. Please read the instructions COMPLETELY before assembly.

After opening the package, if you notice a slight deformation in the wall panels, there's no need for concern. Our material is flexible and can be manually bent back into place.

# SITE PREPARATION

Level the ground surface.



## PLAN AHEAD

### 1. Site Selection

- Avoid overhanging trees as much as possible, as fallen leaves will require frequent cleaning, and broken branches may pose a hazard.
- Nearby small trees, bushes, or fences can act as effective windbreaks.

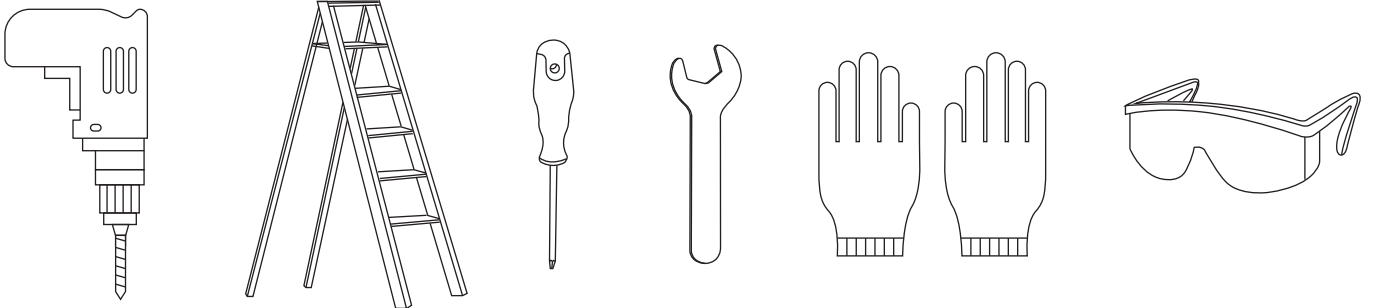
### 2. Site Preparation

- Ensure the site is prepared with a level base for the shed; Using a spirit level is recommended.
- Construct the base using treated timber or concrete to prevent moisture from seeping into the shed. The shed is not designed to be placed directly on a lawn, as the ground can become muddy during rainy days.
- If constructing a concrete pad, slope it slightly towards the edges to prevent water ingress.
- Allow sufficient time for the concrete or cement to dry completely before assembling the shed on top.
- Bases can also be constructed using bricks, blocks, or mounted on a concrete pad. Cement the bricks or blocks onto firm and level concrete footings, then drill and secure the shed frame to the base.

## BEFORE STARTING ASSEMBLY

- Remove all of the pieces from the package and spread them out on the ground.
- Before installation, please check the type and quantity of parts first.
- It is recommended to use a clean work surface to spread the parts out and for pre-assembly steps. Review all instructions before you begin, continue to refer to instructions during assembly.
- Be sure to follow all steps thoroughly.
- Please prepare these components in advance at the beginning of each stage.
- During the installation process, pay attention to distinguishing the direction when tightening the screws.

## REQUIRED TOOLS



## CAUTION

Some parts have steel edges. Please be careful when handling components. Always wear work gloves, eye protection and long sleeves when assembling or performing any maintenance on your shed. Do not attempt assembly on days with strong winds or low temperatures.



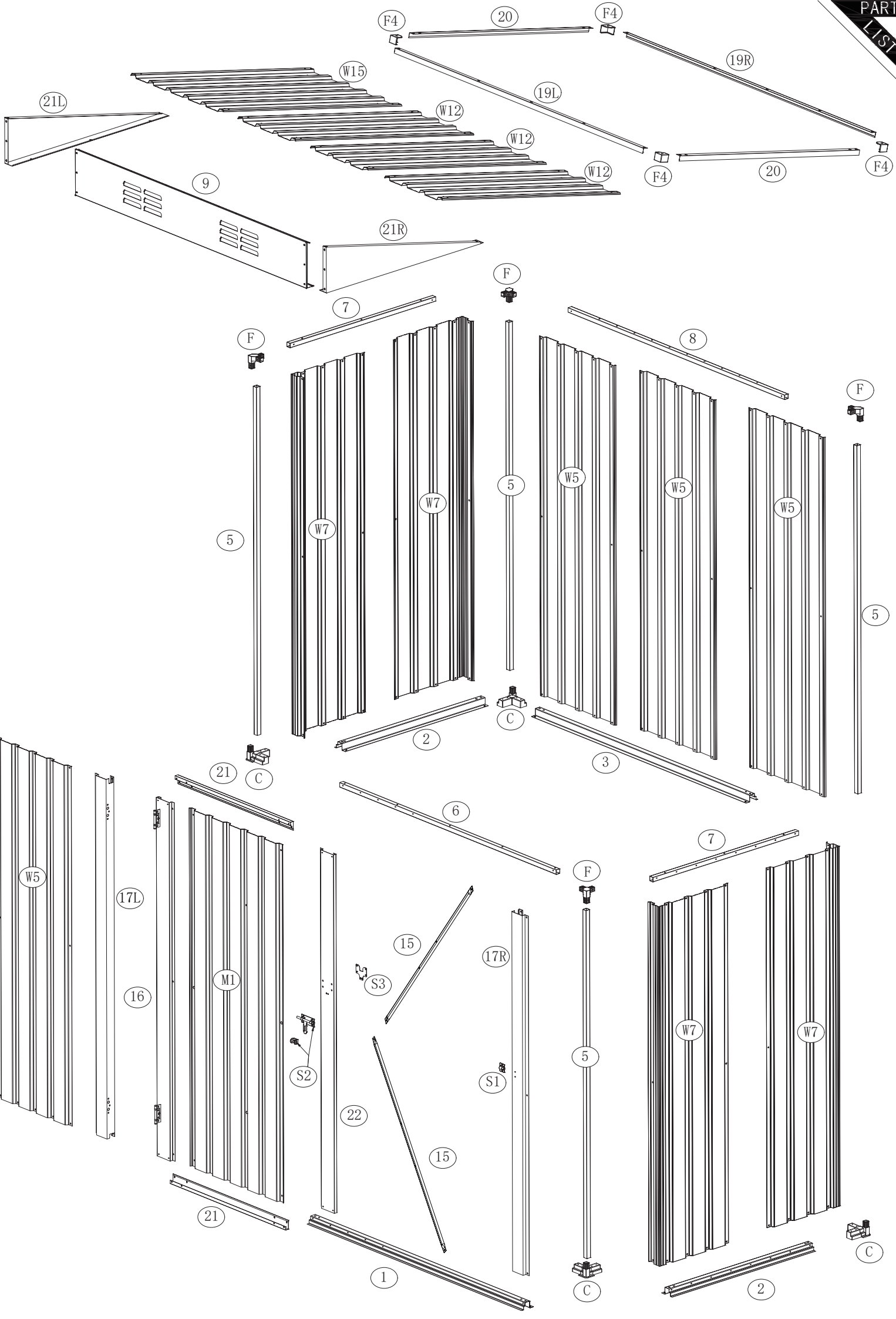
Requires two people and takes 2-3 hours for Installation. Recommended to wear gloves to avoid scratches. Please read the manual carefully before installation.






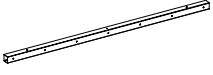

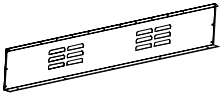



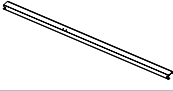



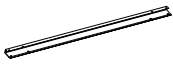








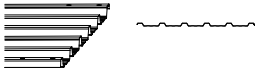

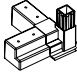



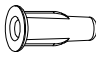

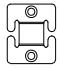
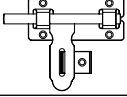
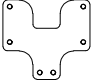
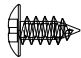



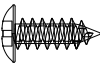

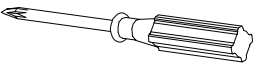

CALL US FIRST! ! !






DO NOT RETURN TO STORE

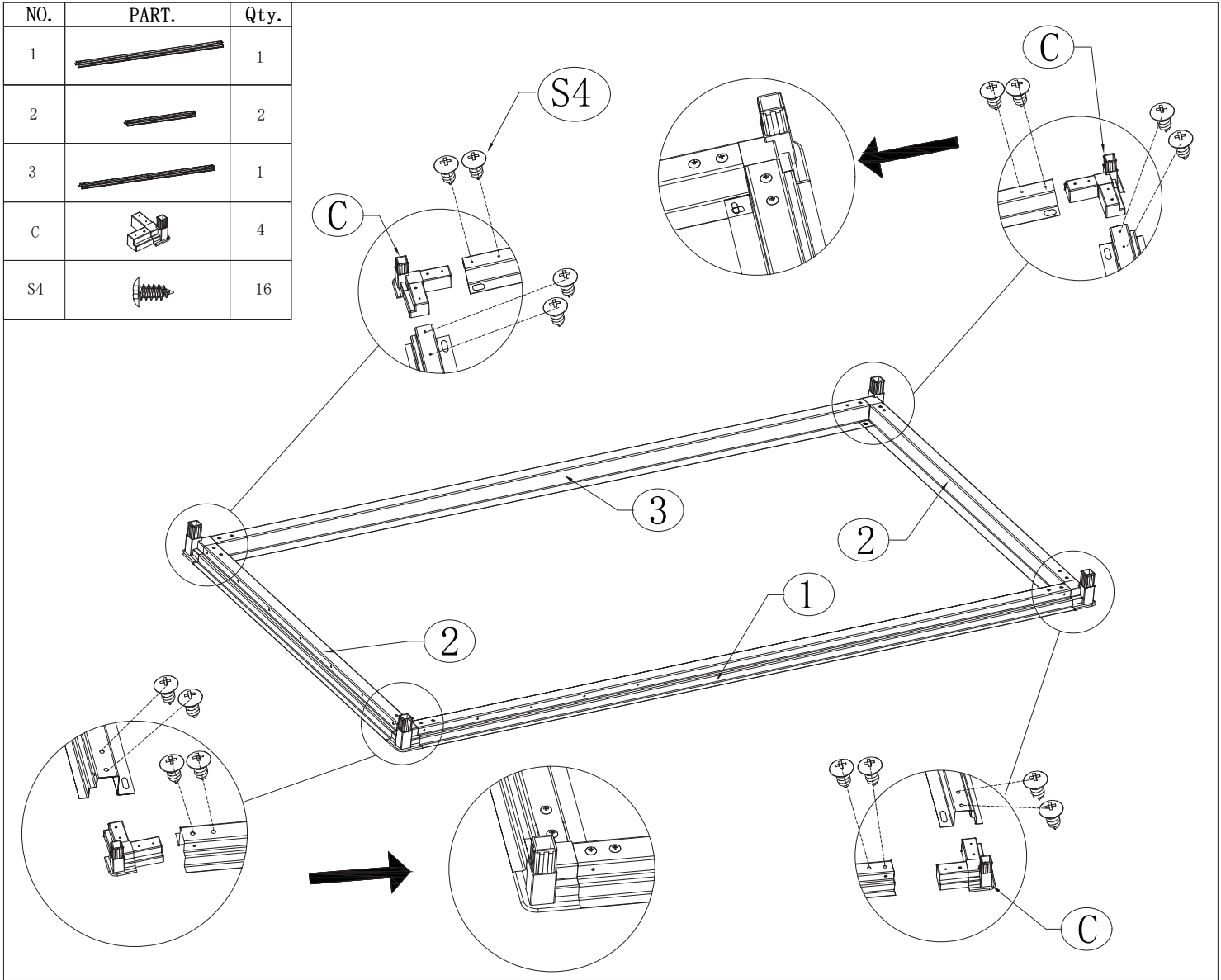
For immediate help with assembly or product information, please call us for assistance.




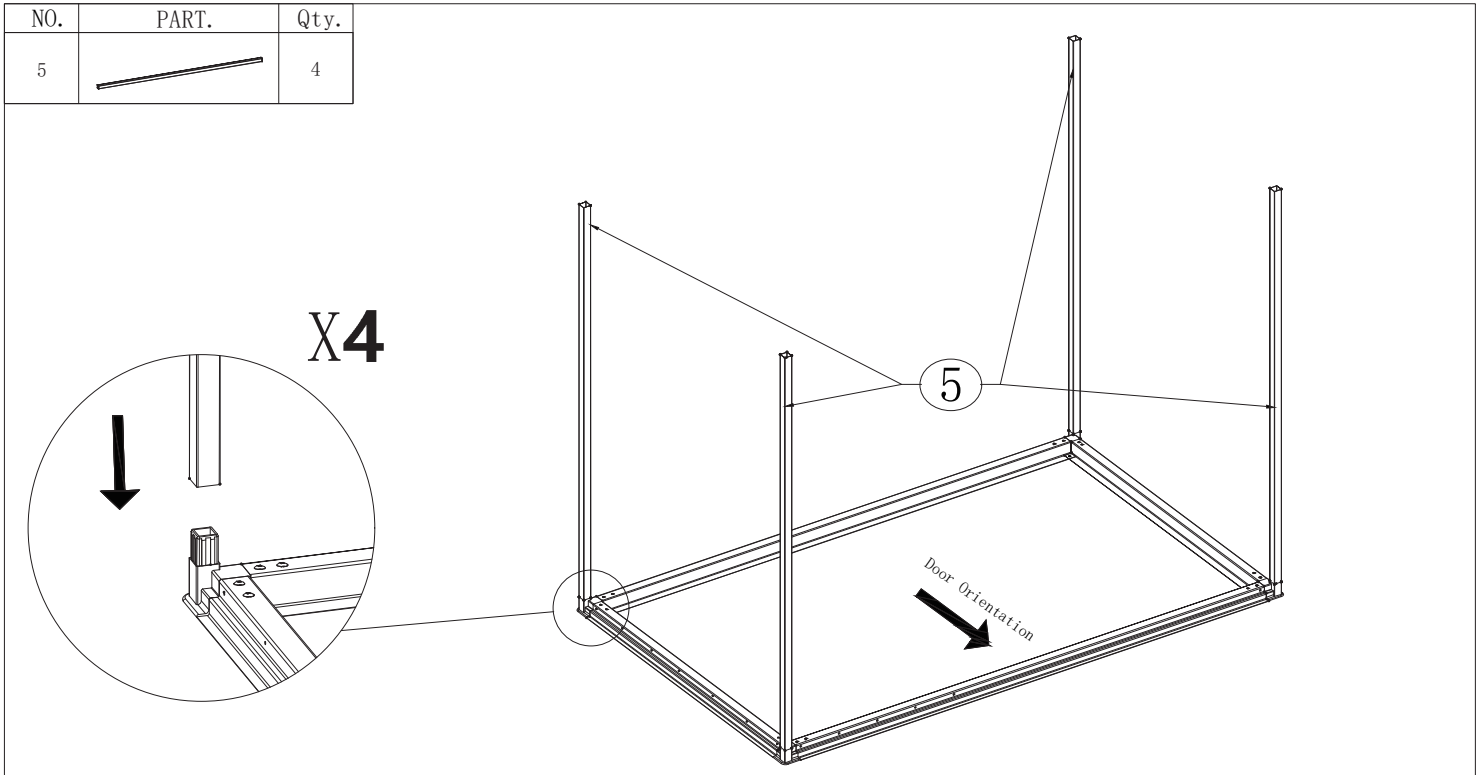
NO.	PART.	Qty.
1		1
2		2
3		1
5		4
6		1
7		2
8		1
9		1
15		2
16		1
17L		1
17R		1
19L		1
19R		1
20		2
21		2
21L		1
21R		1
22		1
W5		4
W7		4






NO.	PART.	Qty.
W12		3
W15		1
M1		1
C		4
F		4
F4		4
F7		38
F8		29
F9		2
S1		1
S2		1
S3		1
S4		151
S6		32
S6A		5
S7		31
S8		4
S9		4
S12		1
S15		1

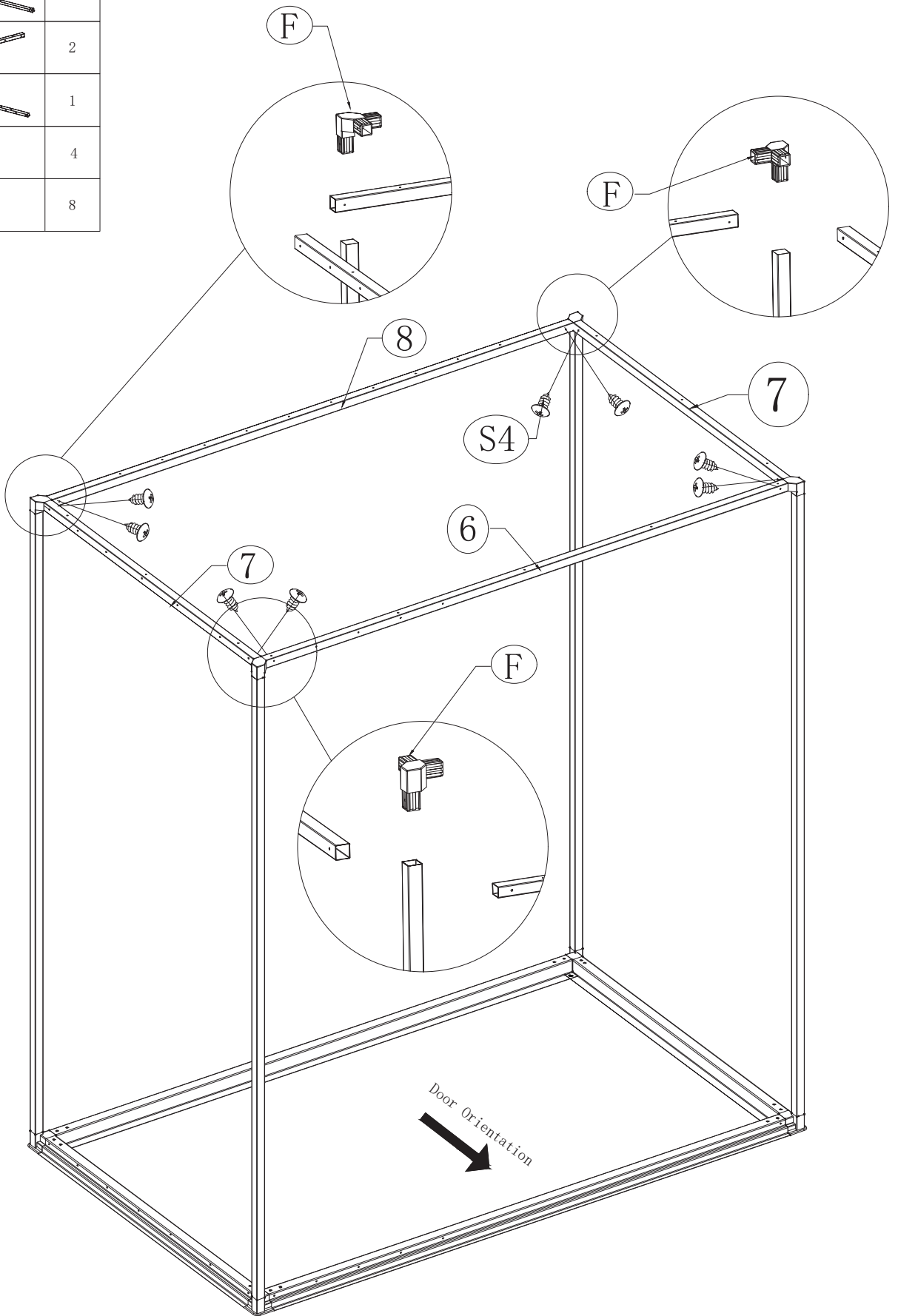
NO.	PART.	Qty.
1		1
2		2
3		1
C		4
S4		16







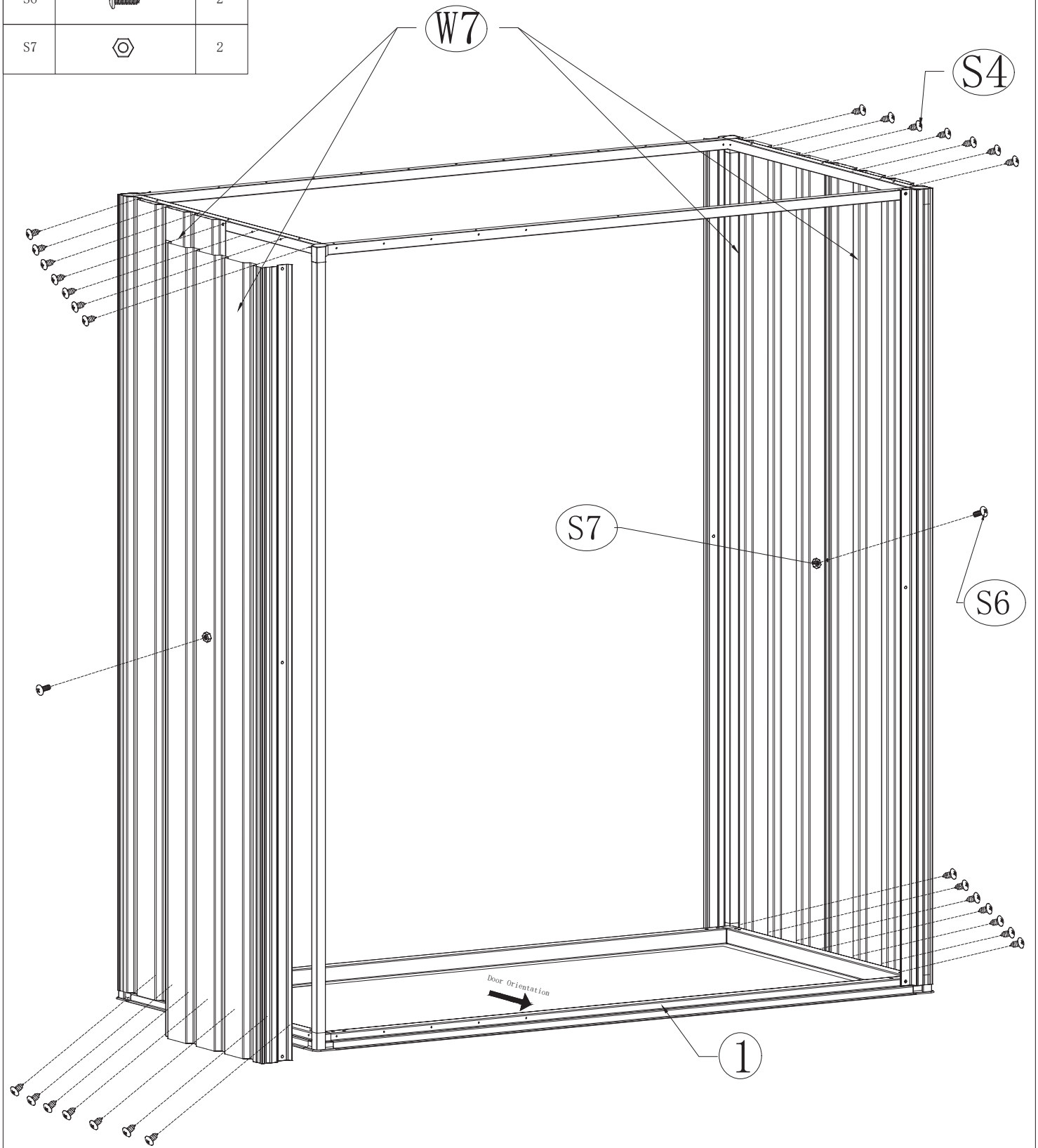
NO.	PART.	Qty.
5		4







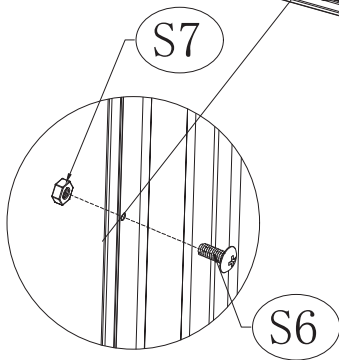
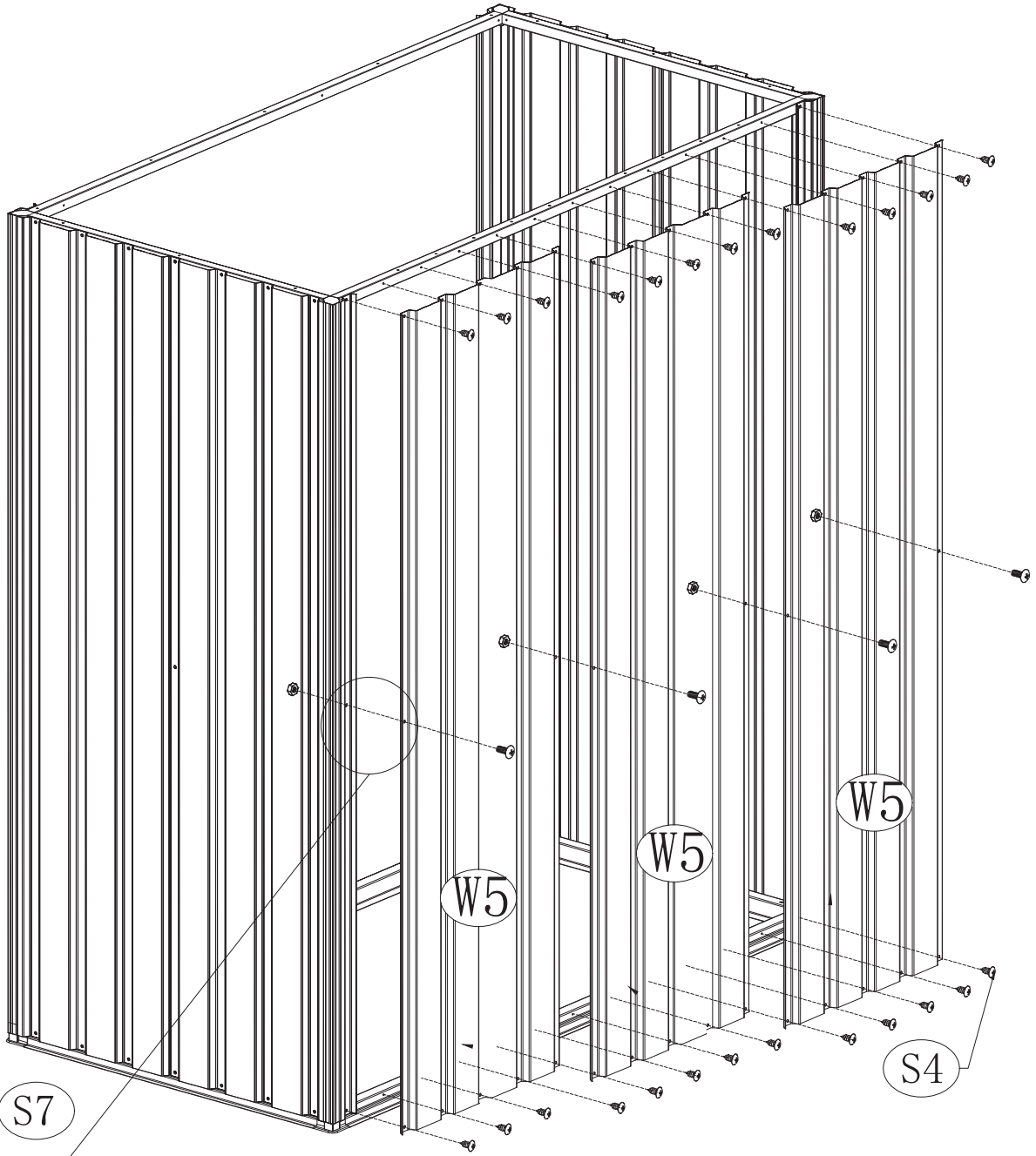
NO.	PART.	Qty.
6		1
7		2
8		1
F		4
S4		8







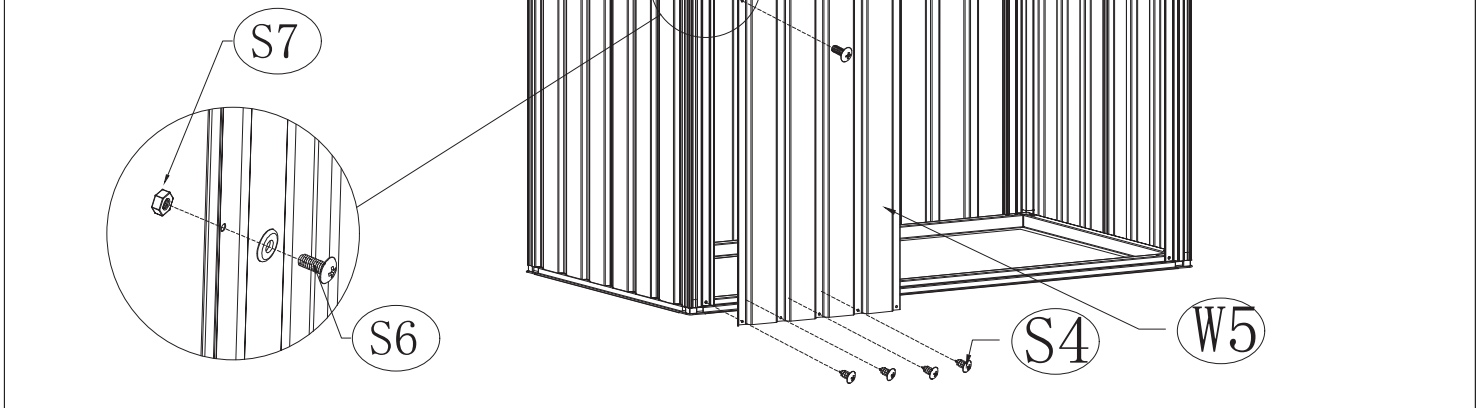
NO.	PART.	Qty.
W7		4
S4		28
S6		2
S7		2









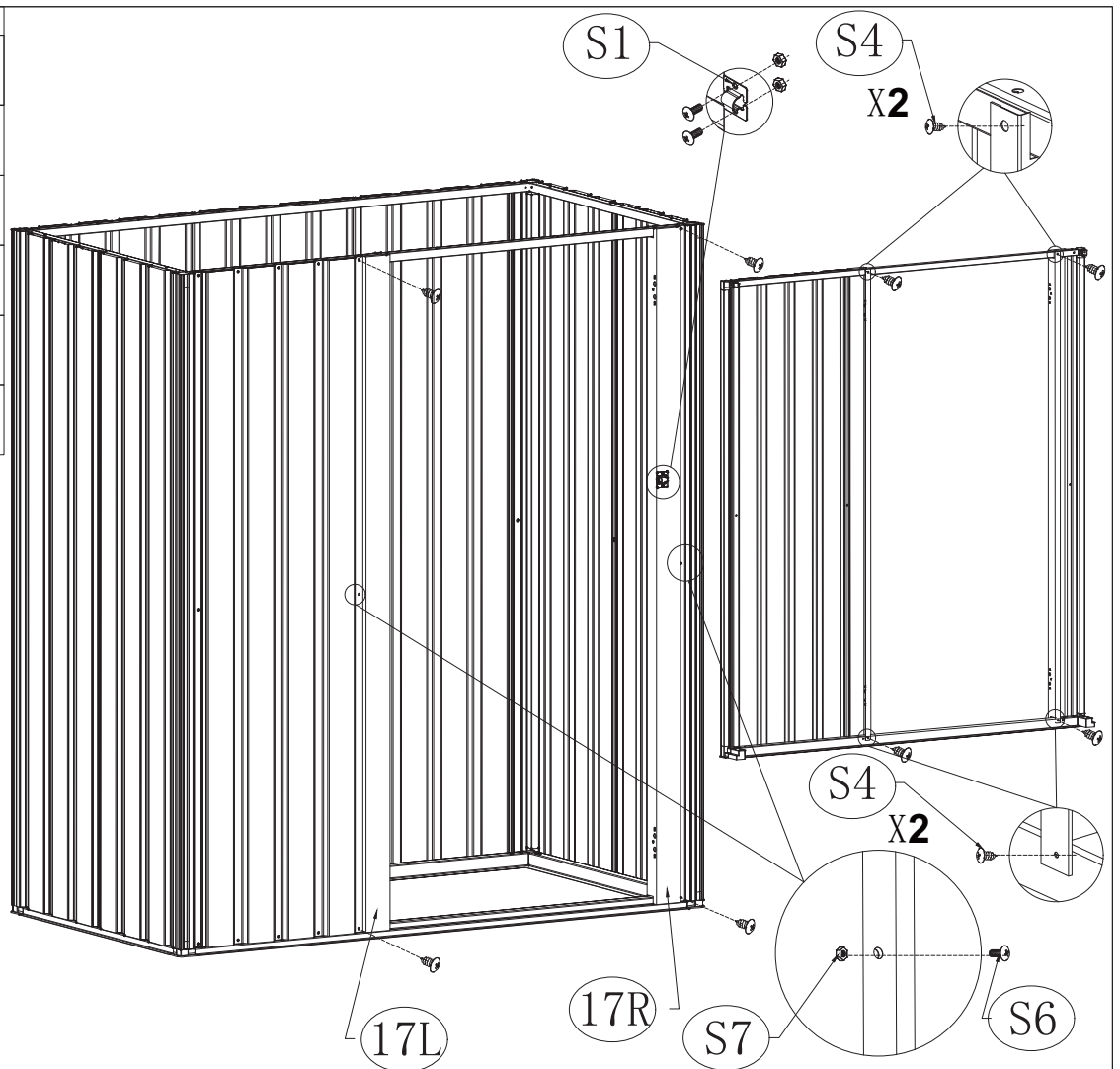
NO.	PART.	Qty.
W5		3
S4		26
S6		4
S7		4






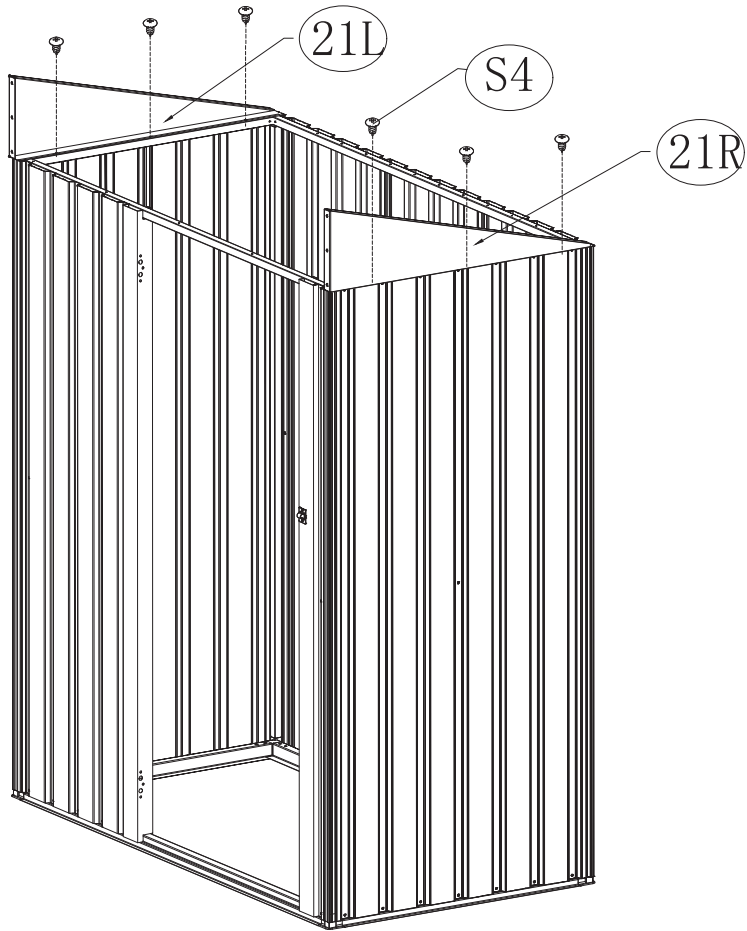
NO.	PART.	Qty.
W5		1
S4		8
S6		1
S7		1




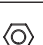


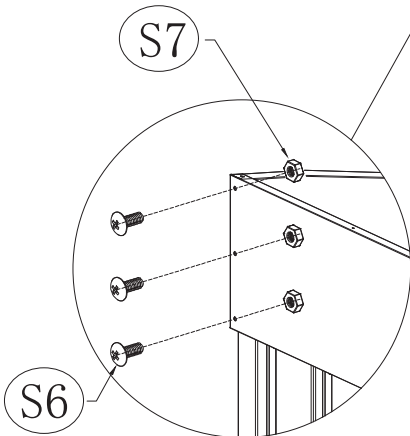
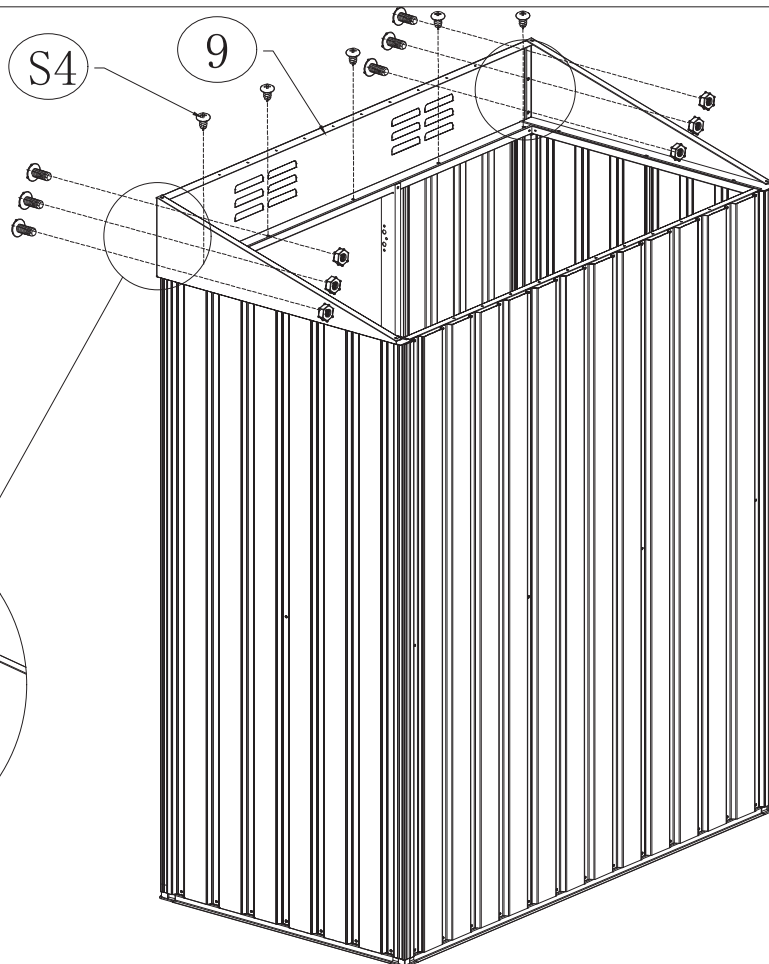
NO.	PART.	Qty.
17L		1
17R		1
S4		8
S6		4
S7		4
S1		1







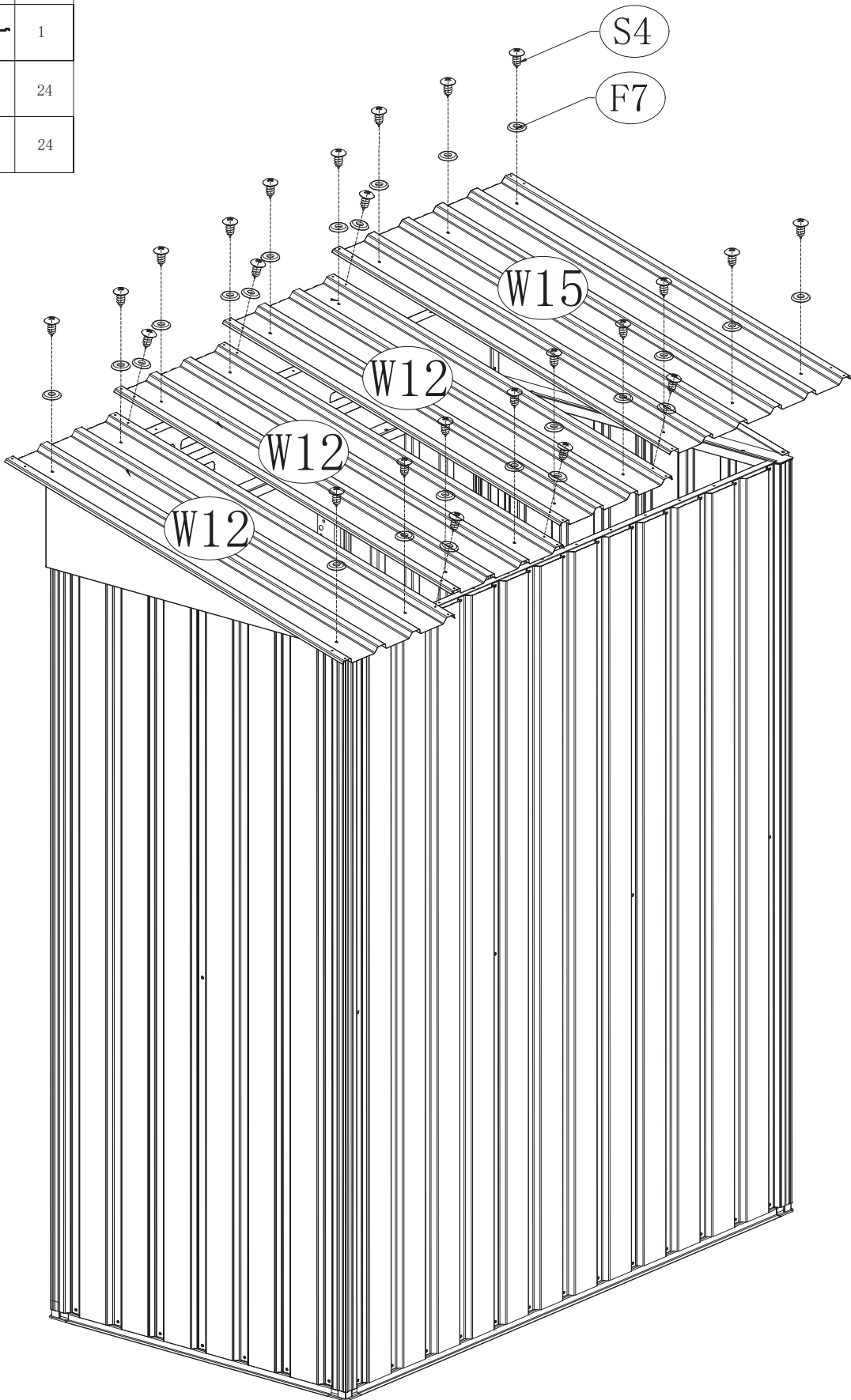
NO.	PART.	Qty.
21L		1
21R		1
S4		6






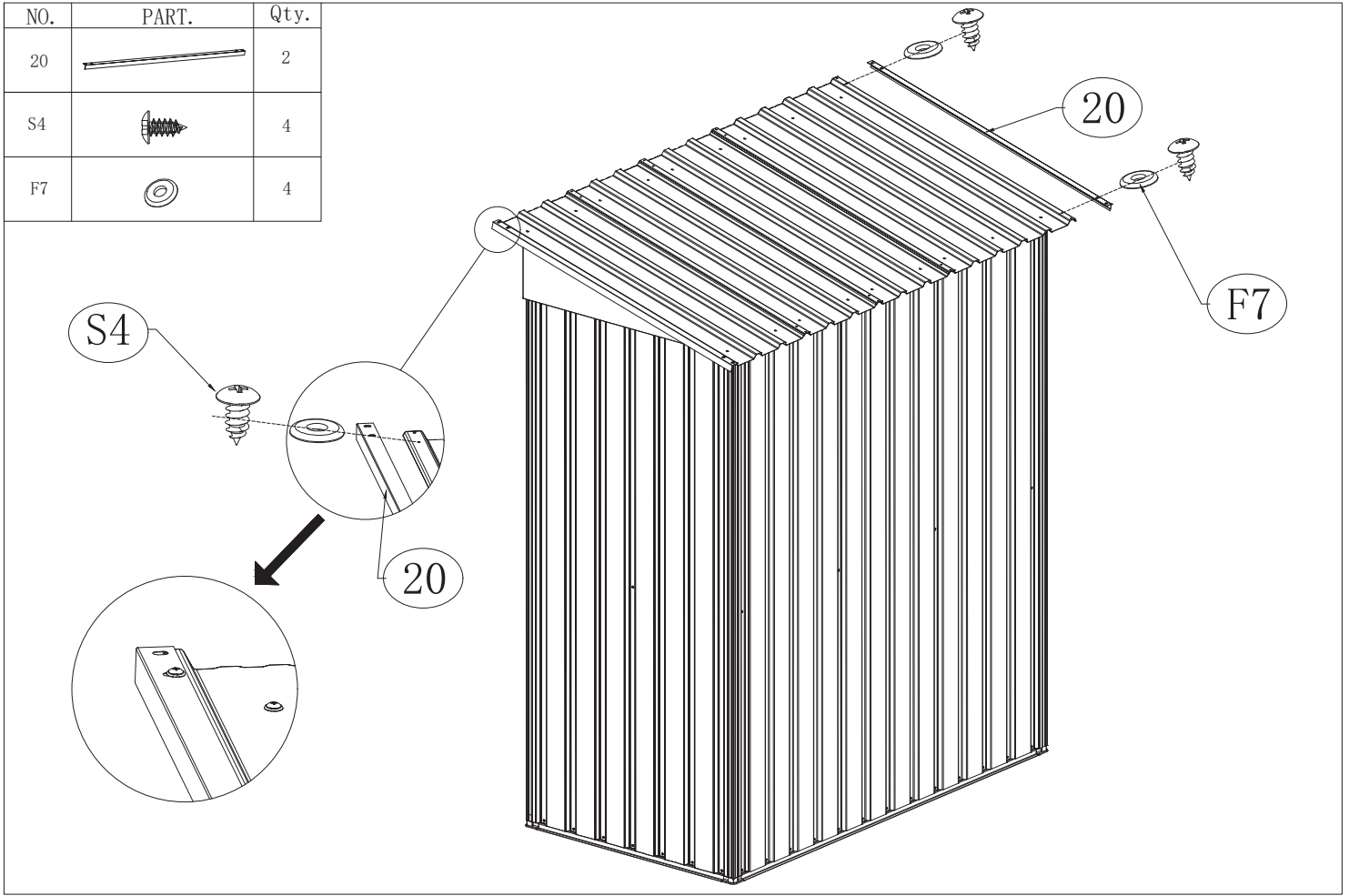
NO.	PART.	Qty.
9		1
S4		5
S6		6
S7		6




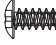




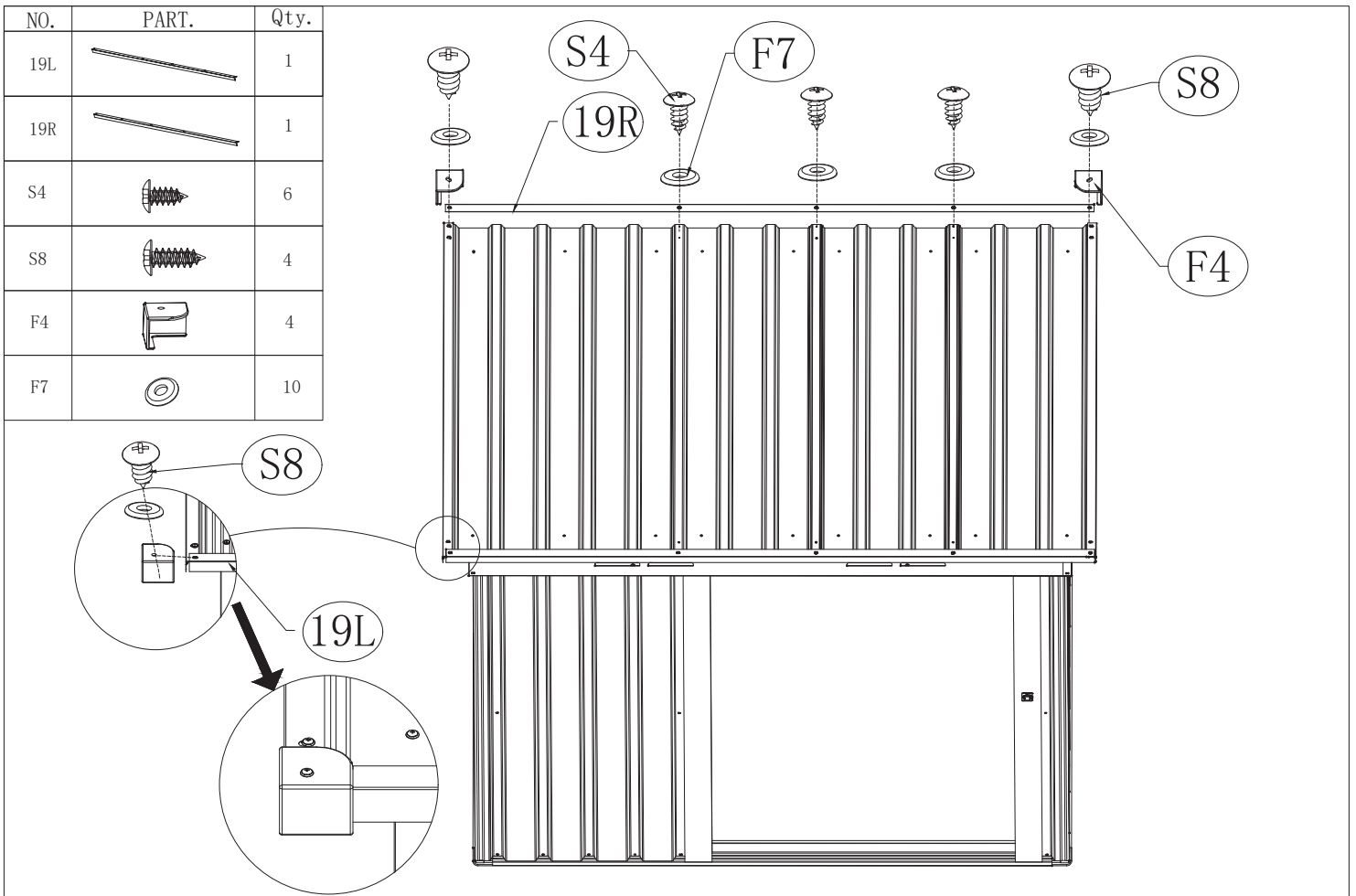
NO.	PART.	Qty.
W12		3
W15		1
S4		24
F7		24

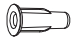


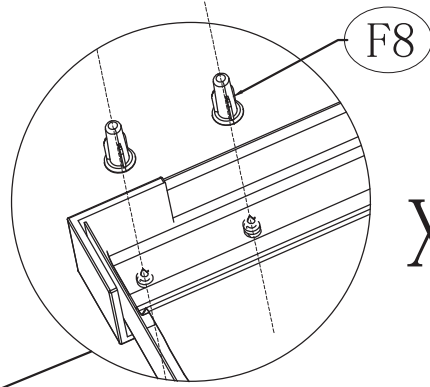
NO.	PART.	Qty.
20		2
S4		4
F7		4



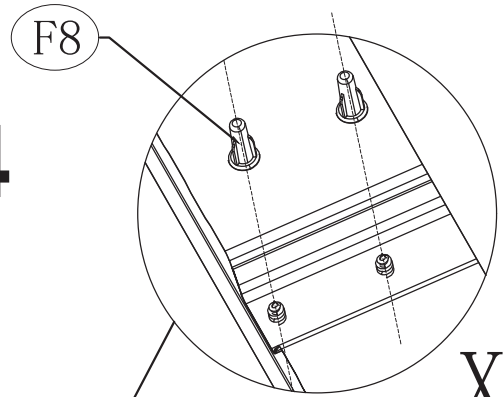
NO.	PART.	Qty.
19L		1
19R		1
S4		6
S8		4
F4		4
F7		10



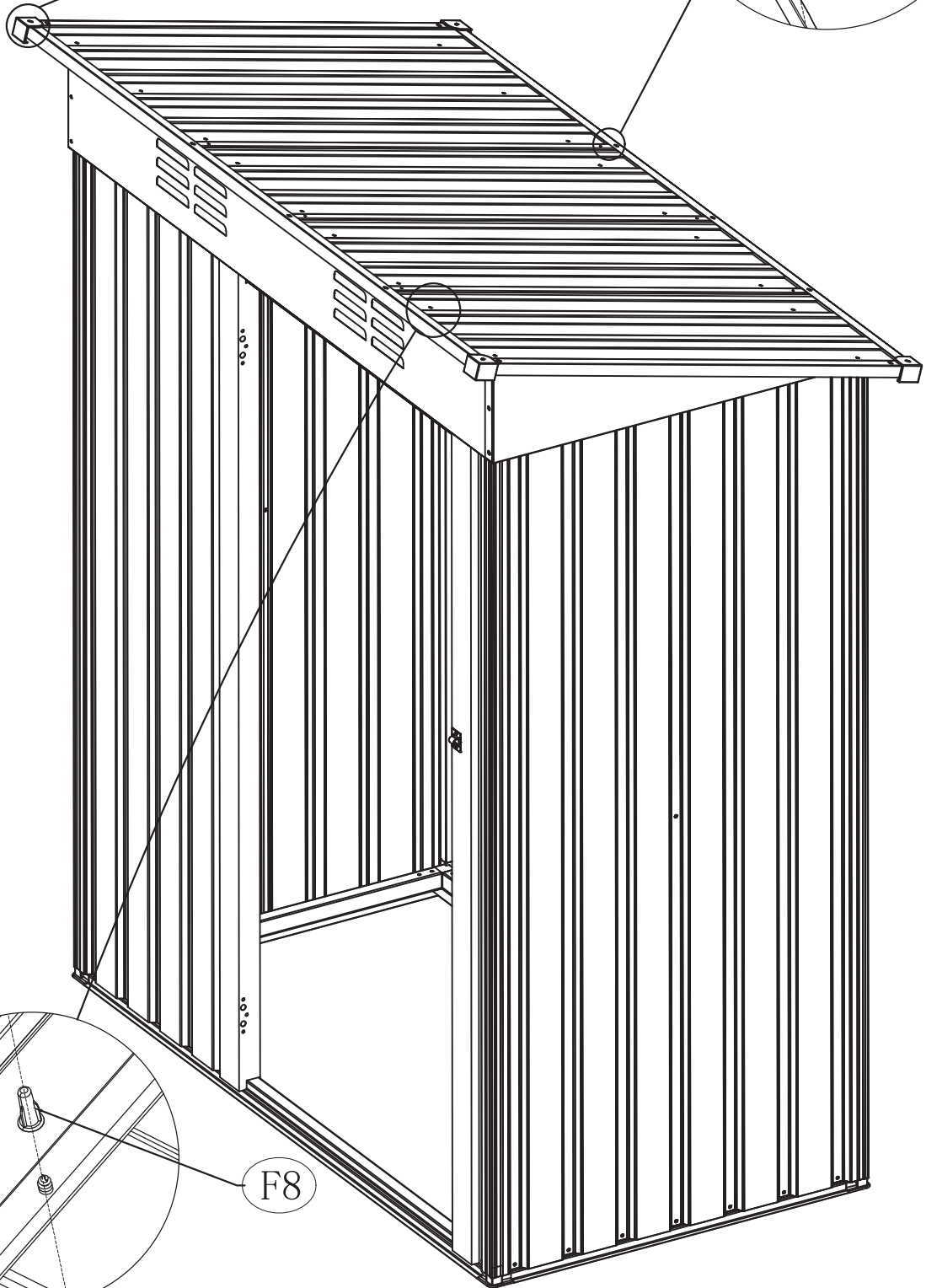
NO.	PART.	Qty.
F8		29



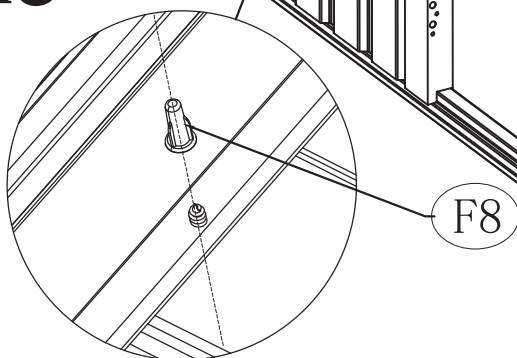
**X4**






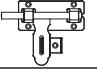







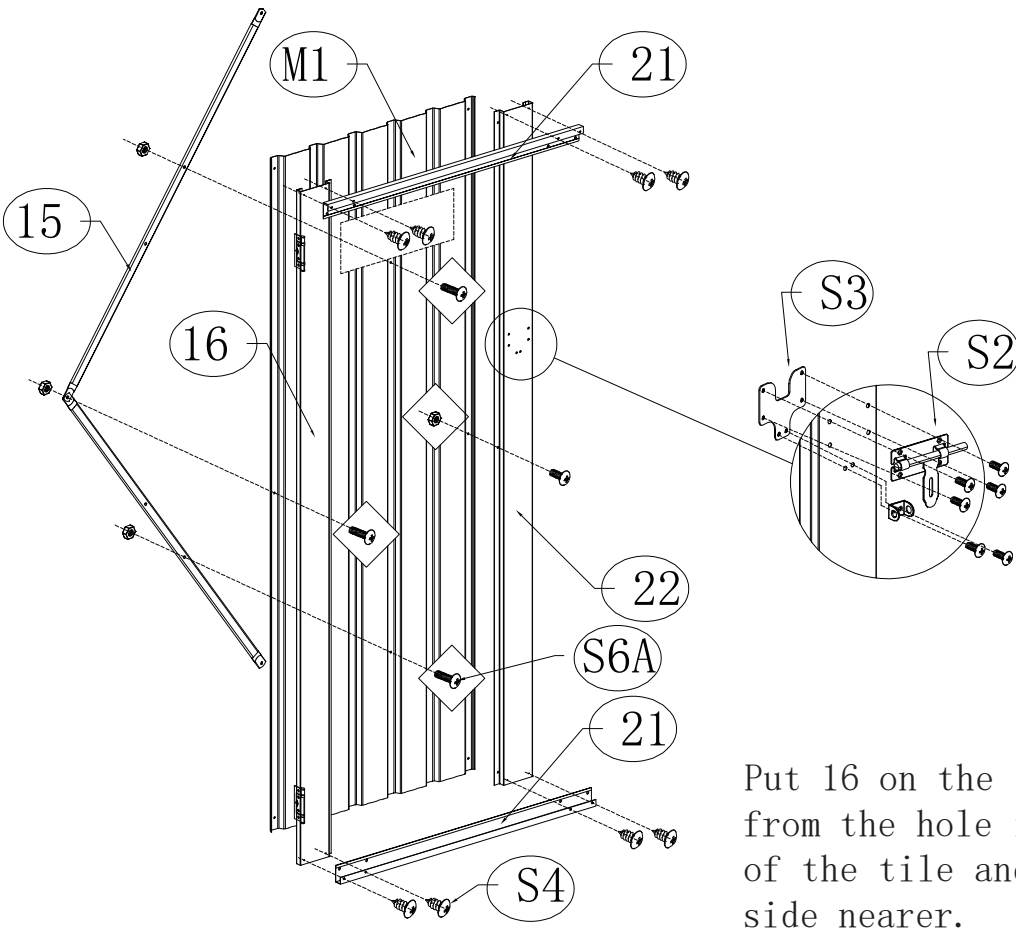
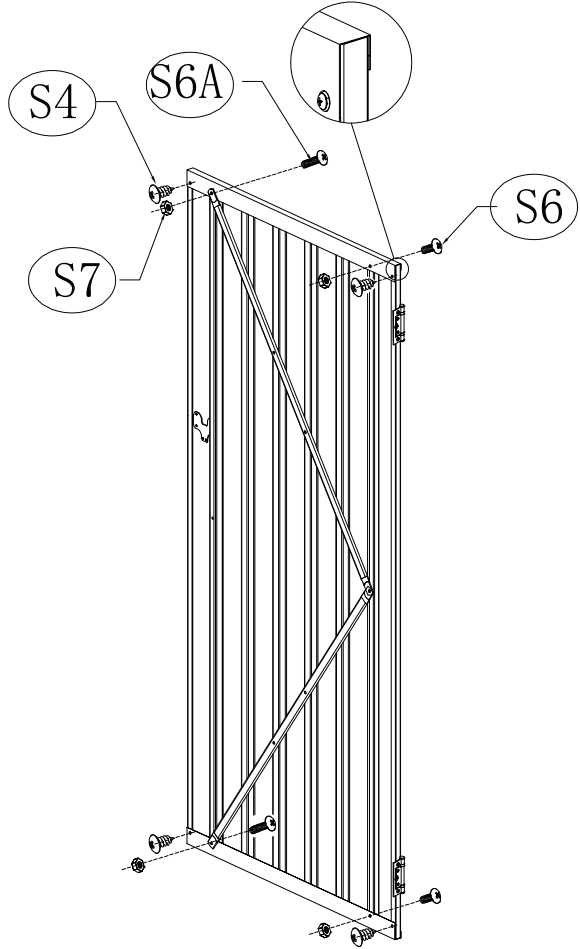
**X6**






**X9**

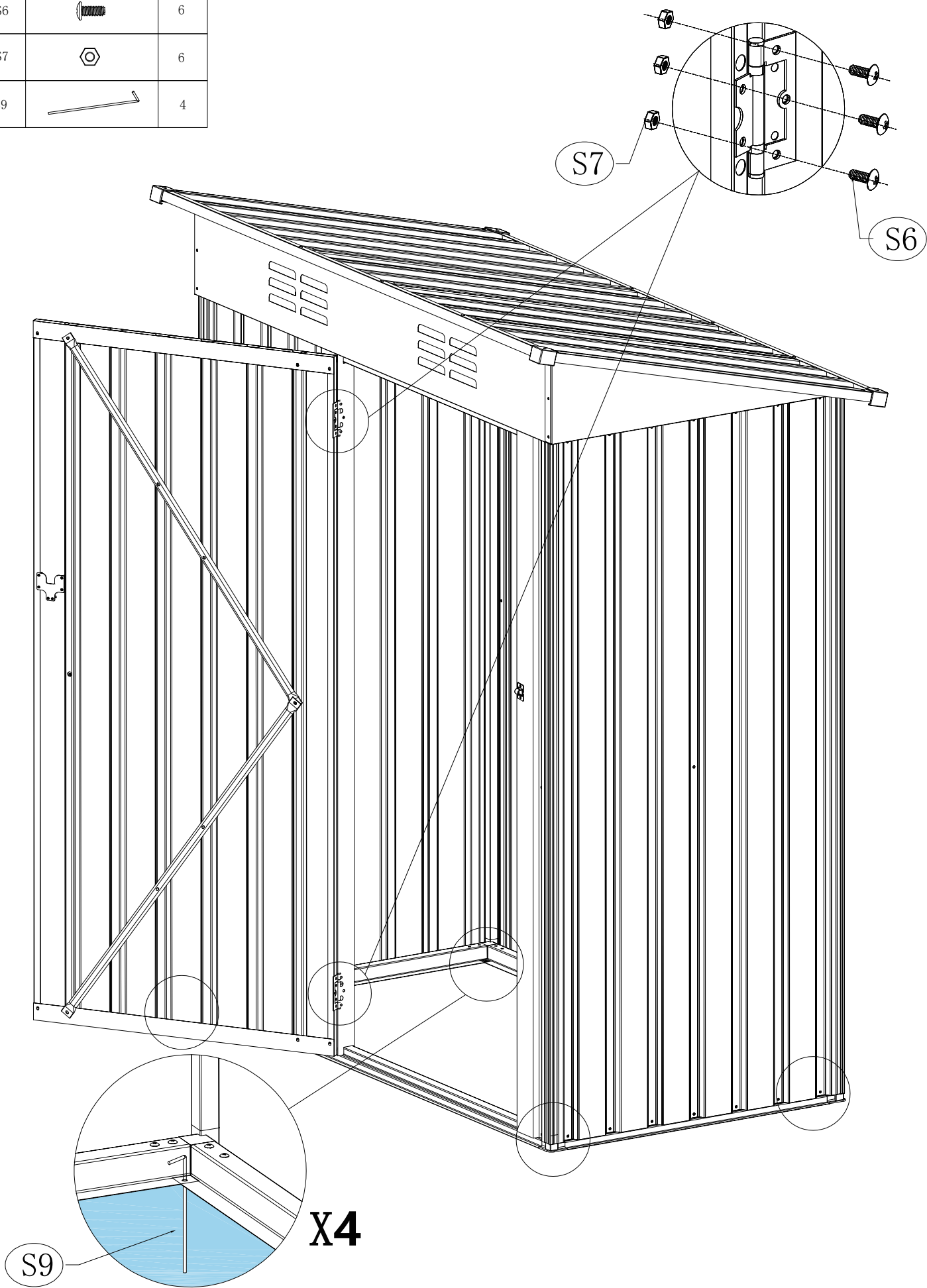


NO.	PART.	Qty.
15		2
16		1
21		2
22		1
M1		1
S2		1
S3		1
S4		12
S6		9
S6A		5
S7		8



Put 16 on the side farther from the hole in the center of the tile and 22 on the side nearer.

NO.	PART.	Qty.
S6		6
S7		6
S9		4



# WARNING

## ADULT ASSEMBLY REQUIRED

### CHOKING HAZARD

- This product includes small parts, sharp points and sharp edges in its unassembled state.
- Keep unassembled parts away from children under 3 years of age, and animals.

### SAFETY WARNINGS

- Follow the information on the warnings appearing on this manual.
- Do not allow children under 3 years of age to use the product.
- Do not use substitute parts. Contact the manufacturer for replacement parts.

### USE, MAINTENANCE & ASSEMBLY

- Periodically check and ensure that the components are in their proper position, free from damage, and that all connectors are tight.
- Use on level surfaces only. Assemble on a soft level surface to avoid damage to unit or floor.
- Do not use this item if any components are missing or damaged.
- Only clean using damp cloth and mild detergent, do not use bleach or abrasive cleaners.

## CARE & SAFETY

- Unsuitable for storage of flammable or corrosive substances.
- It is of utmost importance to assemble all of the parts according to the directions. Do not skip any step.
- Please consult your local authorities if any permits are required to erect shed.
- Periodically check shed to assure that it remains stable and that the site remains level.
- It is highly recommended to secure the shed to an immovable object or to the ground by drilling holes in the floor at the pre-marked locations and inserting proper screws into the ground (screws are not included).
- Wear safety-goggles and always follow the manufacturer's instructions when using power tools.
- Wash shed with garden hose or a mild detergent solution. Using a stiff brush or abrasive cleaner could damage shed.
- Hot items such as recently used grills, blowtorches, etc. Must not be stored in the shed.
- Heavy articles should not be leaned against the walls, as this may cause distortion.
- Keep roof clean of snow and leaves. Heavy amounts of snow on roof can damage the shed making it unsafe to enter.
- Although wind direction varies, it is an important factor when taking into account where to place your shed. Therefore, it is recommended to reduce wind exposure of the shed in general, and the door side in particular.
- Keep doors closed and locked to prevent wind damage.
- Do not stand on the roof.

## RETURN REQUEST

***In order to get a full refund as described in this return policy, all items must be:***

- (1) In a brandnew/unused condition, please provide photos before and after packaging.
  - (2) When returning, all accessories and parts are firmly packed in all original packaging.
- If your return does not meet the requirements, you may not get a full refund.

***When will I be refunded?***

The refund is released once the goods have been returned to our warehouse.

***What if the product is damaged/defective outside of the valid return period?***

We want you to be a happy customer. Please reach out to us by email and we will come up with a solution to make sure you are satisfied.

