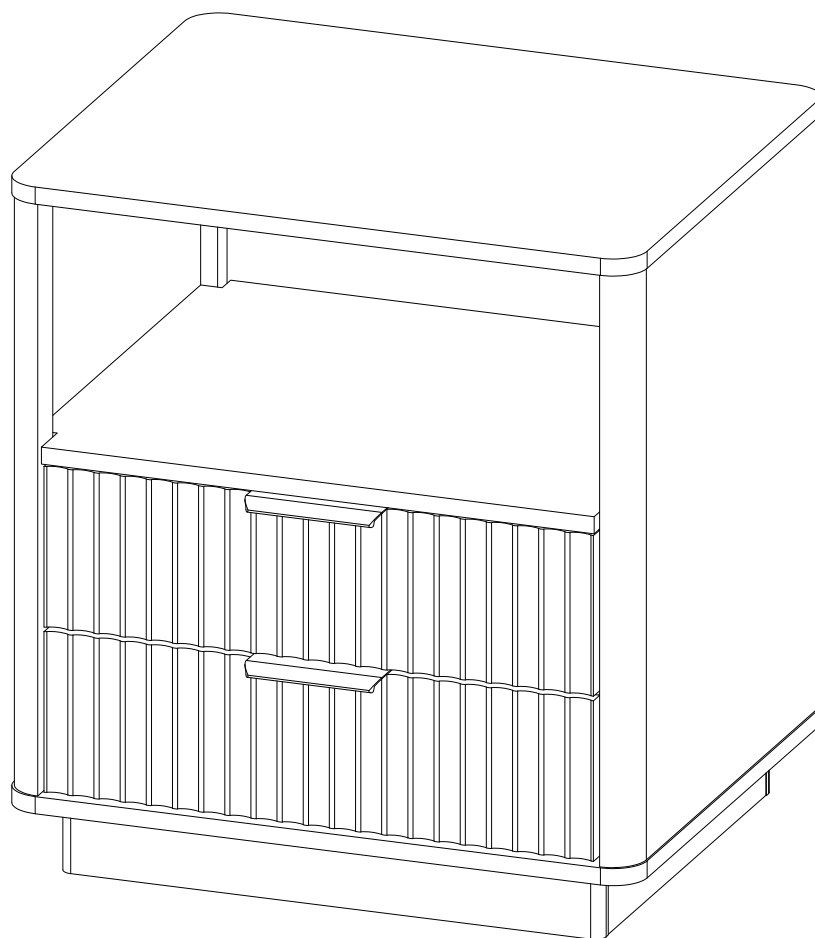
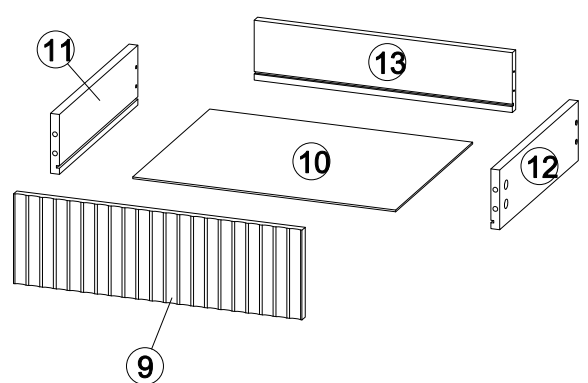
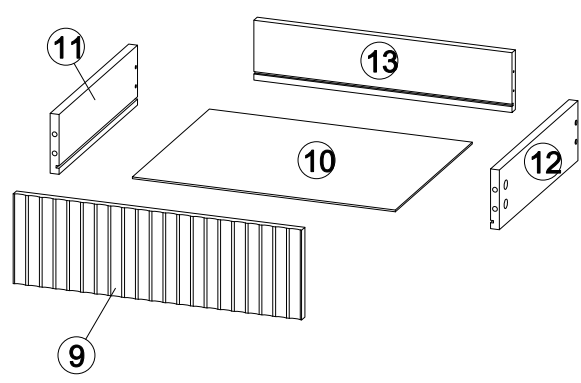
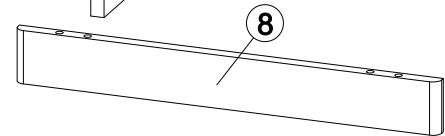
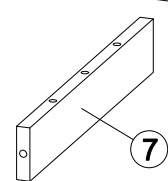
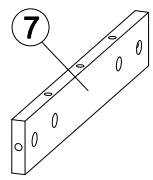
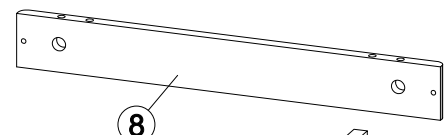
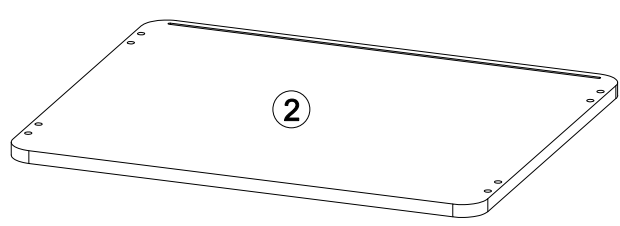
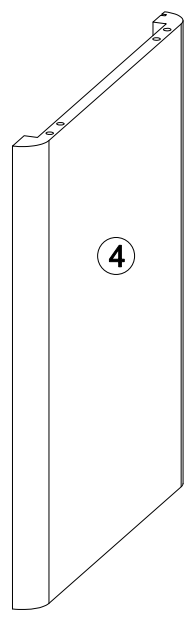
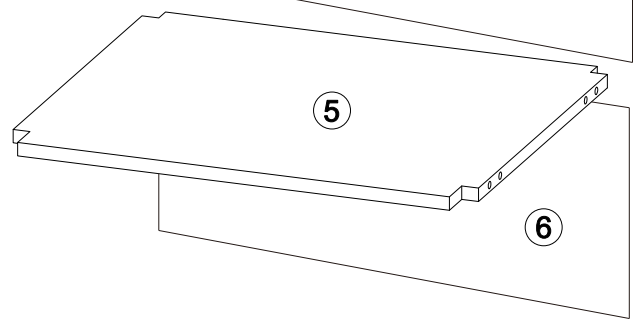
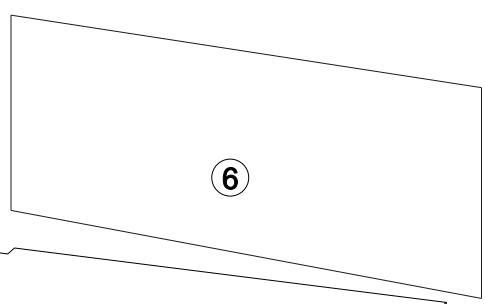
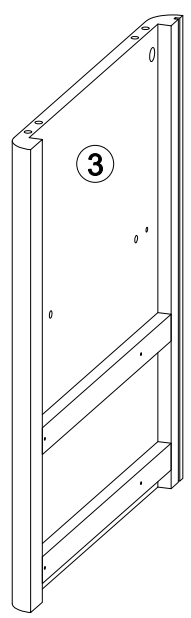
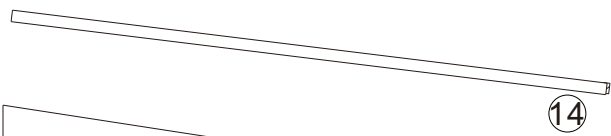
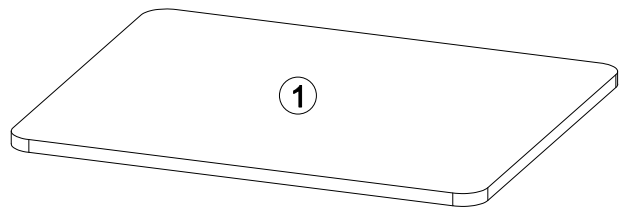
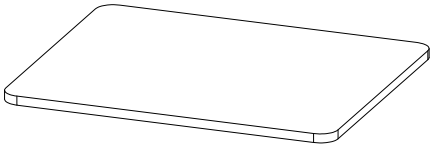


INSTRUCTION MANUAL

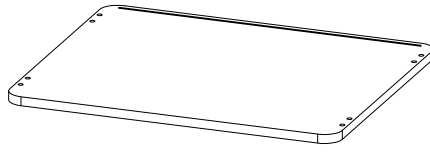




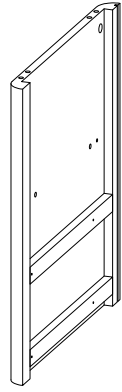
① x1PC



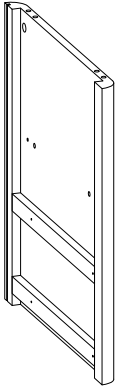
② x1PC



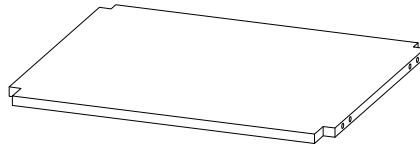
③ x1PC



④ x1PC



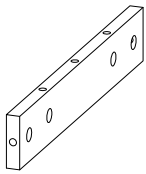
⑤ x1PC



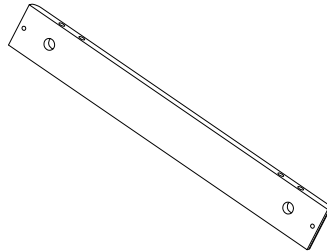
⑥ x2PCS



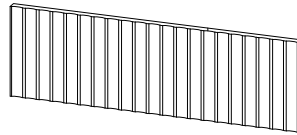
⑦ x2PCS



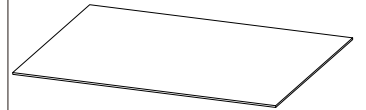
⑧ x2PCS



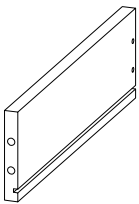
⑨ x2PCS



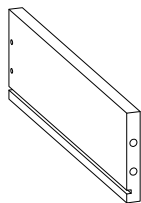
⑩ x2PCS



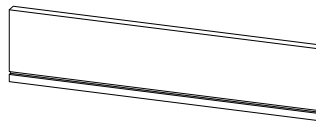
⑪ x2PCS



⑫ x2PCS

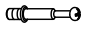

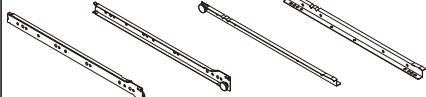



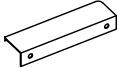



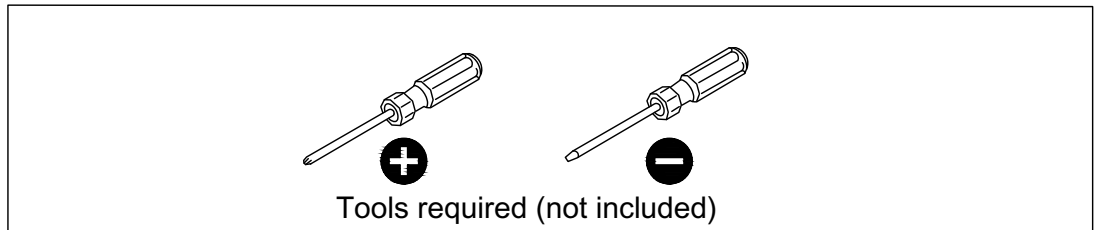
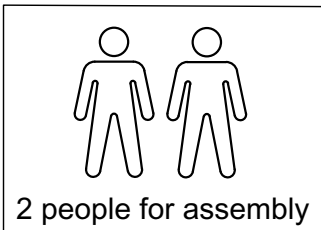
⑬ x2PCS



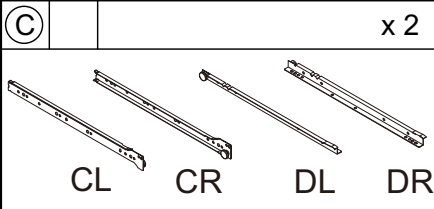
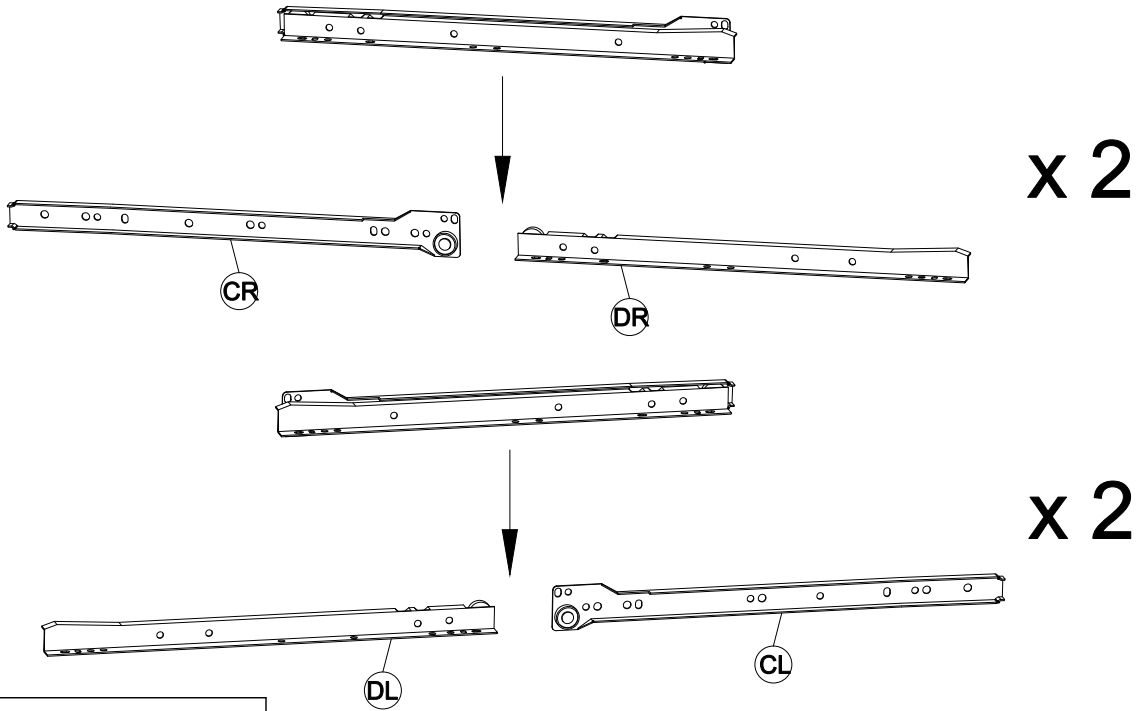
⑭ x1PC



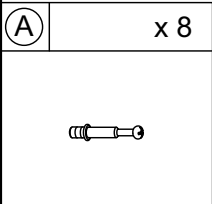
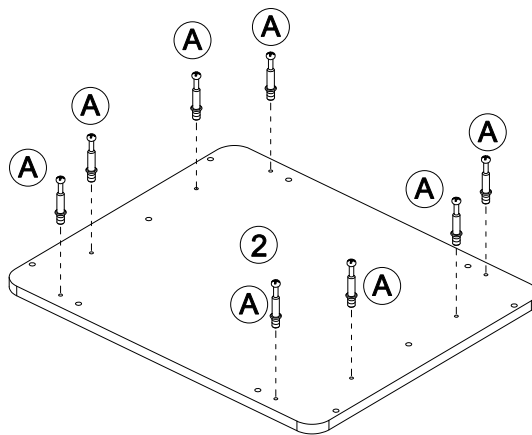
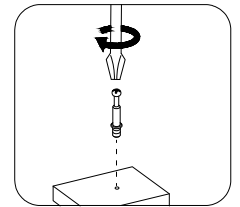
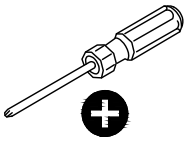
(A) x 28+1 	(B) x 28+1  $\phi 15 \times 10$	(C) x 2  CL CR DL DR	(E) x 18+1  M6x30	(F) x16+1  M3.5x12
(G) x12  M4x35	(H) x 2 	(I) x4  M3x12		



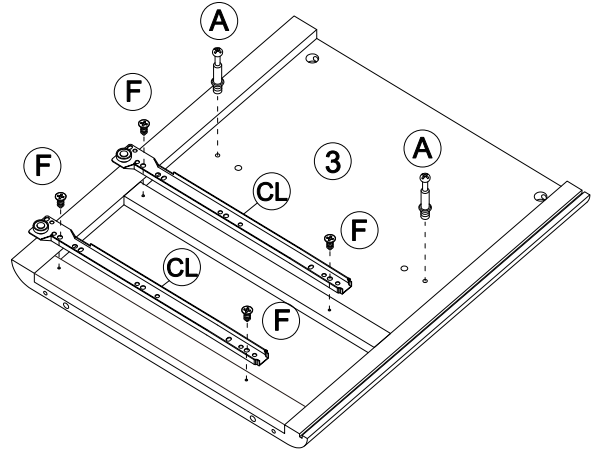
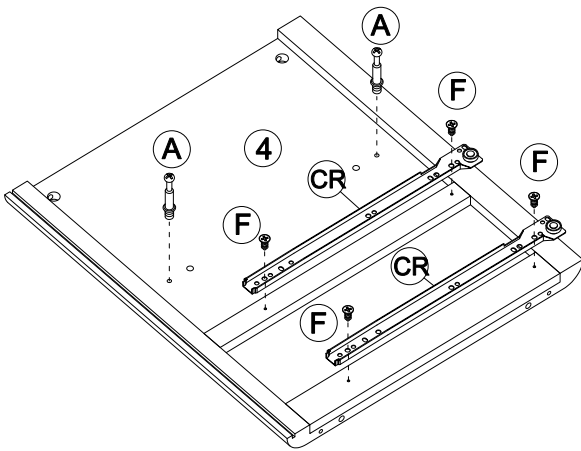
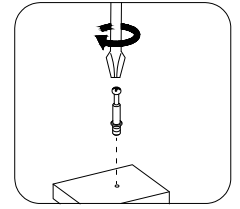
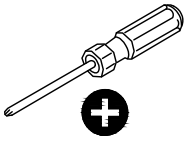
1



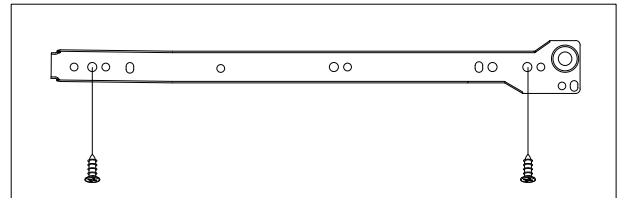
2



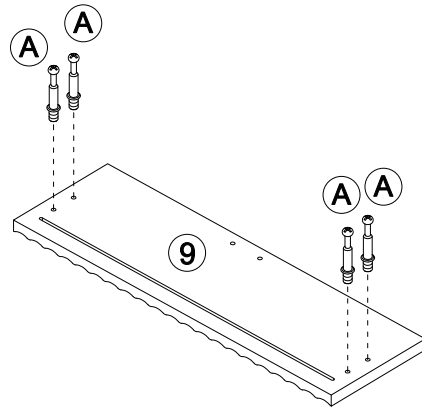
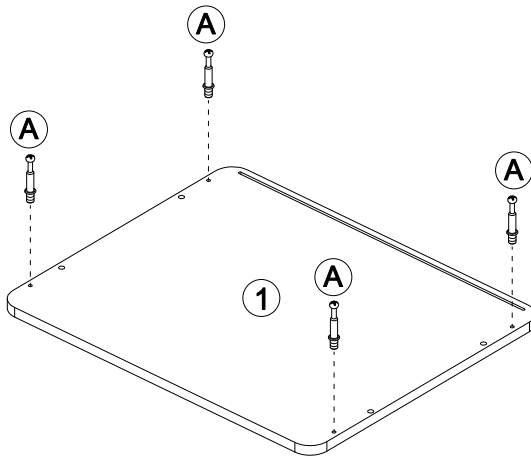
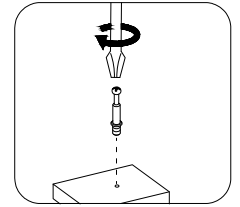
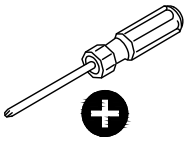
3



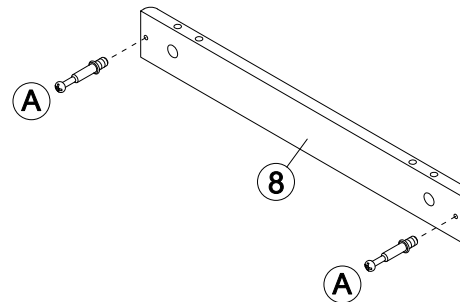
(A)	x 4	(F)	x 8
		 M3.5x12	



4



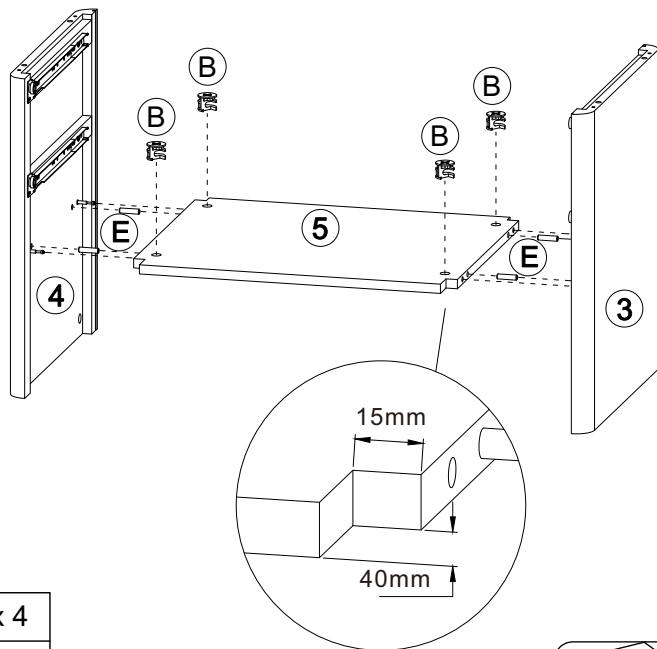
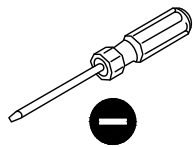
x 2



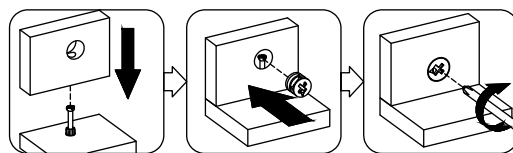
x 2

(A)	x 16

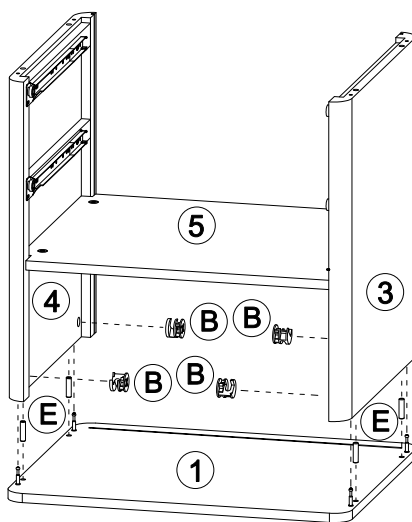
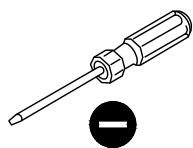
5



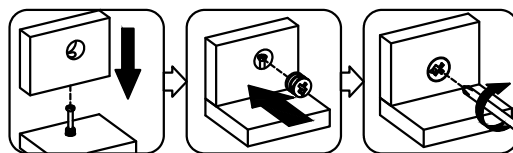
(B)	x 4	(E)	x 4
ø15x10		M6x30	



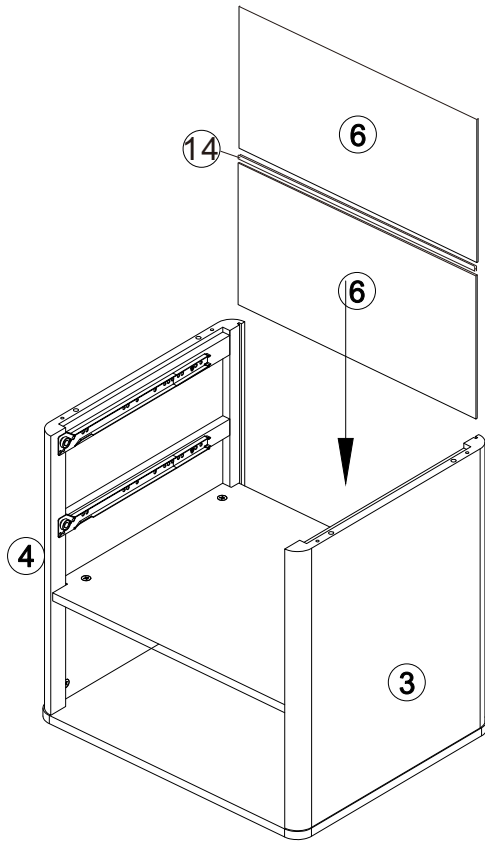
6



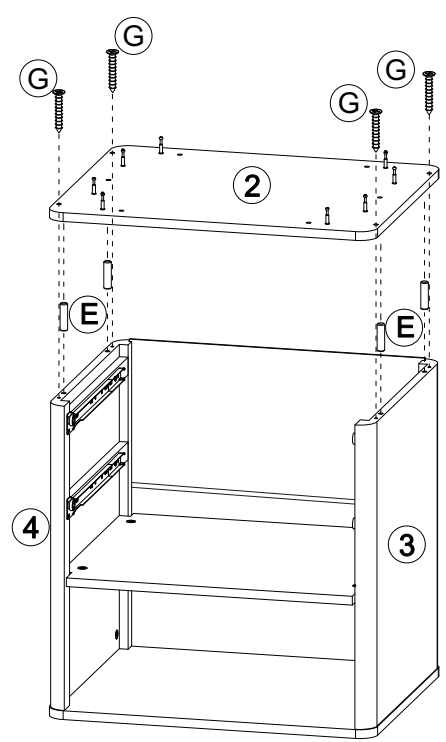
(B)	x 4	(E)	x 4
ø15x10		M6x30	

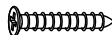



7

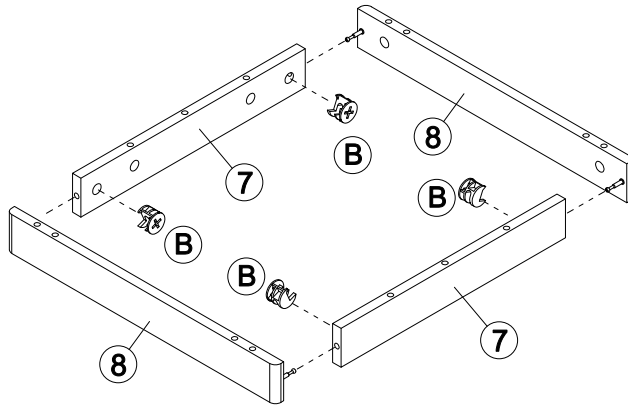
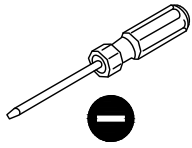


8

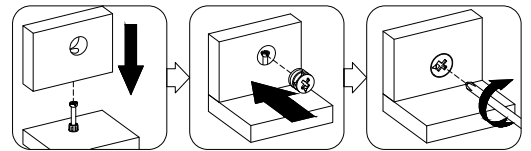


(G)	x 4	(E)	x 4
			
M4x35		M6x30	

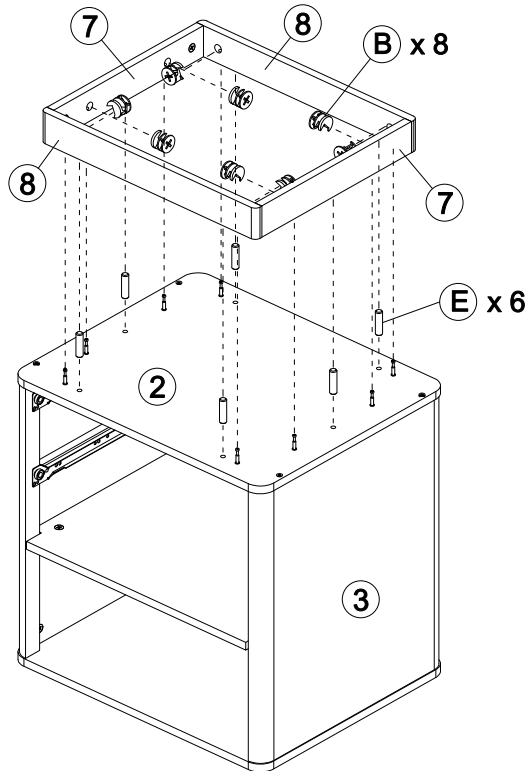
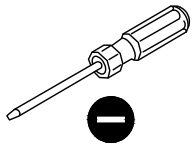
9



(B) x 4

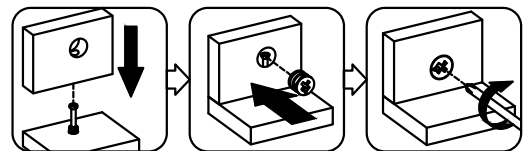
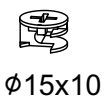


10

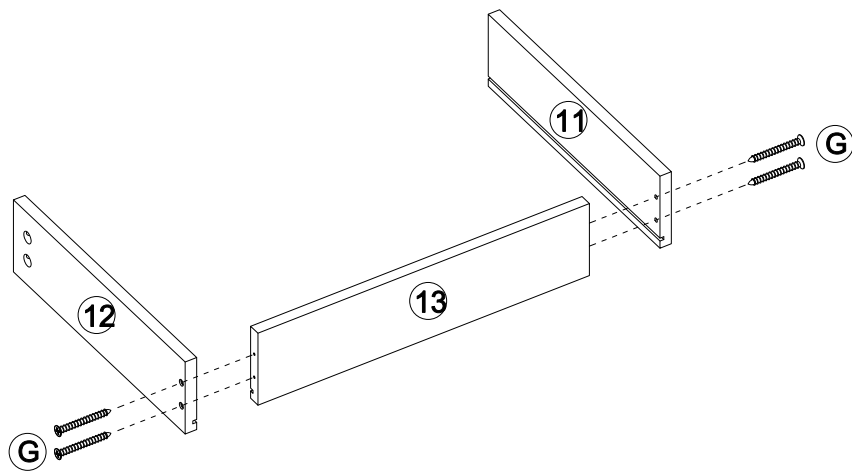
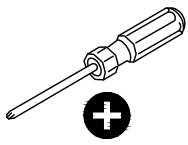


(B) x 8

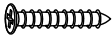
(E) x 6



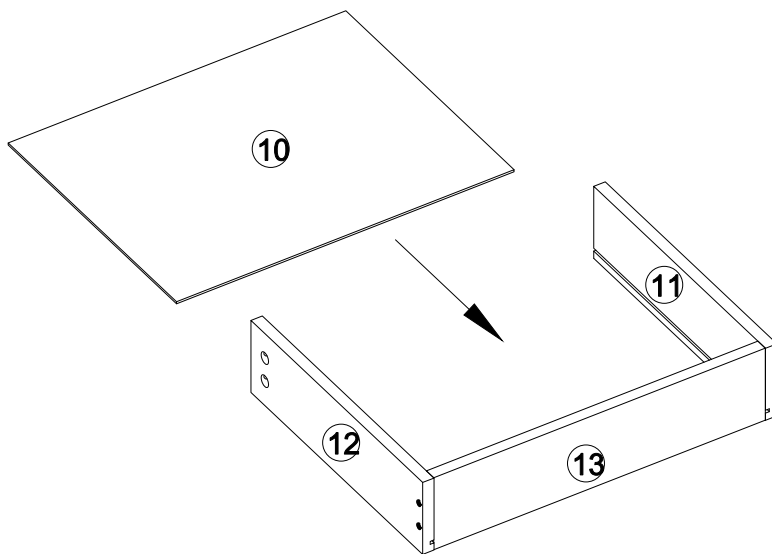
11



x 2

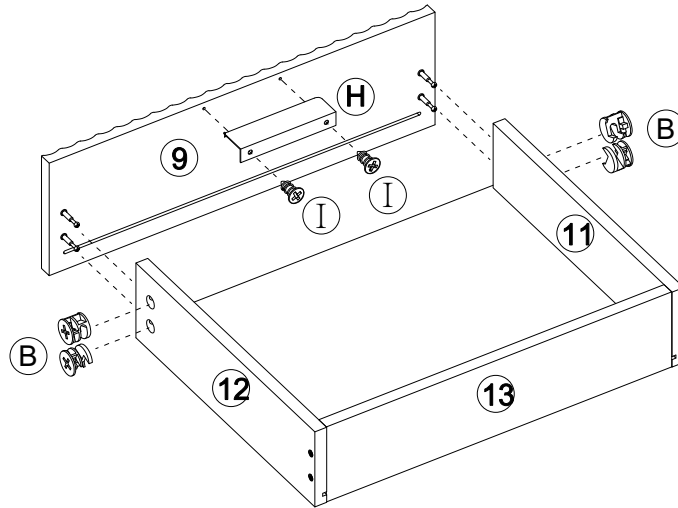
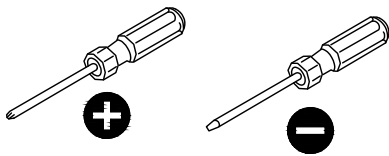
(G)	x 8
	
M4x35	

12



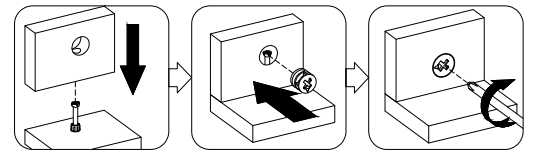
x 2

13

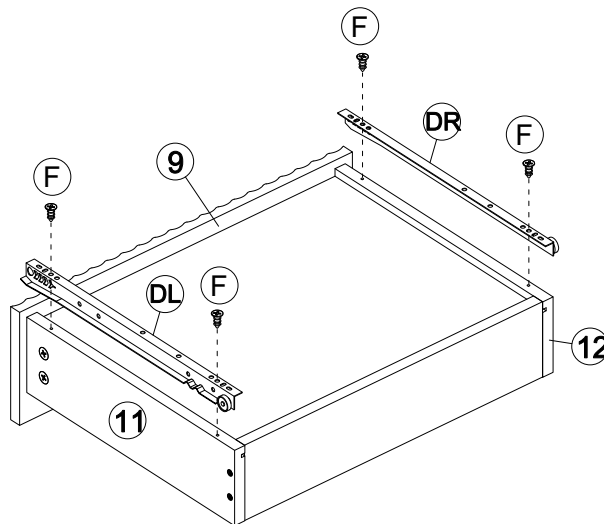
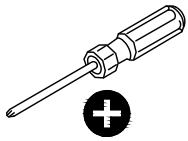


x 2

(B)	x 8	(I)	x 4	(H)	x 2
ø15x10		M3x12			

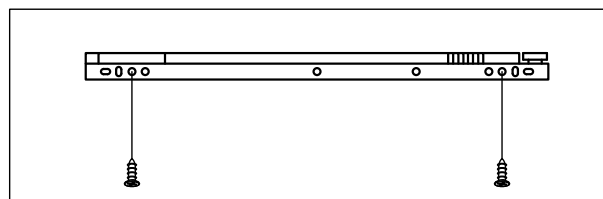


14

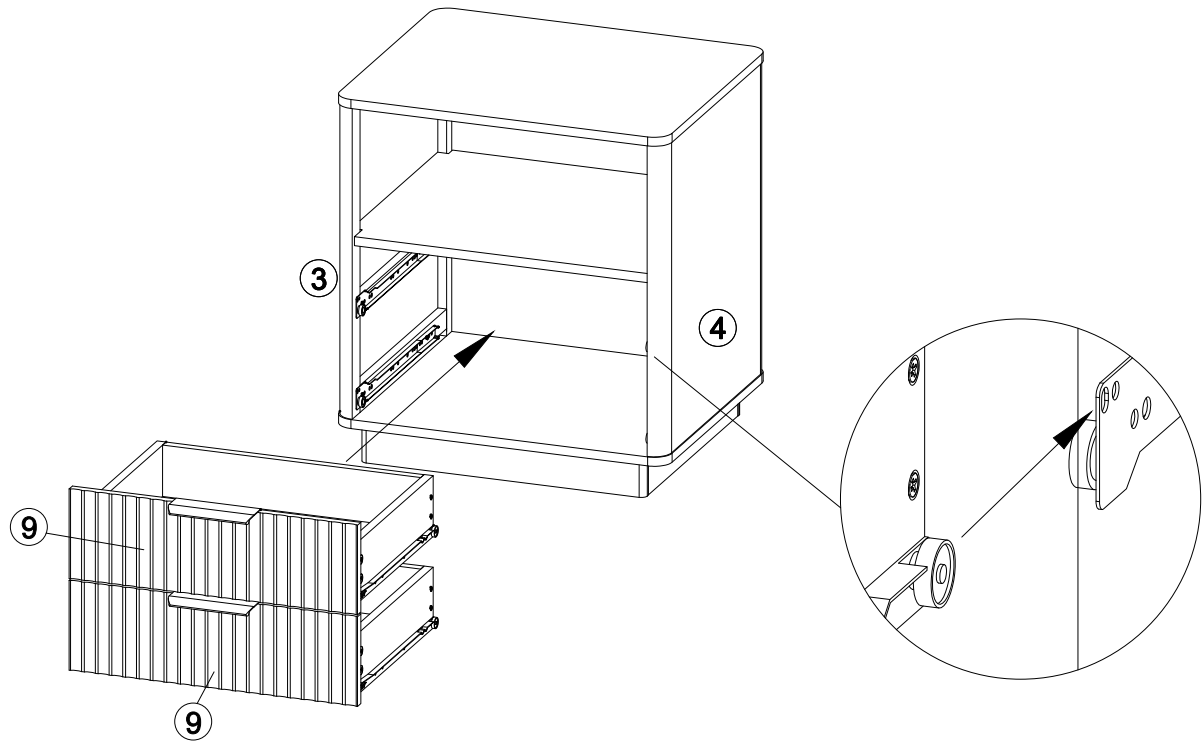


x 2

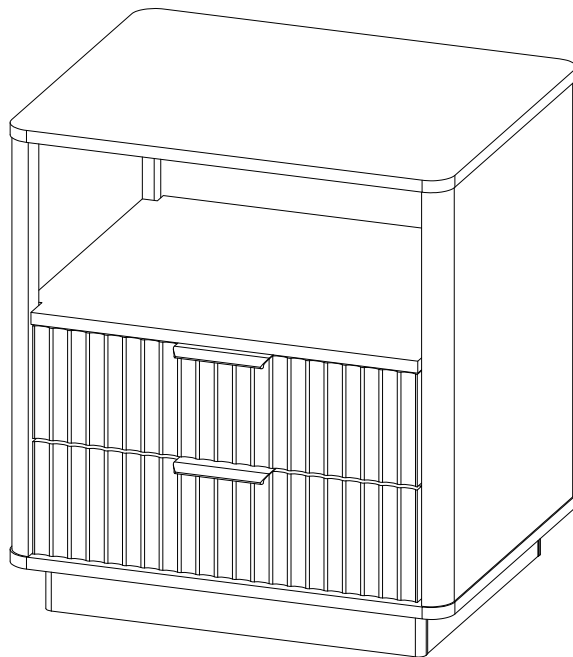
(F)	x 8
M3.5x12	



15



16



After-sales QA

Q1: What should I do if I find a missing part?

A1: If you find a missing part, please do not hesitate to contact us and tell us the specific part number. We are willing to replace the parts for you in time.

Q2: What if the parts are damaged during transportation?

A2: If you find any wear or damage during shipping, please contact us immediately. You can attach a photo of the affected part and provide the part number. We will send you replacement parts as soon as possible.

Q3: I have followed the installation instructions, but I am still experiencing problems. What should I do?

A3: If you have followed the instructions carefully but are still experiencing difficulties during the installation process, please feel free to contact us. Share relevant photos, which will help our professional team to better understand the situation. We will provide you with a solution within 24 hours.

Q4: If there is a quality problem with the product, who is responsible for the return and exchange postage?

A4: If there are any quality problems, we will take full responsibility and will gladly pay the return postage for exchange or refund.

Q5: What should you do if you think there is a color difference in the product you received?

A5: Products with wooden textures will exhibit different colors under different lighting conditions. This is normal. If you really don't like it, we are willing to provide you with a free return label. Thank you for your understanding!

We take every product seriously, so if you have any questions or are not satisfied with our products, please feel free to contact us. We will give a satisfactory solution within 24 hours.