

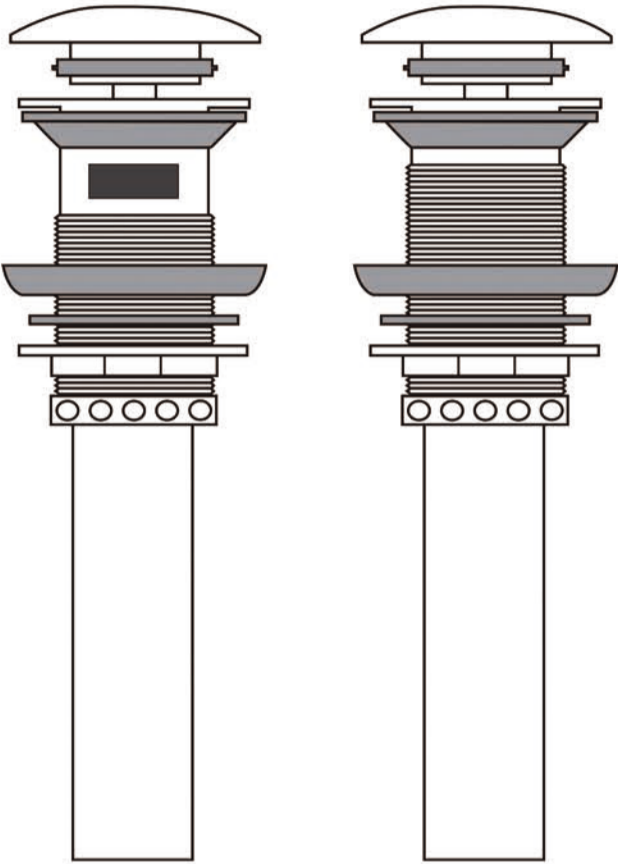
3, Installation Notes

1. This installation guide is subject to change without notice, please contact seller to request the most updated version of this installation guide.
2. Observe all local plumbing and building codes.
3. This is a general installation guideline, actual installation may vary. Consult a professional if necessary.
4. Product drawings in this installation guide is for illustration purpose only. Actual may vary by models.
5. Read and understand this installation guide completely.
6. It is recommended that this product be performed by trained and experienced omstallers.
7. Plumers putty is recommended when installing this product.

Instruction Manual

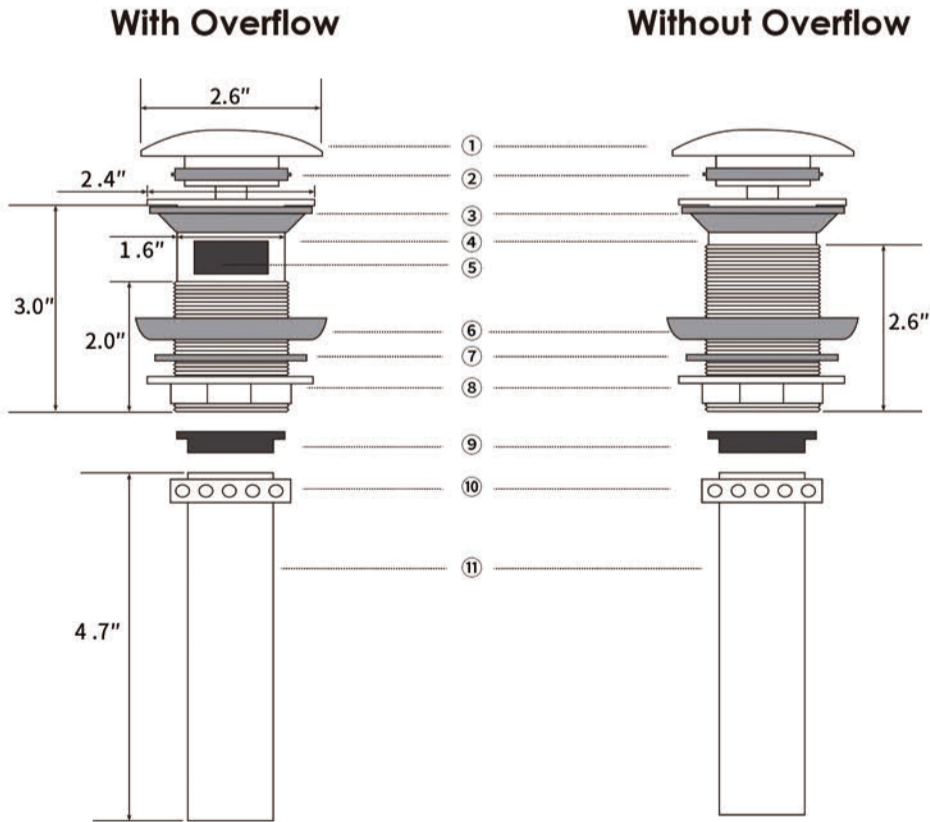
This manual is used for following items,

- | | | |
|-----------|-----------|------------|
| HL8018ACP | HL8018ABN | HL8018AORB |
| HL8018BCP | HL8018BBN | HL8018BORB |



With Overflow Without Overflow

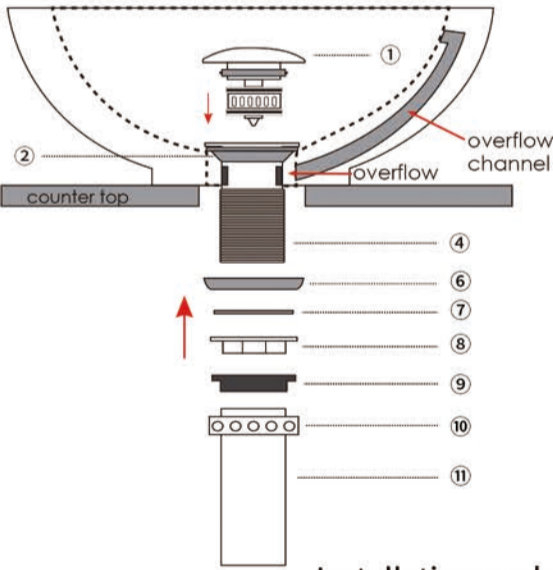
1, Installation Sketch



- | | |
|------------------|----------------------|
| ① Drain Cap | ⑦ Plastic Washer |
| ② Silicon Gasket | ⑧ Brass Locking Nut |
| ③ Silicon Gasket | ⑨ Rubber Gasket |
| ④ Drain Body | ⑩ Chrome Locking Nut |
| ⑤ Overflow | ⑪ Tail Pipe |
| ⑥ Silicon Gasket | |

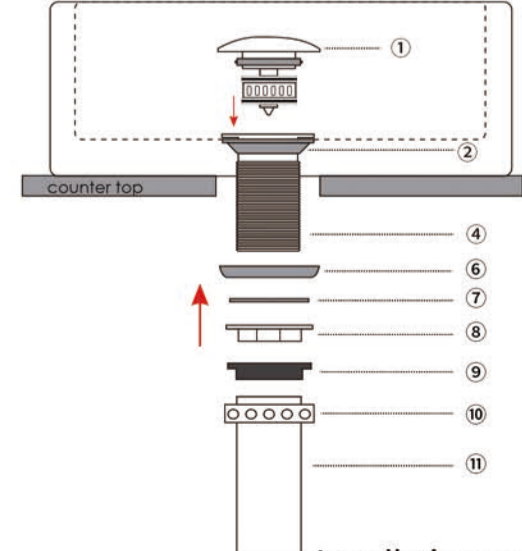
2, Installation Steps

Vessel Sink/Drain Installation(overflow)



Installation as shown in the figure

Vessel Sink/Drain Installation(non-overflow)



Installation as shown in the figure