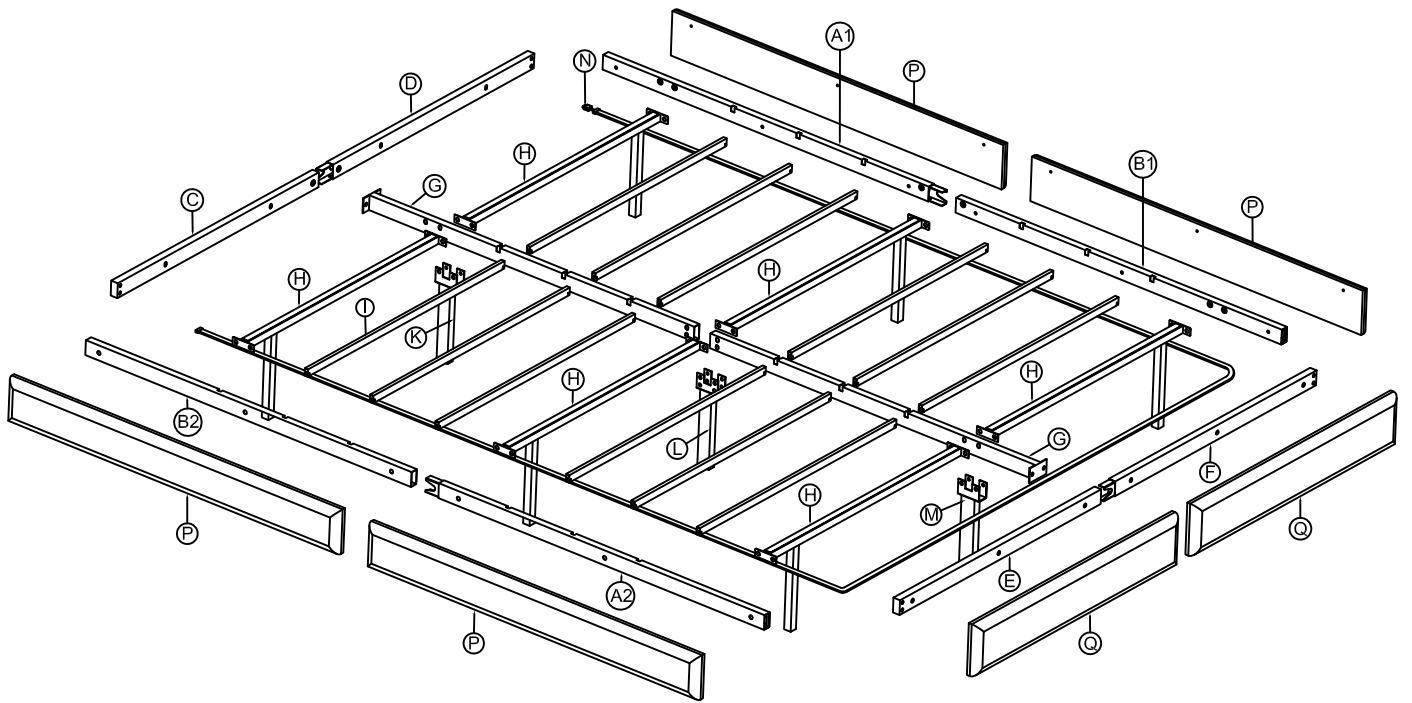


**Model:C361-K-BK+FH, C361-Q-BK+FH, C361-F-BK+FH**

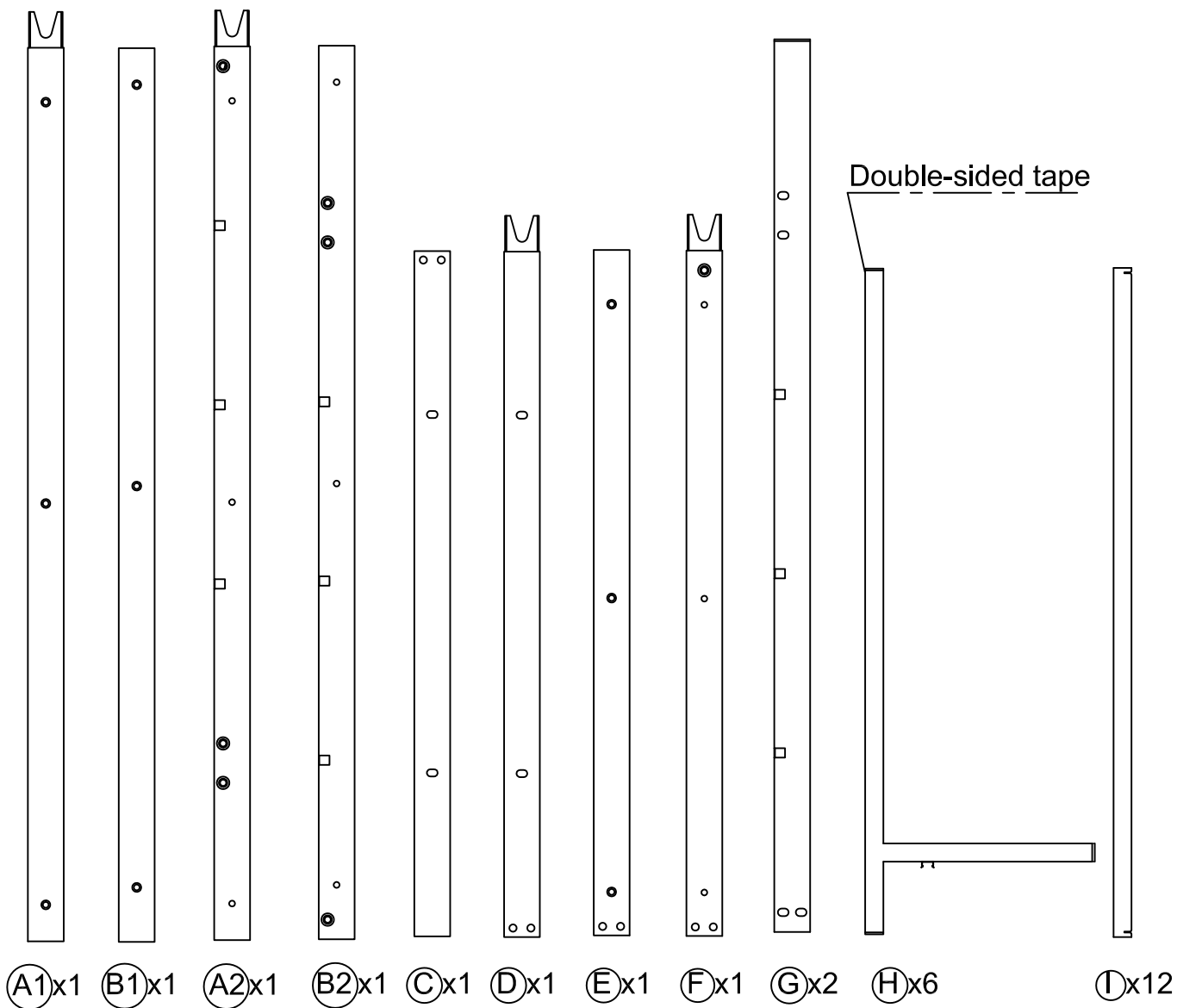
---

## **PRODUCT GUIDE AND INSTALLATION MANUAL**

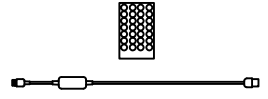
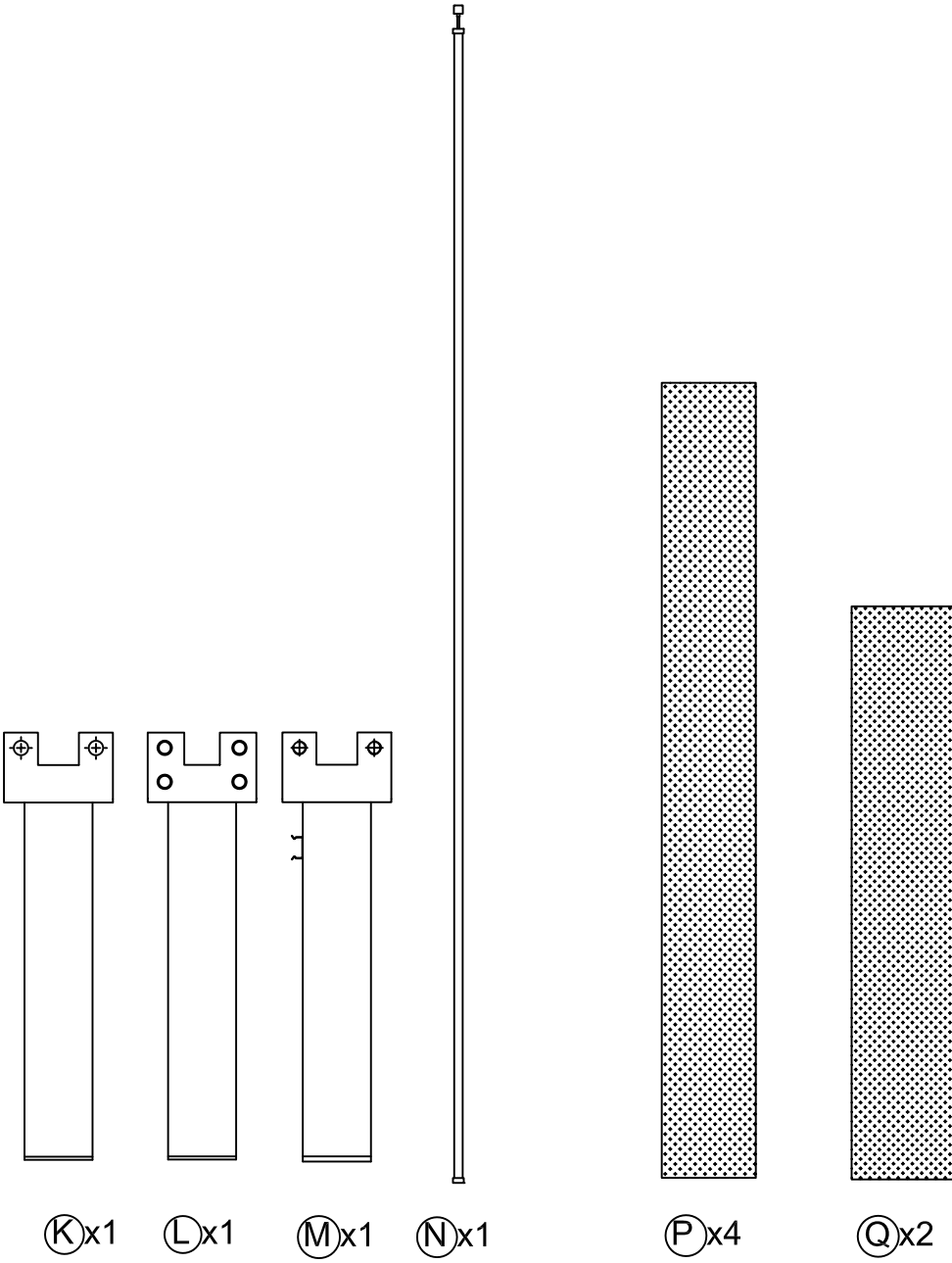




# Parts List:



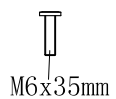
# Parts List:



**U1**x1



**U2**x1



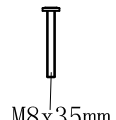
M6x35mm

**T1**x18



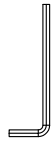
M8x15mm

**Y1**x16



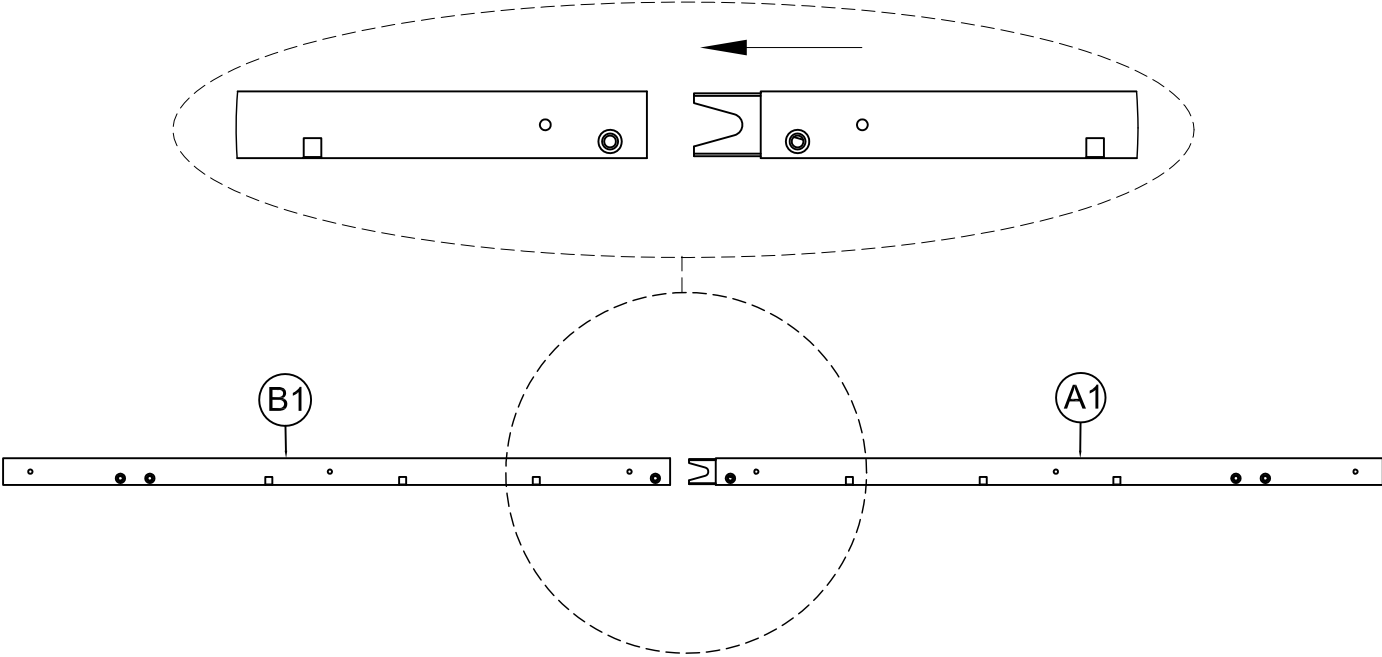
M8x35mm

**Y2**x16

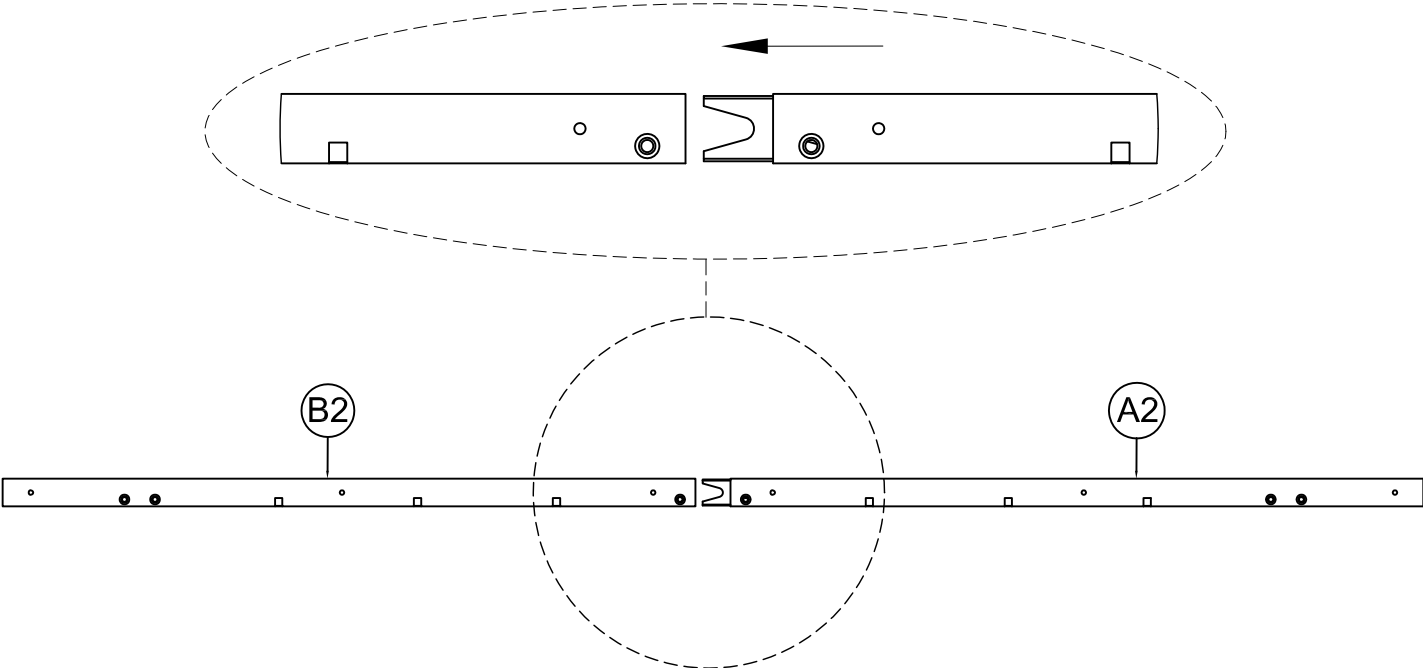


**W**x1

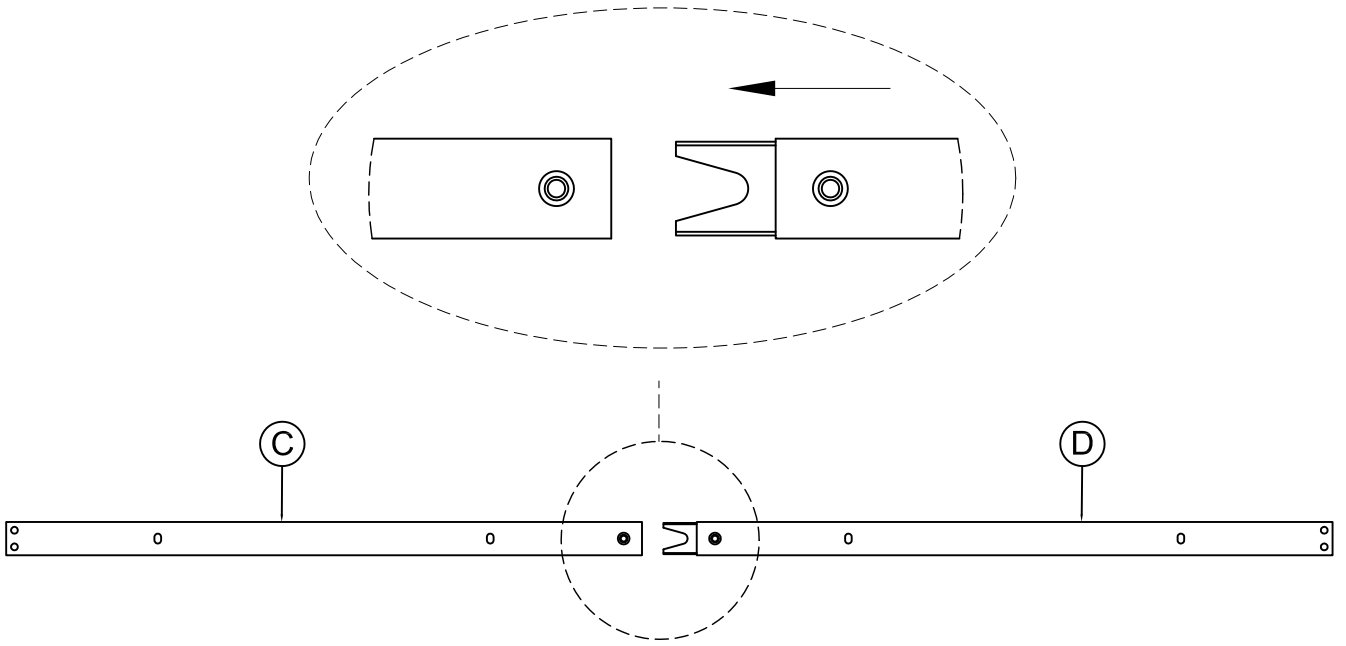
# Step 1



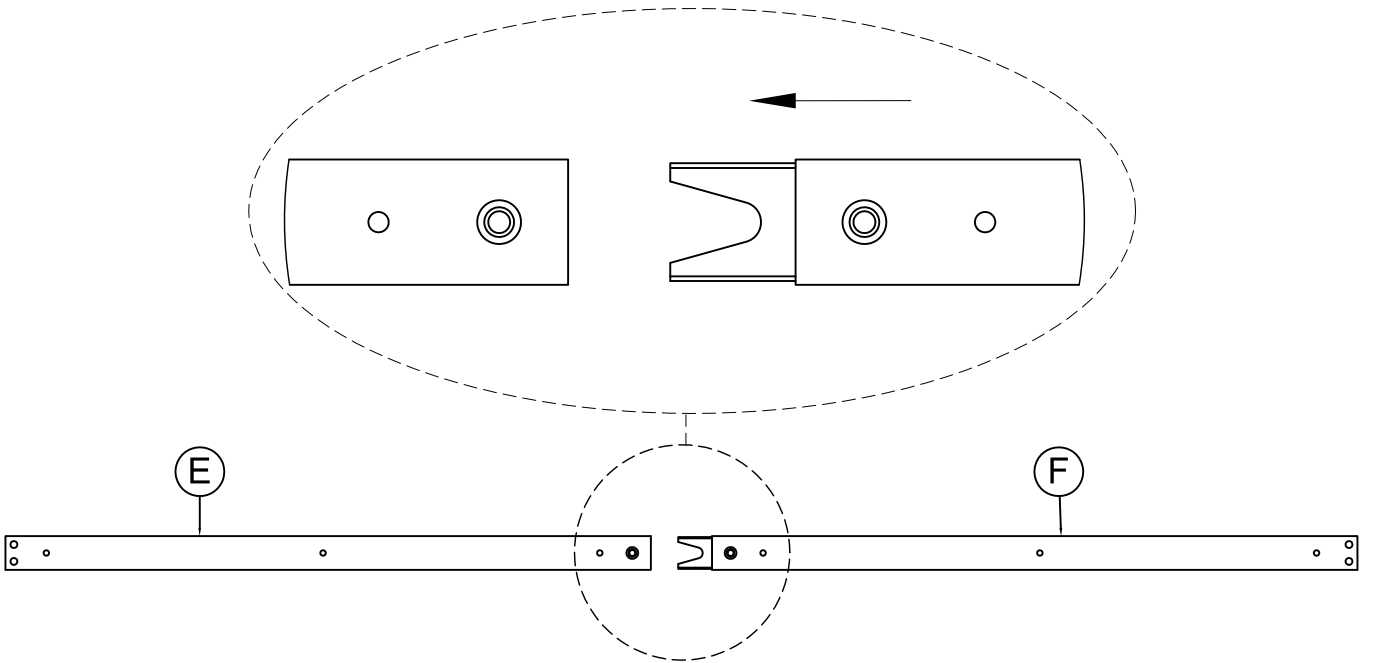
# Step 2



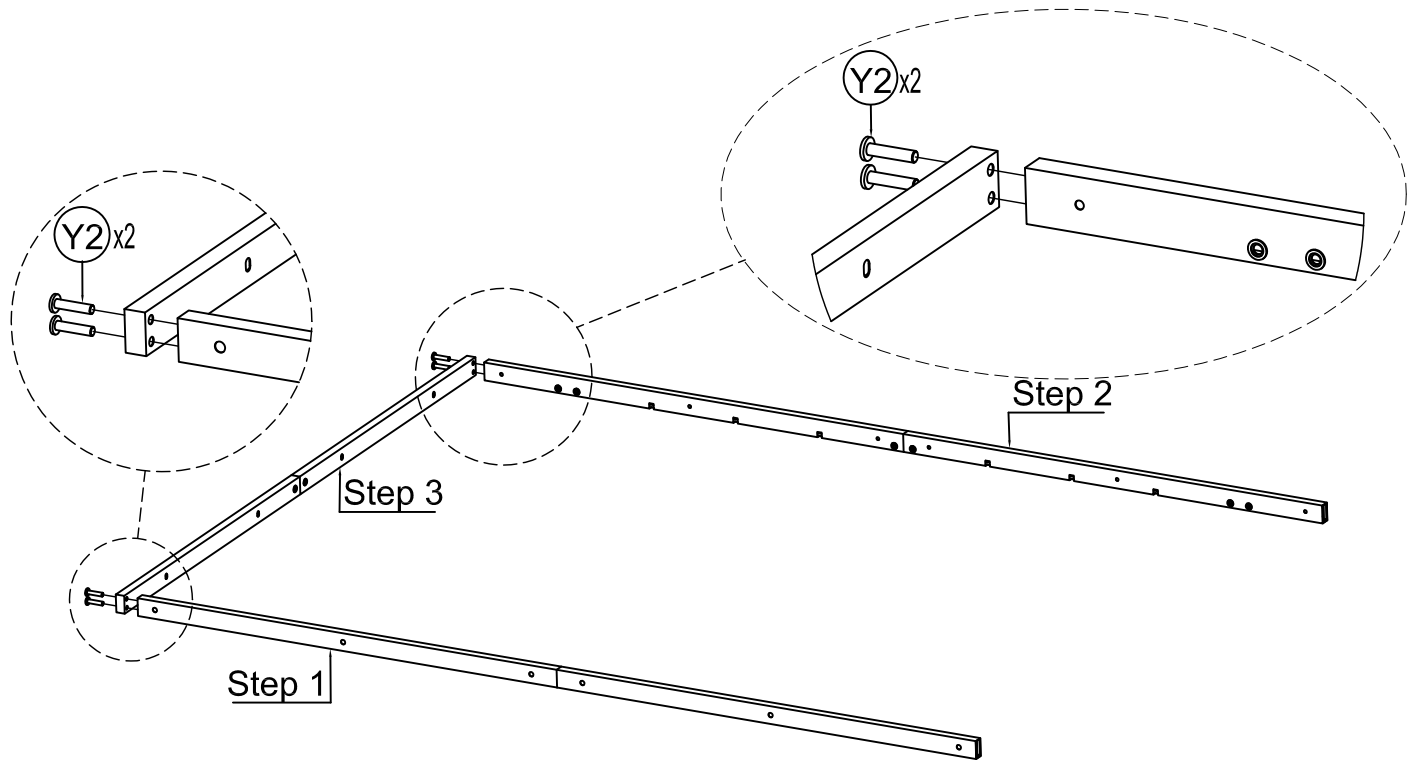
# Step 3



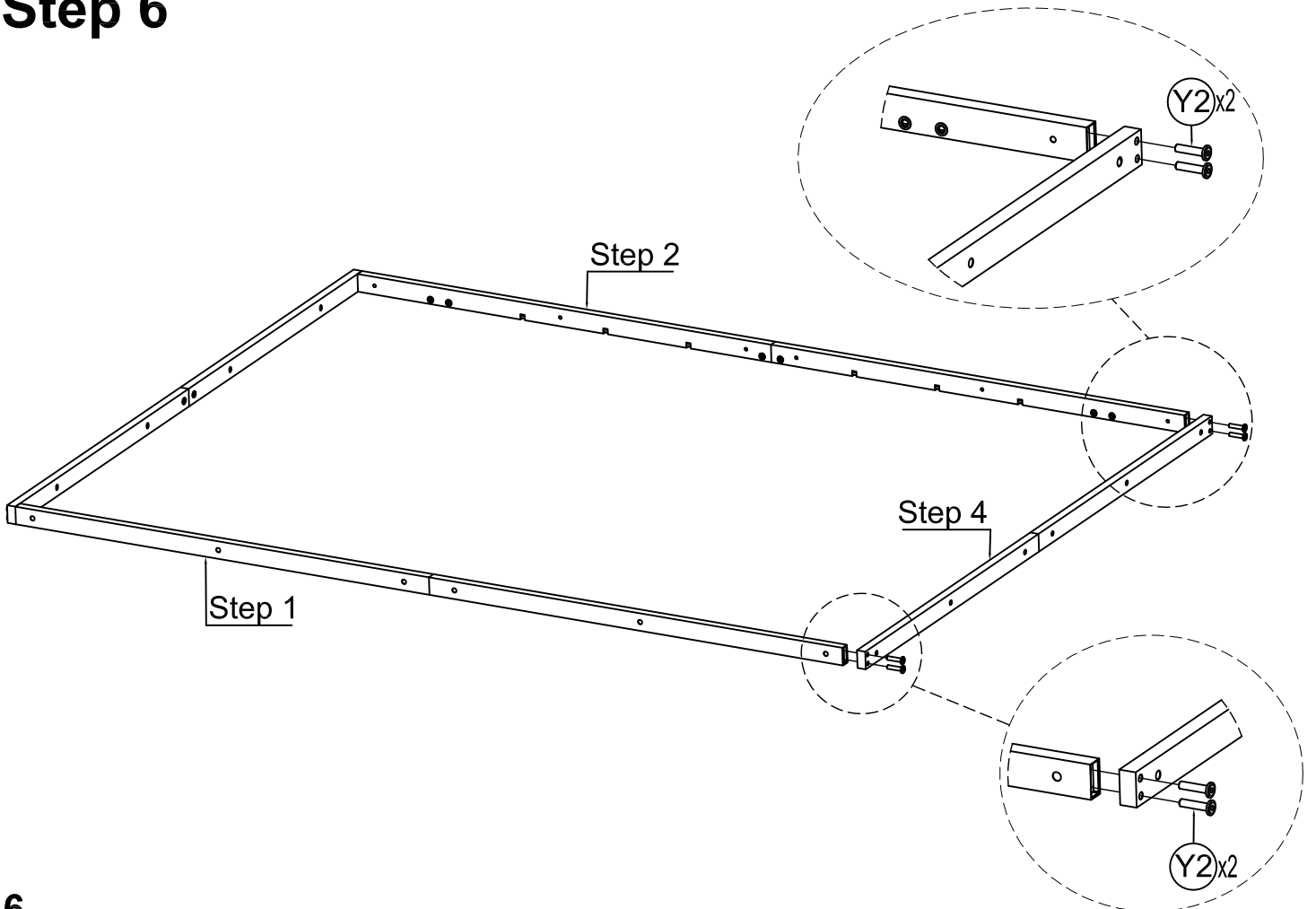
# Step 4



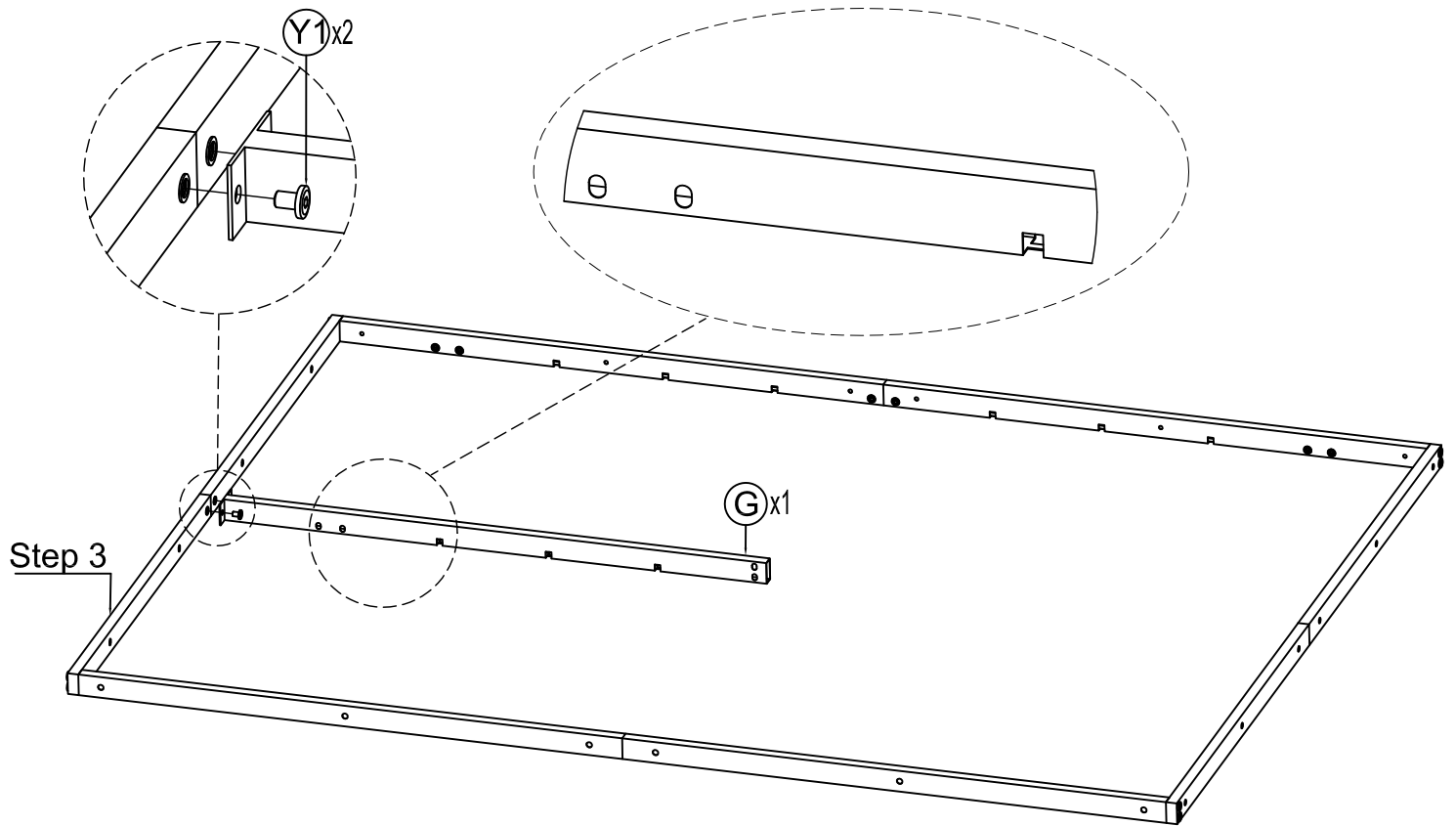
# Step 5



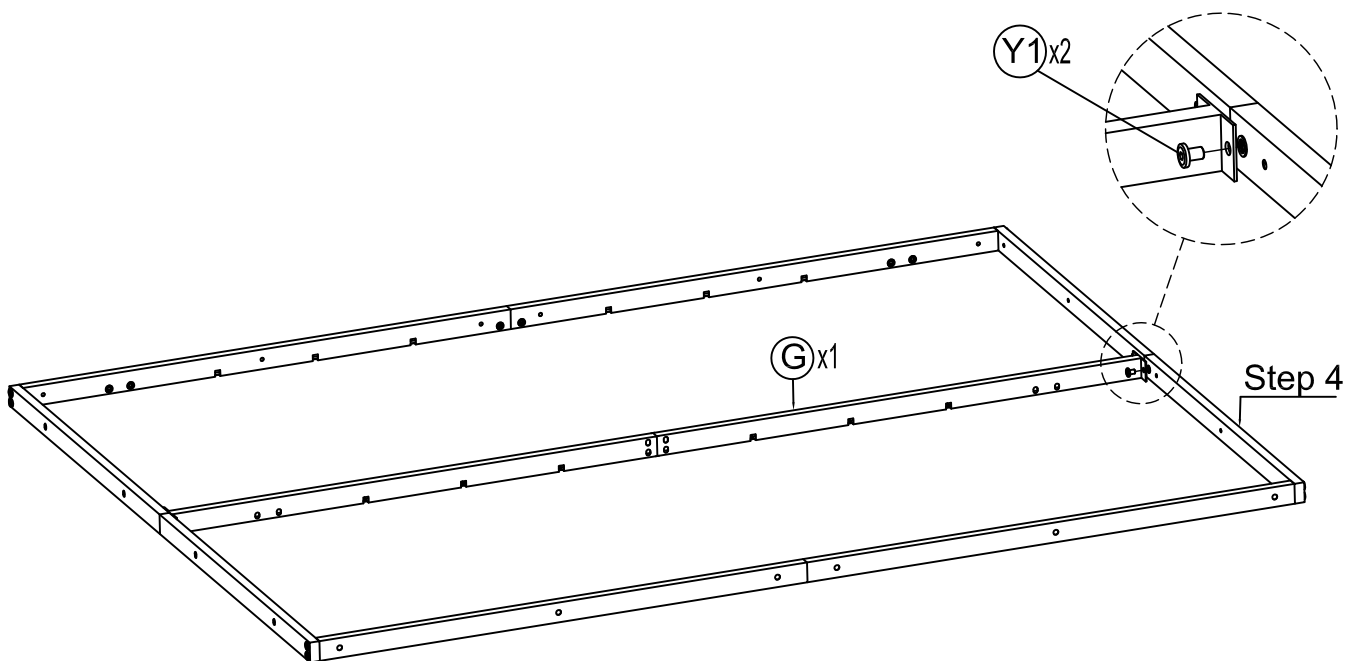
# Step 6



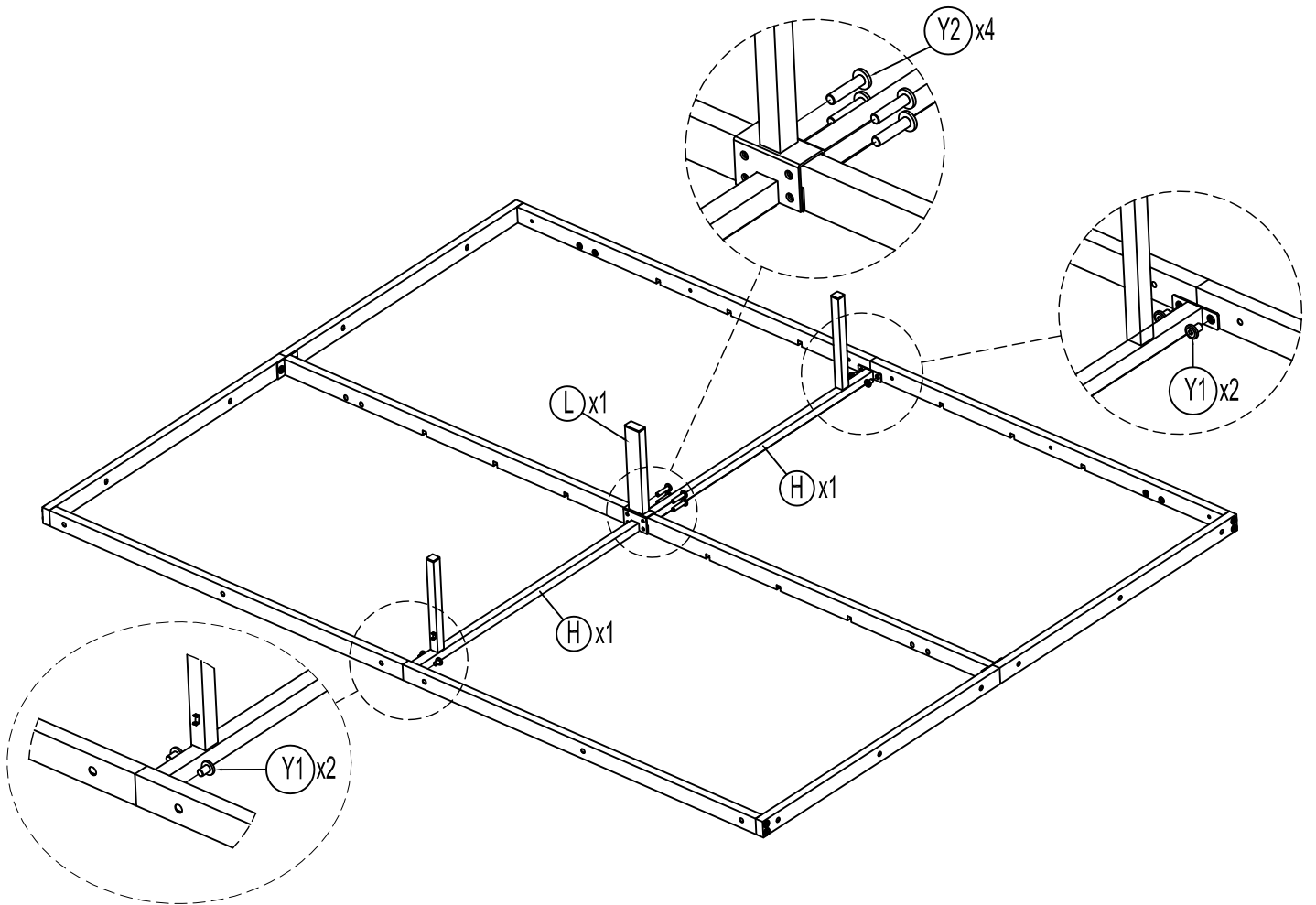
# Step 7



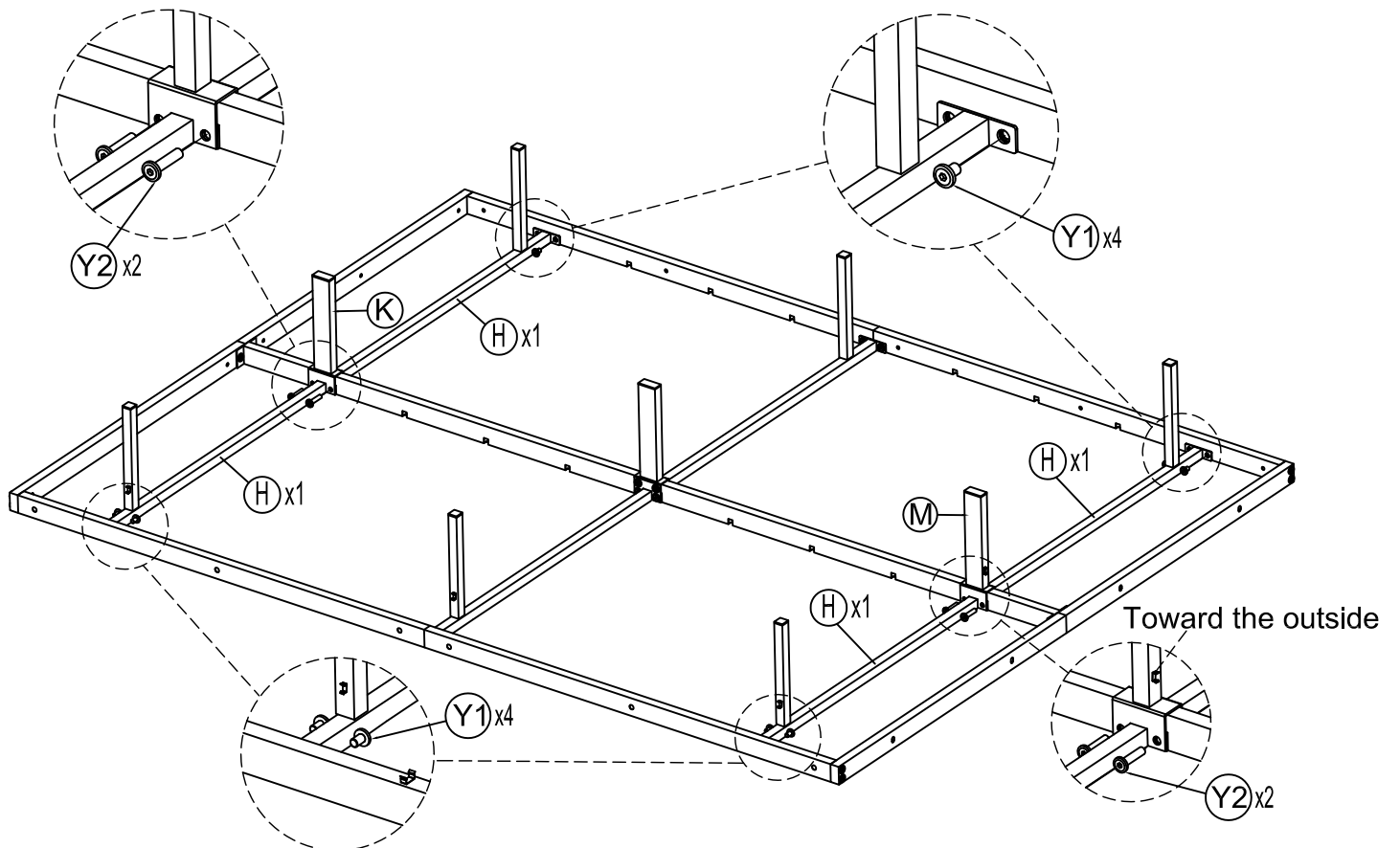
# Step 8



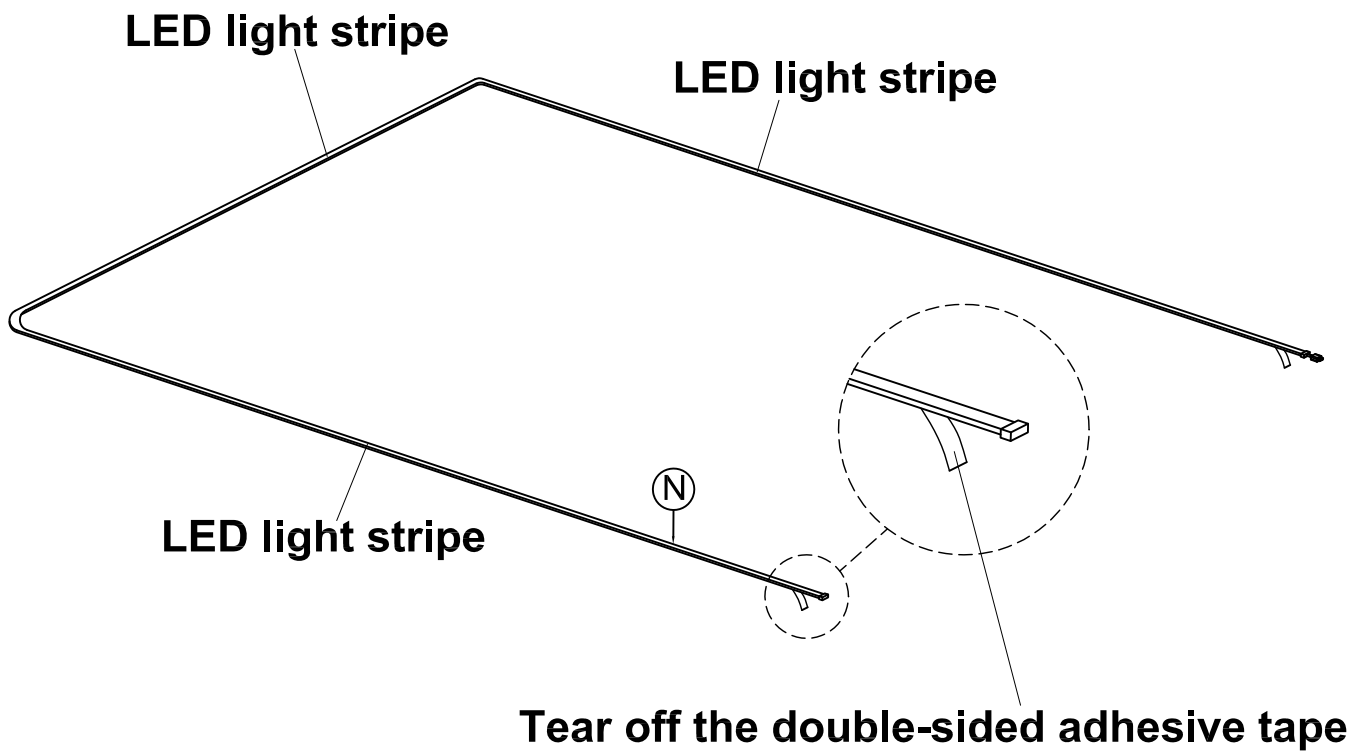
# Step 9



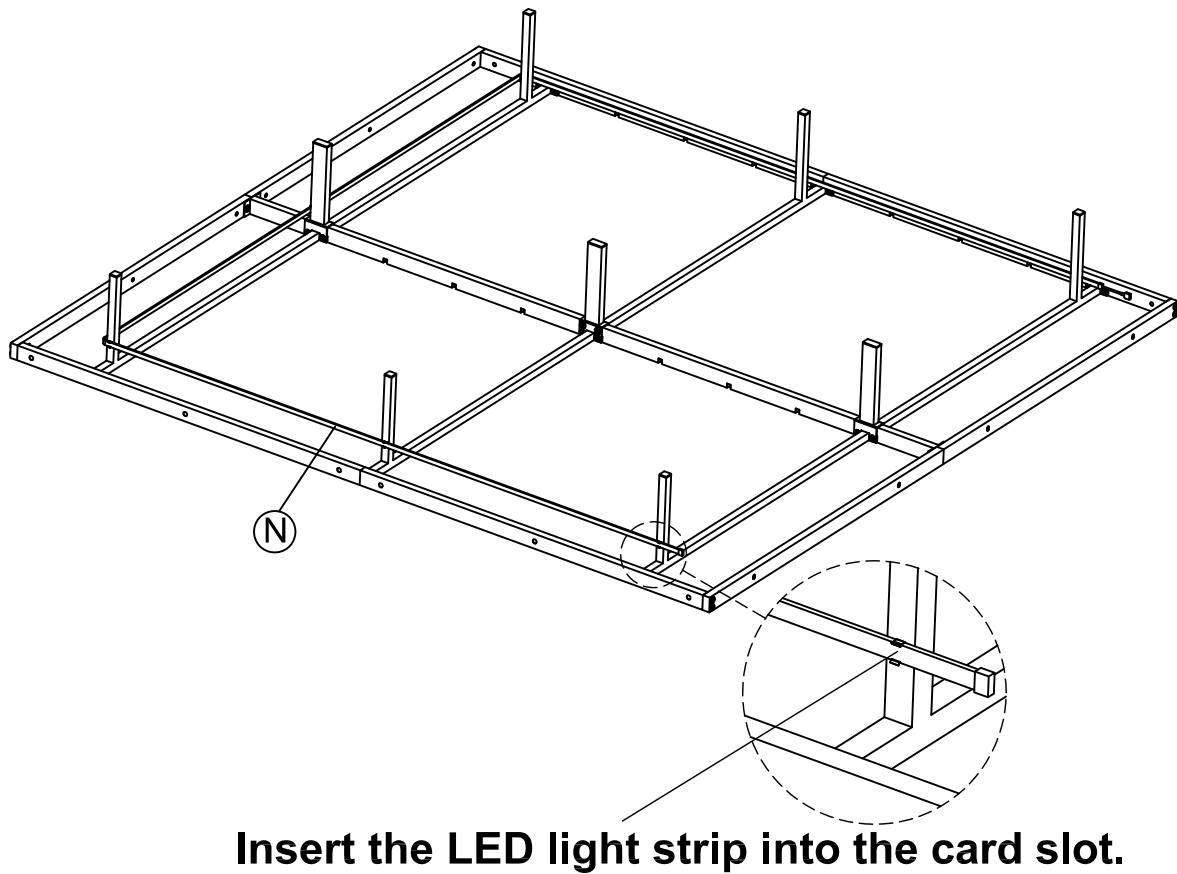
# Step 10



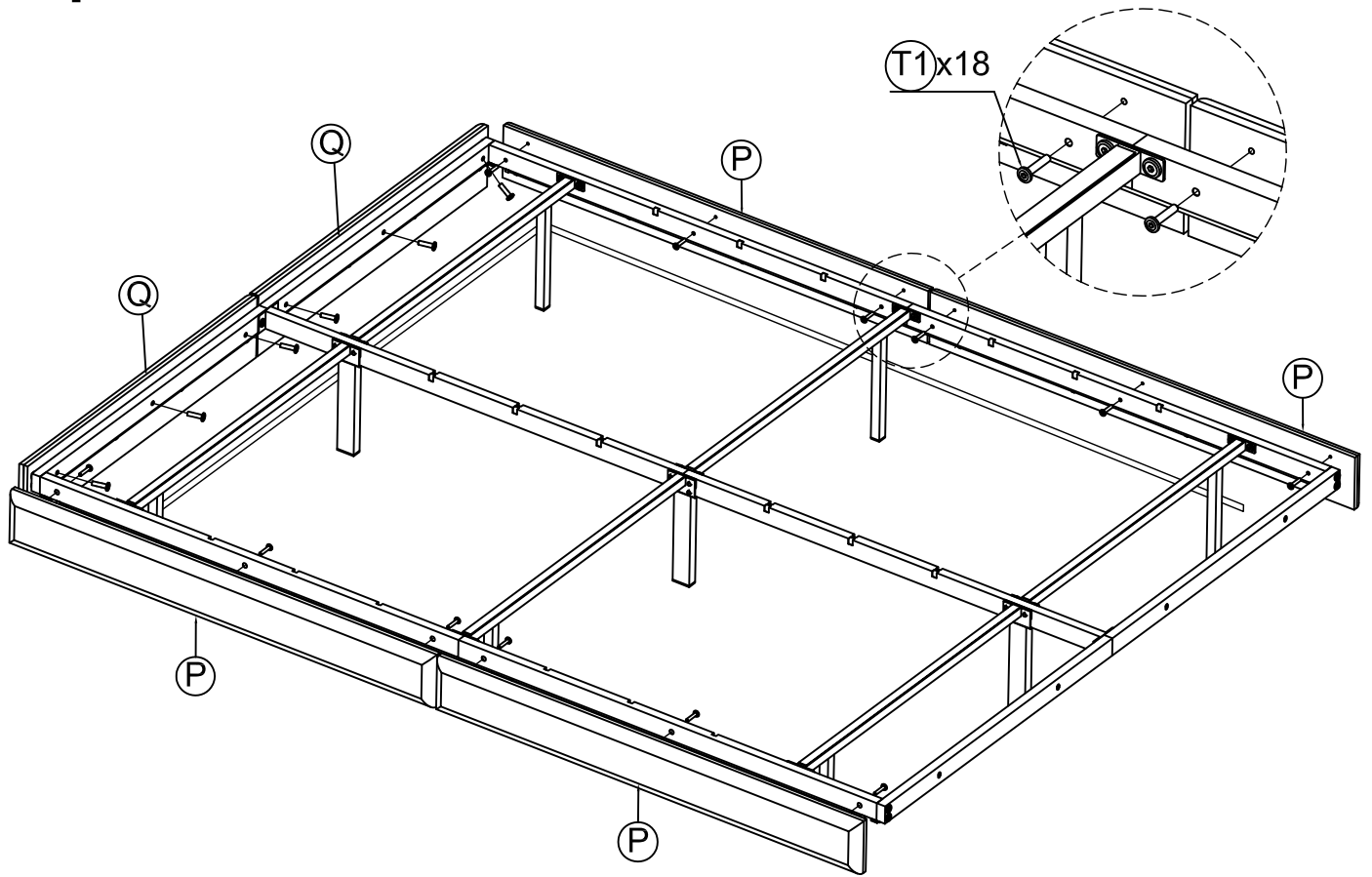
## Step 11



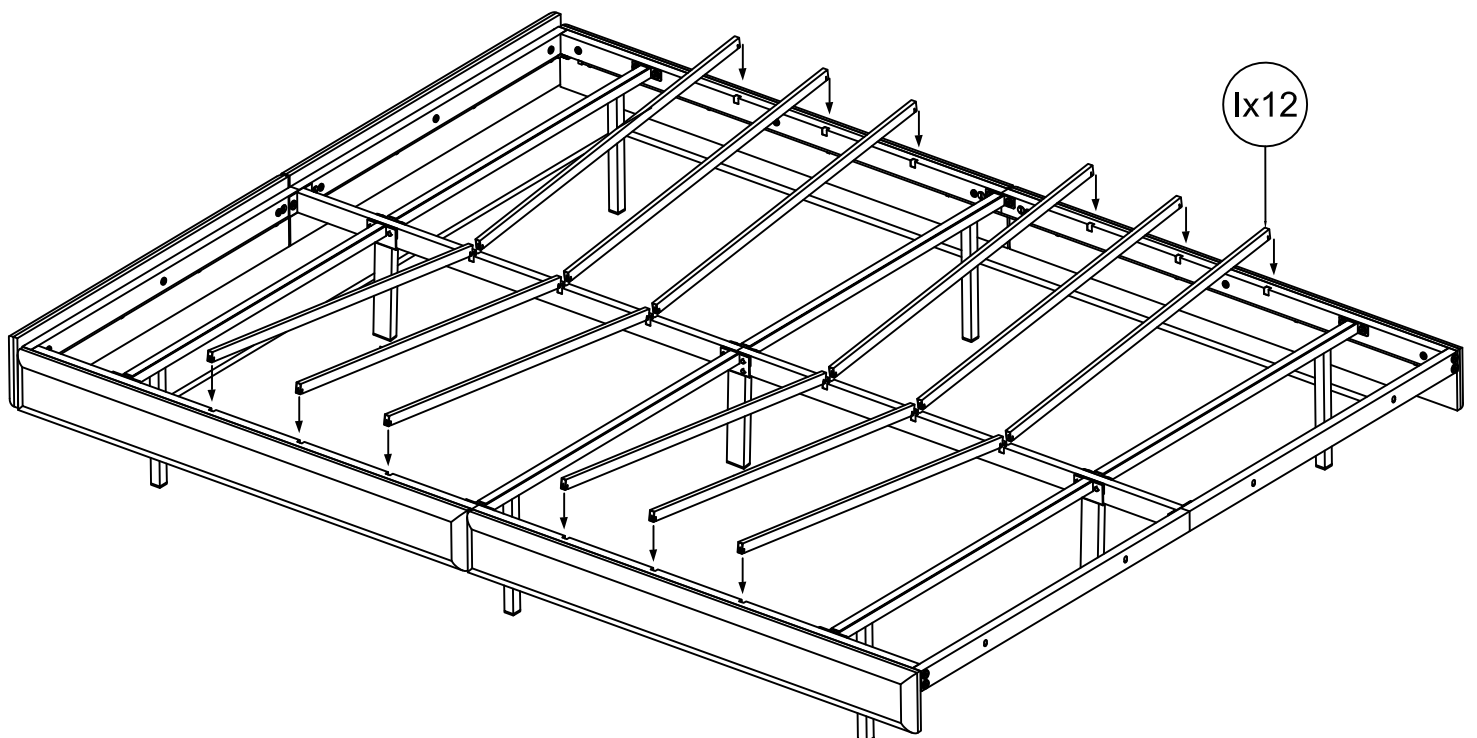
## Step 12



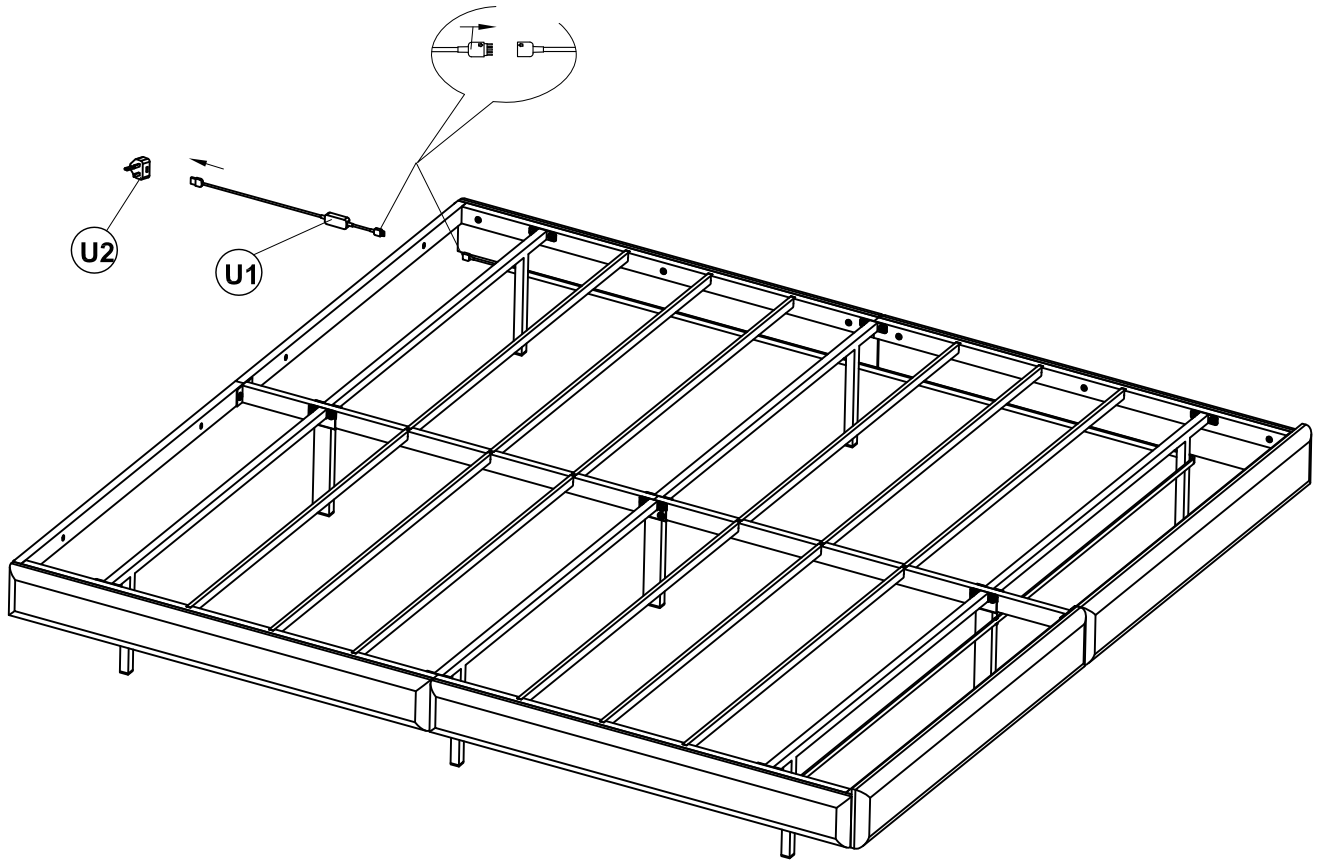
## Step 13



## Step 14



# Step 15



# REMOTE CONTROLLER

