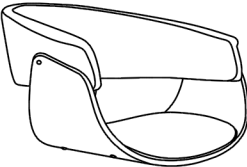

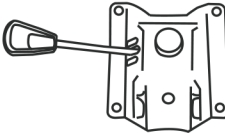

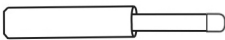
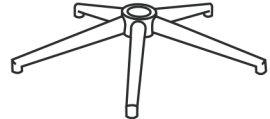


# ASSEMBLING INSTRUCTION

Ax1 	Fx4  M6*16mm
Bx1 	Gx1  M6
Cx1 	
Dx1 	
Ex5 