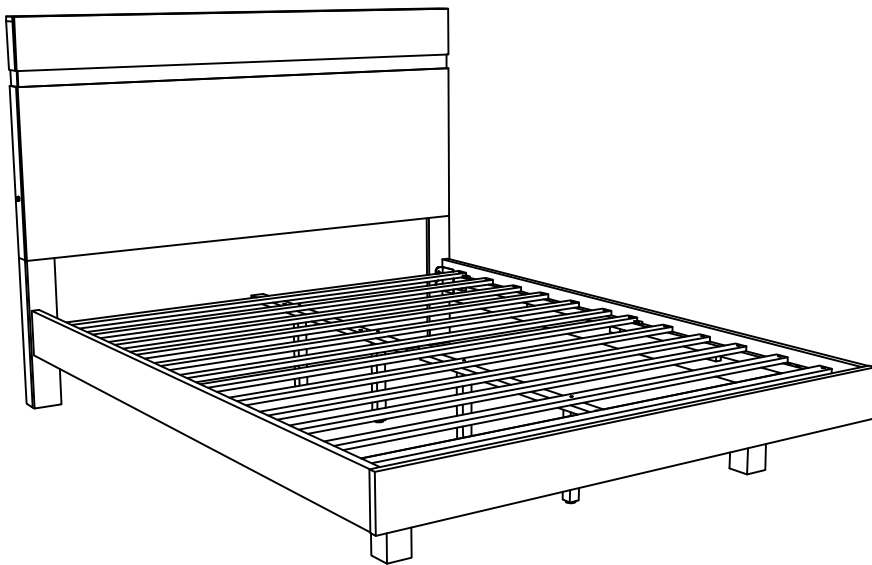


ASSEMBLY INSTRUCTIONS



TOOLS REQUIRED



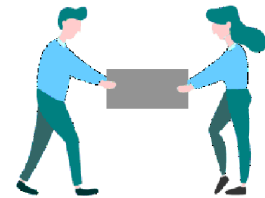
Allen Wrench

(Included)



Phillips
Screwdriver

(Not Included)



2 - Persons
Recommended

ASSEMBLY RATING



EASY ————— DIFFICULT

The Assembly Rating is a 5-point system showing the level of effort needed to assemble a specific product.



CHECK BEFORE STARTING



Are you missing anything?

Double-check all parts, hardware and accessories listed on Page 6 are accounted for.



Check out our Quick Tips!

We recommend reviewing the pre-assembly handouts. Even experts need a refresher now and then!



Should we send any replacements?

Are there any irregularities or flaws in the parts? We can send replacements!



Prep Time!

Please review the assembly instructions and all diagrams prior to assembling. Set up your workspace by laying the parts and hardware out separately, then begin!

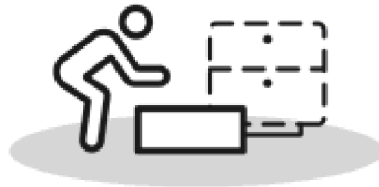
PRE ASSEMBLY INTRODUCTION

We understand building ready-to-assemble furniture can be a challenging experience for some. To help avoid confusion, we have provided some helpful tips that may speed up the process.



Teamwork

ALWAYS have at least two people to help with transporting and assembling the product to avoid potential injury and/or damage.



Suitable Location

Assembling near the area of the intended location is highly recommended.



Sufficient Space

Make sure you have enough space to move around during the assembly.



Avoid Scratches

Use cardboard, blankets or a carpeted area while assembling furniture to prevent scratches.



Flat Surface

Make sure the furniture rests on a flat and level surface with each leg evenly touching the floor.

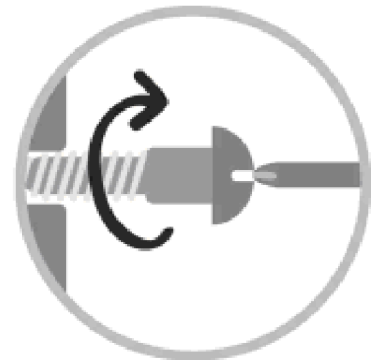
ASSEMBLY AND CARE ADVICE



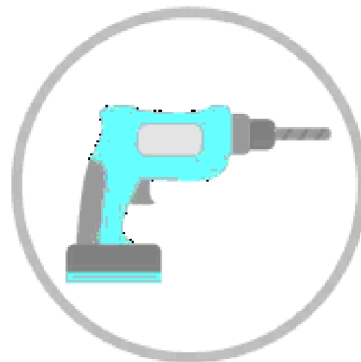
FAILURE TO FOLLOW THE GUIDELINES BELOW MAY RESULT IN INJURY AND/OR PROPERTY DAMAGE.



Position each part correctly and insert screws or bolts into their respective holes.



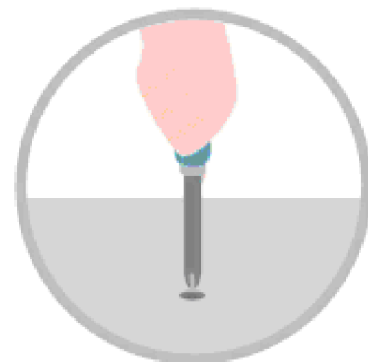
Turn clockwise to tighten and only tighten when step is completed or when instructed to do so.



Use the appropriate hand tools or power tools for assembly. Select steps, such as tightening screws and/or bolts, may require hand tools to avoid causing damage during assembly.



Save the instructions and store any supplied tools for later maintenance.



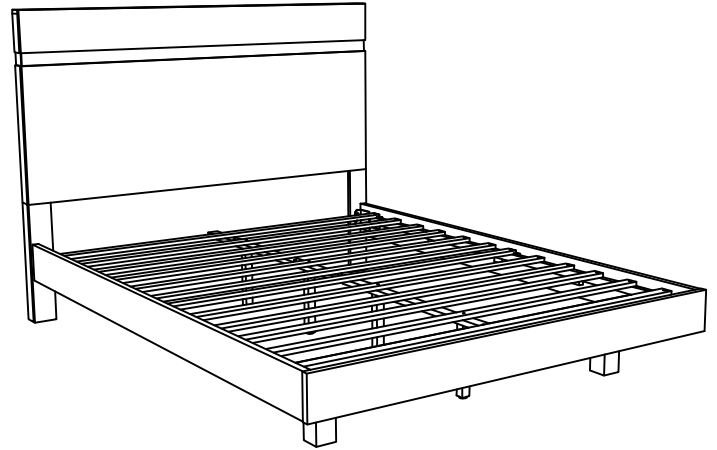
After two weeks, check and tighten any loose hardware and repeat again every six months thereafter.

IT IS THE USER'S RESPONSIBILITY TO MAINTAIN THE FURNITURE. THE HARDWARE MAY LOOSEN OVER TIME AND MAY CAUSE THE FURNITURE TO BE WOBBLY AND UNABLE TO SUPPORT ITS INTENDED WEIGHT CAPACITY. THIS MAY LEAD TO COLLAPSE AND MAY CAUSE SERIOUS INJURY.



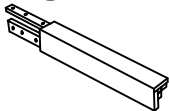
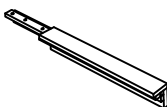







QUEEN SIZE BED



- Please keep instructions for future reference.
- Check the quantity and irregularity of parts and hardware before you start.



PARTS

<p>① 1pc</p>  <p>Headboard</p>	<p>② 1pc</p>  <p>Footboard</p>	<p>③ 1pc</p>  <p>Headboard Leg (L)</p>	<p>④ 1pc</p>  <p>Headboard Leg (R)</p>	<p>⑤ 1pc</p>  <p>Side Rail (L)</p>	<p>⑥ 1pc</p>  <p>Side Rail (R)</p>
<p>⑦ 2pcs</p>  <p>Side Rails Leg</p>	<p>⑧ 1pc</p>  <p>Side Rails Leg Support</p>	<p>⑨ 12pcs</p>  <p>Bed Slat -1545 x 45 x 18mm</p>	<p>⑩ 2pcs</p>  <p>Center Slats -983 x 45 x 18mm</p>	<p>⑪ 4pcs</p>  <p>Bed Slat Support -248 x 30 x 30mm</p>	

HARDWARE

HARDWARE INSIDE HEADBOARD

Ⓐ 12pcs



CSK m4 x 25mm

HARDWARE INSIDE SIDE RAILS

Ⓑ 1pc



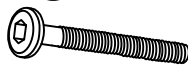
Allen Key M4

Ⓒ 1pc



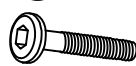
Allen Key M5

Ⓓ 6pcs



Bolt 1/4" x 2 9/8"

Ⓔ 4pcs



Bolt 1/4" x 2"

Ⓕ 6pcs



Lock washer

Ⓖ 6pcs



Flat washer

Ⓗ 4pcs



Barrel Nut

Ⓘ 24pcs



CSK m4 x 32mm

Ⓙ 4pcs



CSK m4 x 50mm

Ⓚ 2pcs



CSK m4 x 16mm

Ⓛ 1pc




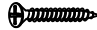

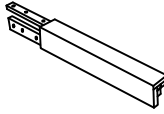
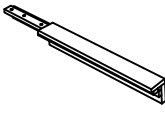
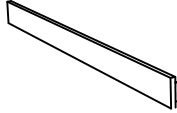


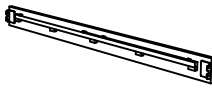









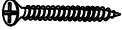


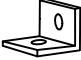


L-Bracket

Ⓜ 1pc



Adapter

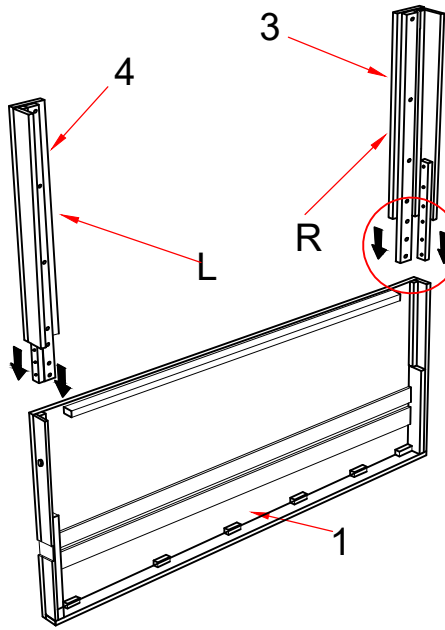
packed in 2 cartons

Carton	Designation			Hardware
	Queen Size Bed HB, FB & HB Legs	1	 <div style="text-align: right;">X 1</div>	 A x 12pcs
2		 <div style="text-align: right;">X 1</div>		
3		 <div style="text-align: right;">X 1</div>		
4		 <div style="text-align: right;">X 1</div>		
	Queen Size Bed Rails	5	 <div style="text-align: right;">X 1</div>	 B x 1pc  C x 1pc
6		 <div style="text-align: right;">X 1</div>	 D x 6pcs	
7		 <div style="text-align: right;">X 2</div>	 E x 4pcs  F x 6pcs	
8		 <div style="text-align: right;">X 1</div>	 G x 6pcs  H x 4pcs	
9		 <div style="text-align: right;">X 12</div>	 I x 24pcs  J x 4pcs	
10		 <div style="text-align: right;">X 2</div>	 K x 2pcs  L x 1pc	
11		 <div style="text-align: right;">X 4</div>	 M x 1pc	

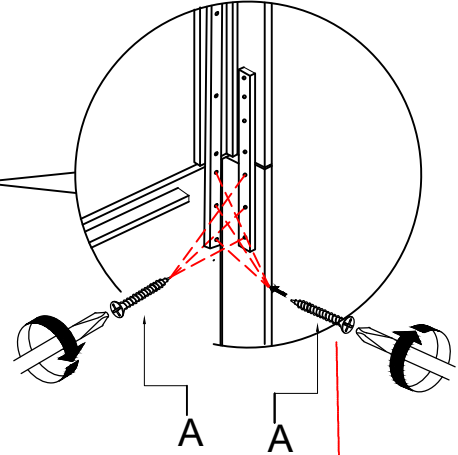
ASSEMBLY INSTRUCTIONS

1

- Part ① x1pc
- Part ③ x1pc
- Part ④ x1pc
- Hardware ① x12pcs



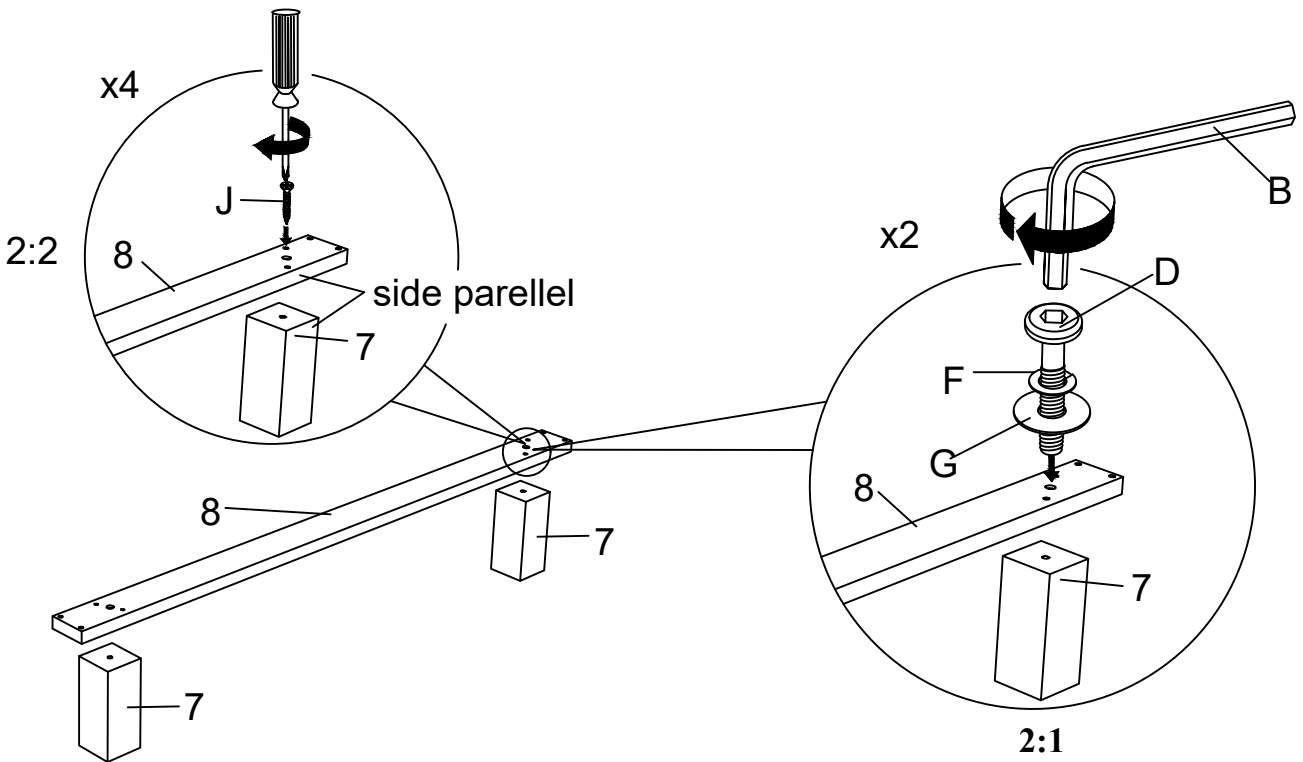
STEP 1.1:



Fix the other holes with csk screw (A) as shown

2

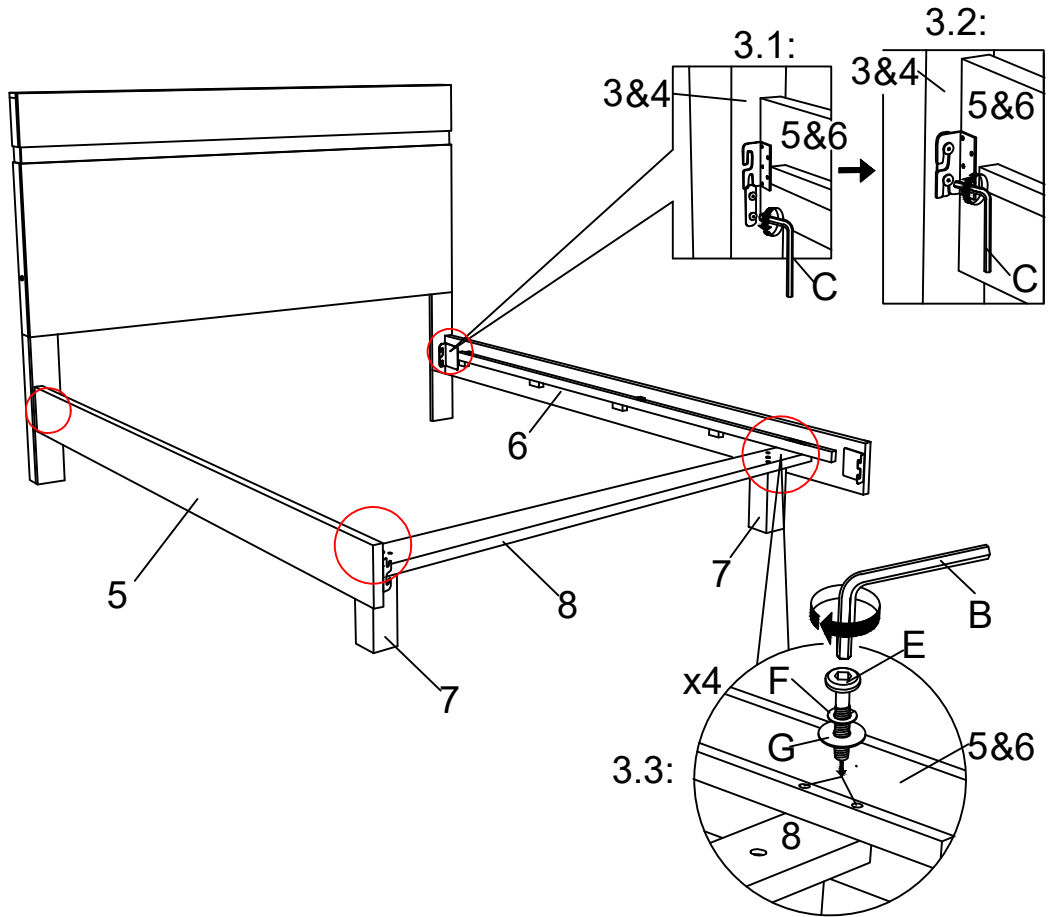
- Part ⑦ x2pcs
- Part ⑧ x1pcs
- Hardware ④ x 2pcs
- Hardware ⑤ x 2pcs
- Hardware ⑥ x 2pcs
- Hardware ⑩ x 4pcs



ASSEMBLY INSTRUCTIONS

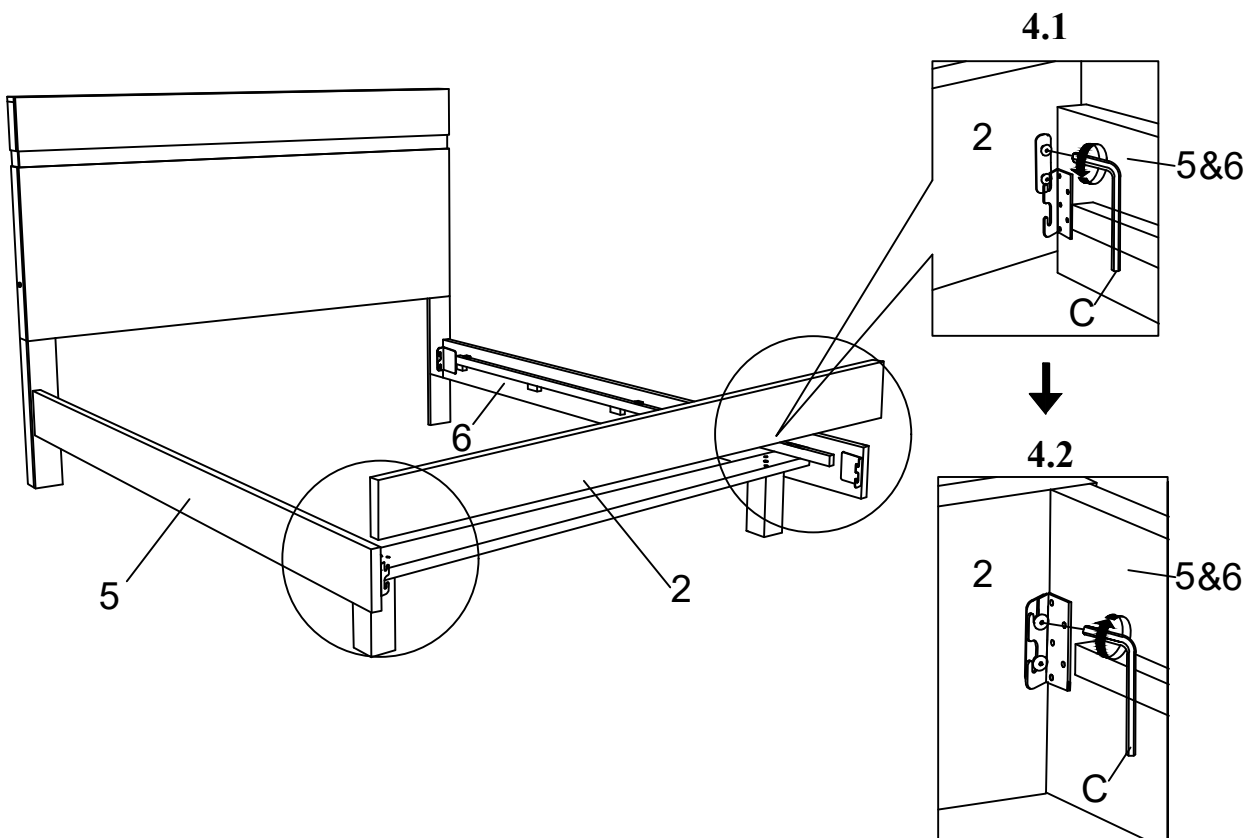
3

- Part ⑤ x 1pc
- Part ⑥ x 1pc
- Part ⑦ x 2pcs
- Part ⑧ x 1pc
- Hardware ④ x 4pcs
- Hardware ⑤ x 4pcs
- Hardware ⑥ x 4pcs



4

- Part ② x 1pc



ASSEMBLY INSTRUCTIONS

5

Part ⑨ x 12 pcs

Part ⑩ x 2 pc

Part ① x 4 pcs

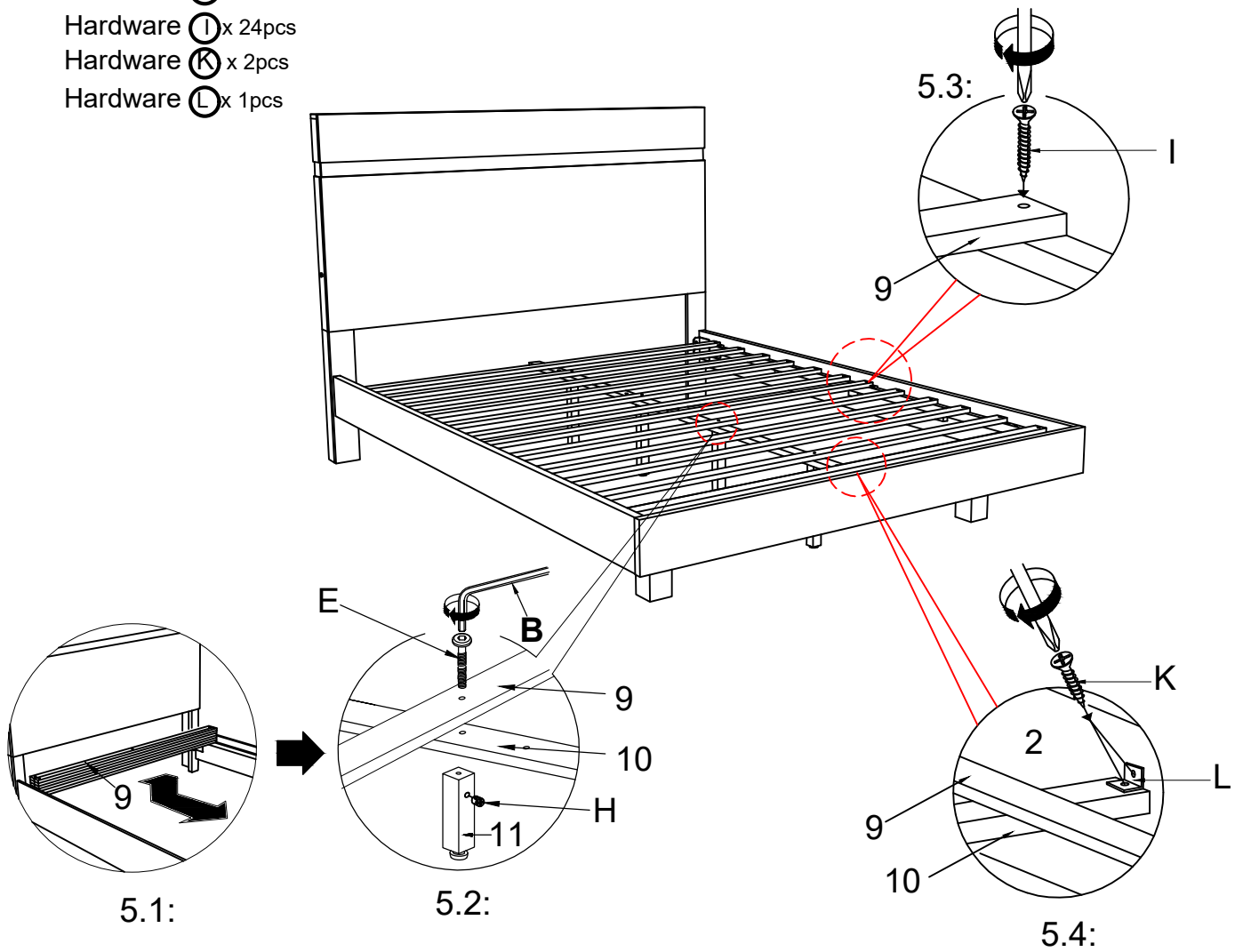
Hardware ⑤ x 4 pcs

Hardware ⑧ x 4 pcs

Hardware ① x 24 pcs


Hardware ③ x 2 pcs

Hardware ④ x 1 pcs



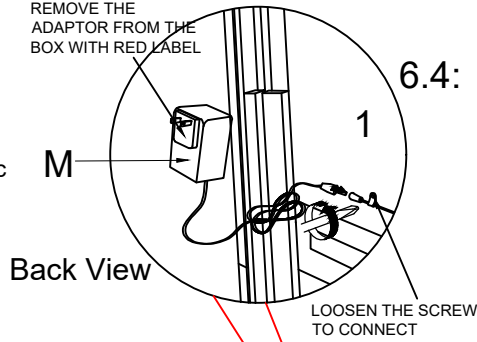
ASSEMBLY INSTRUCTIONS

6

Hardware  x 1pc

REMARK!!
REMOVE THE
ADAPTOR FROM THE
BOX WITH RED LABEL

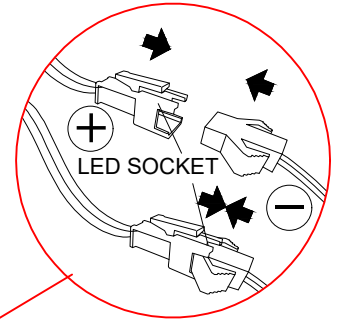
6.4:



Back View

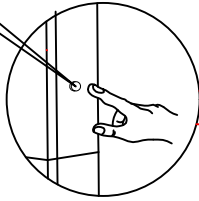
LOOSEN THE SCREW
TO CONNECT

6.1:

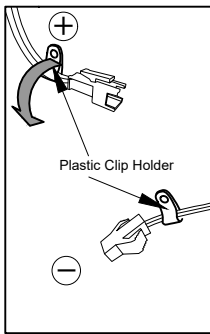


LED SOCKET

ON & OFF TOUCH
SWITCH BUTTON

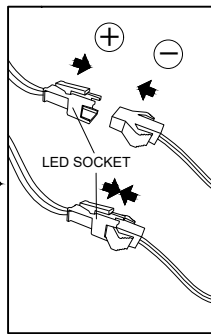


6.2:



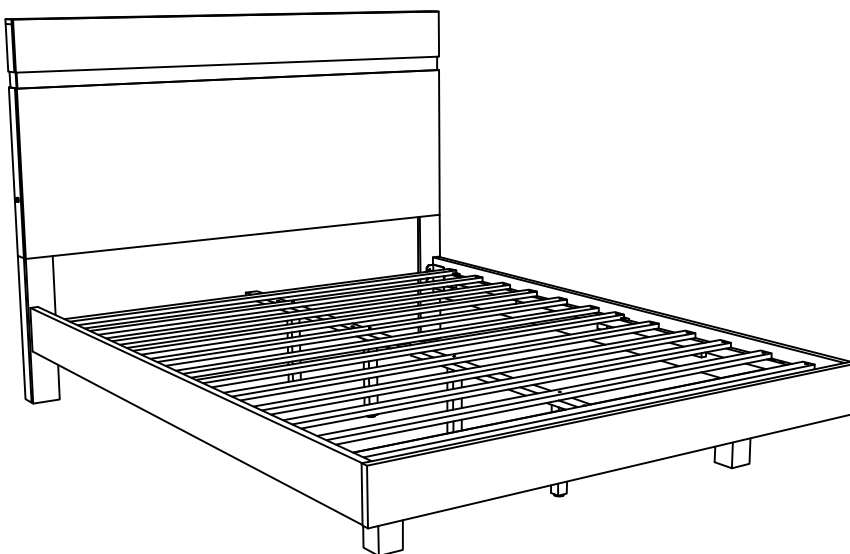
Plastic Clip Holder

6.3:



CAUTION !!!
PLEASE
CONNECT THE
LED TERMINAL
SOCKET
AFTER FIT IN THE
HOOK PART
AS SHOWN.

PLEASE LOOSEN PLASTIC CLIP
HOLDER SCREW BEFORE
CONNECT



ASSEMBLY COMPLETED



Please ensure the furniture rests on an even and flat surface. If the product wobbles or feels loose, double-check all bolts and/or screws are properly tightened and secured.



Keep this handy!

Please retain this instruction manual and any order-related information for future reference.



Lift, don't drag!

To avoid damage to product please always LIFT the product when transporting or adjusting the placement.

This product is intended for RESIDENTIAL USE ONLY and not for commercial use.