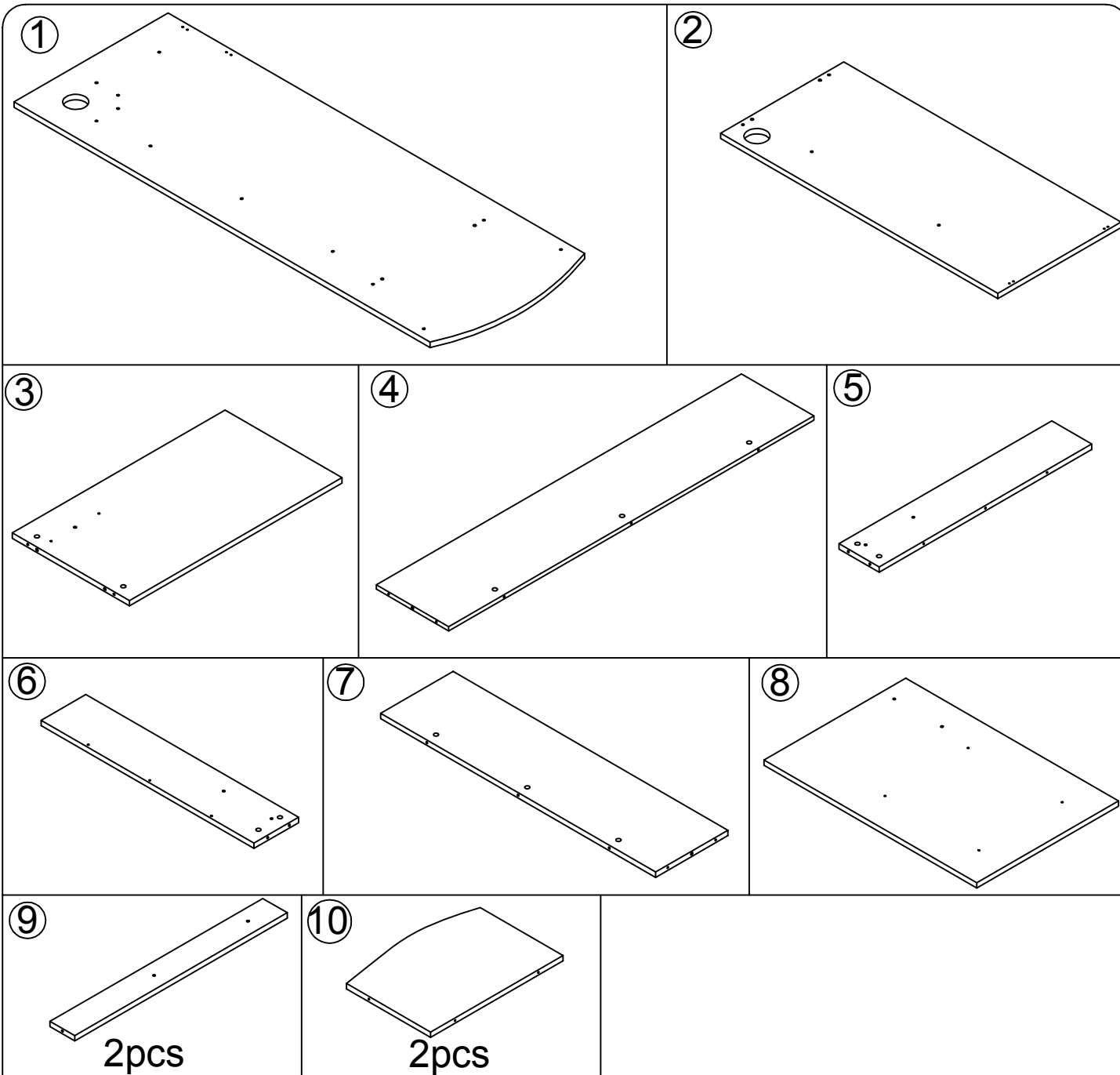










WF196446



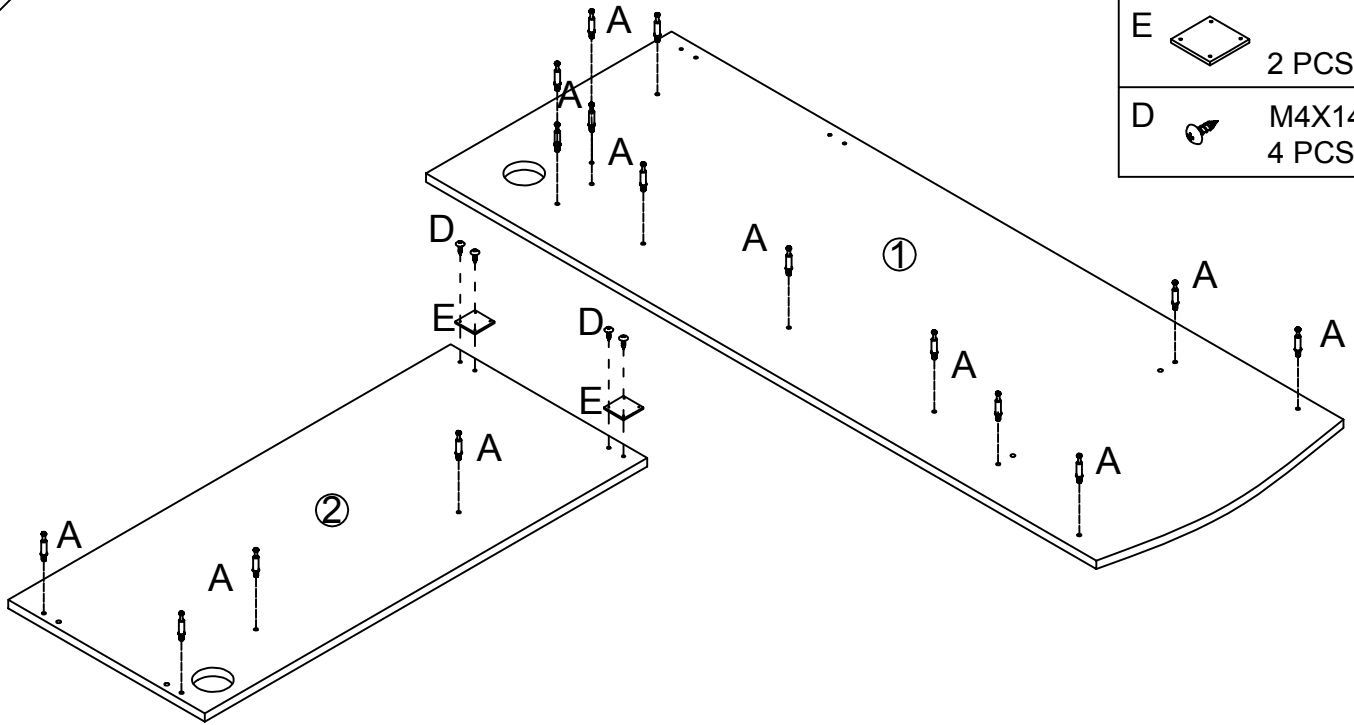
WF196446

P.2




A	M6x35	16		E		2	
B		16		F		1	
C	M6x30	8		G	M5x50	19	
D	M4x14	8		H		2	


1



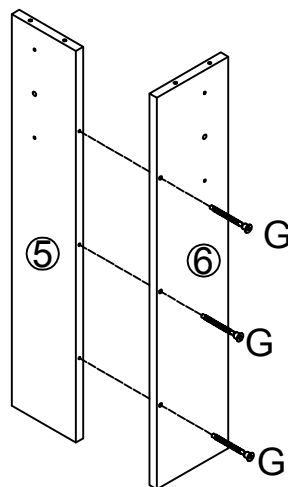
.SCREWS

A  M6X35
16 PCS


E  2 PCS

D  M4X14
4 PCS

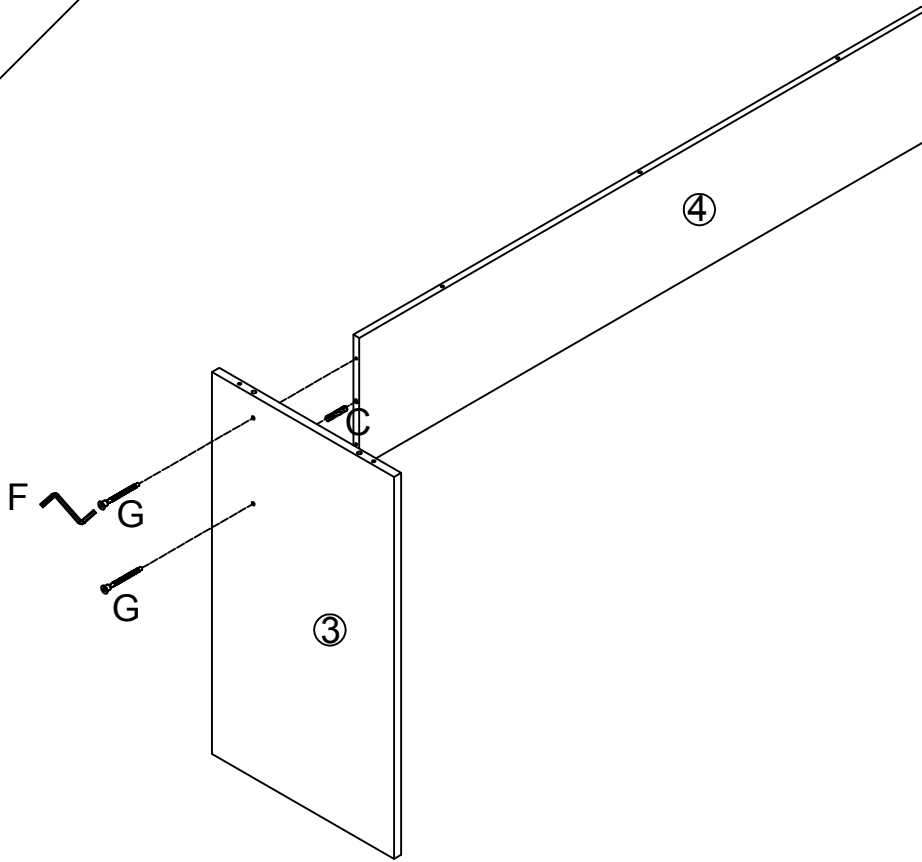
2





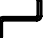
.SCREWS

G  M5X50
3 PCS

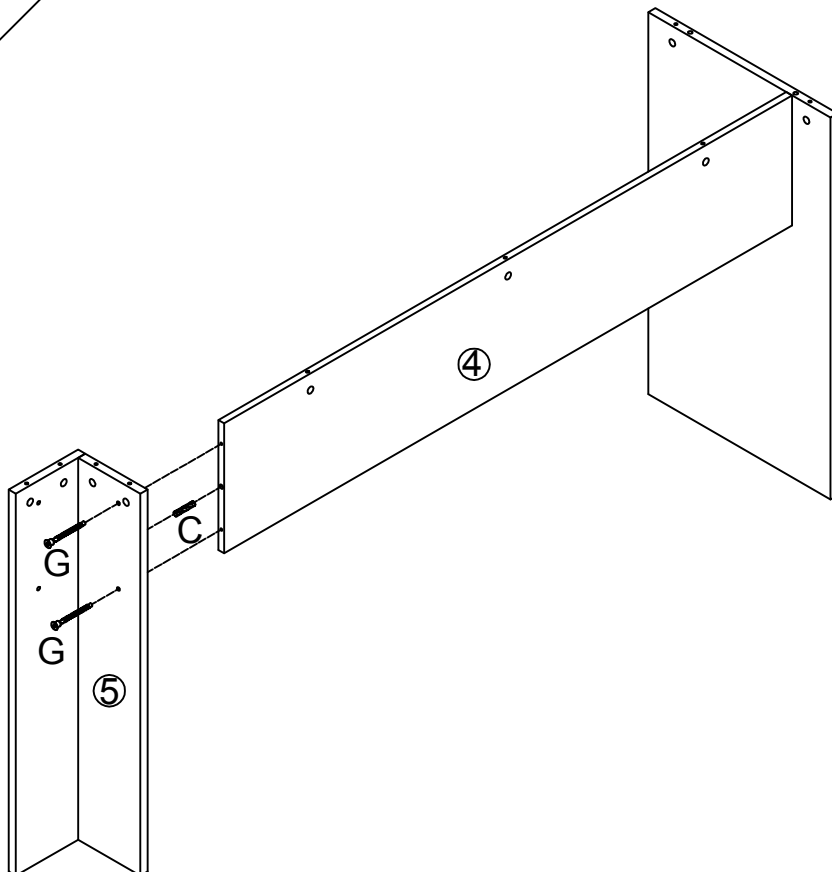
3





.SCREWS

G		M5X50 2 PCS
C		M6X30 1 PC
F		1 PC

4




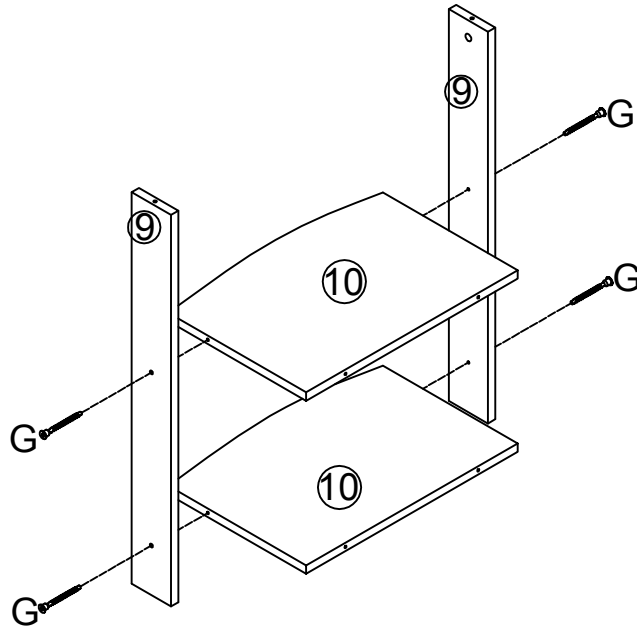
.SCREWS

G		M5X50 2 PCS
C		M6X30 1 PC

5


.SCREWS

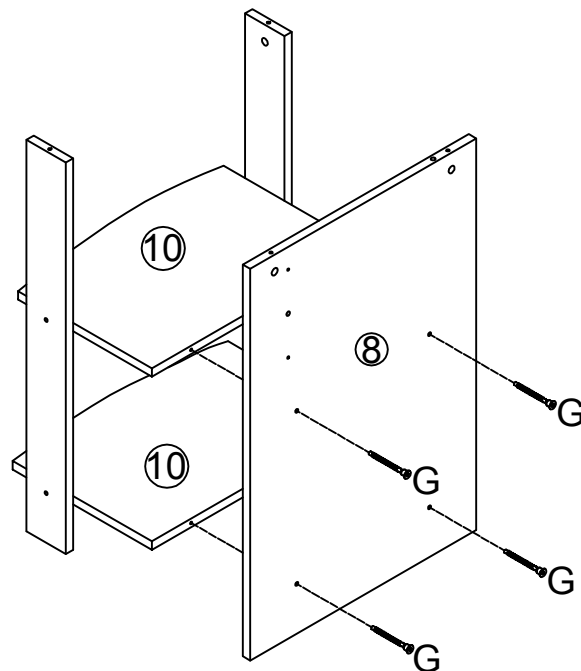
G  M5X50
4 PCS



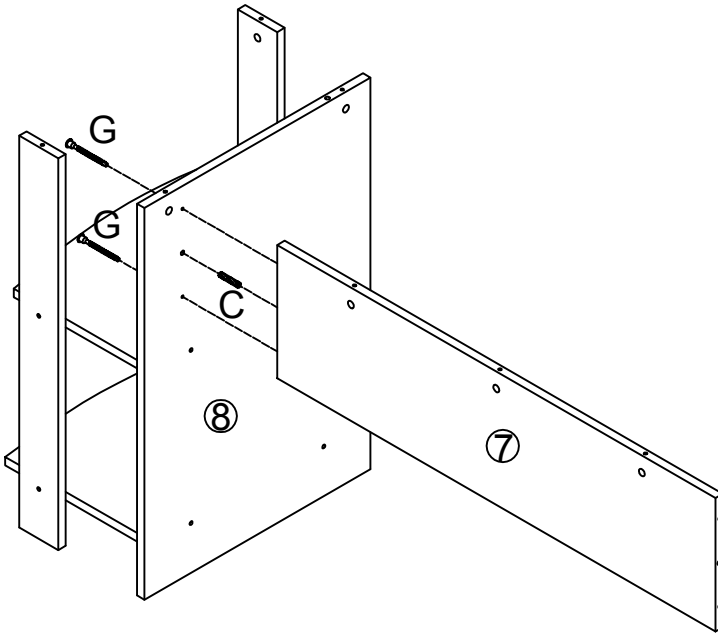
6

.SCREWS

G  M5X50
4 PCS



7

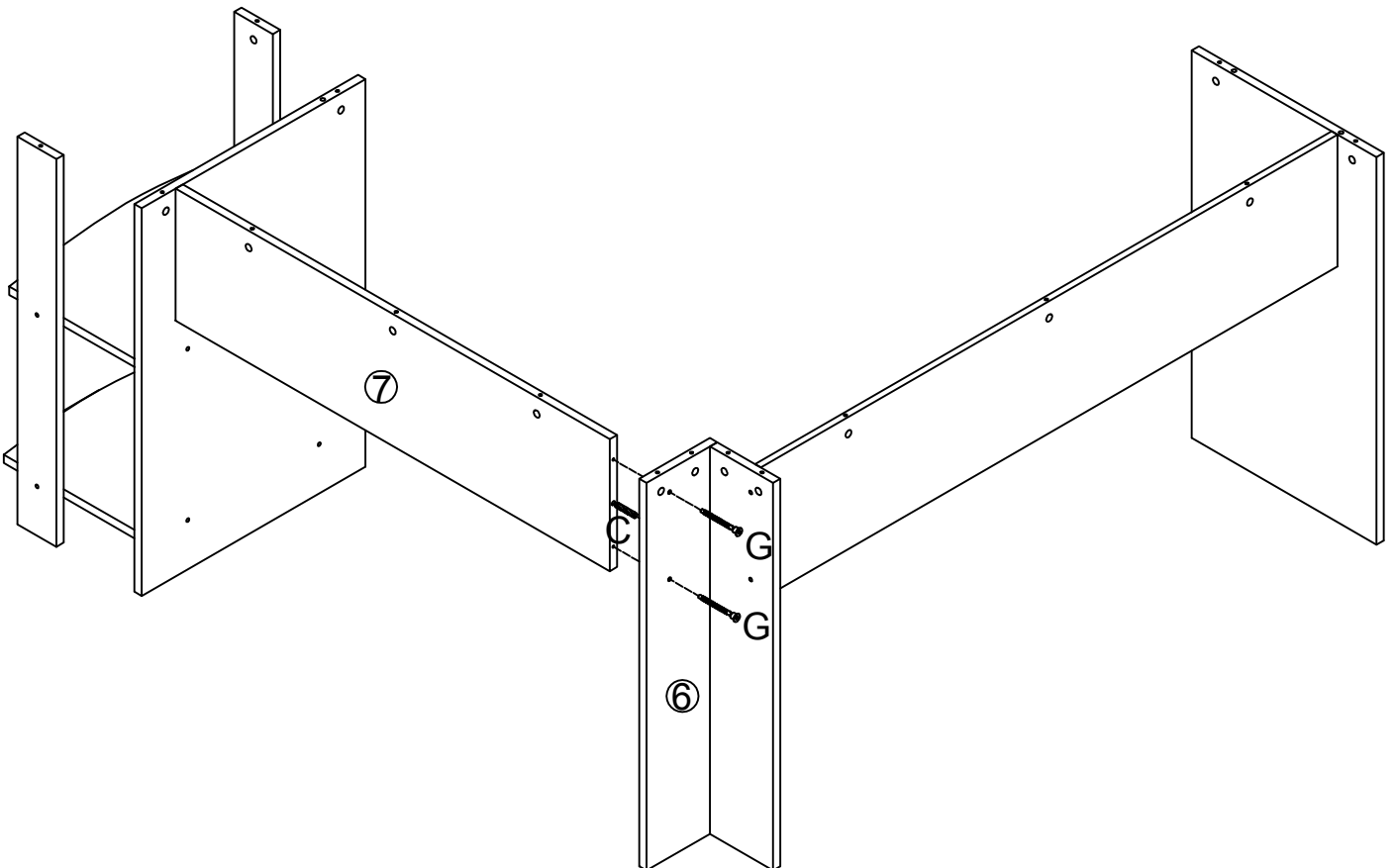


.SCREWS


G  M5X50
2 PCS

C  M6X30
1 PC

8





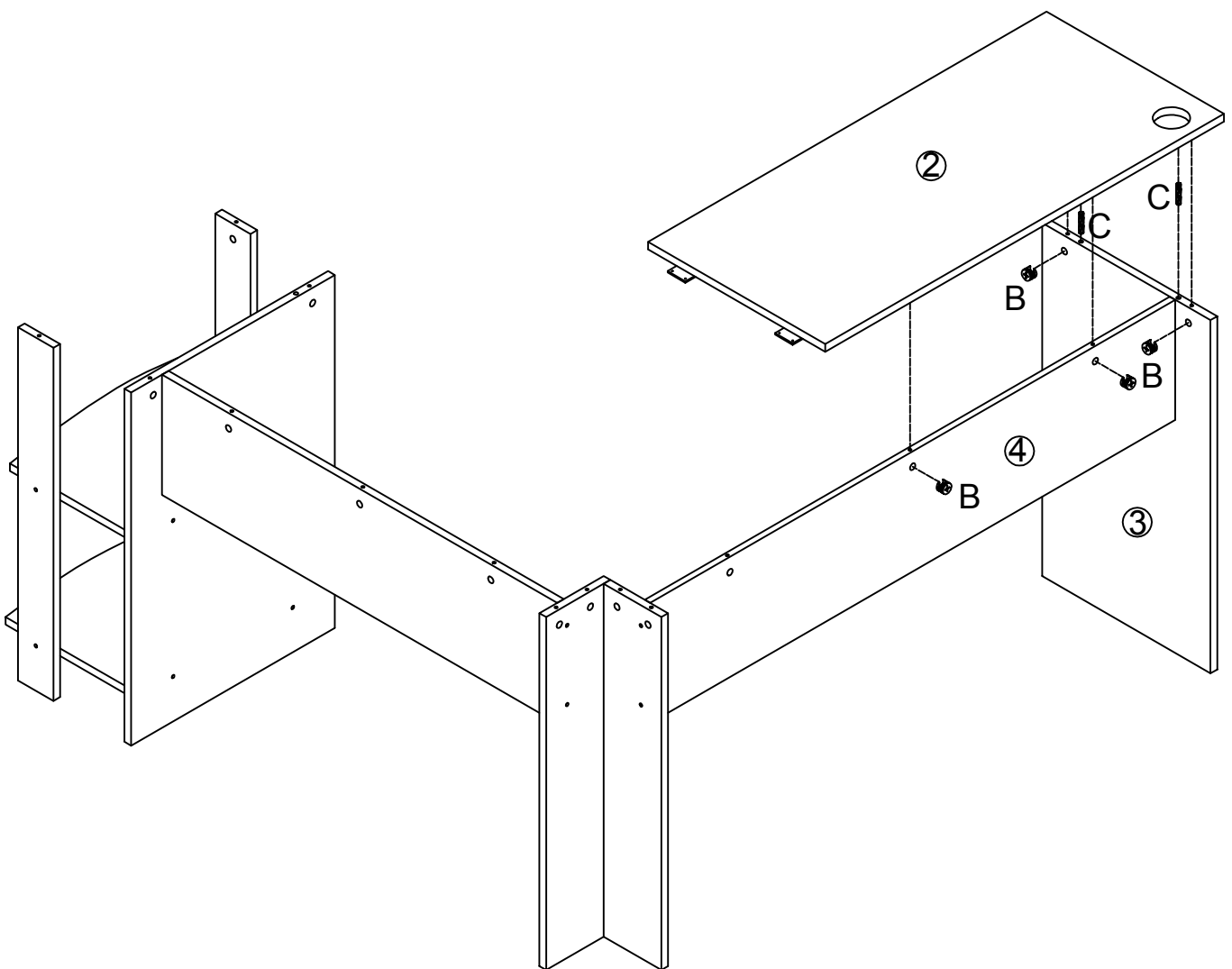
.SCREWS

G  M5X50
2 PCS

C  M6X30
1 PC




9

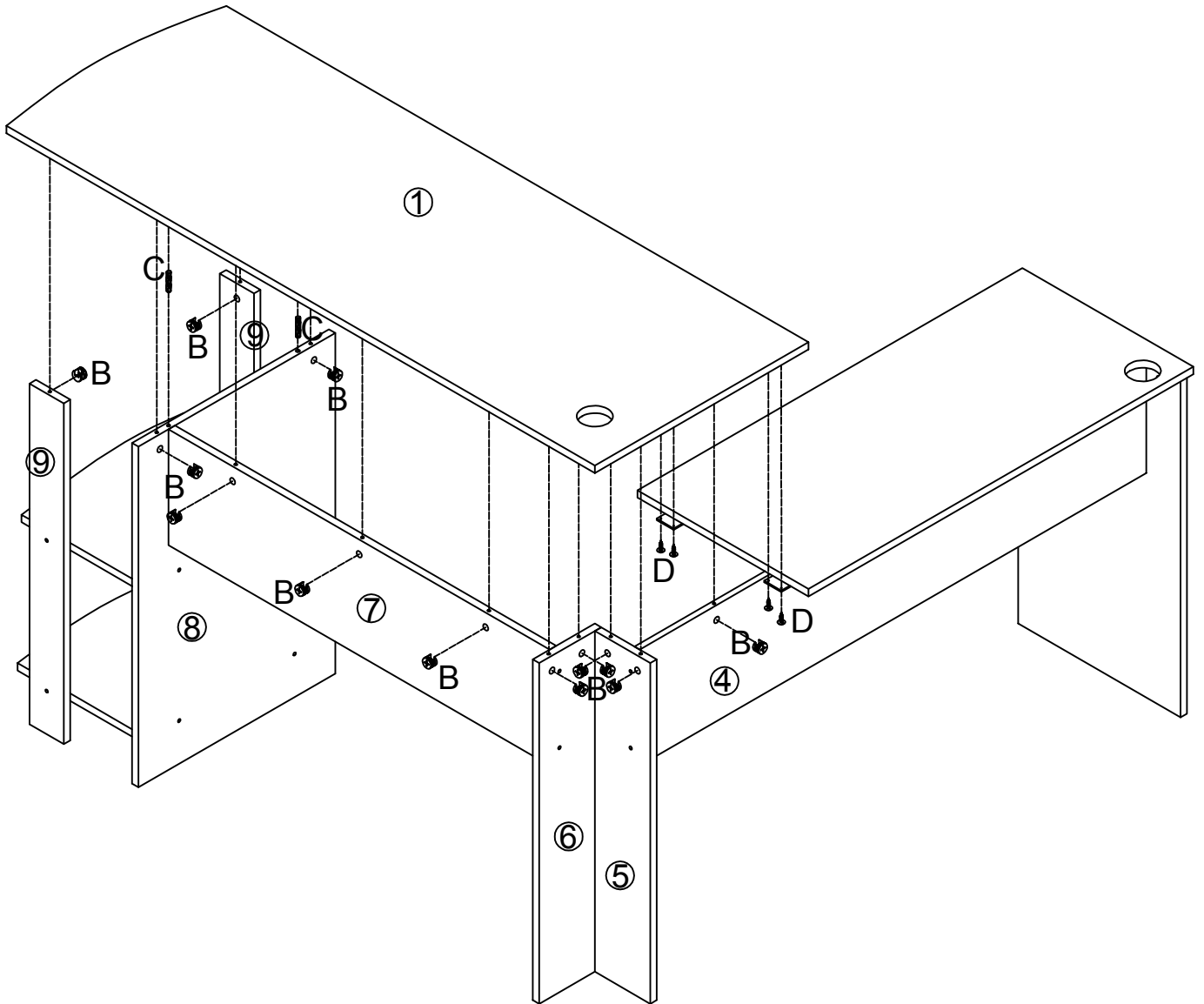
.SCREWS	
B	 4 PCS
C	 M6X30 2 PCS

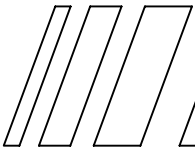


10

.SCREWS

B		12 PCS
C		M6X30 2 PCS
D		M4X14 4 PCS





WF196446

P.9

11

.SCREWS

H



2 PCS

