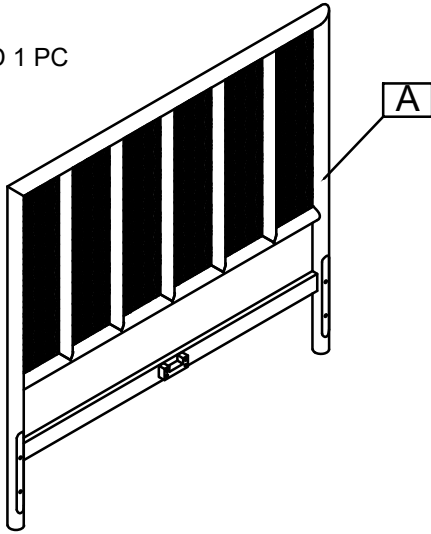


WOOD QUEEN / KING STORAGE BED ASSEMBLY INSTRUCTIONS

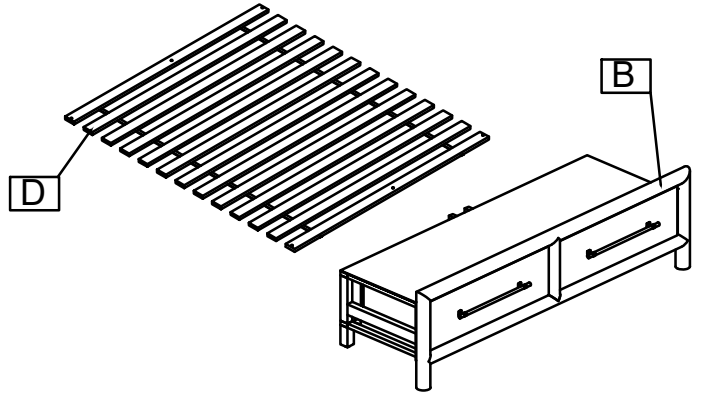
BOX #1

A. HEADBOARD 1 PC







BOX #2

B. FOOTBOARD 1 PC
D. SLAT ROLL 1 SET
BED HARDWARE BOX

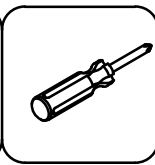
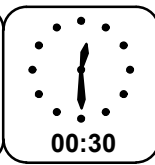
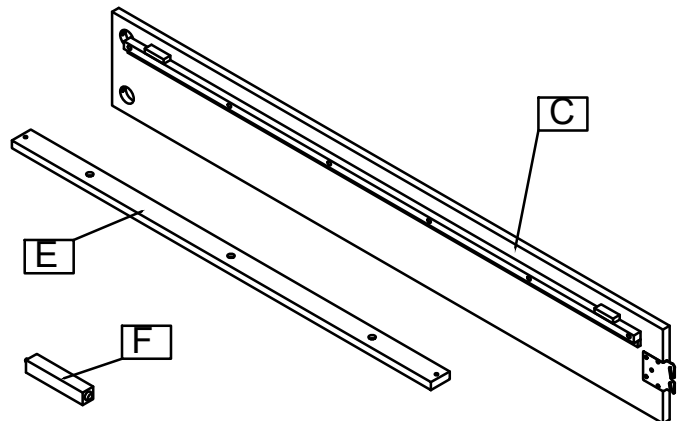


HARDWARE KIT PACKED IN BOX #2

No.	DESCRIPTION	IMAGE	QUANTITY
1	ALL- THREAD BOLT (5/16"x80mm)		4 PCS
2	THREADED HALF MOON WASHER NUT (5/16")		4 PCS
3	SPANNER		1 PC
4	WOOD SCREW (4x30mm)		8 PCS

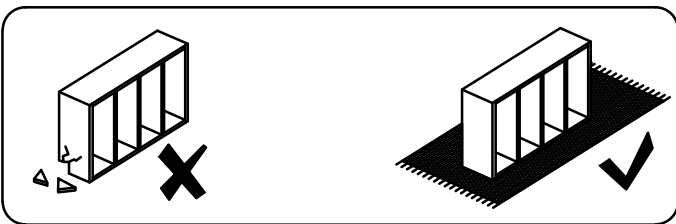
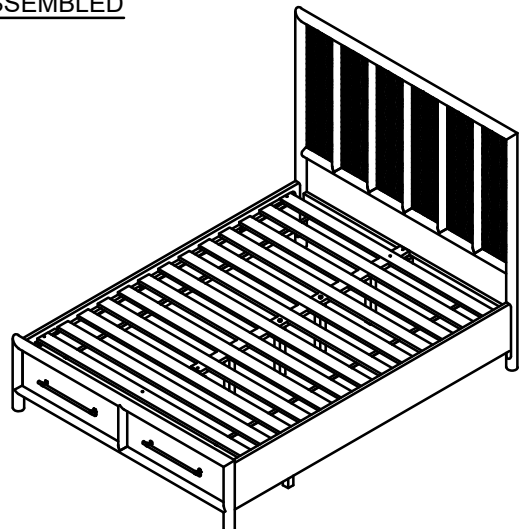
BOX #3 :

C. SIDE RAIL 2 PCS
E. CENTER SLAT SUPPORT 1PC
F. SUPPORT LEG 3PCS



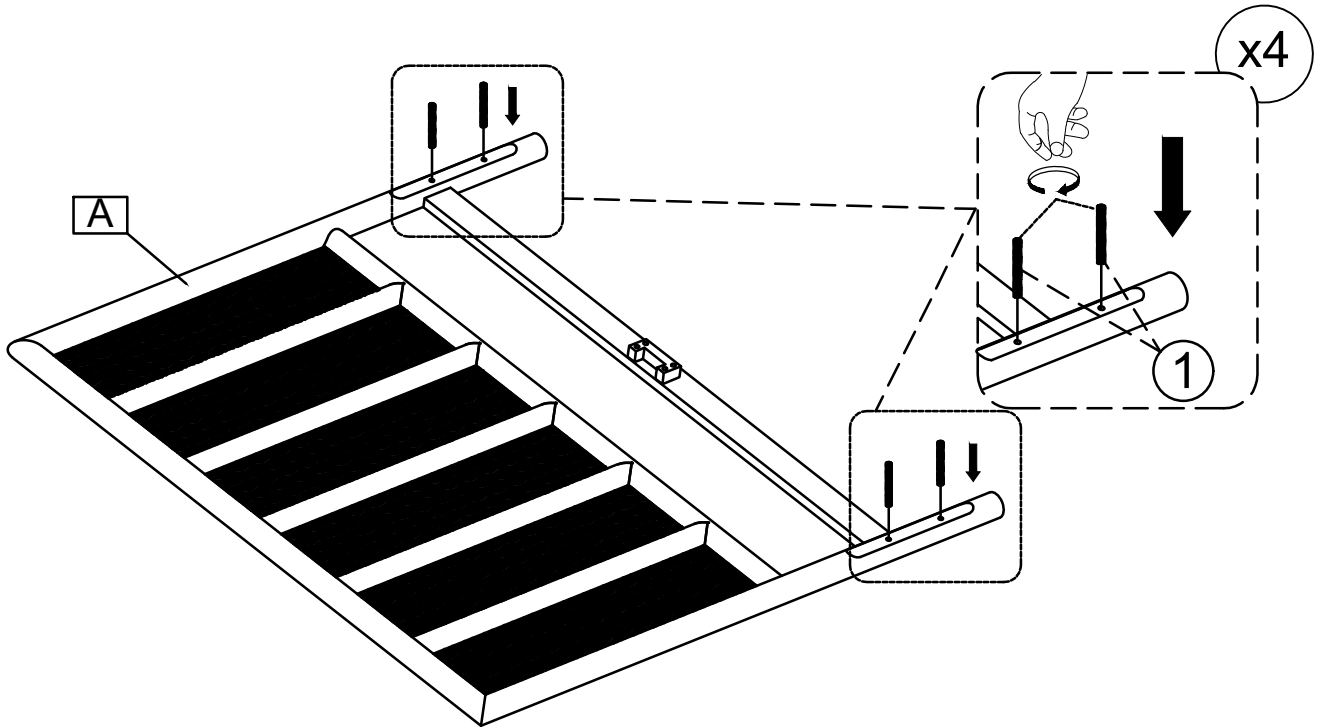
Not provided

FULLY ASSEMBLED

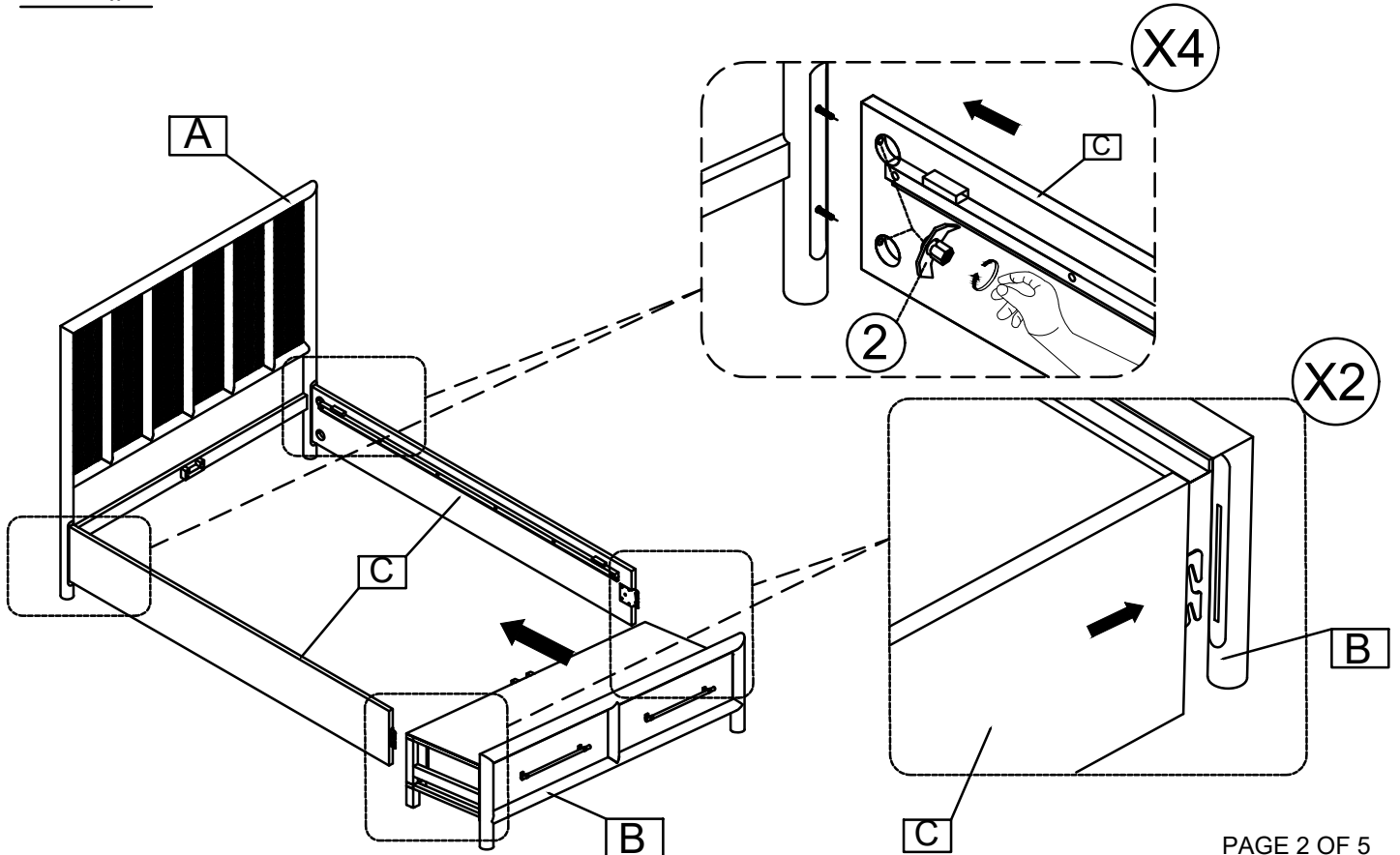


WOOD QUEEN / KING STORAGE BED ASSEMBLY INSTRUCTIONS

STEP #1:

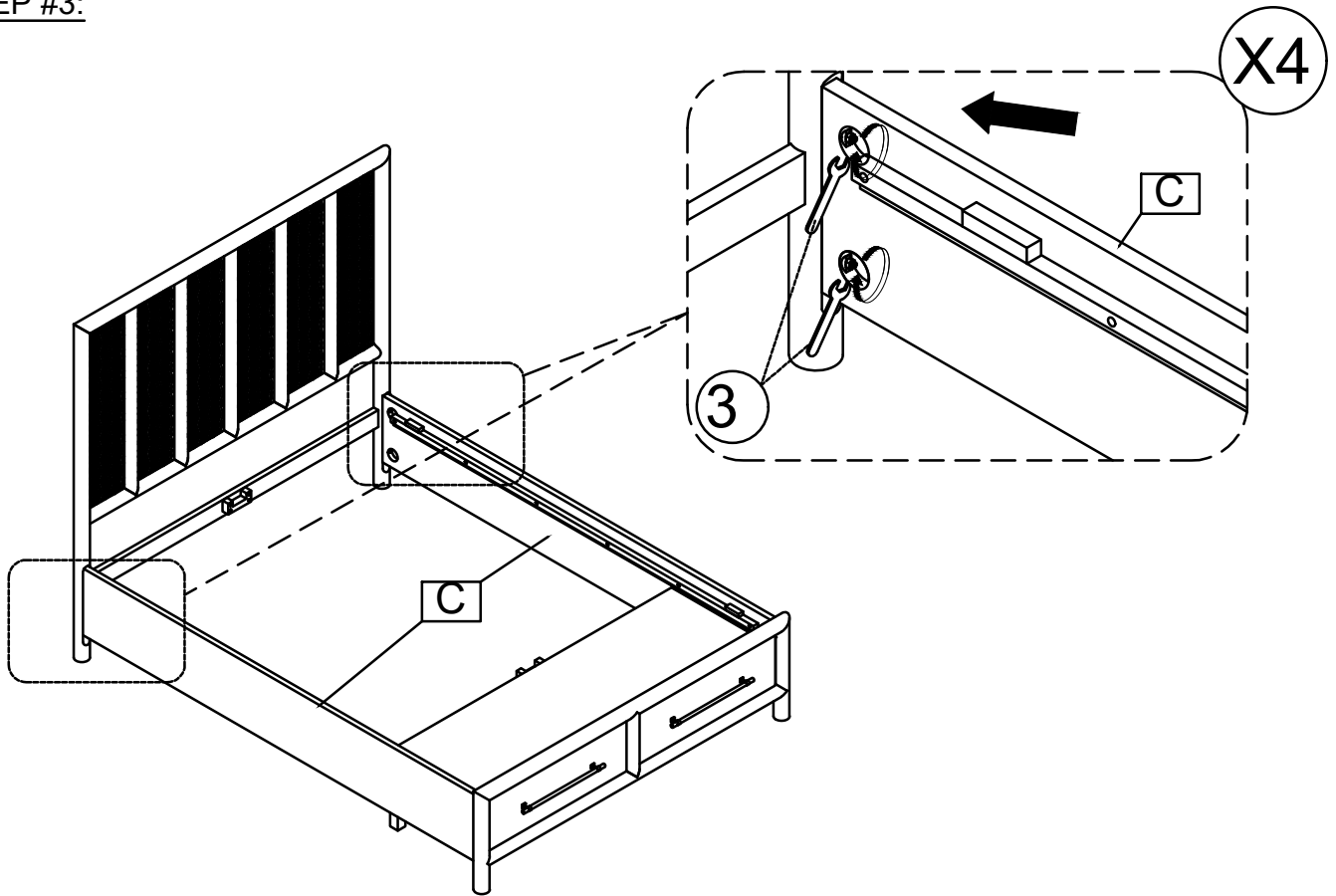


STEP #2:

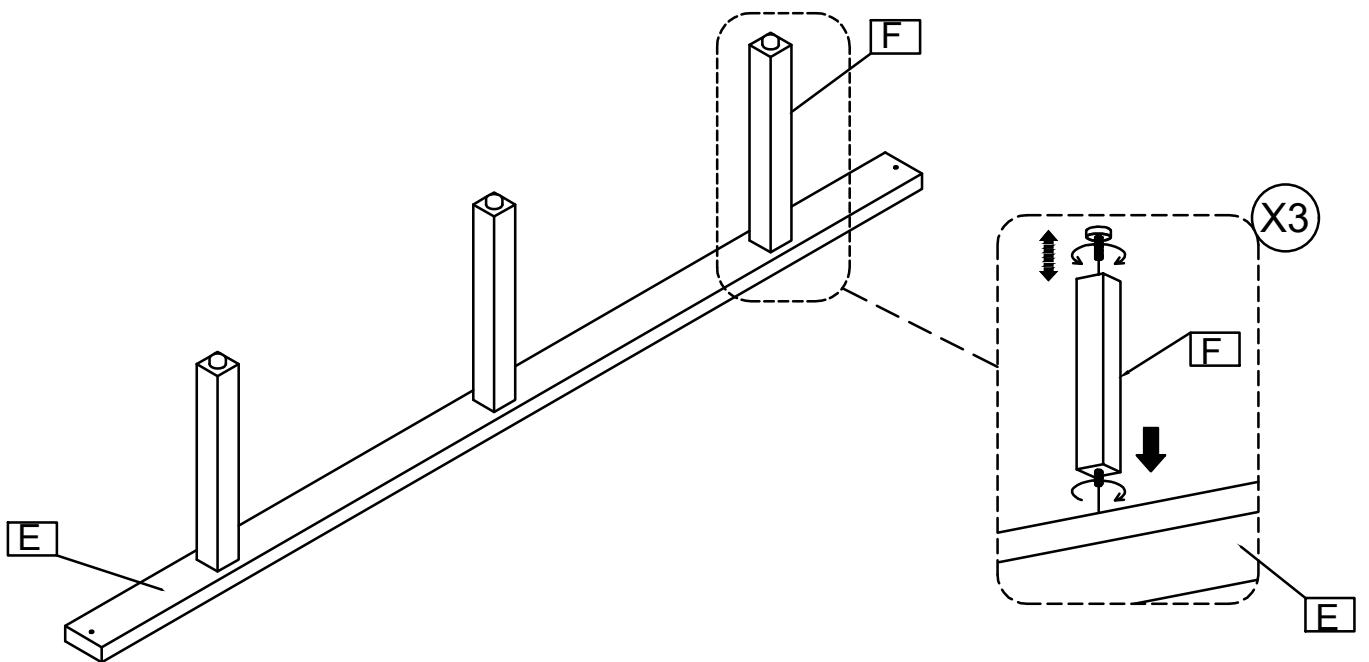


WOOD QUEEN / KING STORAGE BED ASSEMBLY INSTRUCTIONS

STEP #3:

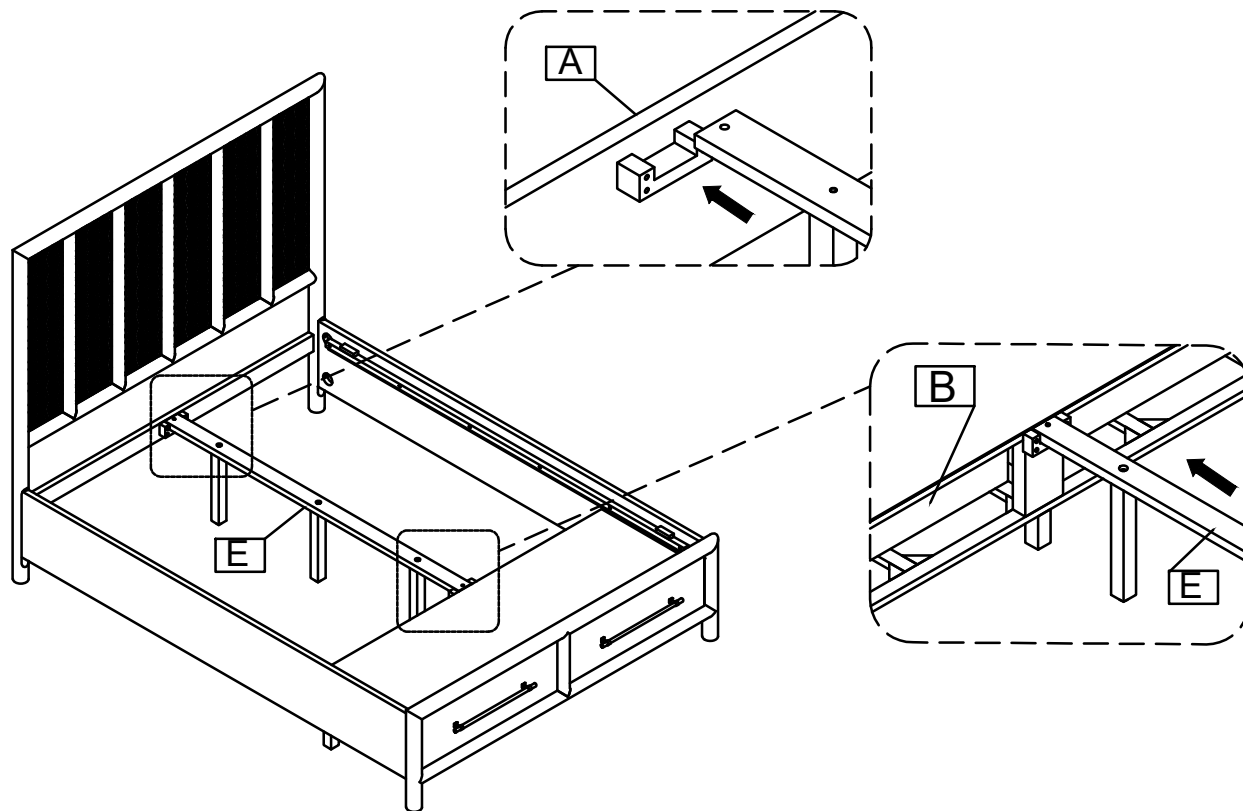


STEP #4:

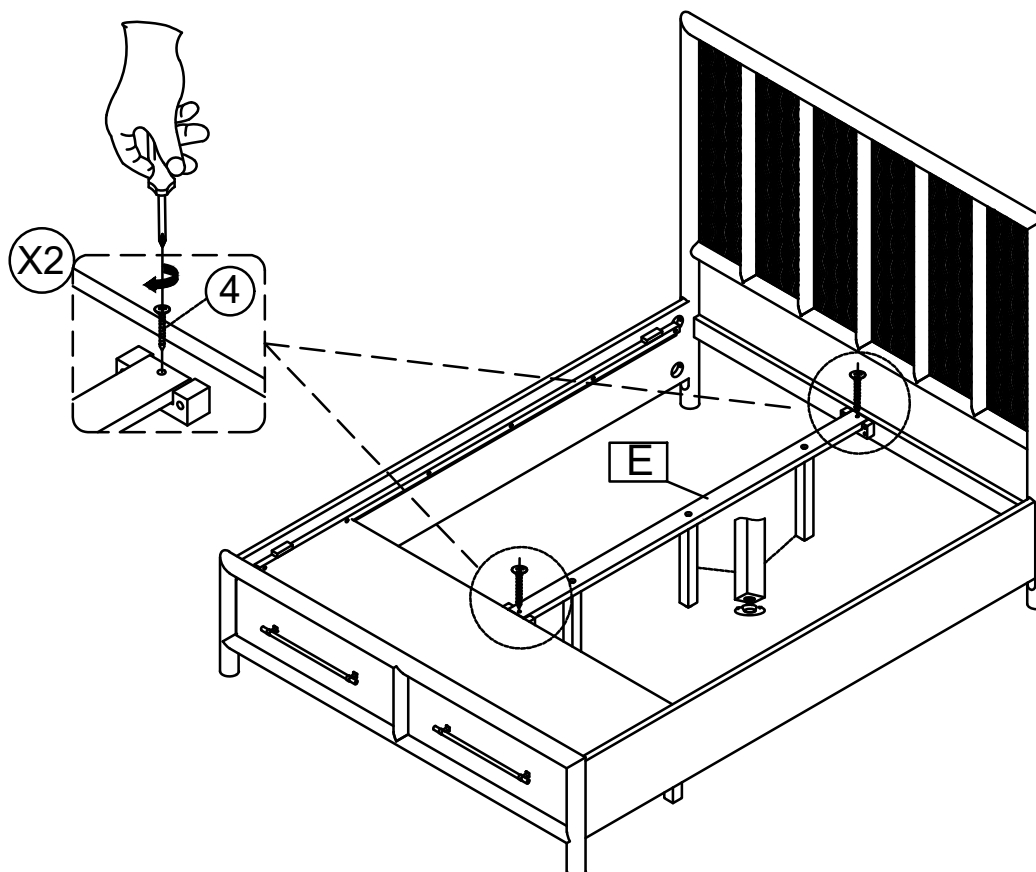


WOOD QUEEN / KING STORAGE BED ASSEMBLY INSTRUCTIONS

STEP #5:

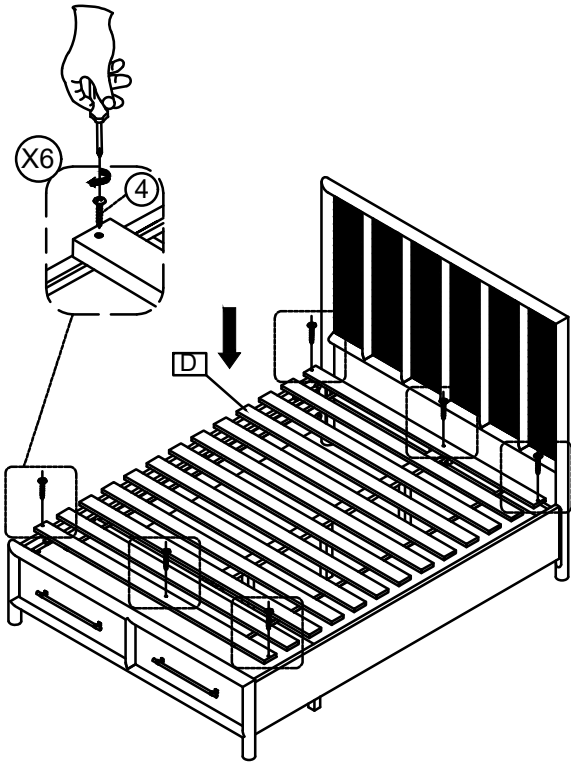


STEP #6:

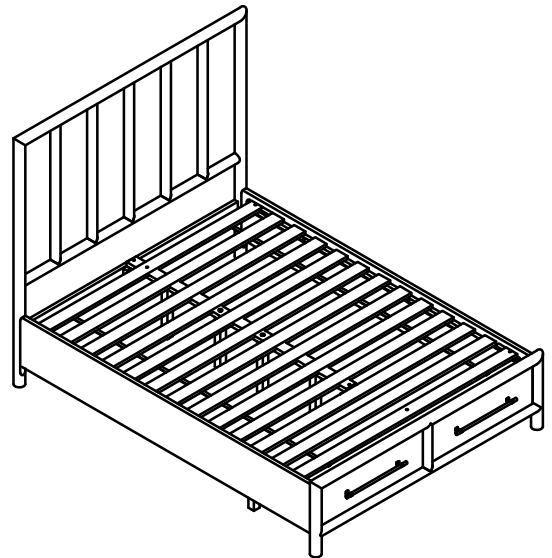


WOOD QUEEN / KING STORAGE BED ASSEMBLY INSTRUCTIONS

STEP #7:

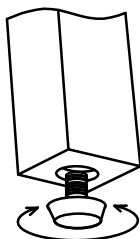


ASSEMBLY COMPLETE.



INSTRUCTIONS FOR ADJUSTING LEVELER:

- . POSITION THE BED IN YOUR SPACE AND LOCATE THE LEVELER UNDER EACH SUPPORT LEG.
- . TURN THE LEVELER COUNTER- CLOCKWISE TO EXTEND THE LEVELER AND CLOCKWISE TO RETRACT IT.
- . ADJUST EACH LEVELER UNTIL EACH SUPPORT LEG IS APPLYING EQUAL, UPWARD PRESSURE ON THE BED SUPPORT SLAT.



MAINTENANCE INSTRUCTION:

- . REMOVE BOX SPRING AND MATTRESS BEFORE MOVING YOUR BED.
- . LIFT YOUR BED WHEN MOVING IT. DRAGGING CAN DAMAGE THE LEG SUPPORT.
- . READJUST LEVELERS AFTER MOVING YOUR BED.