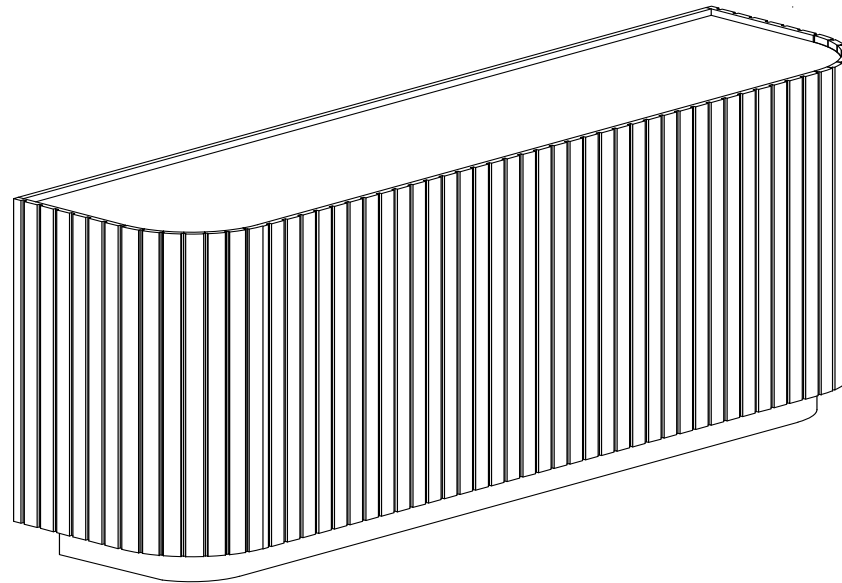


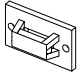




ASSEMBLY INSTRUCTIONS.

POVERA SIDE BOARD

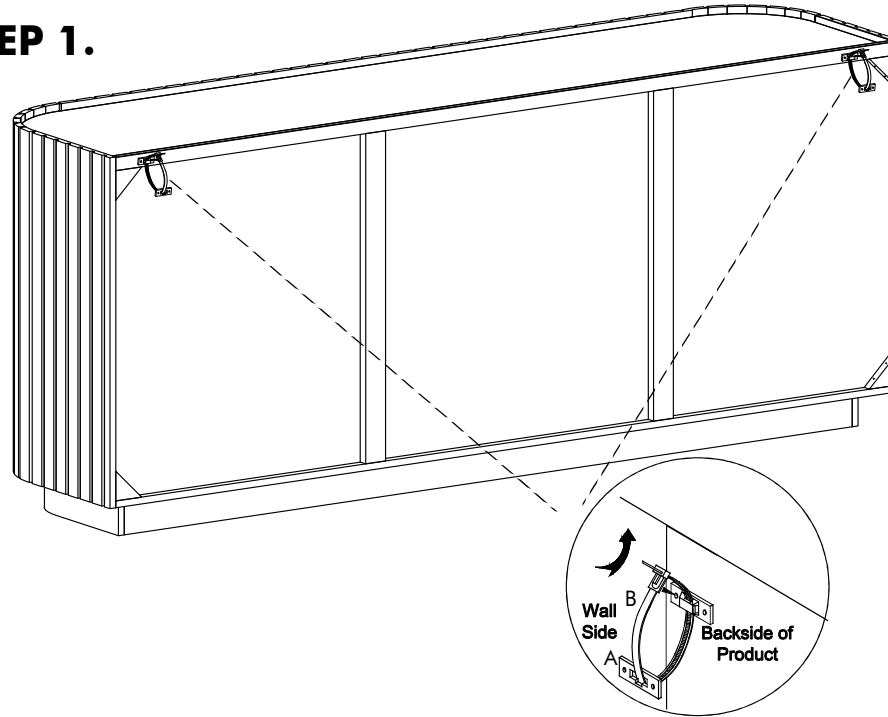


THANK YOU FOR YOUR PURCHASE!

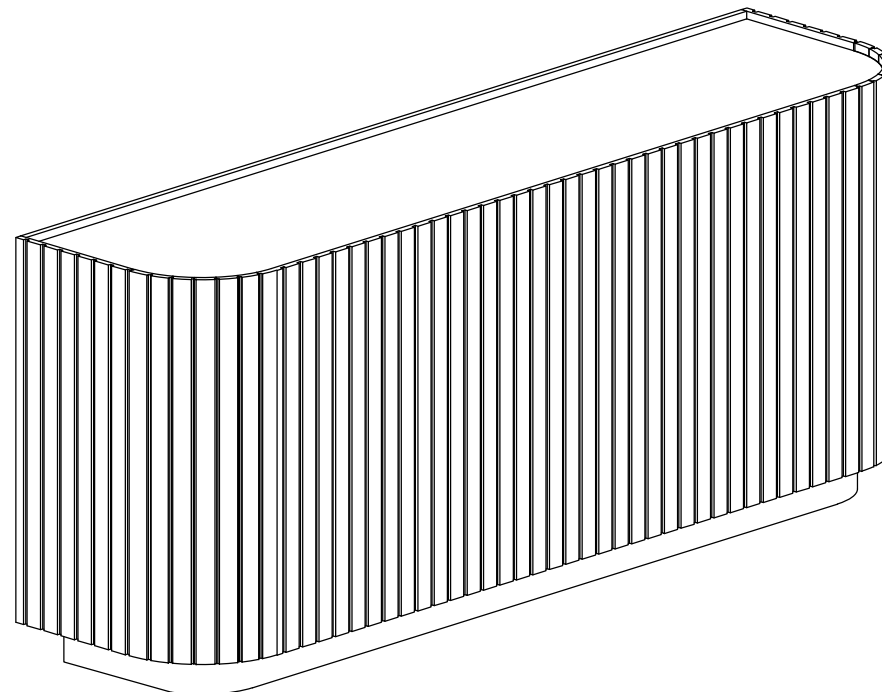
PARTS AND HARDWARE.

(A) Wall Clip ,2x 	(B) Zip Tie ,2x 
(C) Screw ,4x 	(D) Screw Plug ,4x 
(E) Shelf Holder Pin , 4x (32x6mm) 	

STEP 1.



STEP 2.



NOTES.

Thank you for purchasing this quality product! Be sure to check all packing material carefully for small part that may have come loose inside the carton during shipping.

CAUTION: The item is heavy, assembly should be performed by two people.