

see what Delta can doSM

SLIDE BAR / GRAB BAR SHOWER KIT

■ Less Hand-Shower

STANDARD SPECIFICATIONS:

- 60"-82" Stretchable metal hose
- Solid brass wall elbow
- 24" Angular Modern slide bar / grab bar
- ADA compliant adjustable hand shower mount and hose
- ADA compliant grab bar when installed per accessibility guidelines of the act

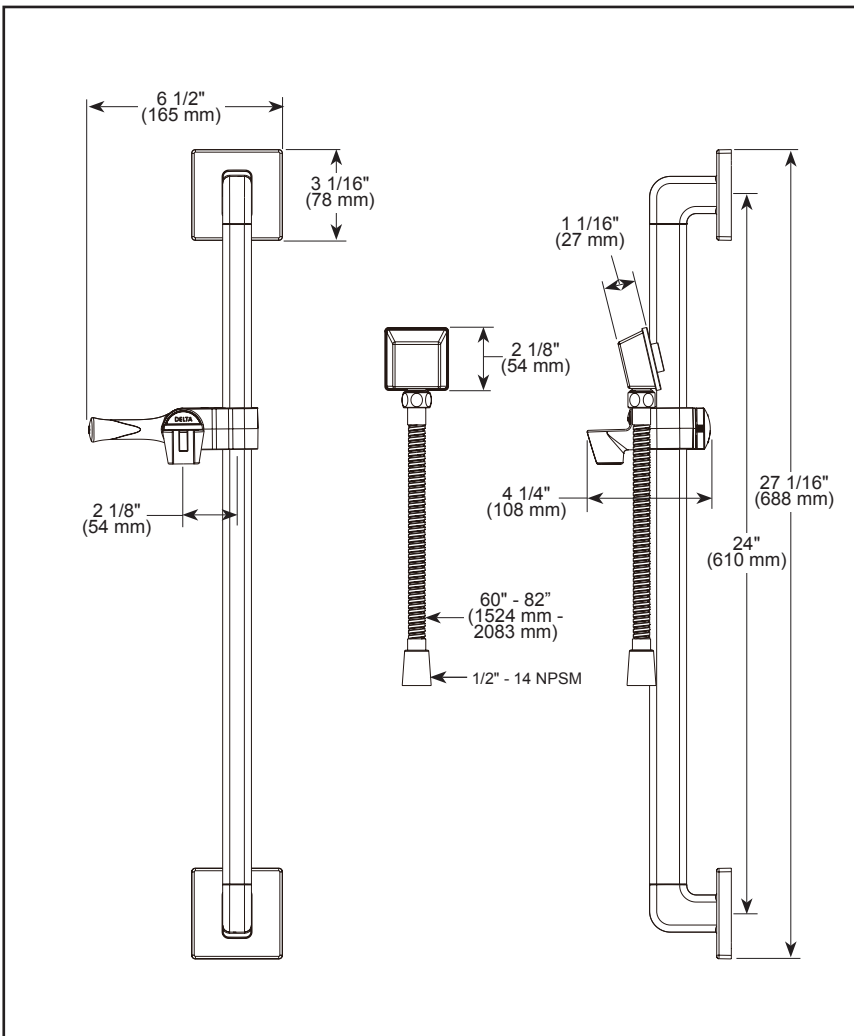
WARRANTY:

- Parts and Finish – Lifetime limited warranty; or for commercial purchasers, 10 years for multi-family residential (apartments and condominiums) and 5 years for all other commercial uses, in each case from the date the product is received by the original purchaser or their authorized representative (installation contractor, etc.).
- Please go to www.deltafaucet.com for the complete details of our limited warranty.

COMPLIES WITH:

- ASME A112.18.1 / CSA B125.1

♿ ICC/ANSI A117.1



▲ Designate proper finish suffix

Delta Faucet Company reserves the right (1) to make changes in specifications and materials, and (2) to change or discontinue models, both without notice or obligation. Dimensions are for reference only. See current full-line price book or www.deltafaucet.com for finish options and product availability.

DSP-B-51500 Rev. B

Delta Faucet Company

55 E. 111th Street, Carmel, IN 46280
 350 South Edgeware Road, St. Thomas, ON N5P 4L1
 © 2025 Delta Faucet Company