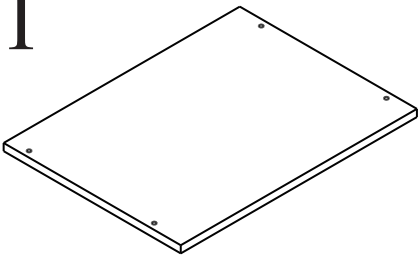
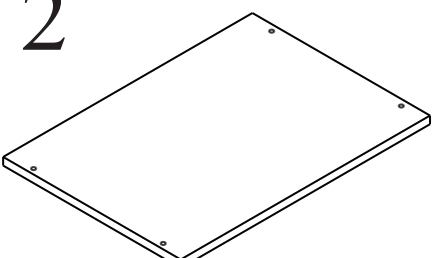
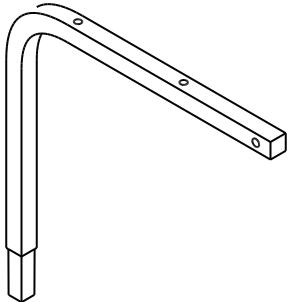
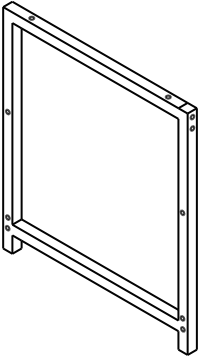
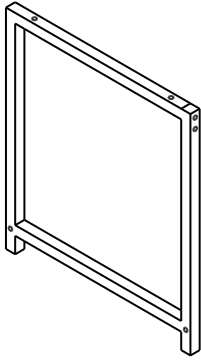
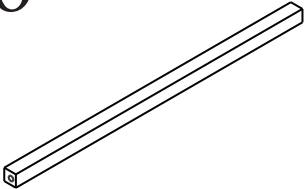
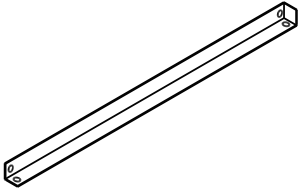
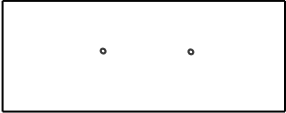
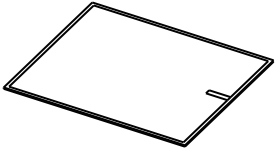





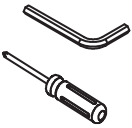



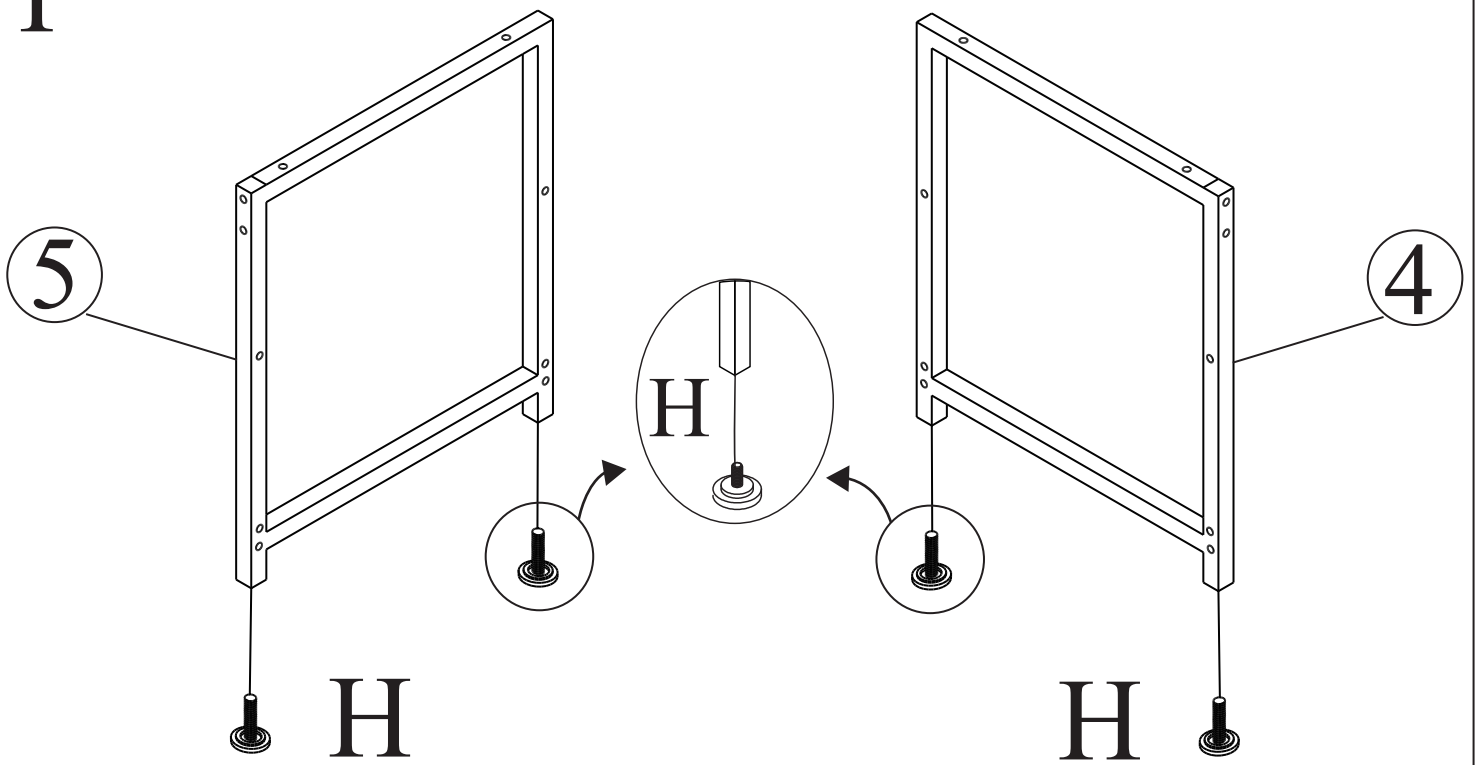
User Manual

Accessories

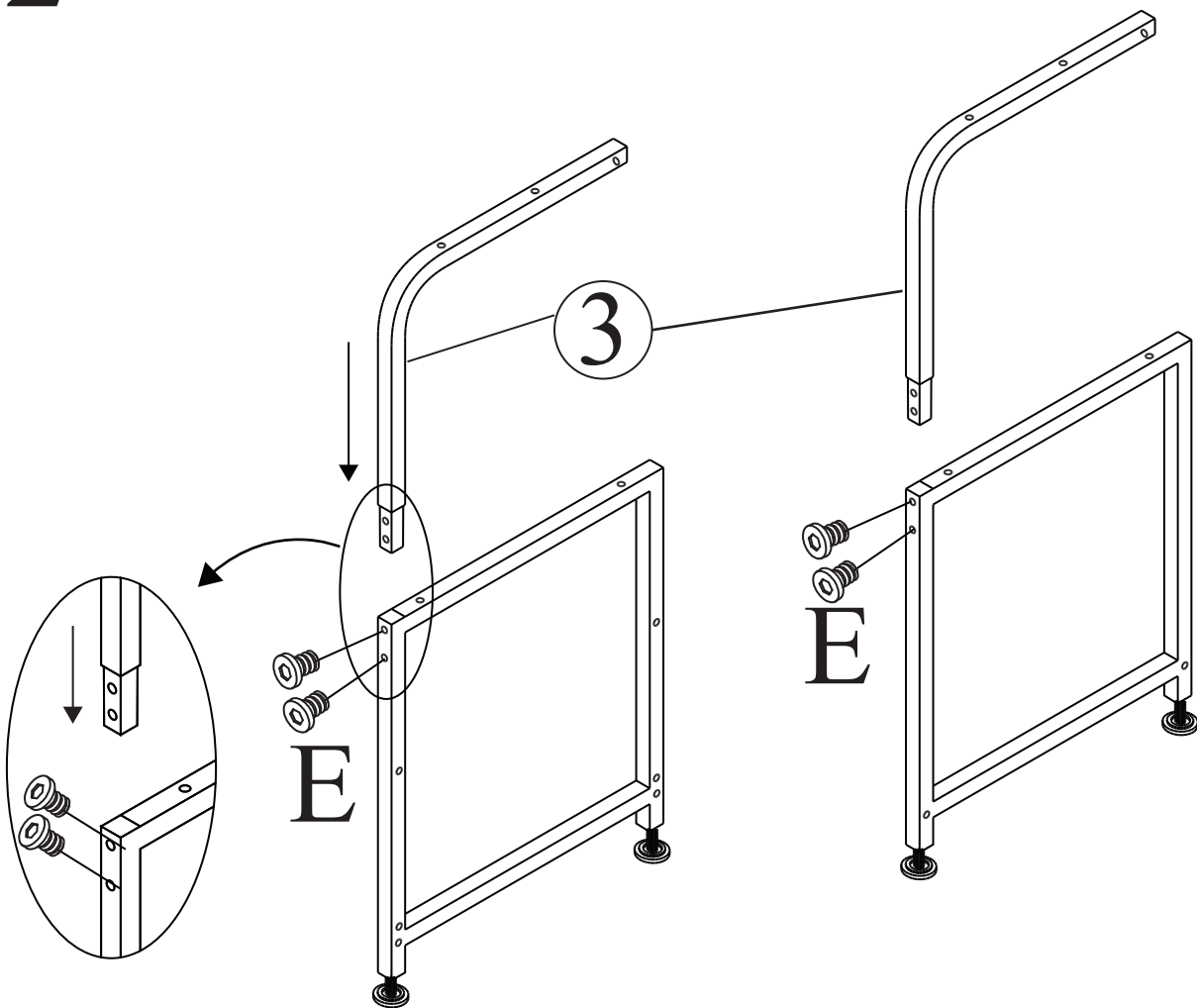
<p>1</p>  <p>x1</p>	<p>2</p>  <p>x1</p>	<p>3</p>  <p>x2</p>	
<p>4</p>  <p>x1</p>	<p>5</p>  <p>x1</p>	<p>6</p>  <p>x3</p>	<p>7</p>  <p>x4</p>
<p>A</p>  <p>x2</p>	<p>B</p>  <p>x2</p>	<p>C</p>  <p>M6*23 x14</p>	
<p>D</p>  <p>M4*10 x8</p>	<p>E</p>  <p>M6*10 x4</p>	<p>F</p>  <p>x2</p>	
<p>G</p>  <p>M4*8 x4</p>	<p>I</p>  <p>x1</p>	<p>H</p>  <p>x4</p>	


Before assembly, please read the User Manual thoroughly for quick assembly, check Accessories and confirm they are complete.

1

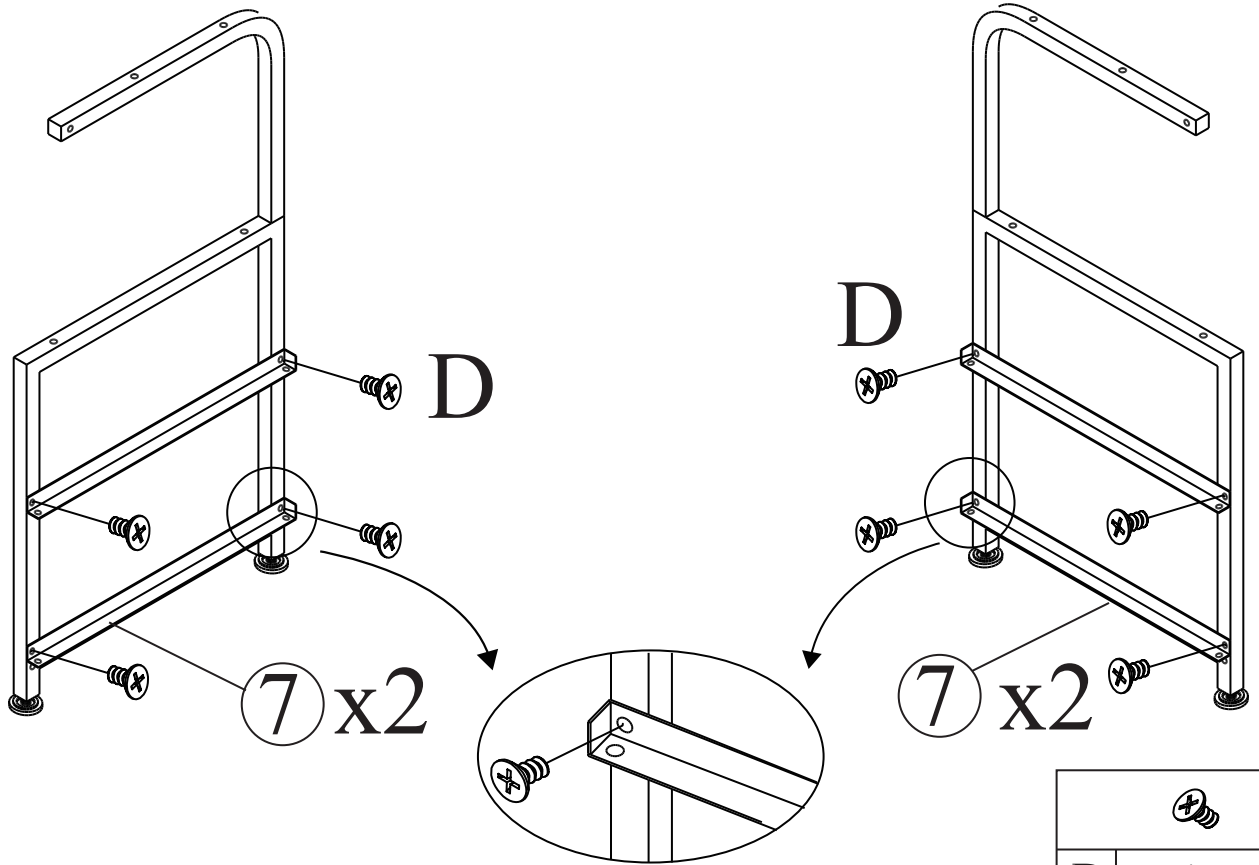


2



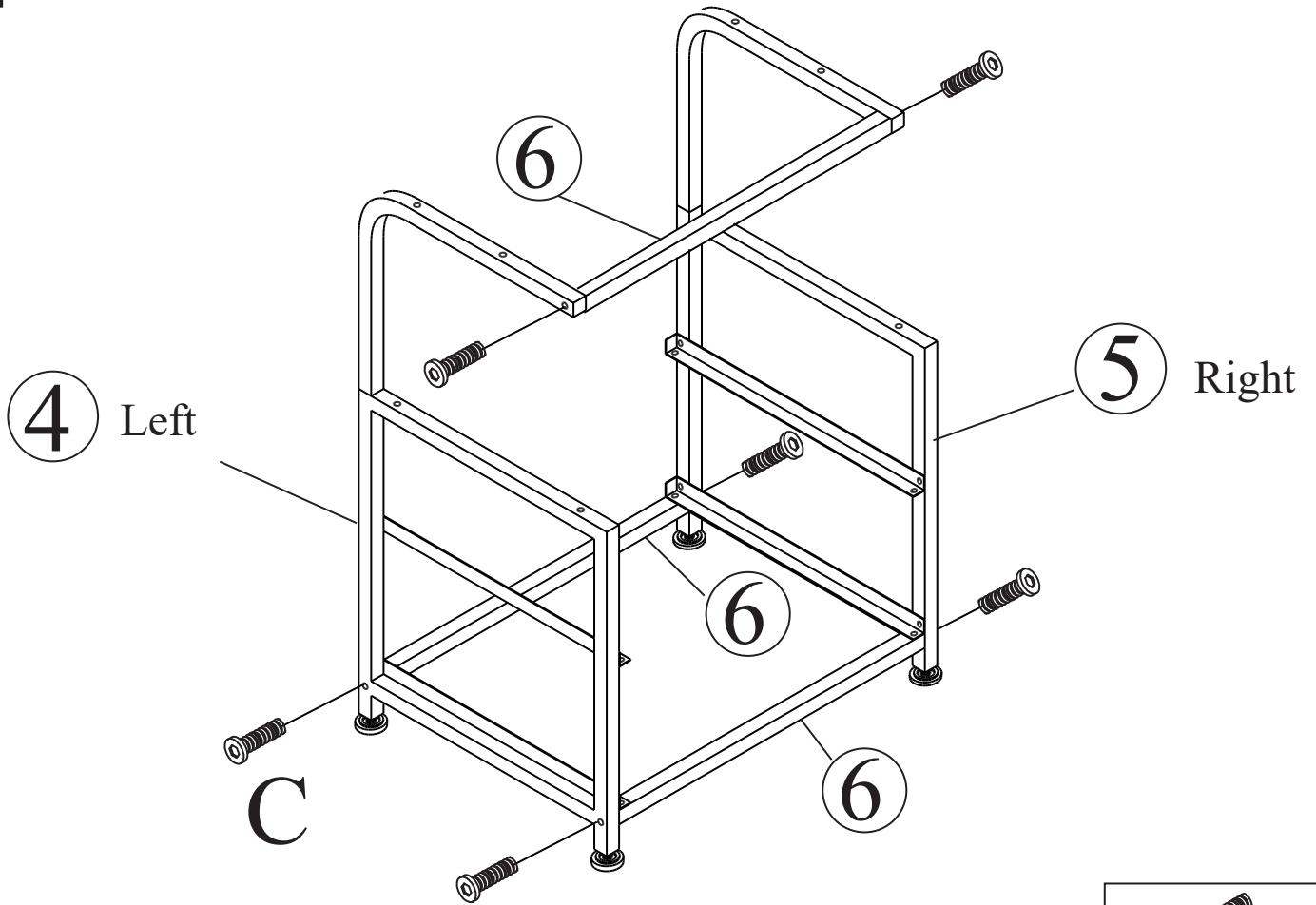
	
E	M6*10 x4

3



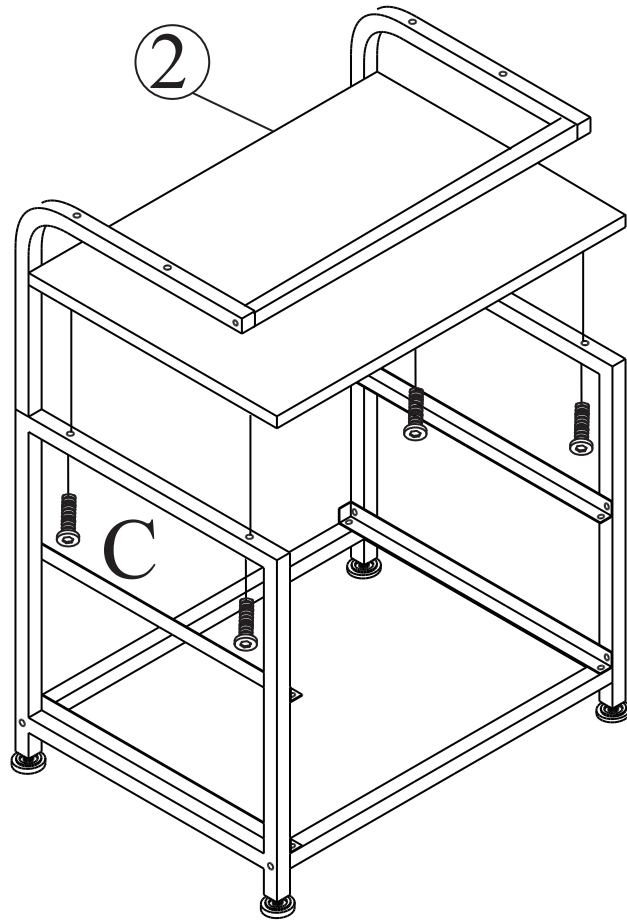

D M4*10 x8

4



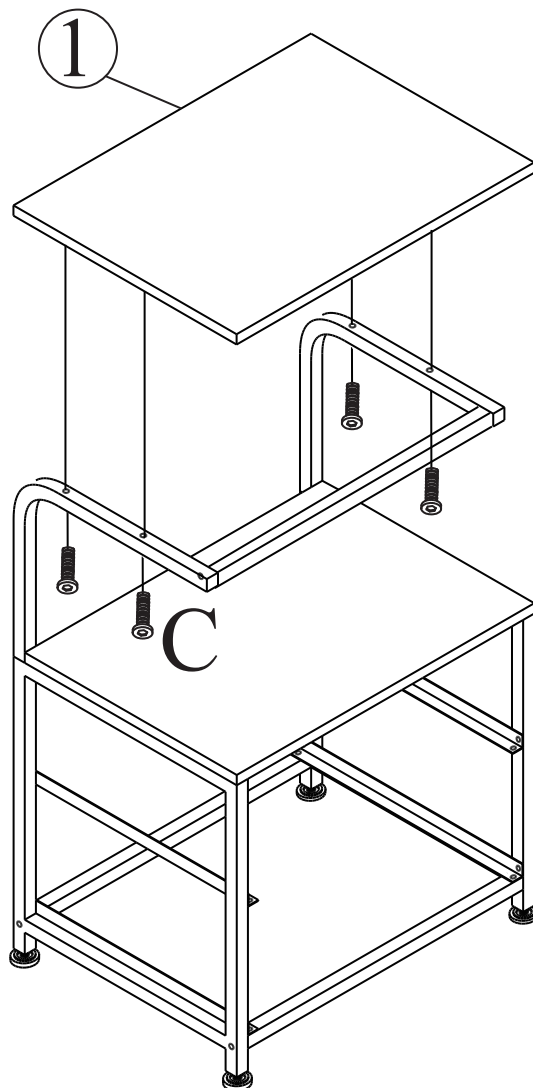

C M6*23 x6

5



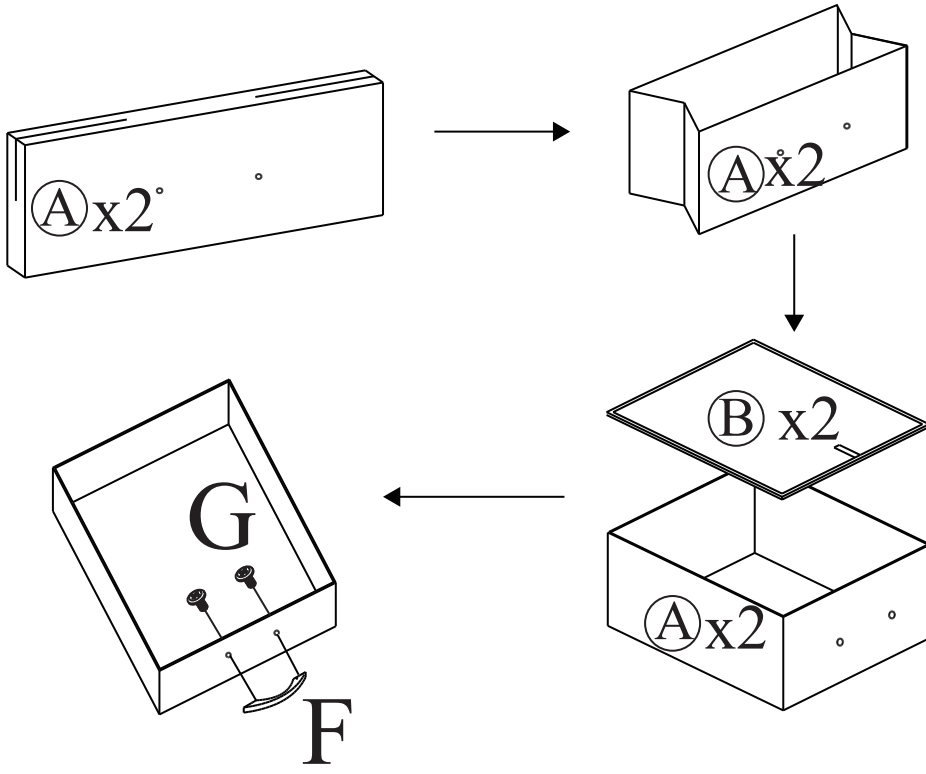
C M6*23 x4

6



C M6*23 x4

7



	
F x2	G x4

8

