

ENDING

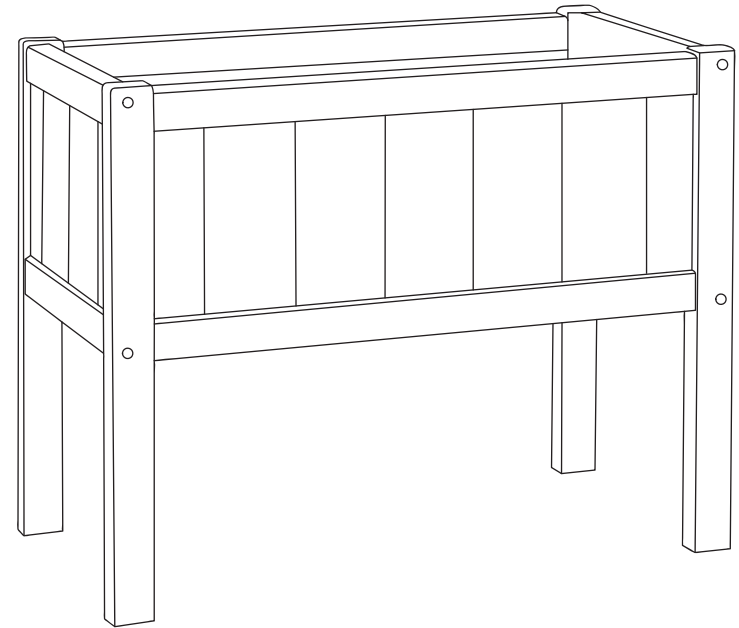
If you are not entirely satisfied with your purchase, please feel free to contact us.

Using the following steps:

1. Go to Your Orders.
2. Find your order in the list.
3. Select Problem with order.
4. Choose your topic from list displayed.
5. Select Contact seller.

You can also download the PDF Installation Manual from the Product guides and documents section of the advertising page.

PLANTER BOX



INSTALLATION MANUAL

MATERIAL:HDPE

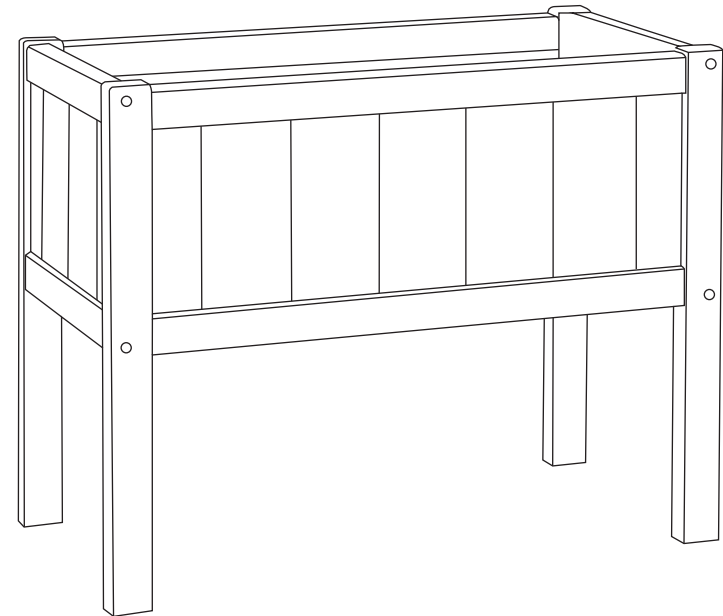
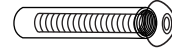
IMPORTANT NOTICE

We recommend 1 or more people to install.

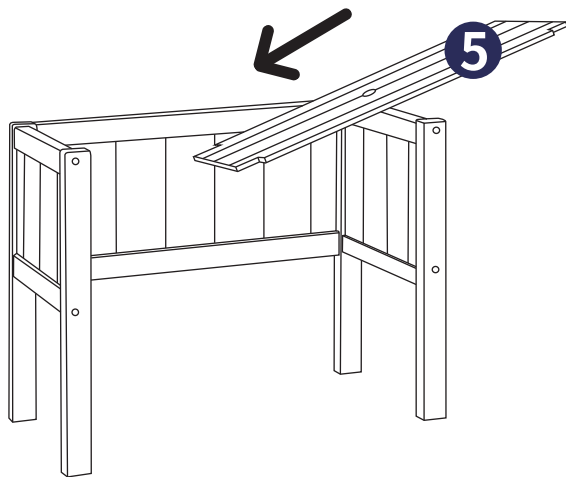
- CHOKING HAZARD -- Small parts. Not for children under 3 yrs.
- We recommend wearing protective gloves.
- Do not stand on or use any part of this item as a step ladder.
- Firmly secure all bolts, screws and knobs before use.
- Reconfirm that all bolts, screws, and knobs are secure every 90 days.
- Fasten screws loosely during initial assembly. Do not firmly tighten the screws until the item incompletely assembled.
- Keep away from fire or other heat sources.
- Be aware that some parts are heavy and have sharp edges.
- Please follow the instruction manuals and use a pad to avoid damage during assembly.
- Warm Tips: Please don't sit or stand on the side table.

FINISHED

Rotate 100% all bolts in Step 1234

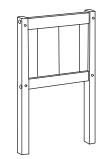


STEP 3



PARTS LIST

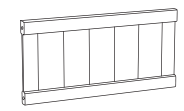
1 x 1pc
Left Board



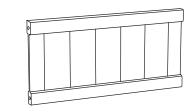
2 x 1pc
Right Board



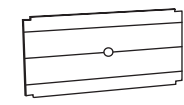
3 x 1pc
Back Board





4 x 1pc
Front Board

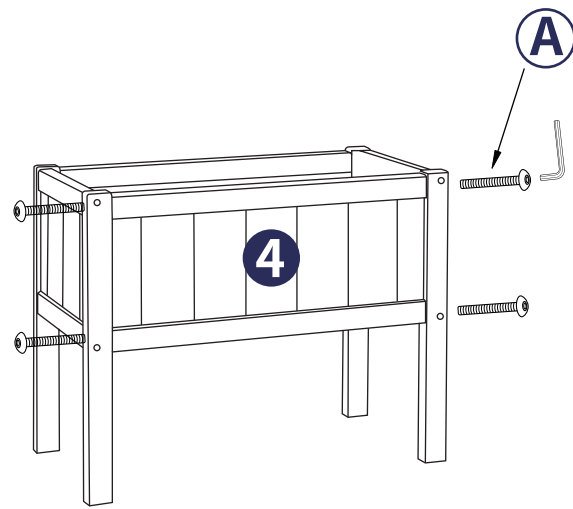
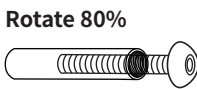


5 x 1pc
Base Board



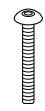
STEP 4

- A  x 4
- B  x 1



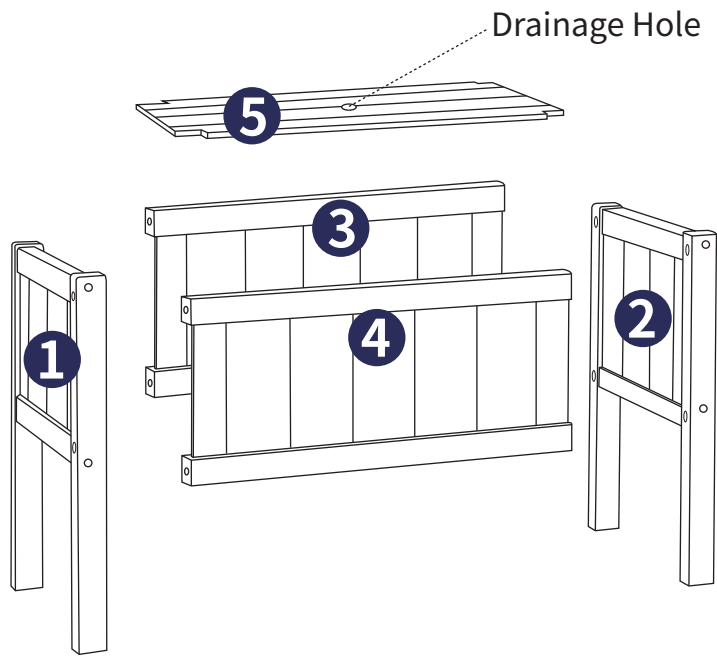
HARDWARE LIST


A x 8+1pcs
M6 x 60mm




B x 1pc
Allen Wrench








**Weather
Resistant**





**150
LBS**

**150 LBS
Load-bearing**

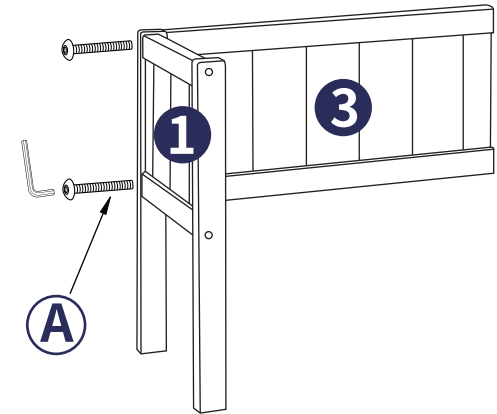
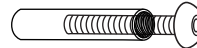


**Install
Quickly**



STEP 1

- A  x 2
- B  x 1

Rotate 80%



STEP 2

- A  x 2
- B  x 1

Rotate 80%

