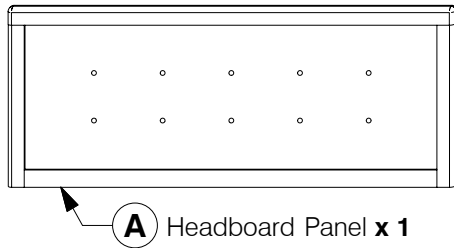


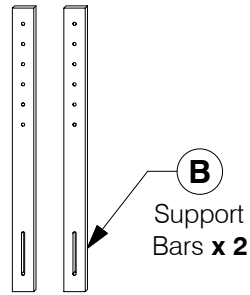
Full / Queen Headboard

Assembly Instructions

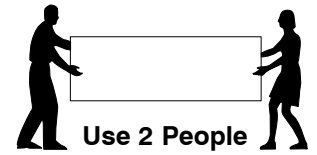
1 Parts List



A Headboard Panel x 1



B
Support
Bars x 2



2 Hardware List



1 M6 x 35mm JCB
x 4



2 Spring Washer
x 4



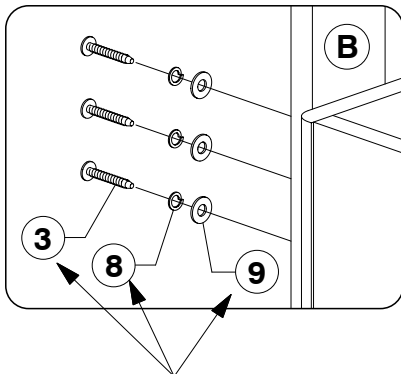
3 Flat Washer
x 4



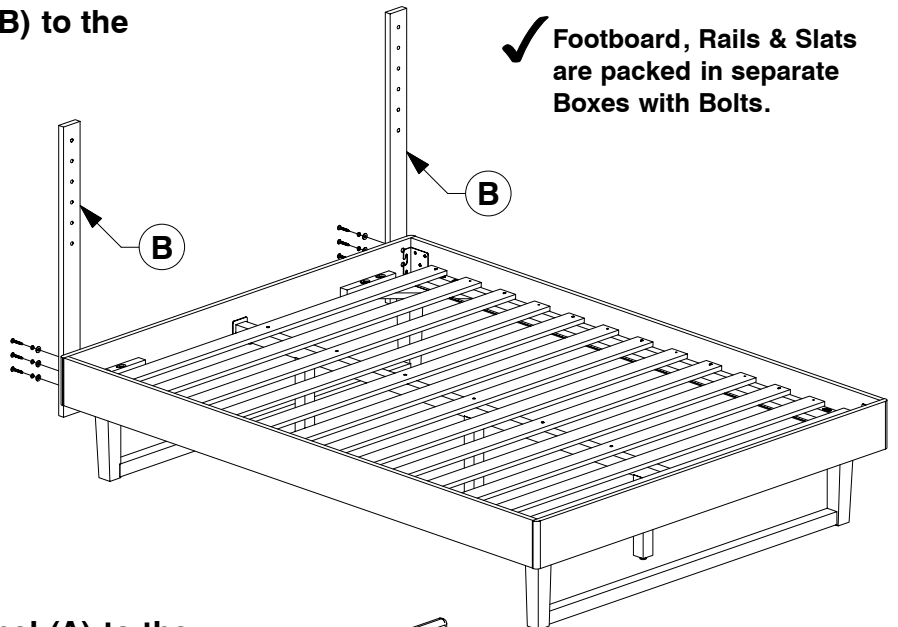
4 Allen Key
x 1

Note: Do not assemble
using power tools.
This can cause the bolts
to be overtightened

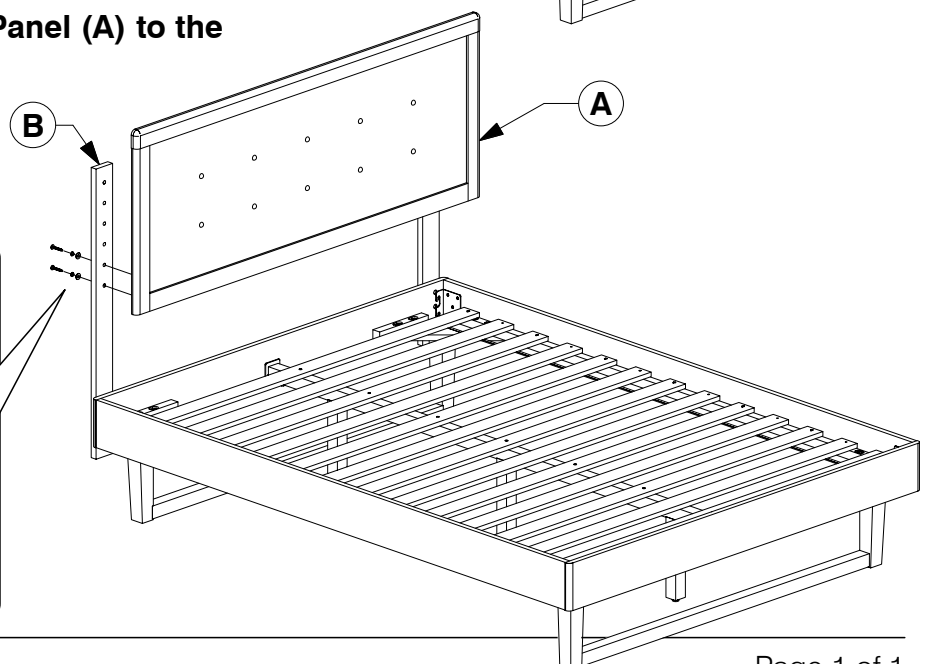
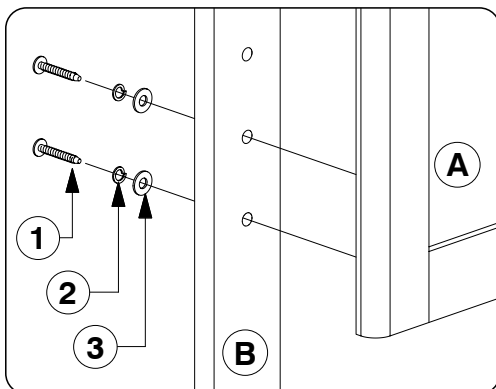
3 Assemble the Support Bars (B) to the Headboard Panel.



*Note: Bolts & Washers from
Footboard, Rails & Slats Box.*



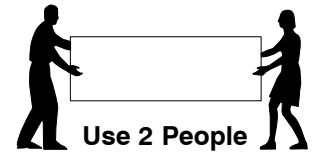
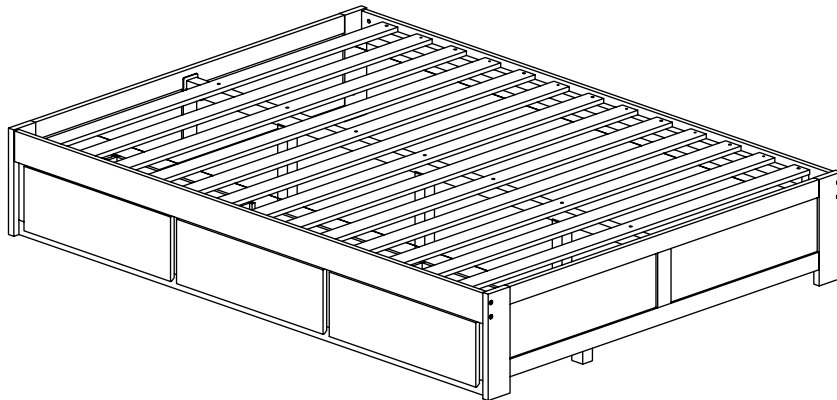
4 Assemble the Headboard Panel (A) to the Support Bars (B).



Full Bed

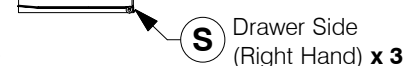
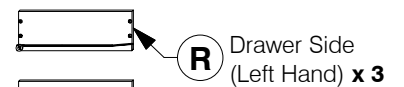
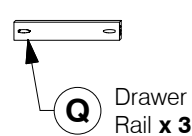
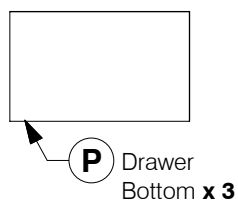
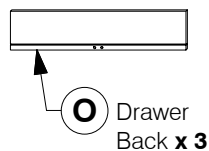
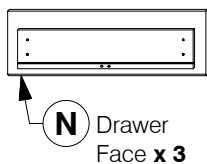
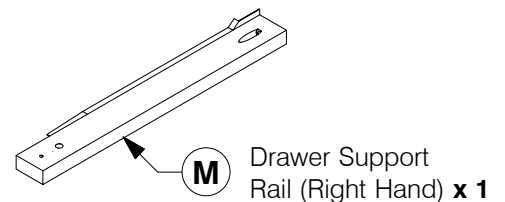
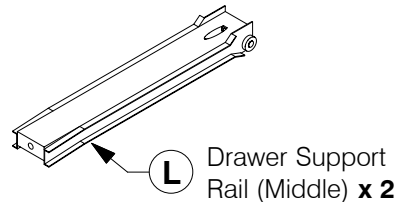
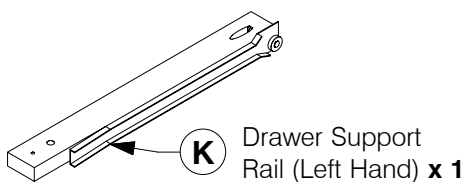
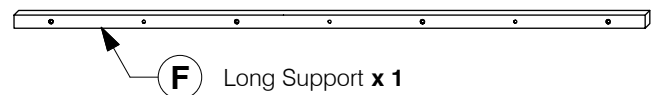
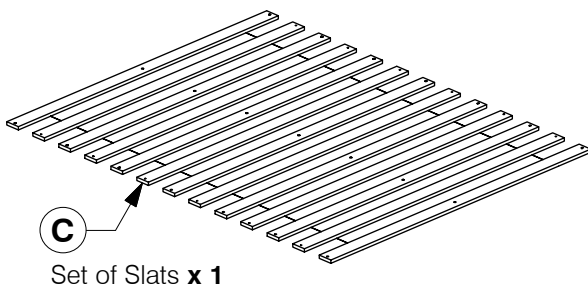
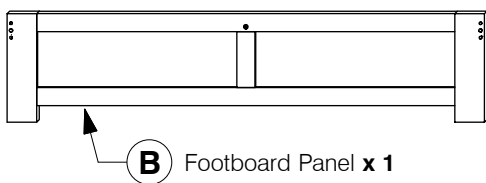
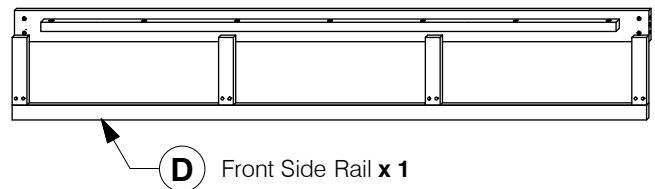
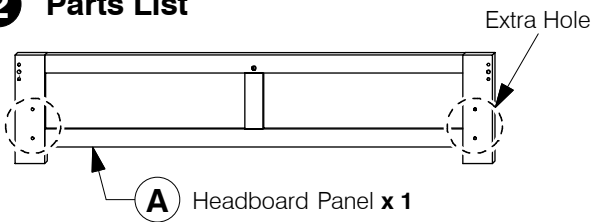
Assembly Instructions

1 Assembled View



Note: Do not assemble using power tools. This can cause the bolts to be overtightened

2 Parts List



Full Bed

Assembly Instructions

3 Hardware List



1 M6 x 100mm JCB
x 3



2 M6 x 70mm JCB
x 8



3 M6 x 40mm JCB
x 26



4 M6 x 15mm JCB
x 4



5 Wood Dowel
(10 x 40mm) x 4



6 Wood Dowel
(8 x 30mm) x 8



7 Wood Dowel
(6 x 25mm) x 12



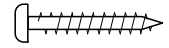
8 Barrel Nut
x 11



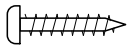
9 Spring
Washer x 4



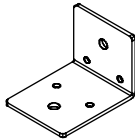
10 Flat Washer
x 4



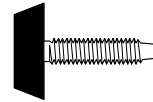
11 Wood Screw
(M4 x 32mm) x 18



12 Wood Screw
(M4 x 25mm) x 30



13 Center Rail
Bracket x 2

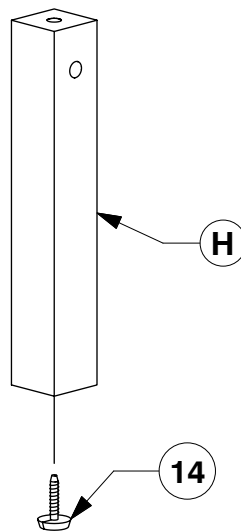


14 Adjustable
Foot x 3



15 Allen Key
x 1

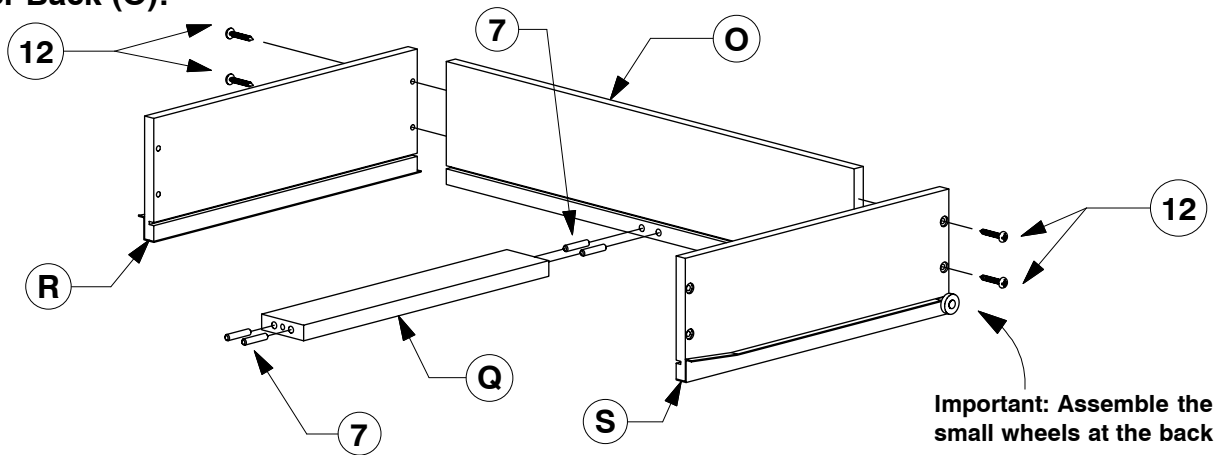
4 Fix the Adjustable foot to the bottom of the Support Legs (H).



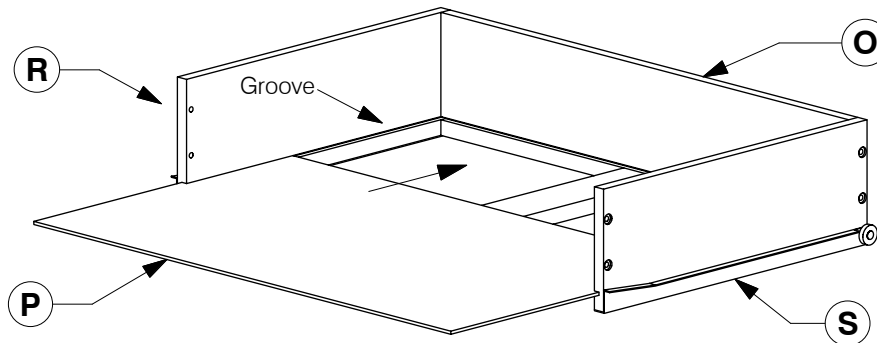
Full Bed

Assembly Instructions

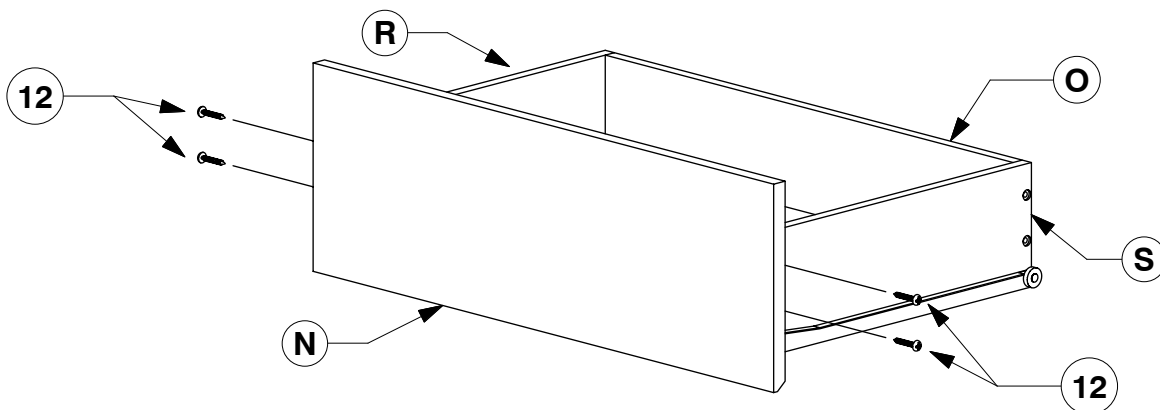
- 5** Assemble the Drawer Sides (R & S) and Drawer Rail (Q) to the Drawer Back (O). Make sure the small wheels on the Drawer Sides (R & S) are next to the Drawer Back (O).



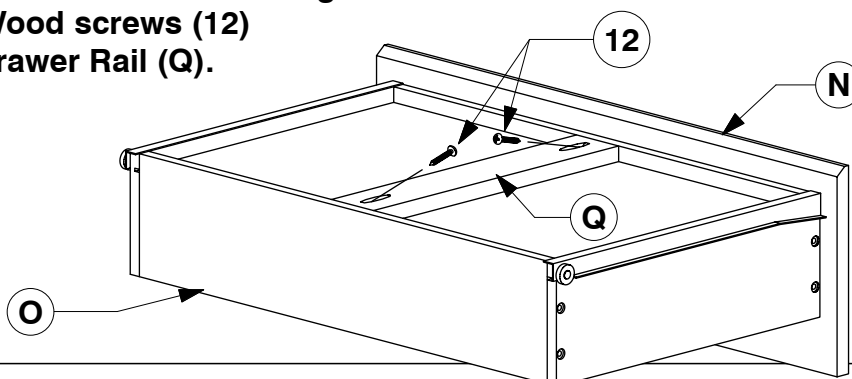
- 6** Slide the Drawer Bottom (P) into the groove on the Drawer Sides (R & S).



- 7** Assemble the Drawer Face (N) to the Drawer Sides (R & S).



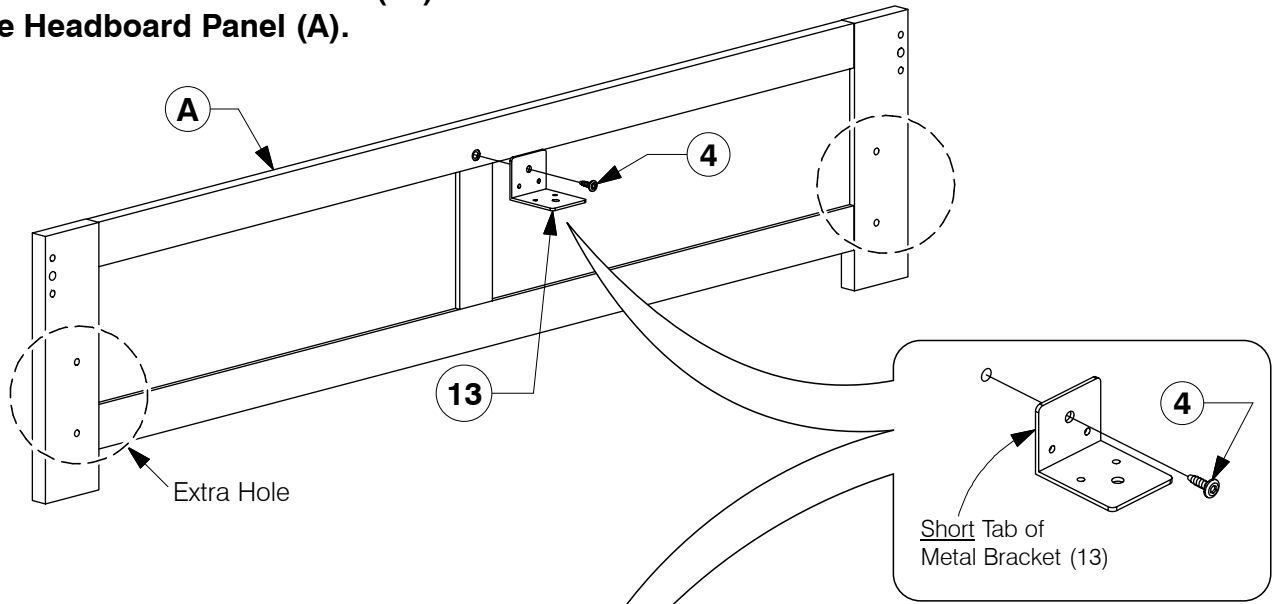
- 8** Turn the Drawer over to fit angled 25mm Wood screws (12) to the Drawer Rail (Q).



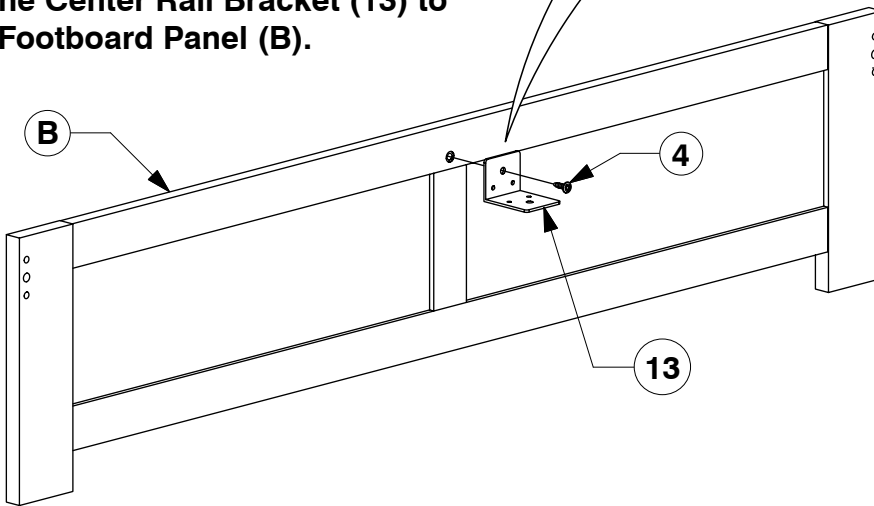
Full Bed

Assembly Instructions

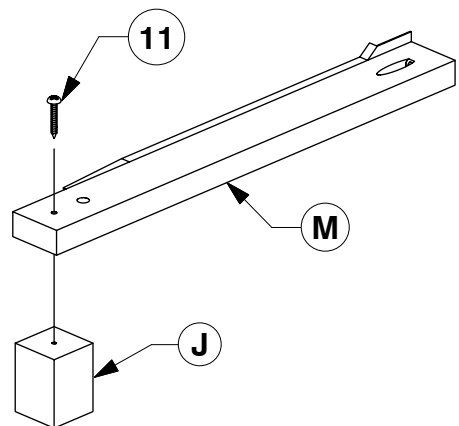
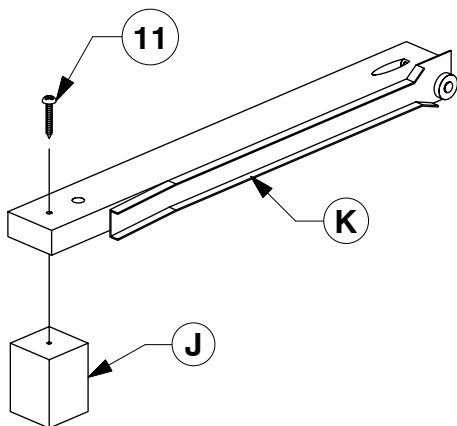
- 9** Fit the Center Rail Bracket (13) to the Headboard Panel (A).



- 10** Fit the Center Rail Bracket (13) to the Footboard Panel (B).



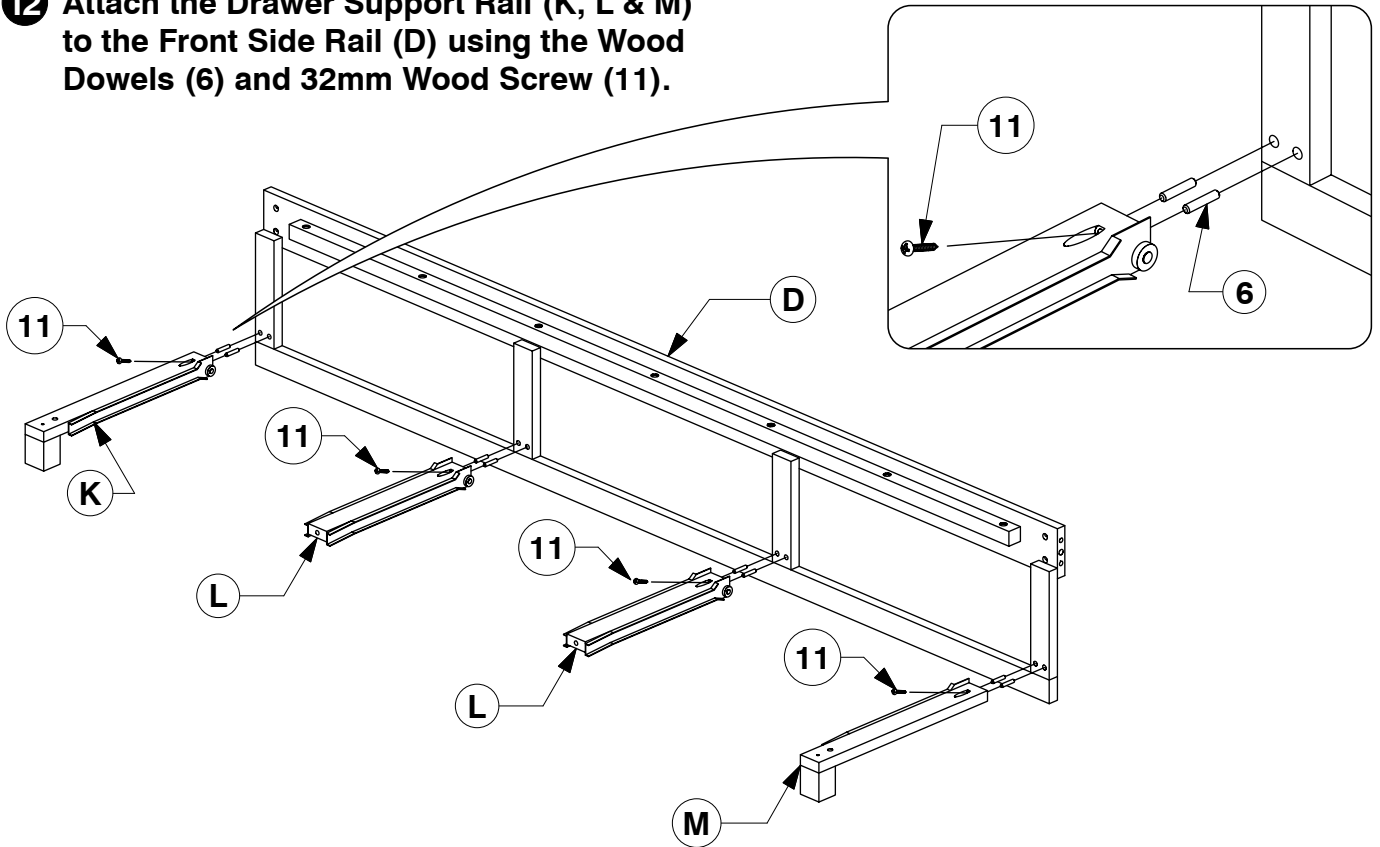
- 11** Assemble the Drawer Support Leg (J) to the Drawer Support Rail (K & M).



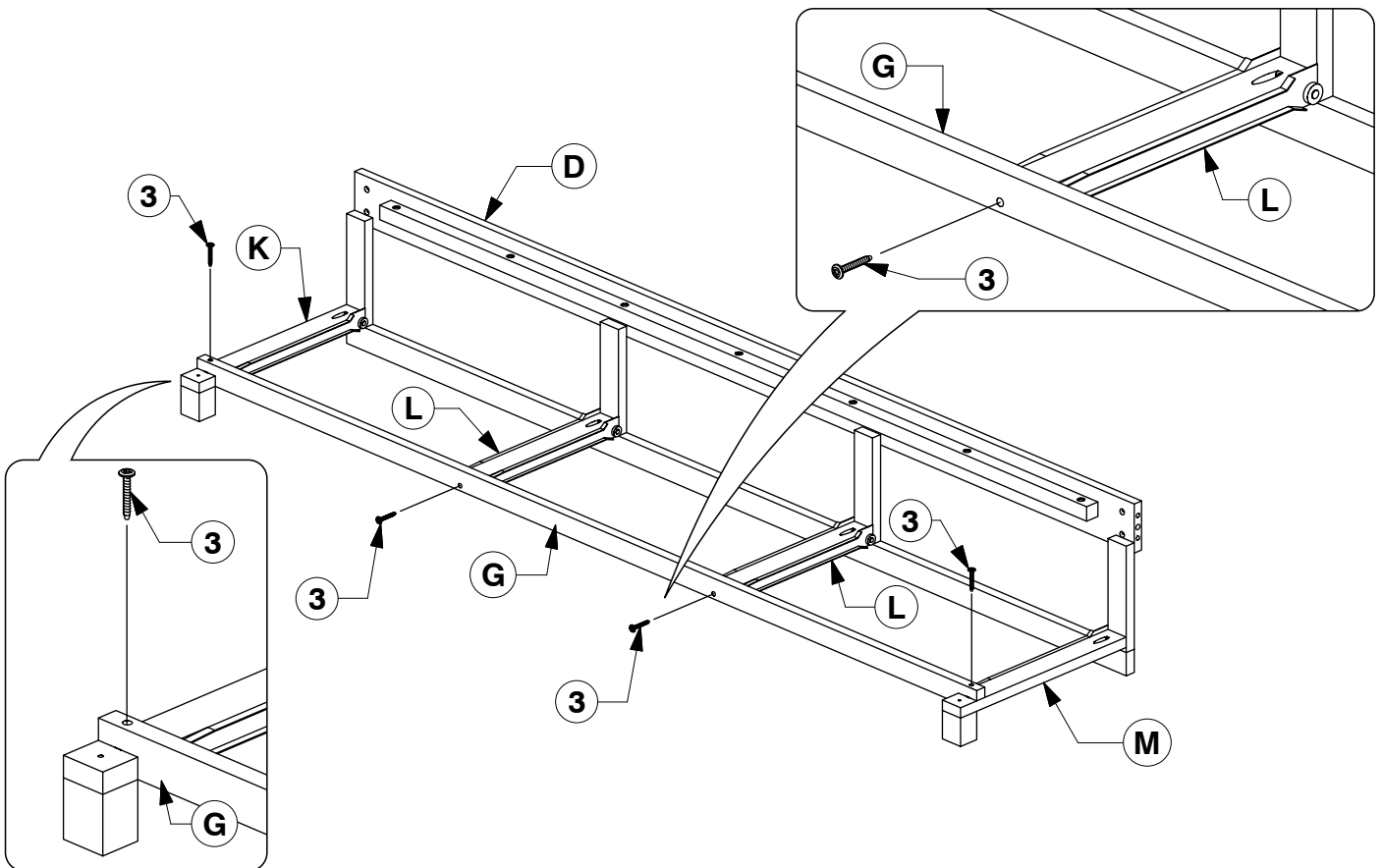
Full Bed

Assembly Instructions

- 12** Attach the Drawer Support Rail (K, L & M) to the Front Side Rail (D) using the Wood Dowels (6) and 32mm Wood Screw (11).



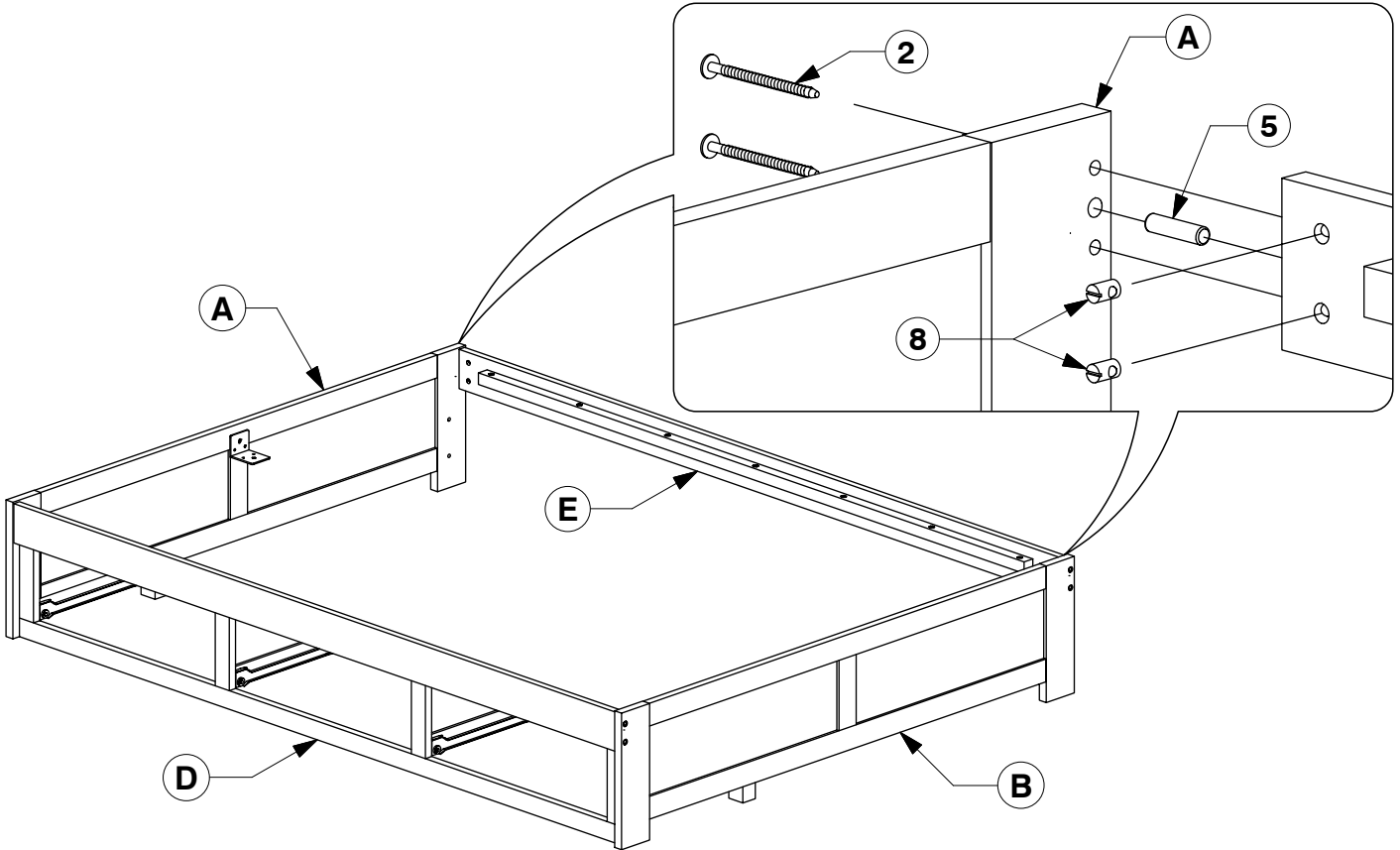
- 13** Bolt the Center Drawer Support (G) to the Drawer Support Rail (K, L & M).



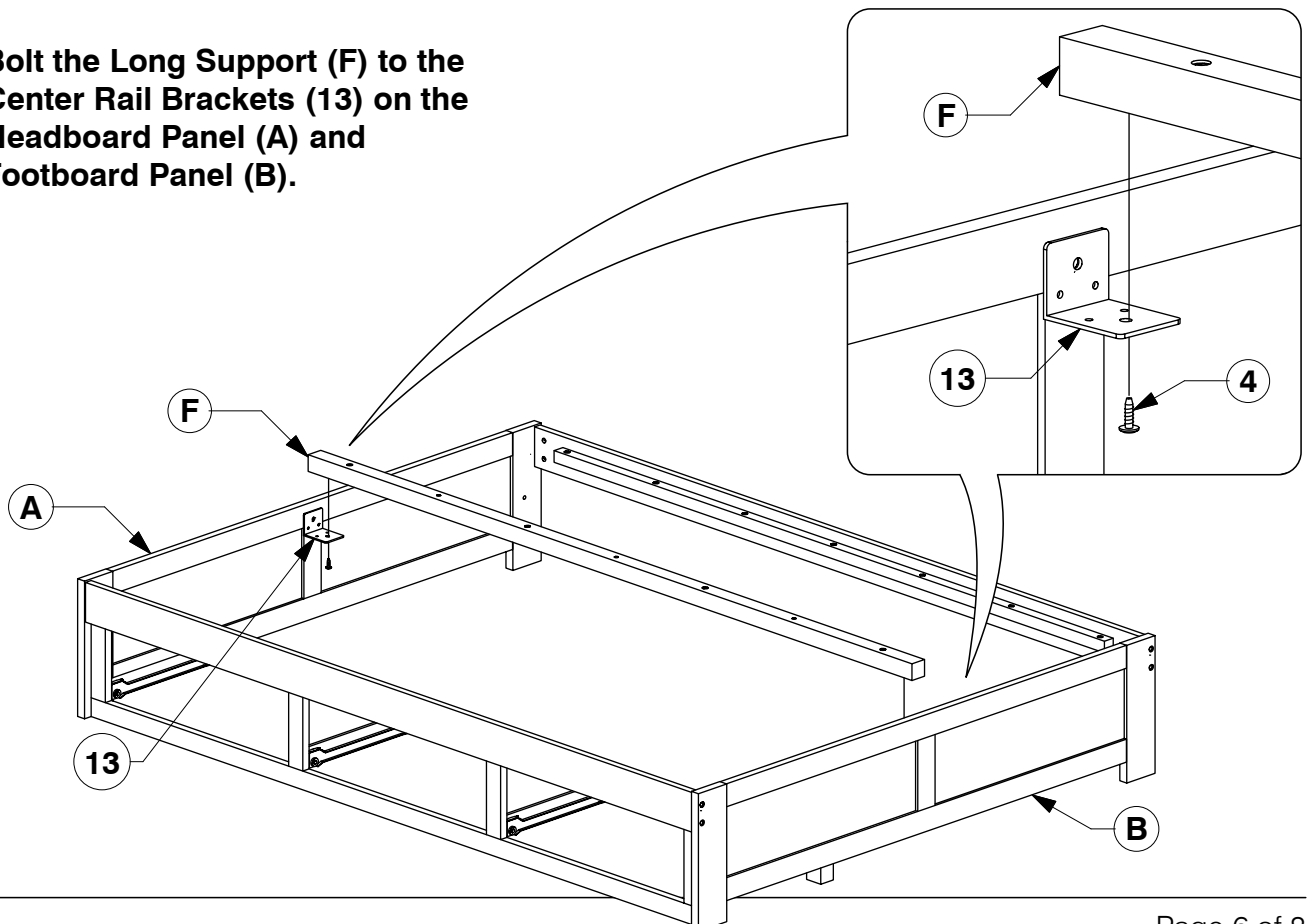
Full Bed

Assembly Instructions

- 14** Assemble the Side Rail (D & E) to the assembled Headboard Panel (A) and Footboard Panel (B).



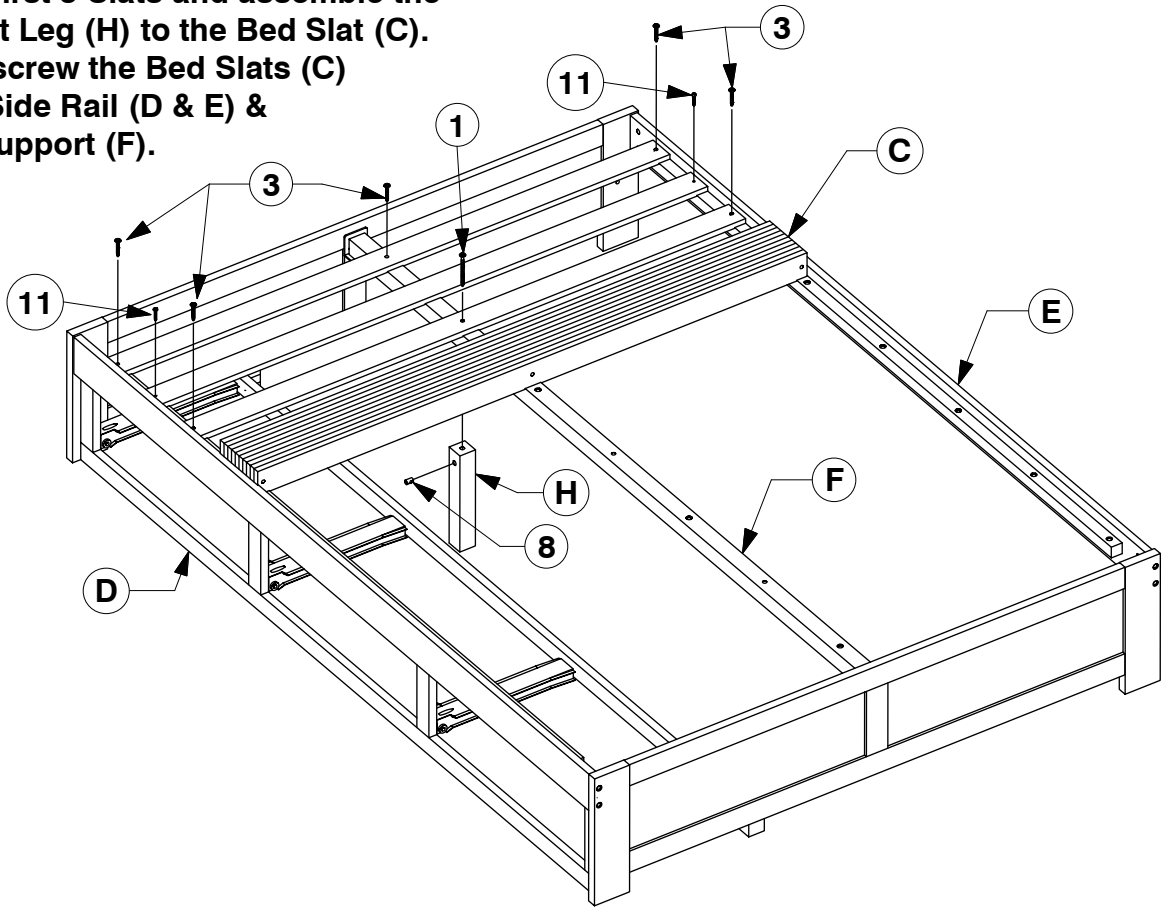
- 15** Bolt the Long Support (F) to the Center Rail Brackets (13) on the Headboard Panel (A) and Footboard Panel (B).



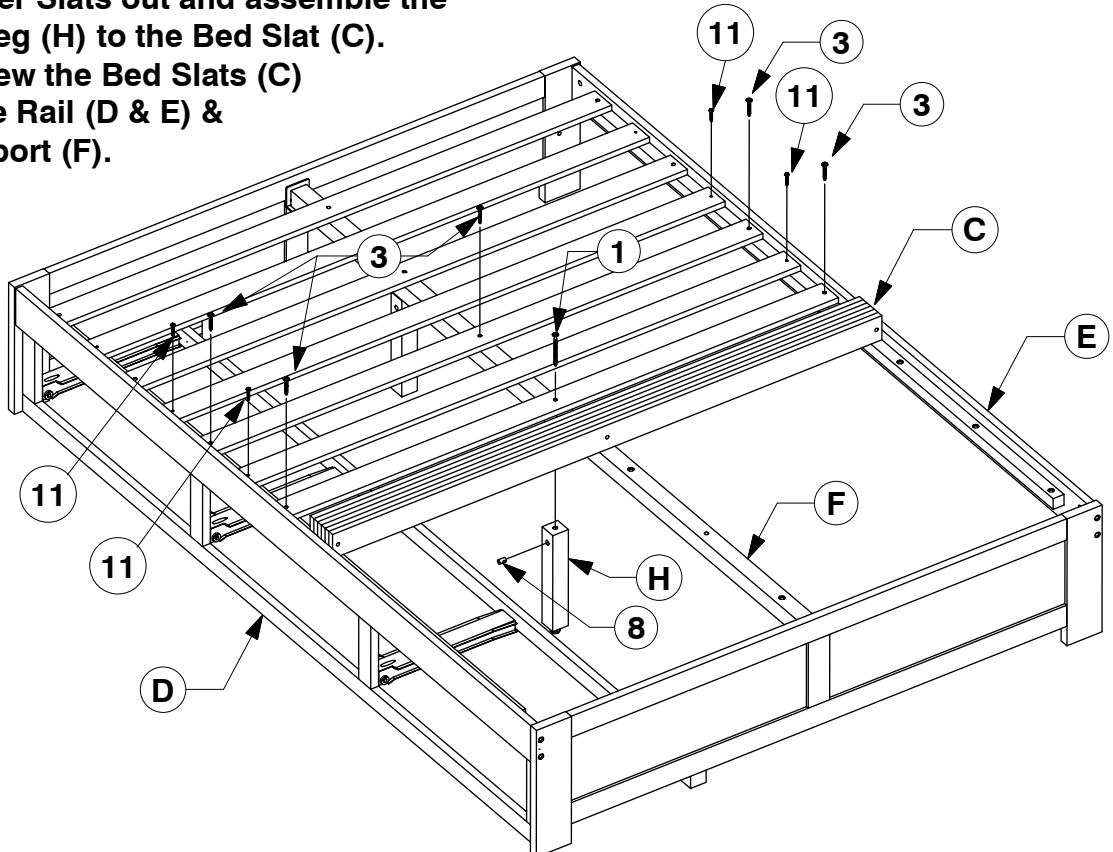
Full Bed

Assembly Instructions

- 16** Fit the first 3 Slats and assemble the Support Leg (H) to the Bed Slat (C). Bolt & screw the Bed Slats (C) to the Side Rail (D & E) & Long Support (F).



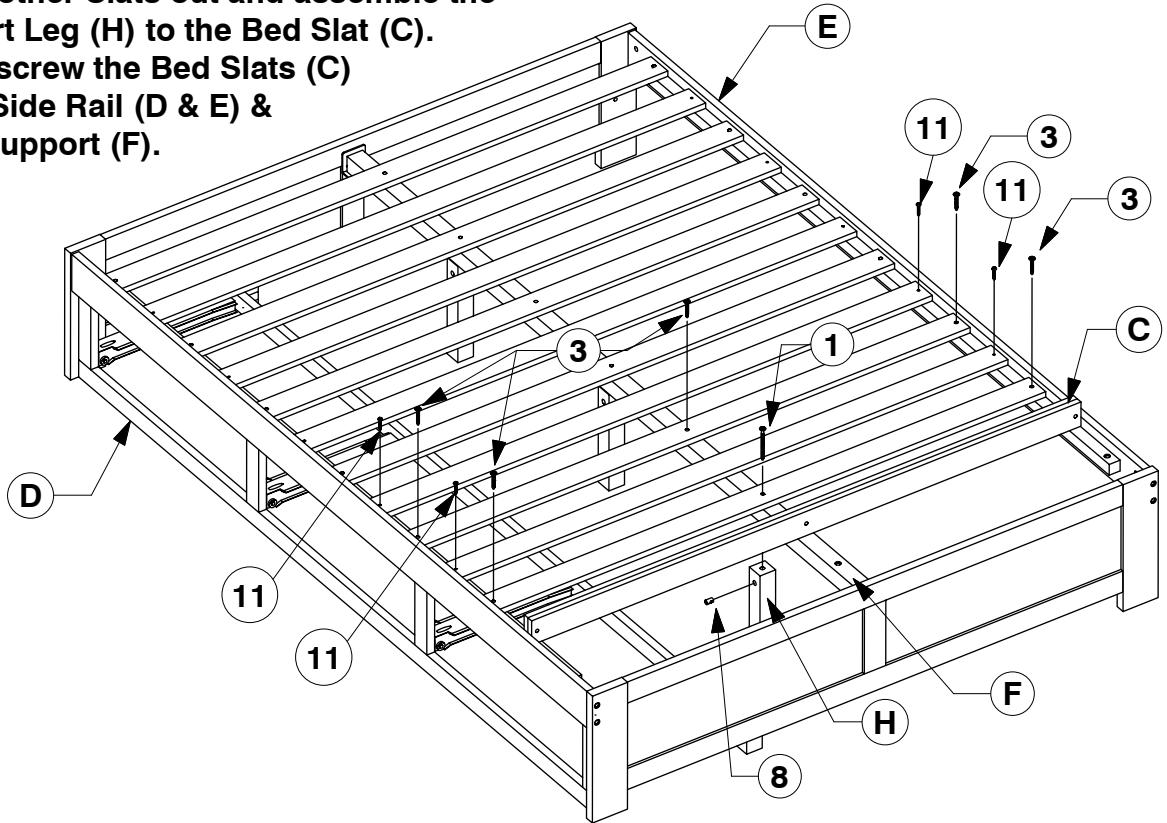
- 17** Fit the other Slats out and assemble the Support Leg (H) to the Bed Slat (C). Bolt & screw the Bed Slats (C) to the Side Rail (D & E) & Long Support (F).



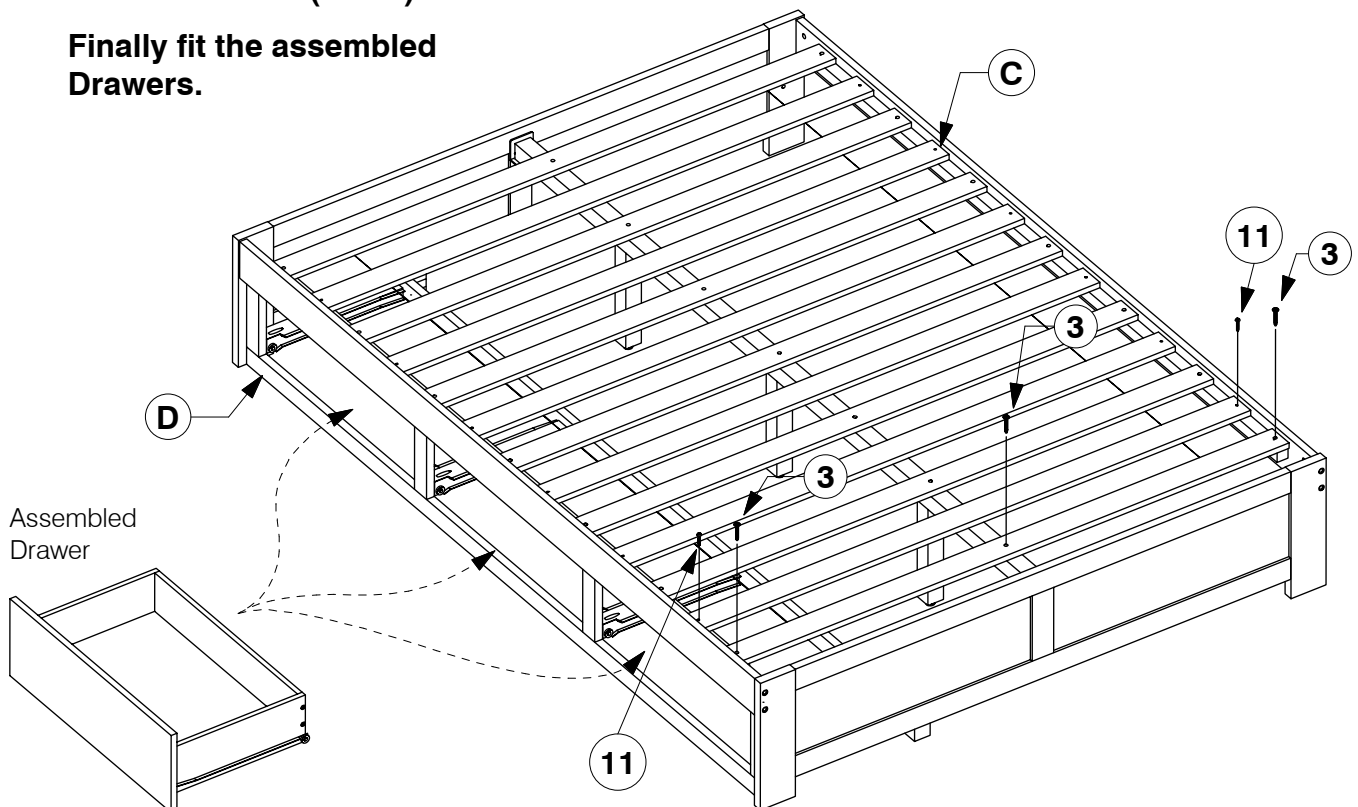
Full Bed

Assembly Instructions

- 18** Fit the other Slats out and assemble the Support Leg (H) to the Bed Slat (C). Bolt & screw the Bed Slats (C) to the Side Rail (D & E) & Long Support (F).



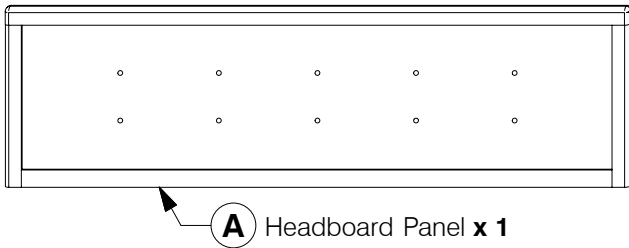
- 19** Bolt & screw the remaining Bed Slats (C) to the Side Rail (D & E).
Finally fit the assembled Drawers.



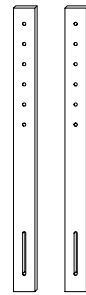
King Headboard

Assembly Instructions

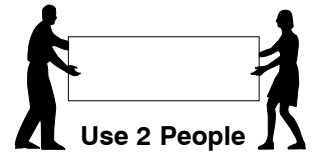
1 Parts List



A Headboard Panel x 1



B
Support
Bars x 2



2 Hardware List



1 M6 x 35mm JCB
x 4



2 Spring Washer
x 4



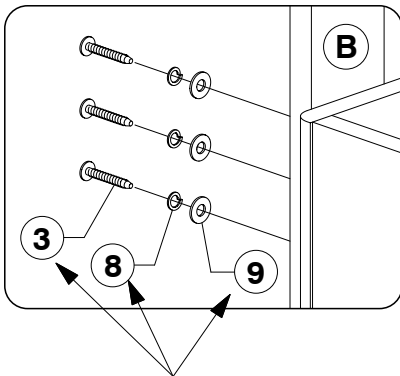
3 Flat Washer
x 4



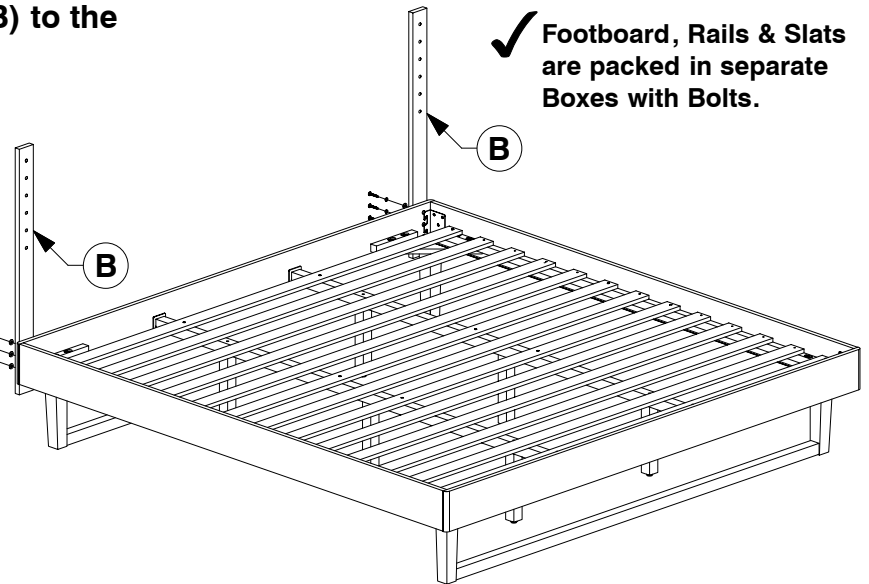
4 Allen Key
x 1

Note: Do not assemble
using power tools.
This can cause the bolts
to be overtightened

3 Assemble the Support Bars (B) to the Headboard Panel.



*Note: Bolts & Washers from
Footboard, Rails & Slats Box.*



4 Assemble the Headboard Panel (A) to the Support Bars (B).

