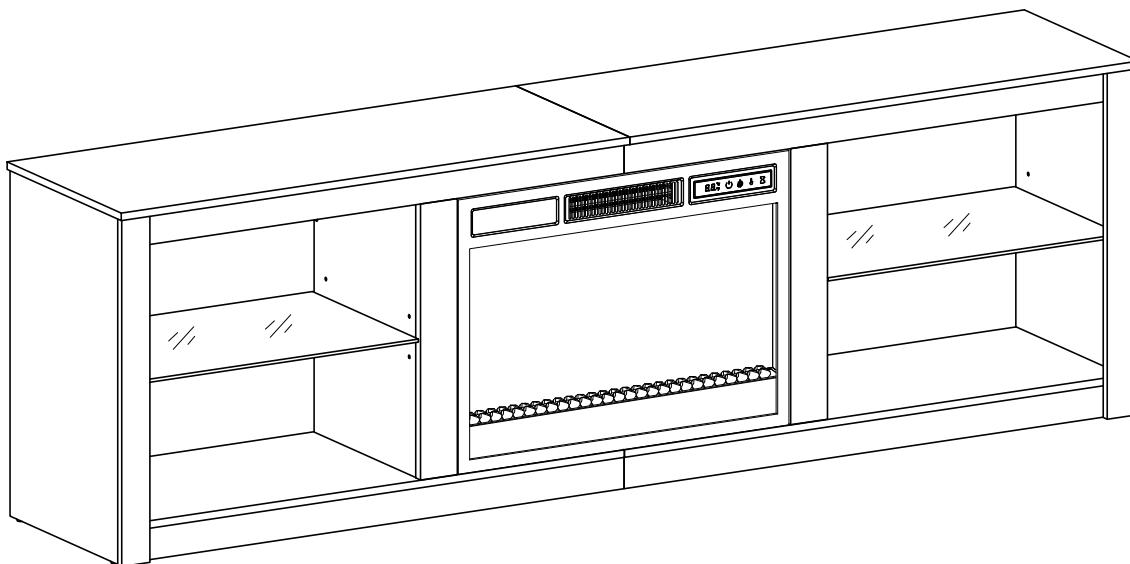


Bestier

**ASSEMBLY
INSTRUCTION**

V001-041126-GO



Know more about Bestier from



CUSTOMER SUPPORT

CONTACT US BY:
PHONE: 888-666-1086
EMAIL: Service@bestier.net

Thanks for choosing Bestier!
Feel free to contact us if you need any help.
Please kindly share your shopping experience
with us on the platform if you are satisfied with it.

HELPFUL HINTS

⚠️ BEFORE YOU START

- Inspect product packaging to ensure the appearance is good.
- Read the assembly instruction carefully and follow it step by step.
- To avoid any scratching, putting a soft blanket on the floor is suggested.
- Identify, sort and count all the parts with tags.
- Find out installation position according to the drawing and install it in correct steps.



OTHER

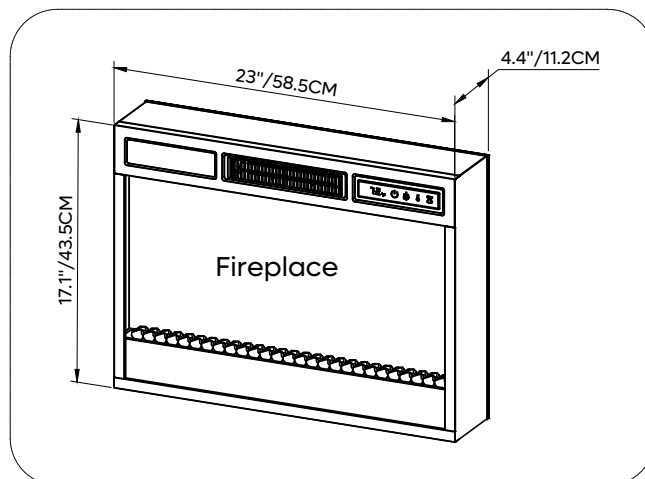
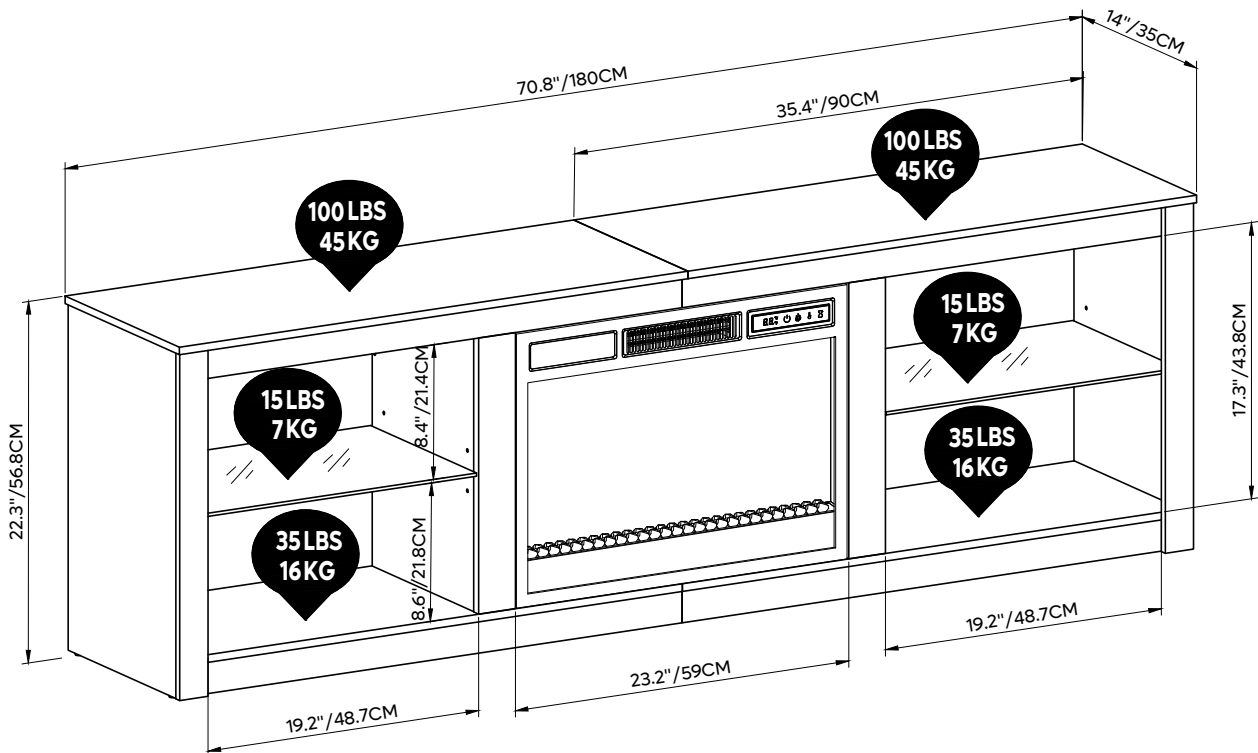
- People needed for assembly: 1-2.
- Estimated assembly time: 1-1.5h.

⚠️ CAUTION

- Be cautious when using a power drill or power screwdriver.
- Please be aware to slow down and stop when screw is nearly tight.
- Do Not use any harsh chemicals or abrasive cleaners for this item.
- Push, pull or drag this item carefully.

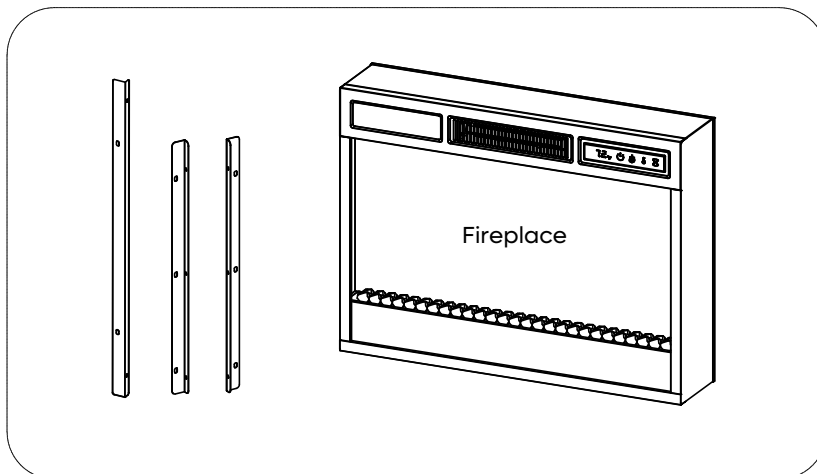
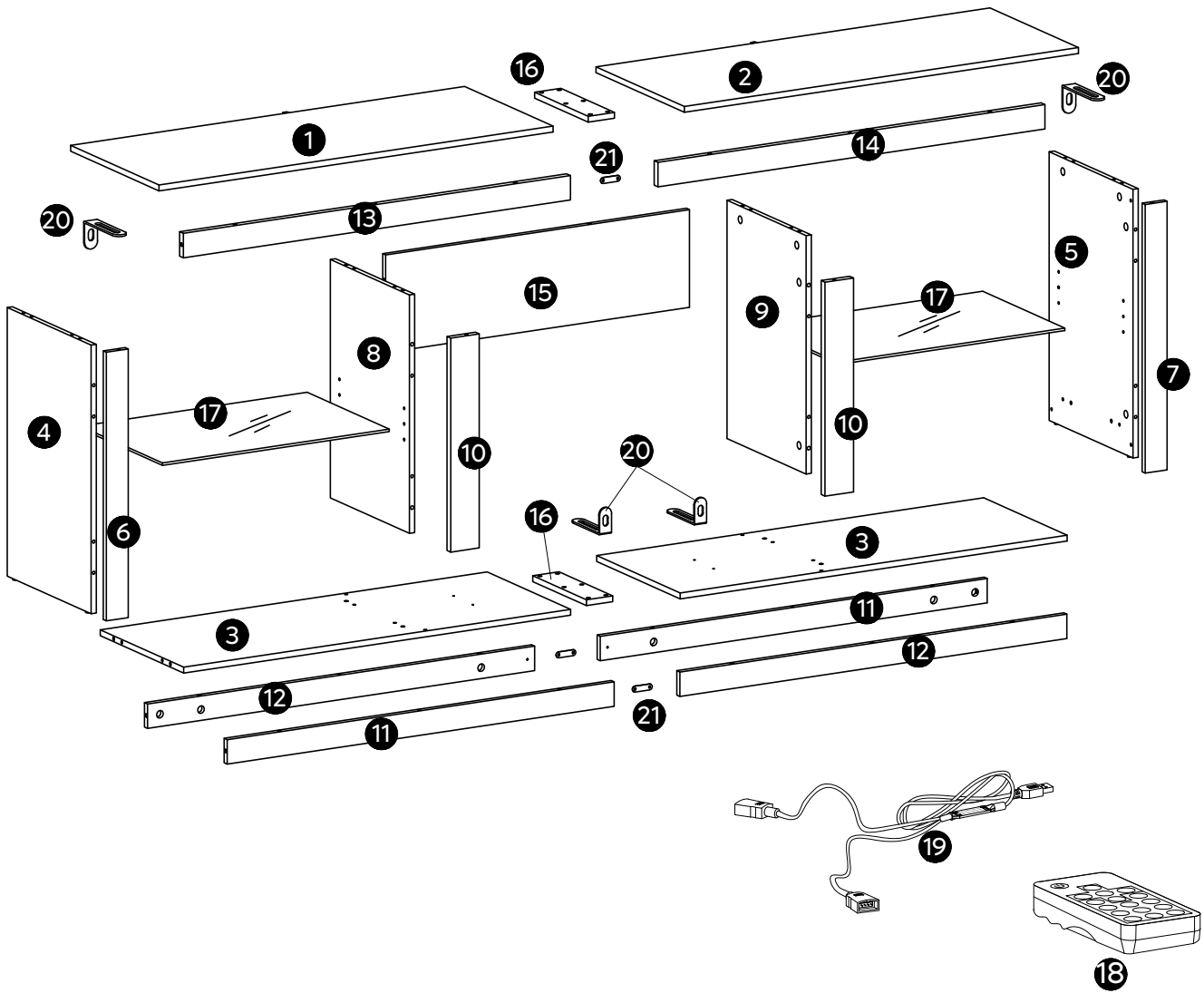
Dimensions & Weight Capacity

UNIT: INCH/CM



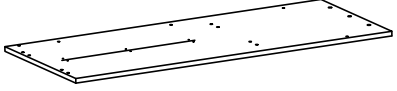
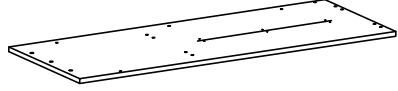
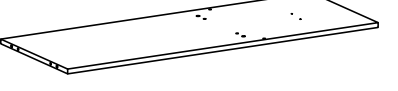
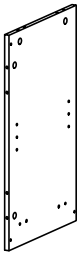
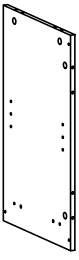


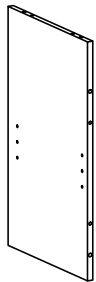
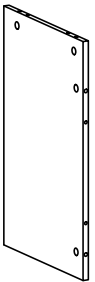





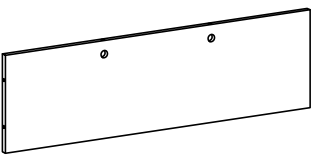
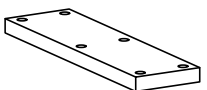

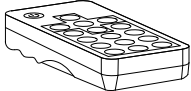
DETAILS

Not actual size



PART LIST

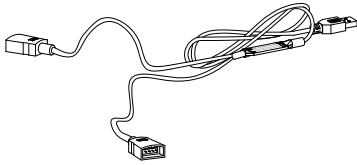
Not actual size

1  X1	2  X1	3  X2
4  X1	5  X1	6  X1
7  X1	8  X1	9  X1
10  X2	11  X2	12  X2
13  X1	14  X1	15  X1
16  X2	17  X2	18  X1

PART LIST

Not actual size

19



X1

20



X4

21



X3

22 LED-005A-400*2

22A

X2



22B

X6



22C

X13



ST3.5x10mm

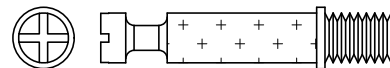
ACCESSORY LIST

Not actual size

A

ST6x33mm

40+2



B

Ø15mm

40+2



C

Ø6x30mm

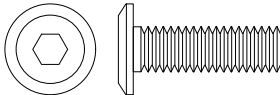
36+4



D

Ø1/4"x20mm

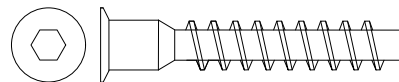
12+1



E

ST6x40mm

8+1



F

ST3.5x10mm

22+1



G

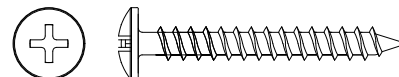
8



H

ST4x35mm

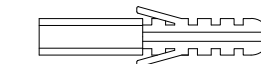
2



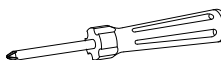
I

Ø8mm

2



1



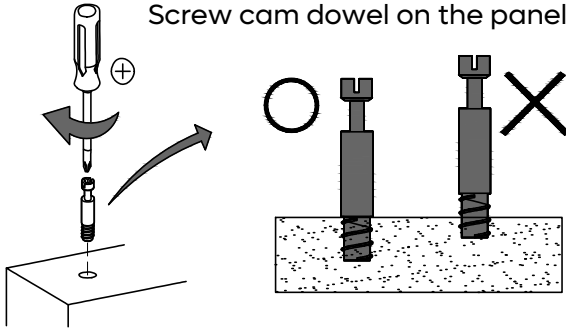
1



Detailed Installation for Accessory A B

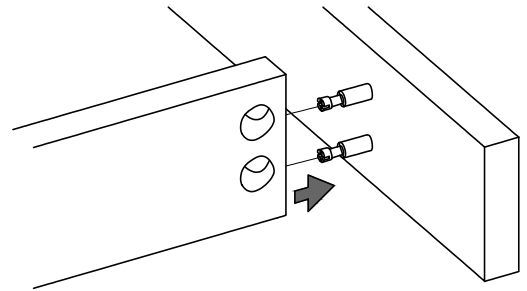
1

Screw cam dowel on the panel.



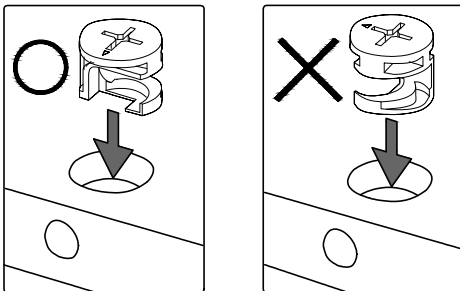
2

Place another panel via the dowel.



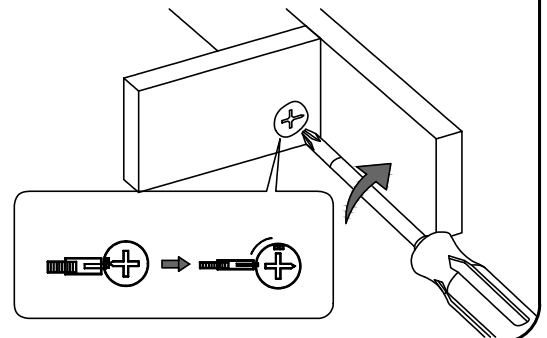
3

Pay attention to the direction of cam lock when putting it into hole.



4

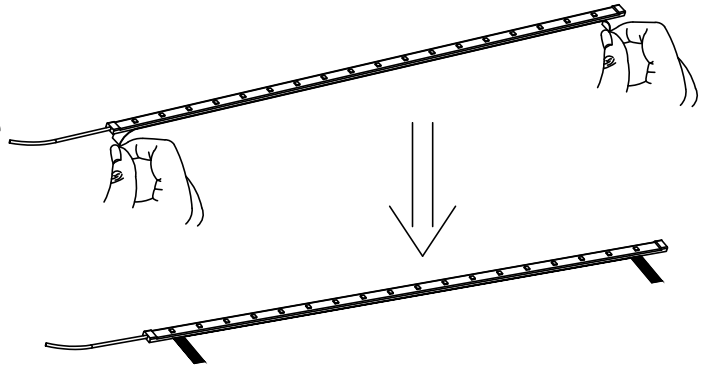
Tighten up cam lock clockwise until it stops.



Detailed Installation for LED Strip

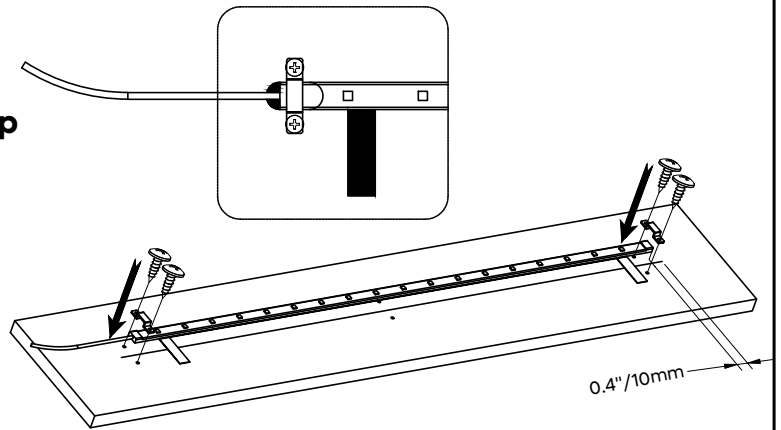
1

- Remove about 25mm (1") of adhesive tape at both ends of LED light strip.



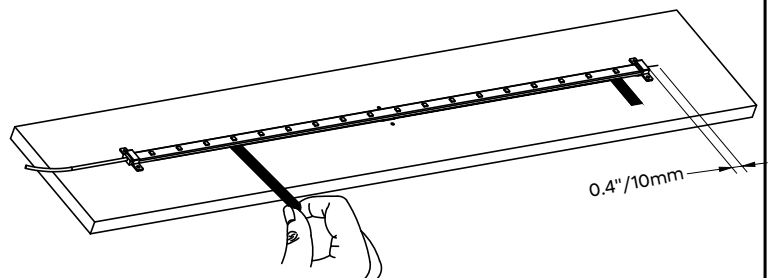
2

- The head and tail of the LED light strip are pasted in a straight line, and the fixing parts at both ends are locked with screws.



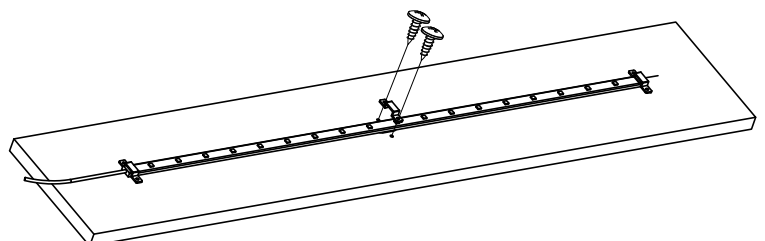
3

- Tear off the whole protective paper, and flatten the strip light so that the LED light strip is completely adhered to the wood.

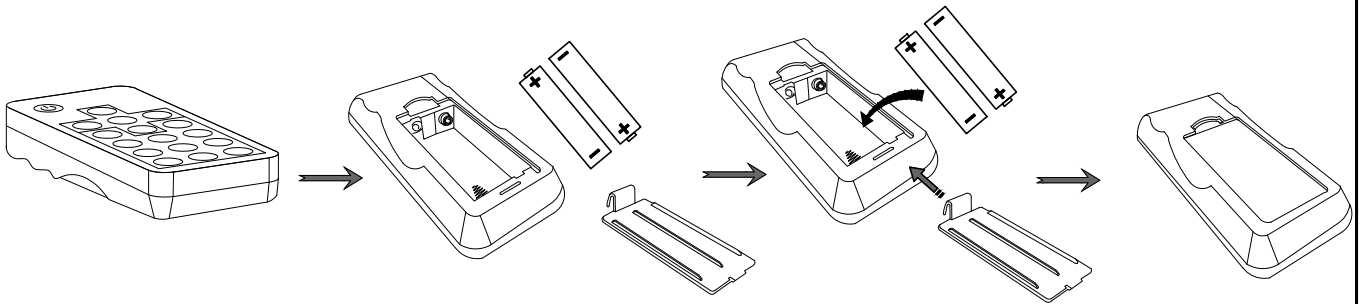


4

- Lock the remaining fixings.



※Remote control battery installation procedure

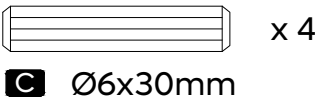
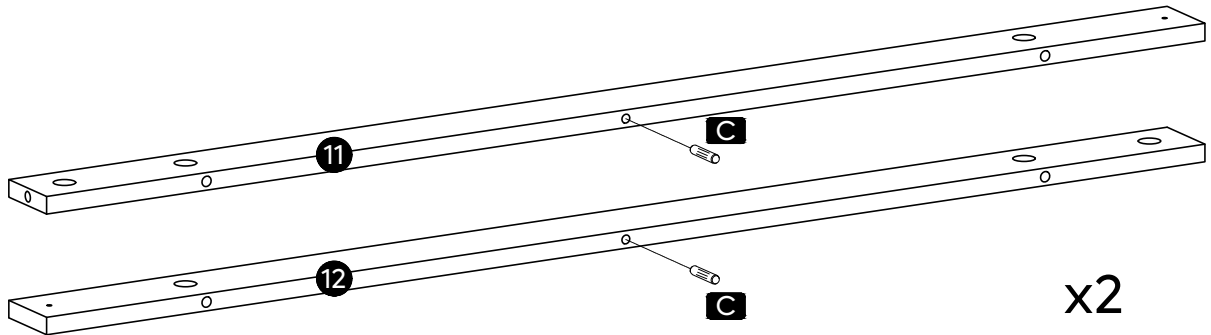


1. The battery compartment is located on the back end of the remote control.
2. Press and slide the battery door open.
3. Insert 2 AAA batteries, checking that the + and - sides of the battery match inside the battery compartment.
4. Replace the battery compartment door.
5. Batteries are not included in the package due to safety transportation.

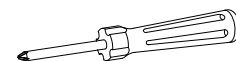
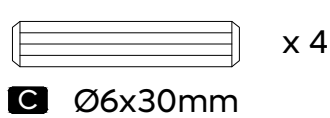
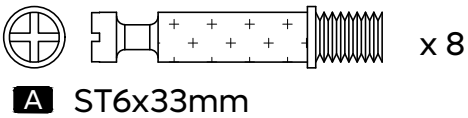
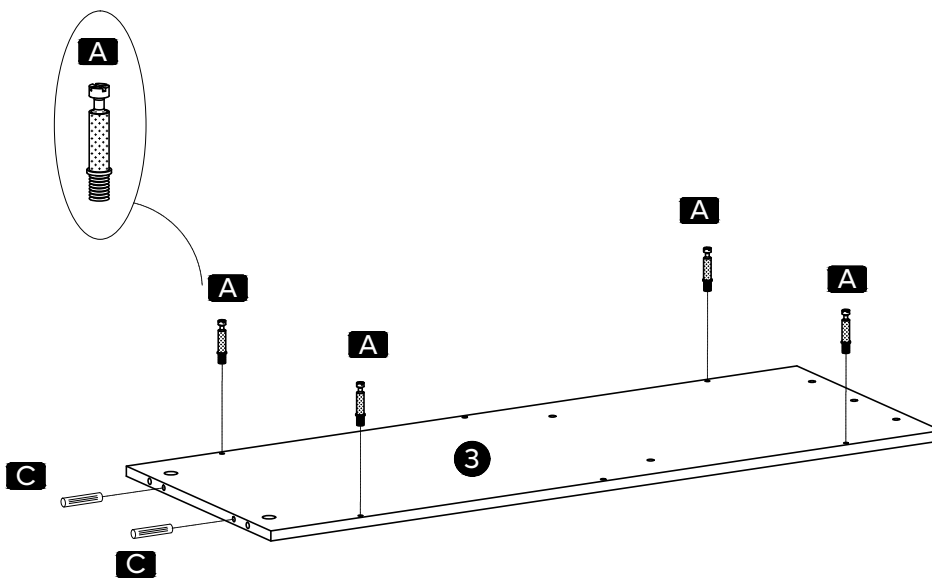
Note:

- A. Do not mix old and new batteries together in the remote.
- B. Do not mix alkaline, standard(carbon-zinc), or rechargeable (NiCad, NiMh, etc.) batteries together.

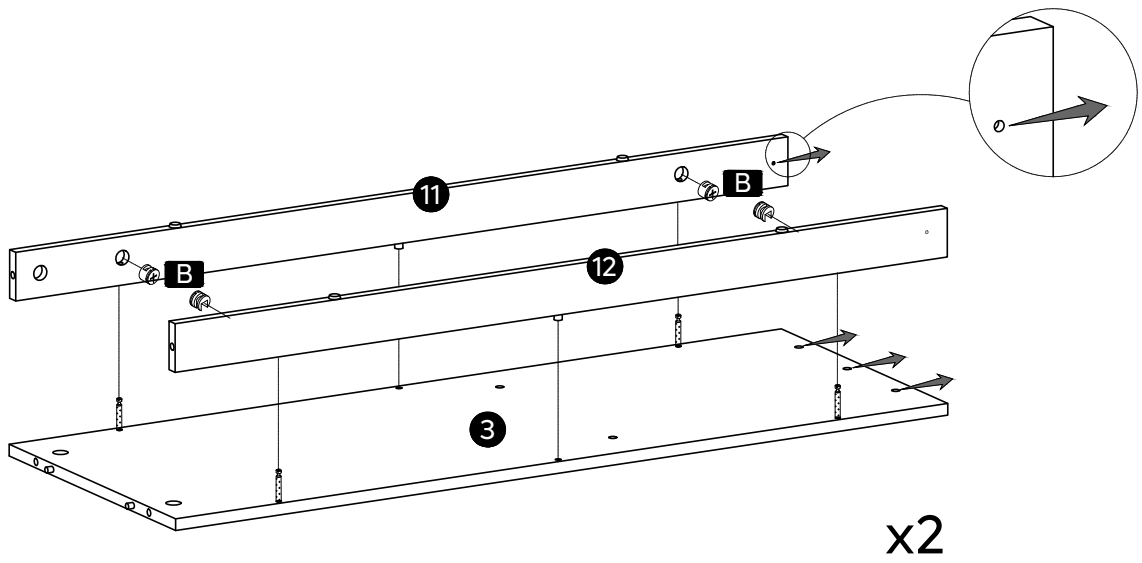
1



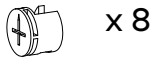
2



3

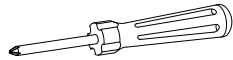


x2

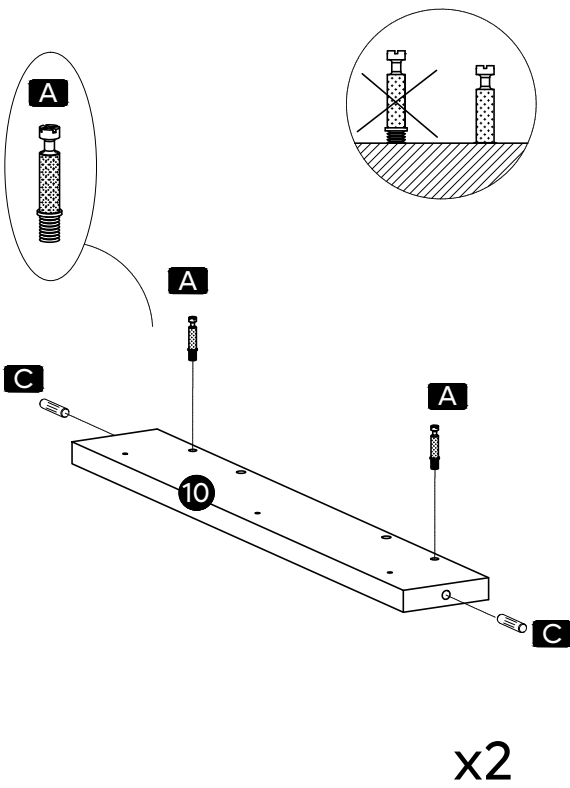


x 8

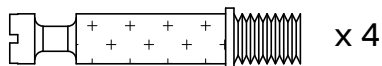
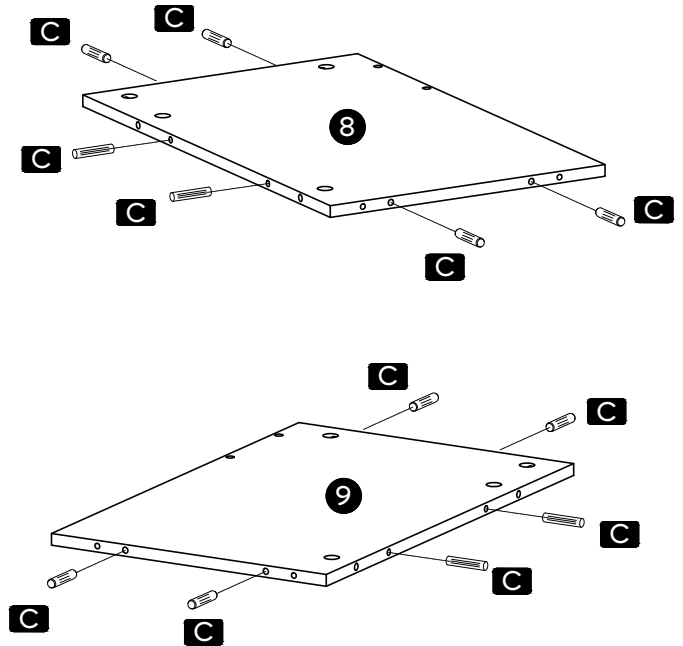
B Ø15mm



4

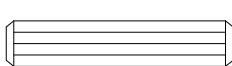


x2



x 4

A ST6x33mm

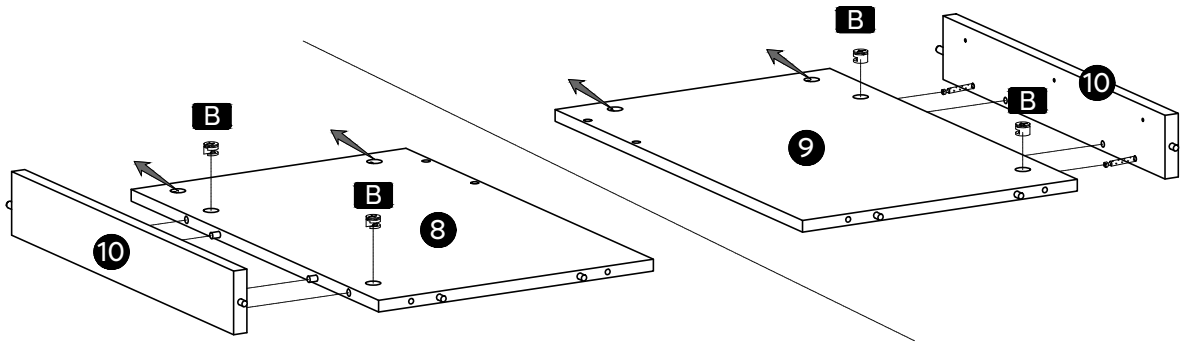



x 16

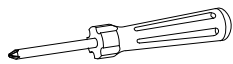
C Ø6x30mm



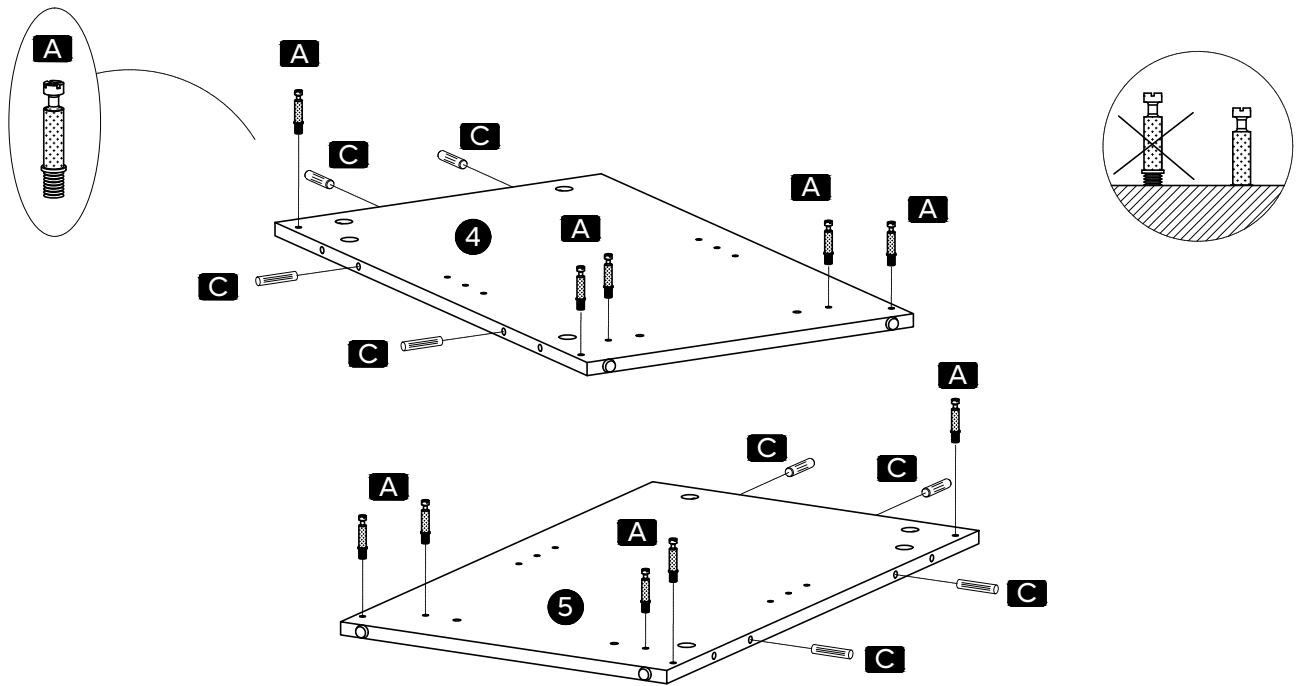
5




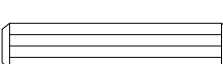
 x 4
B Ø15mm

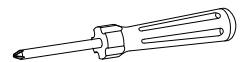


6



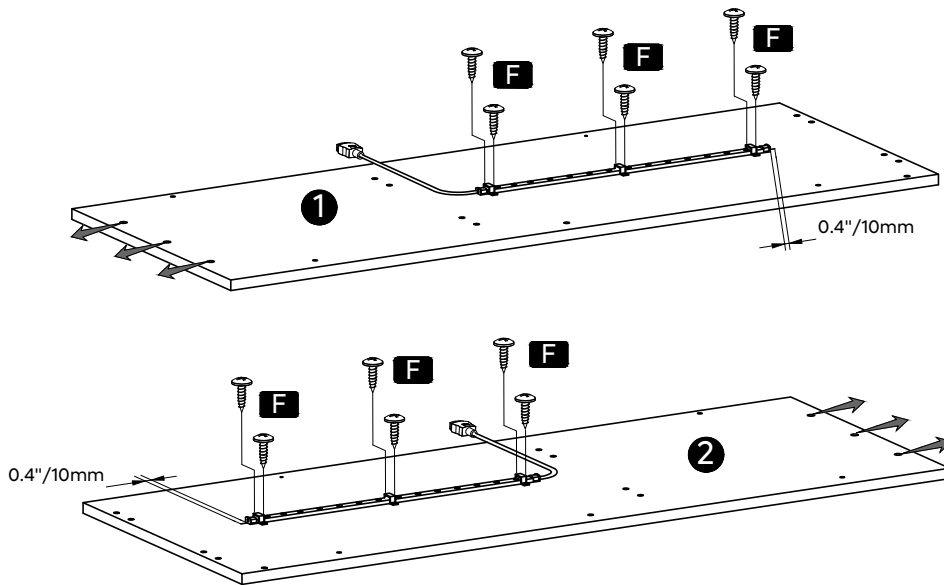
 x 10
A ST6x33mm


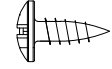
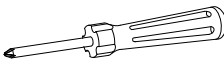
 x 8
C Ø6x30mm



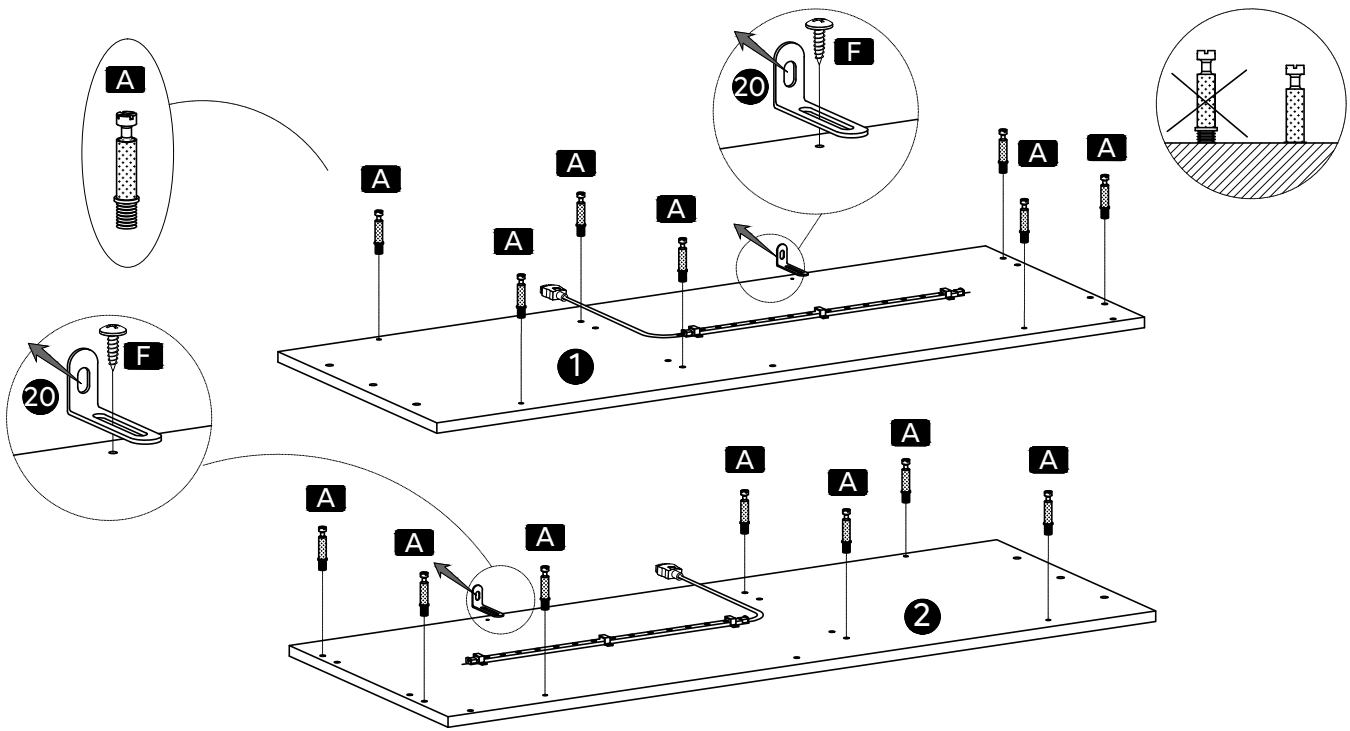
7

• Please refer to "Detailed Installation for LED Strip" on page "7".



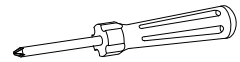
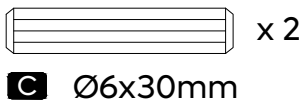
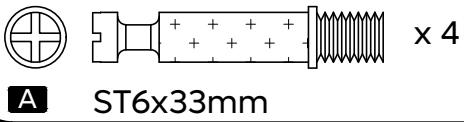
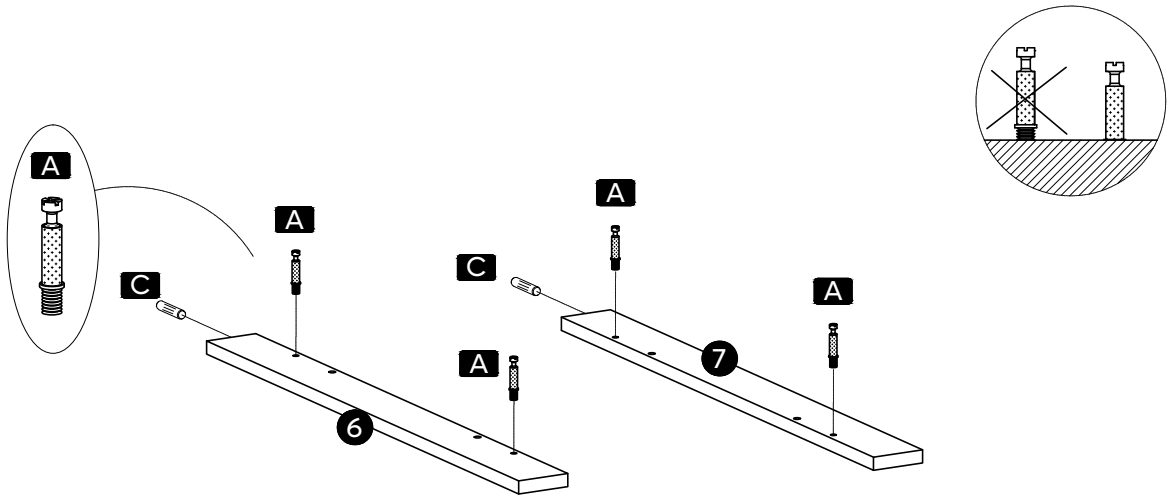
		x 12	
F	ST3.5x10mm		

8

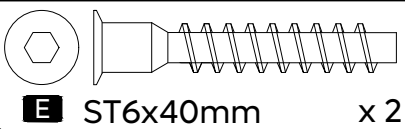
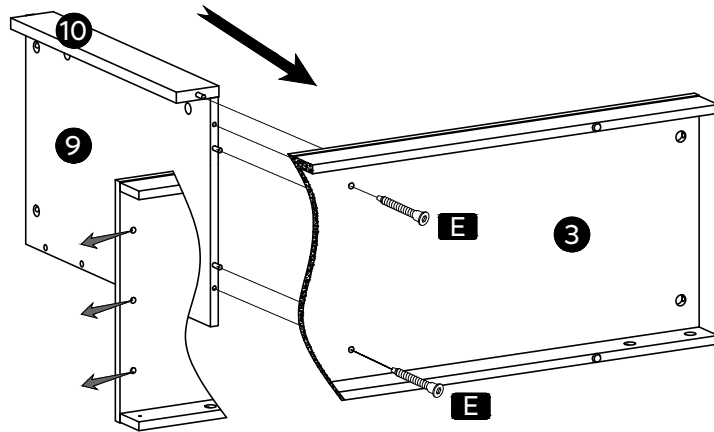


		x 14			x 2	
A	ST6x33mm		F	ST3.5x10mm		

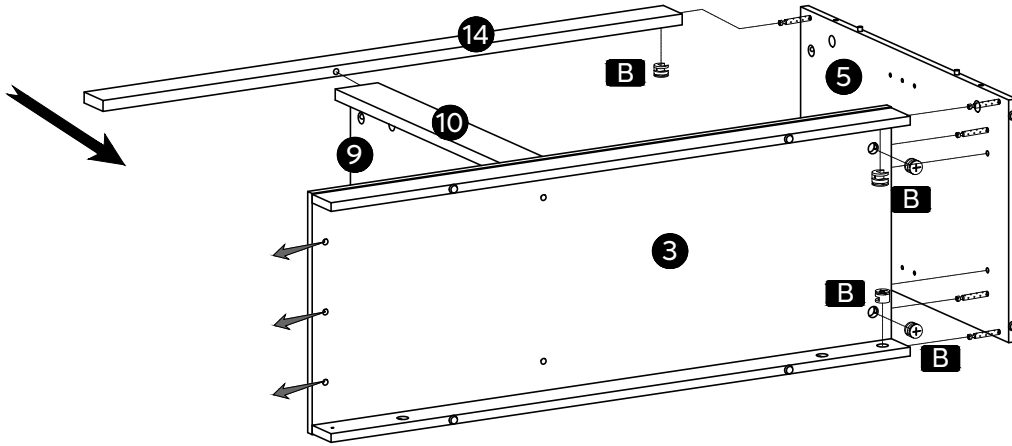
9



10

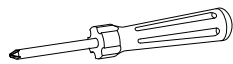


11

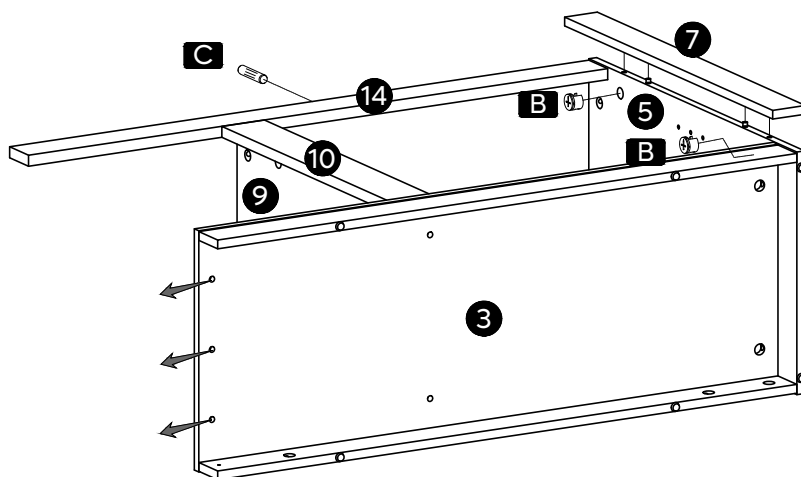


x 5

B Ø15mm

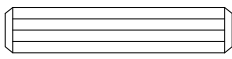


12



x 2

B Ø15mm

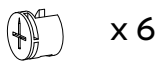
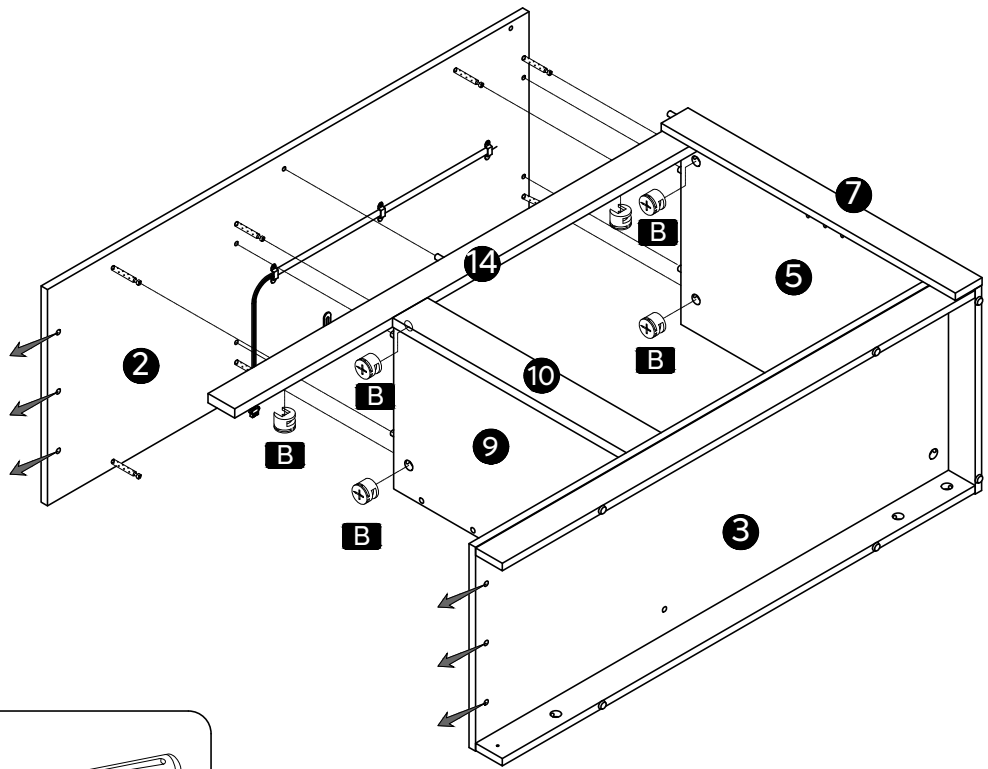


x 1

C Ø6x30mm

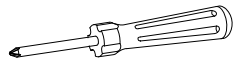


13

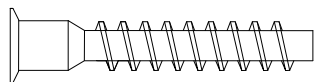
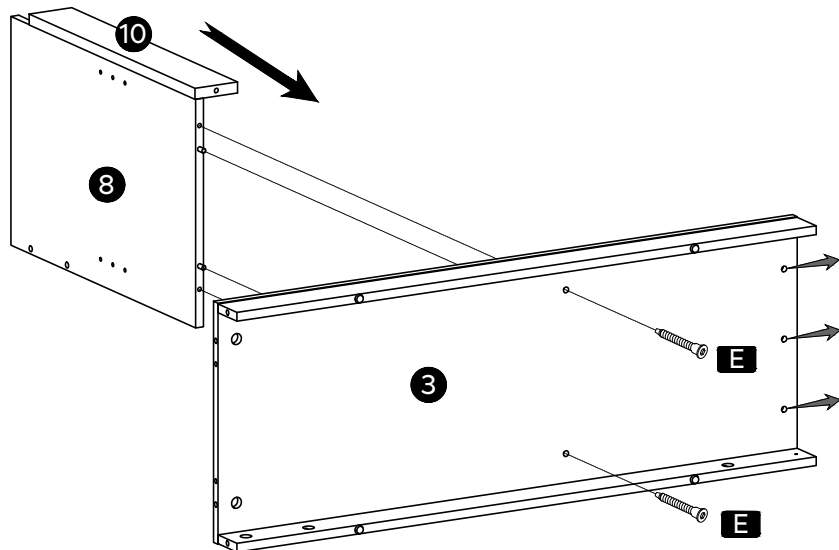


x 6

B Ø15mm



14

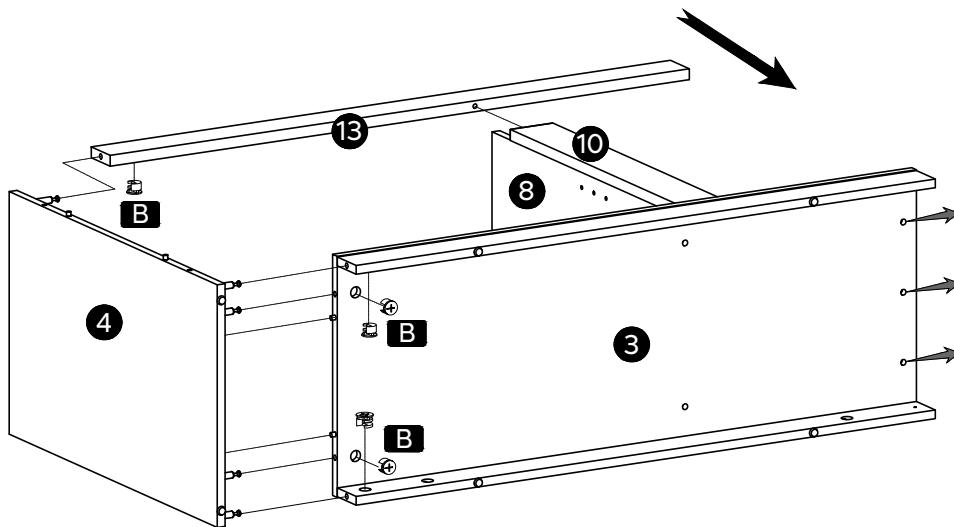


E ST6x40mm x 2



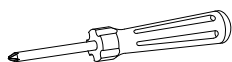
M4

15

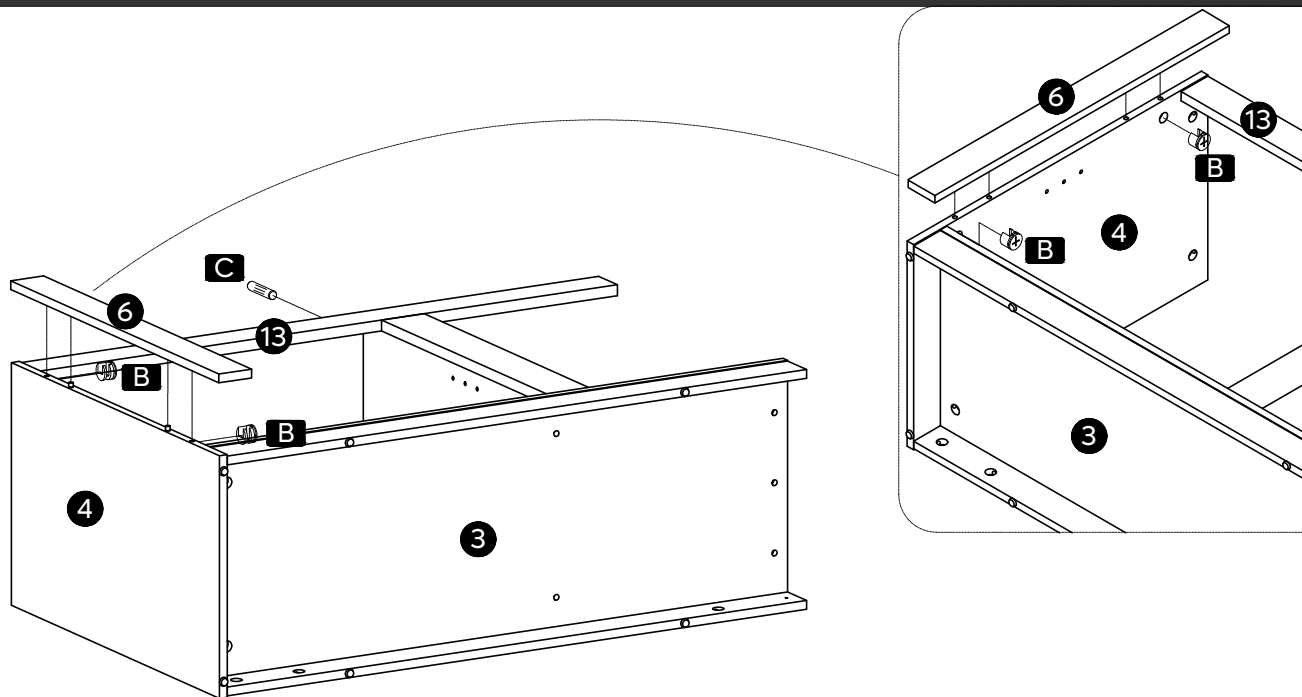


x 5

B Ø15mm

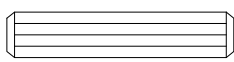


16



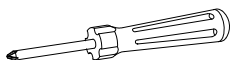
x 2

B Ø15mm

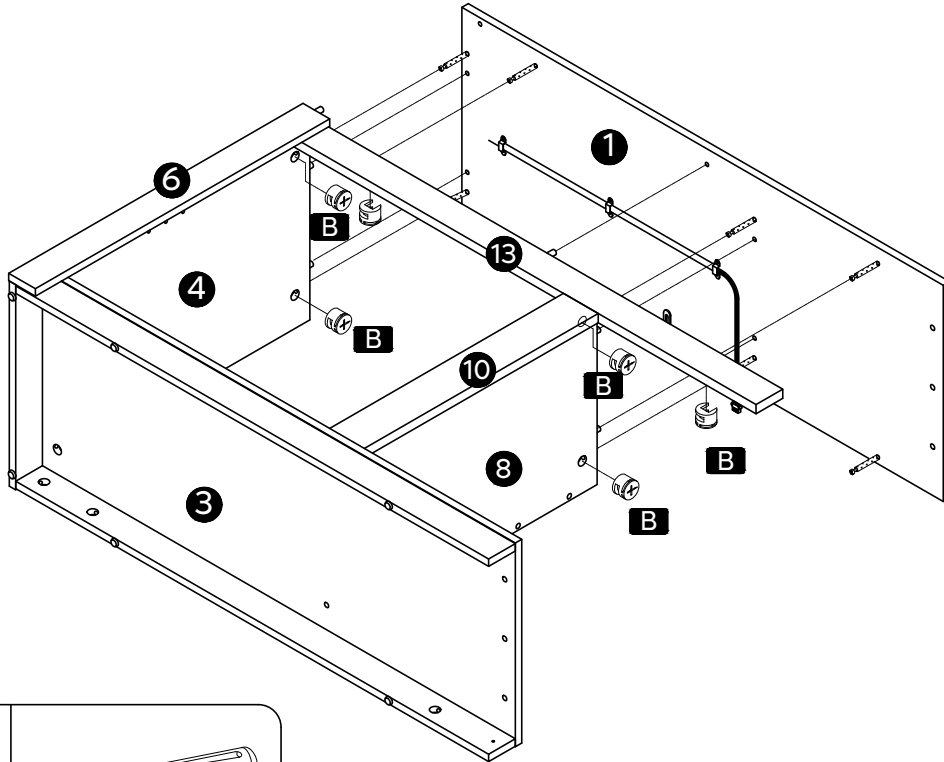


x 1

C Ø6x30mm

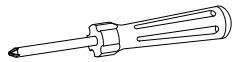


17



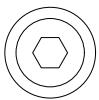
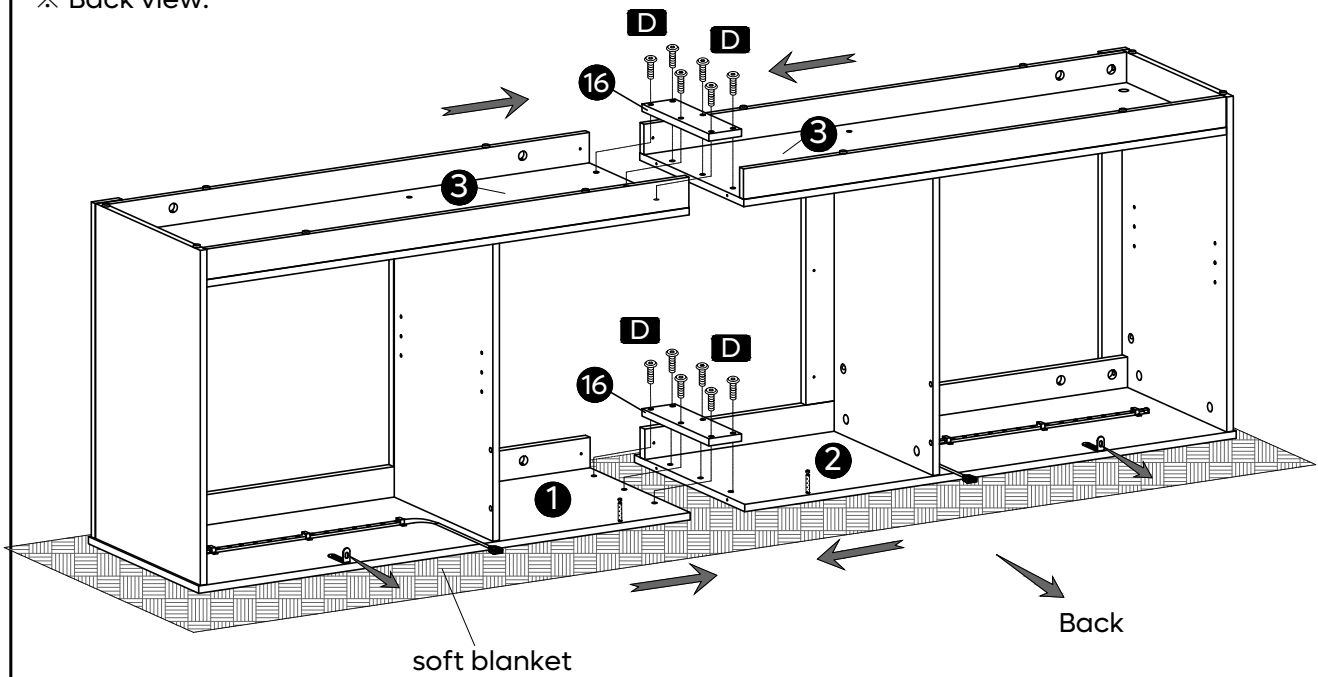
x 6

B Ø15mm

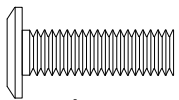


18

※ Back view.



D



x 12

Ø1/4"x20mm



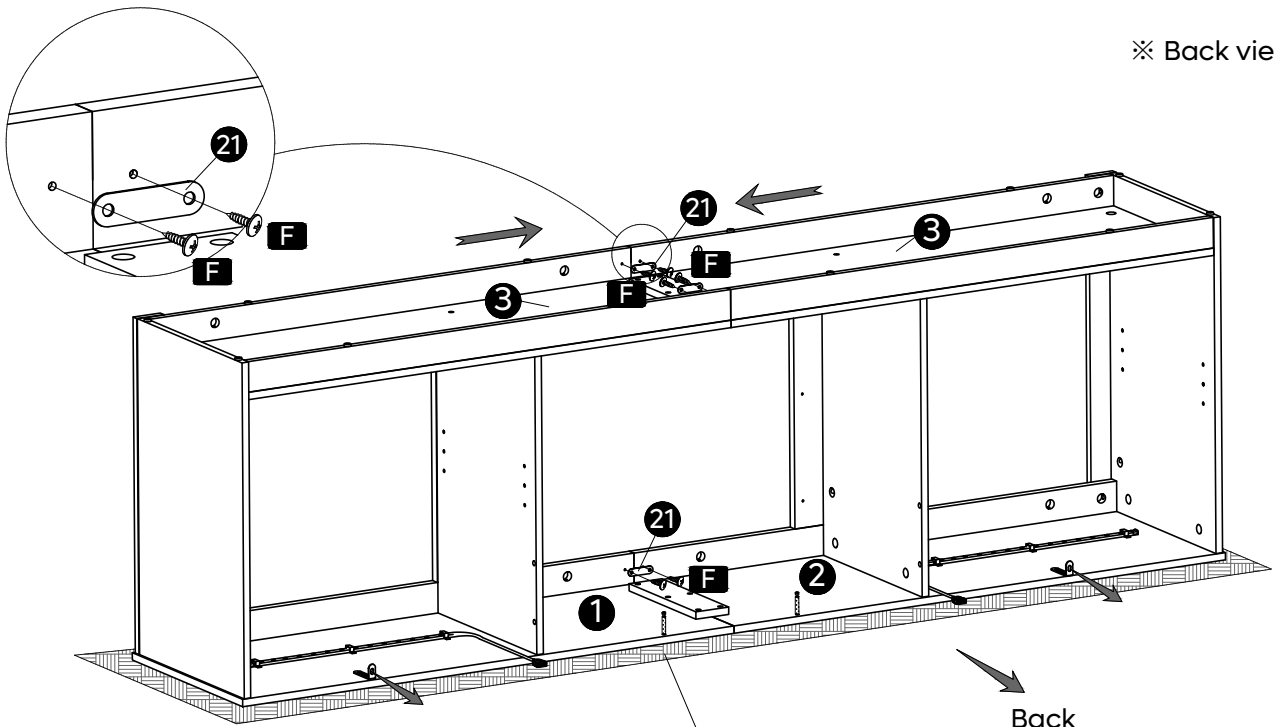
M4

L1003180

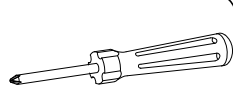
17

19

※ Back view.



⊕ x 6
F ST3.5x10mm

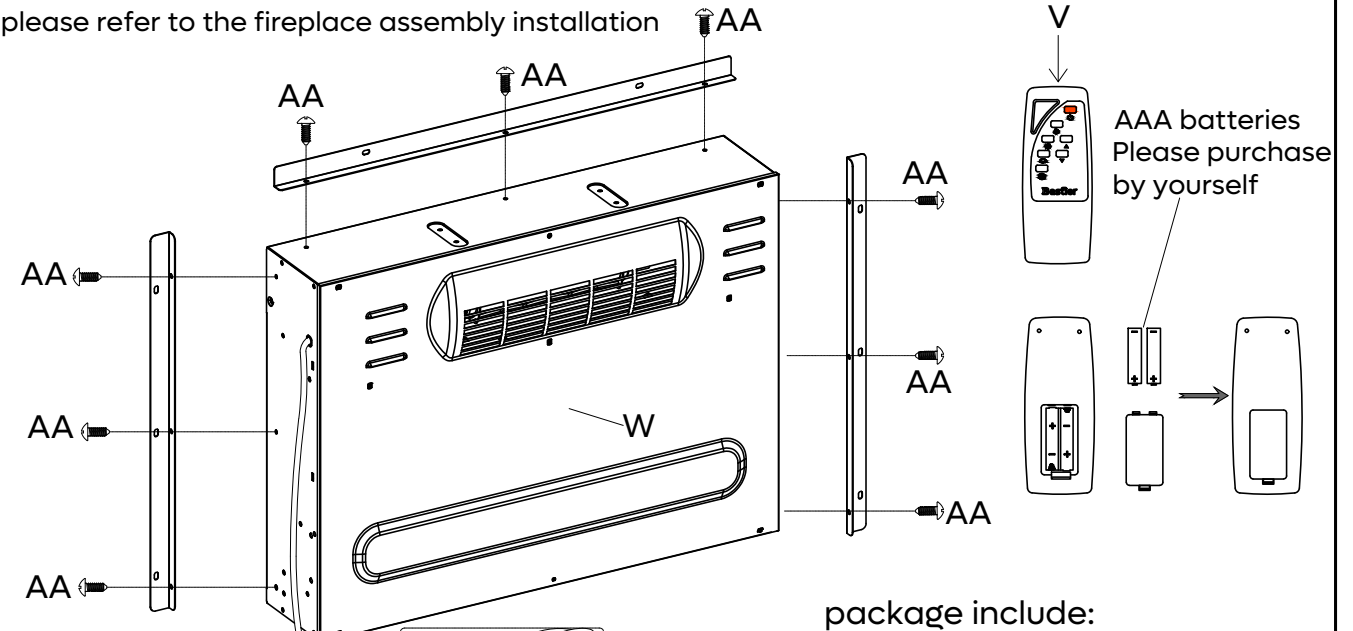


soft blanket

Back

20

※please refer to the fireplace assembly installation

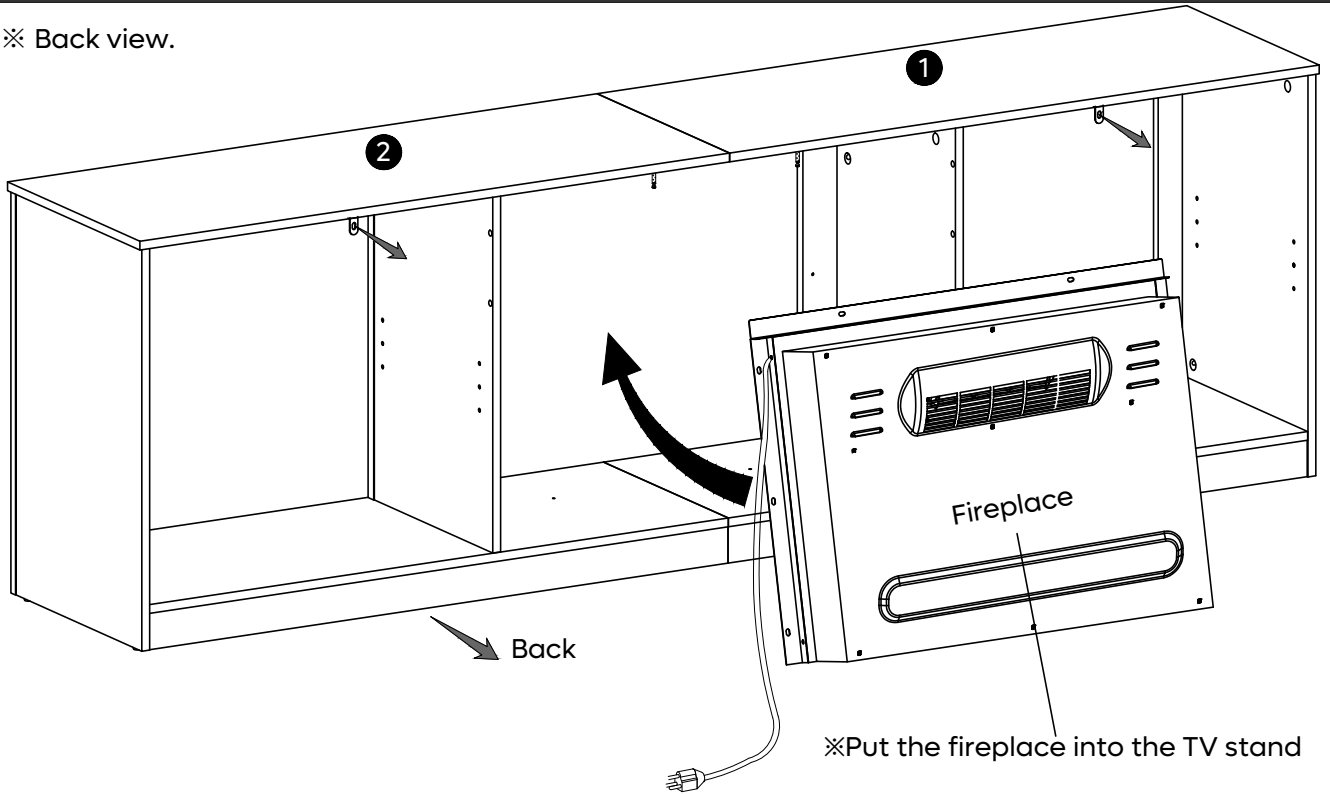


package include:

Part	Description	Quantity
V	Remote Control	1
W	Fireplace Insert	1
	Top Side Trim	1
	Side Trim	2
AA	TM4x6mm	9+1

21

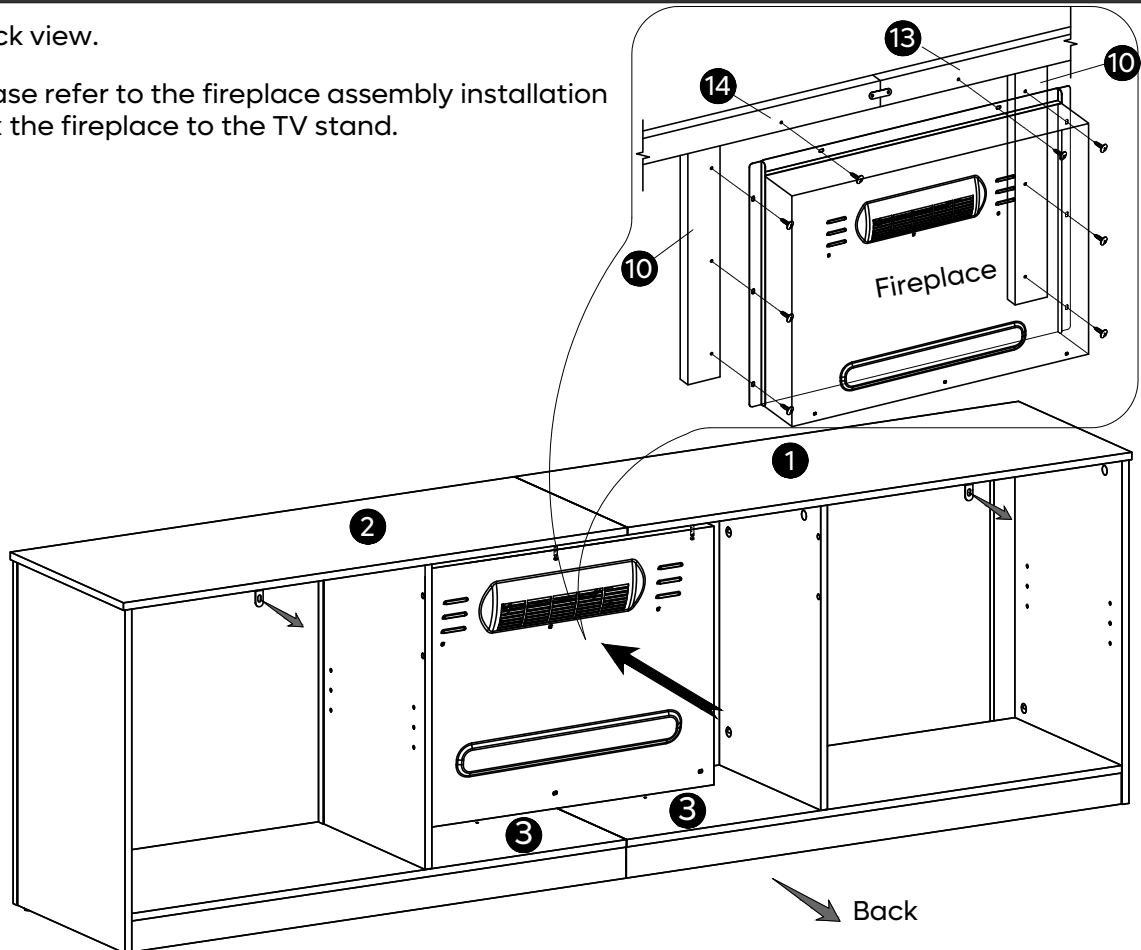
※ Back view.



22

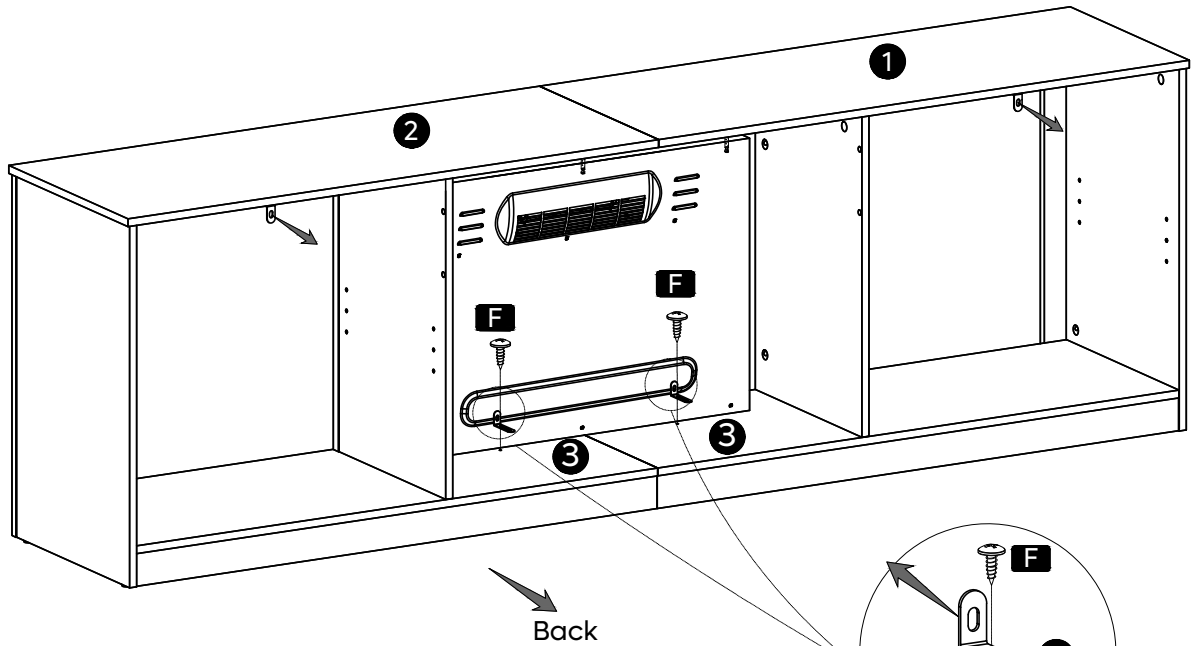
※ Back view.

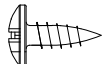
※please refer to the fireplace assembly installation to fix the fireplace to the TV stand.

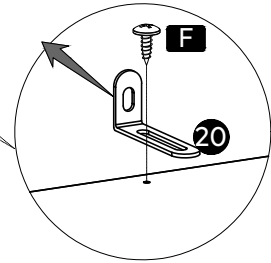
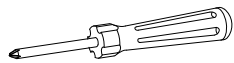


23

※ Back view.

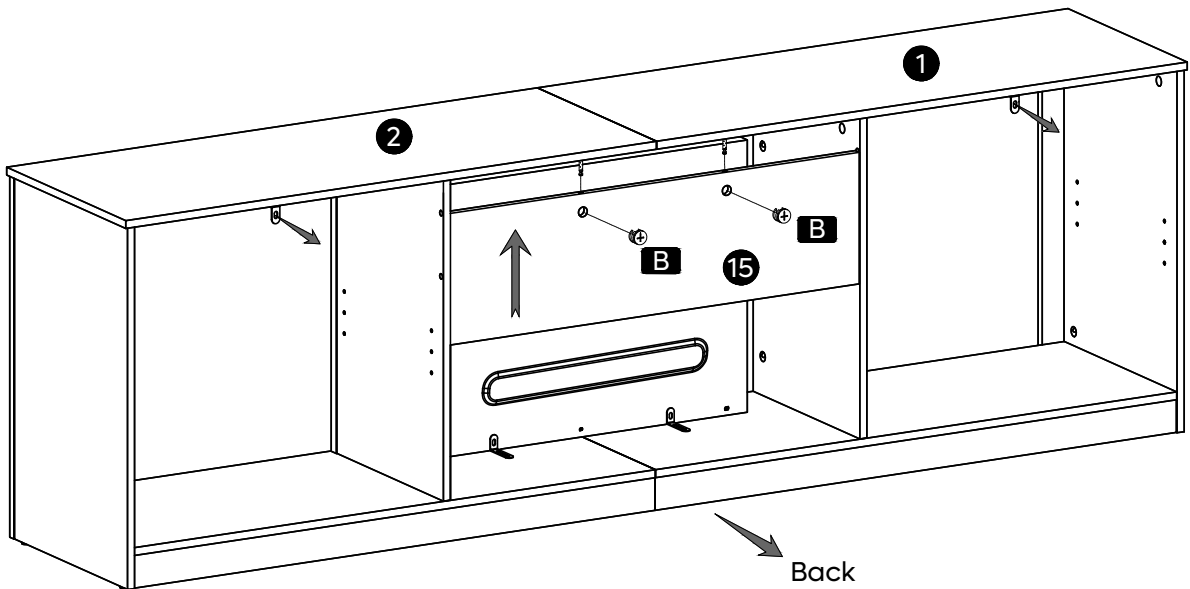



  x 2
F ST3.5x10mm

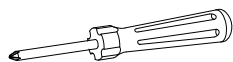


24

※ Back view.

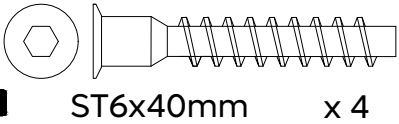
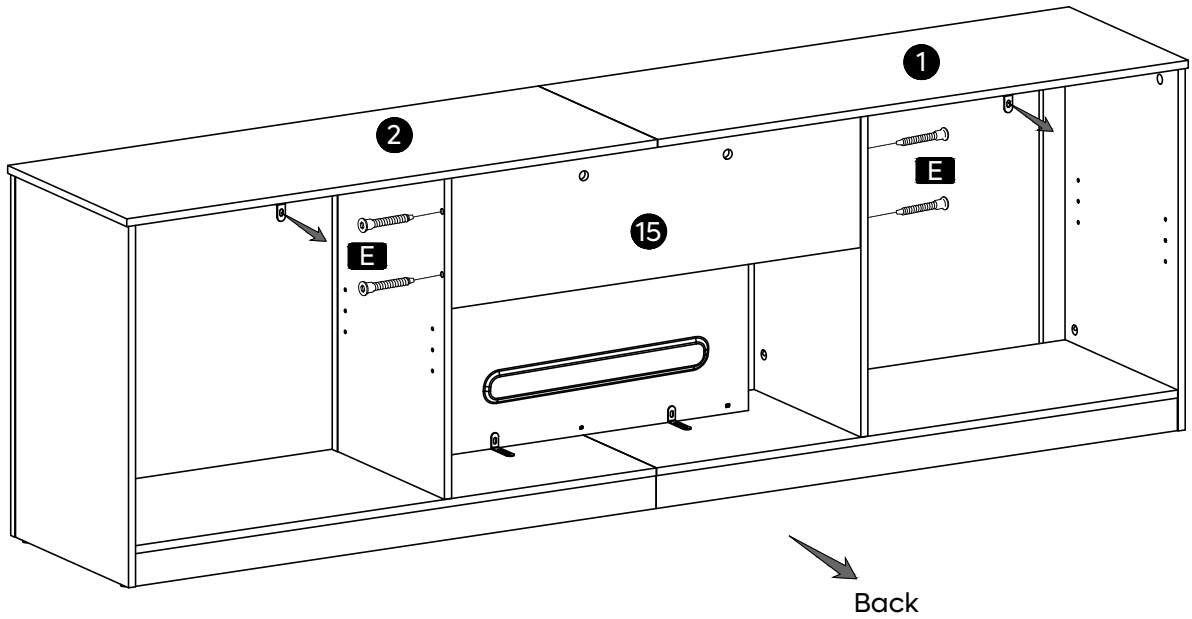


 x 2
B Ø15mm



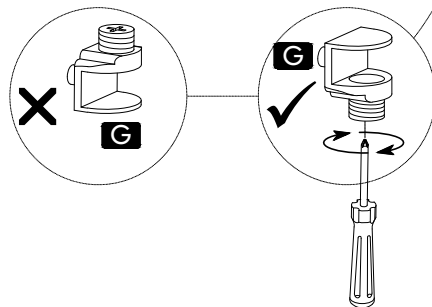
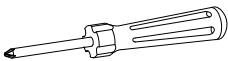
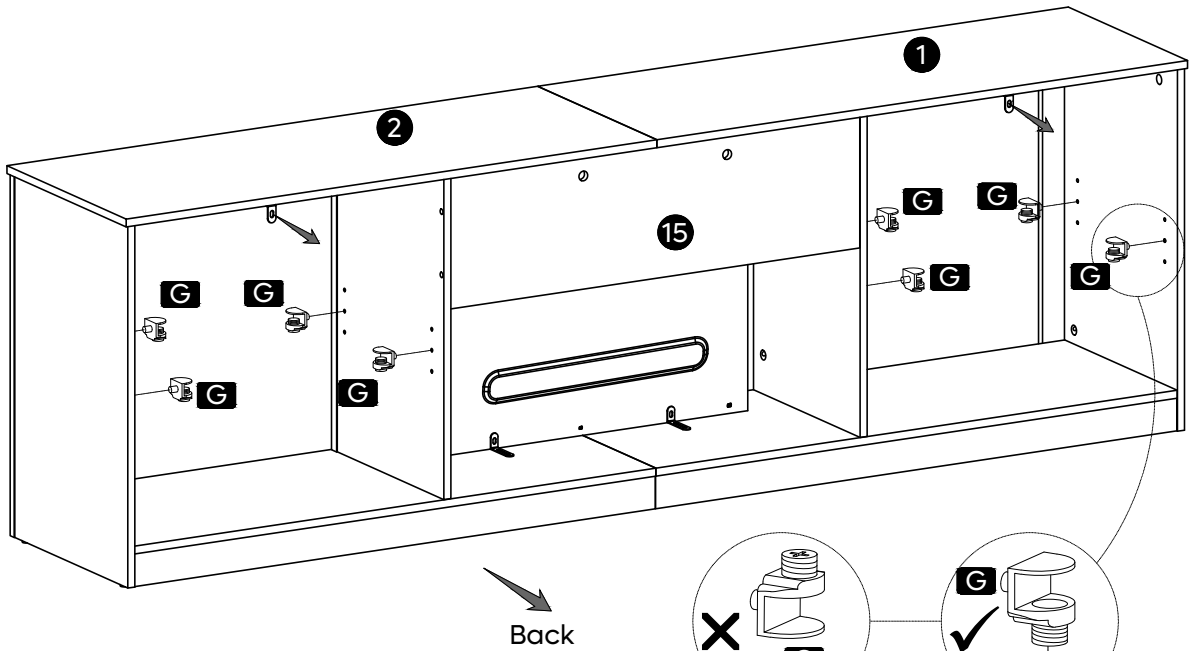
25

※ Back view.



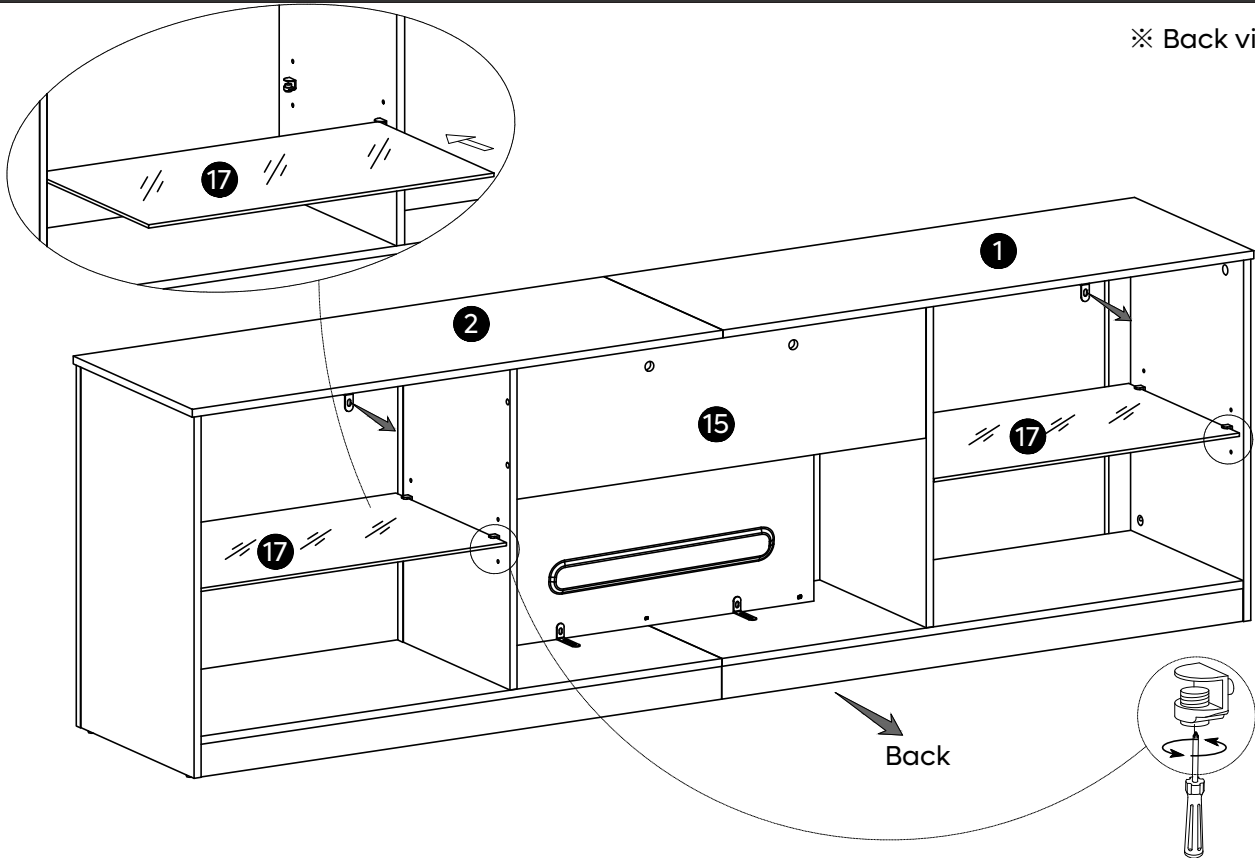
26

※ Back view.



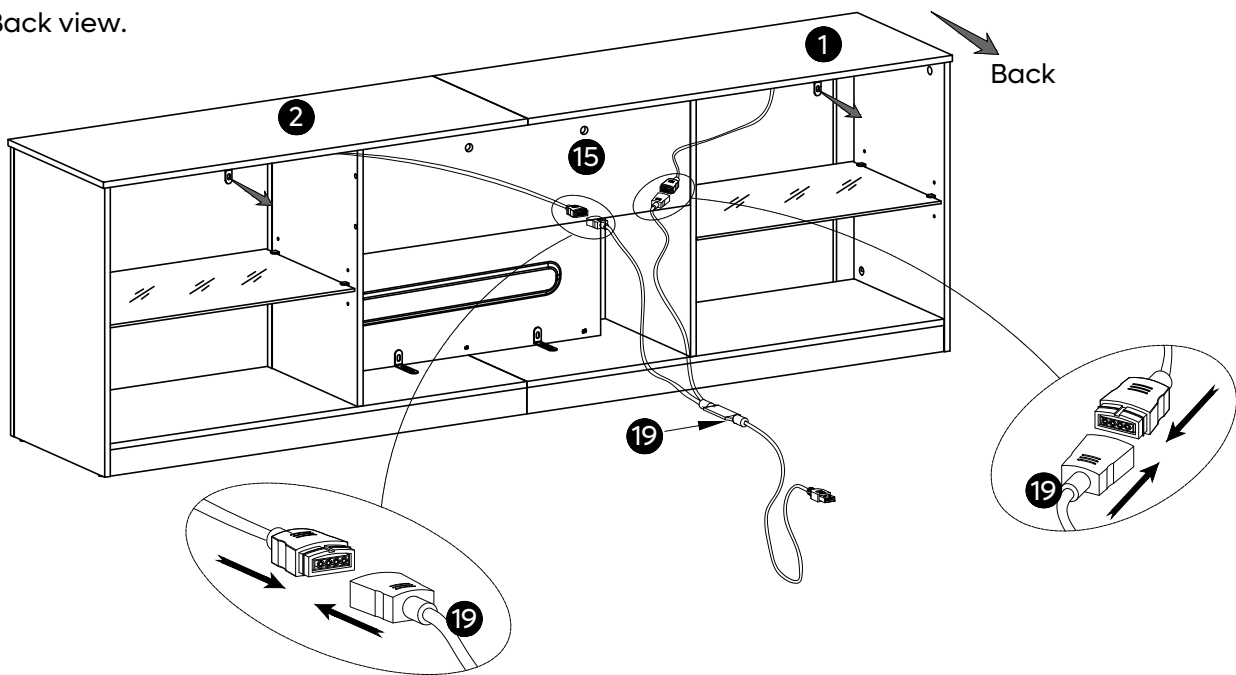
27

※ Back view.

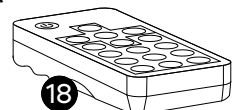


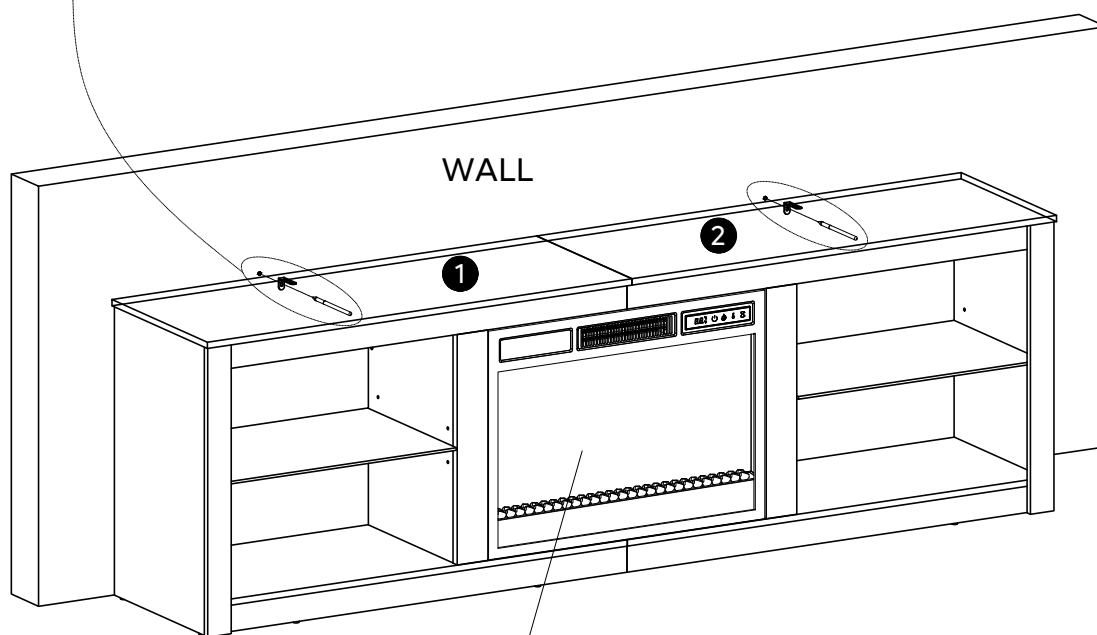
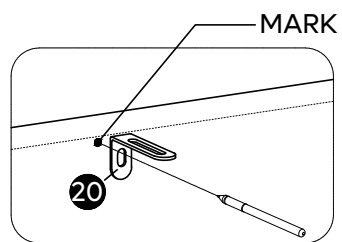
28

※ Back view.

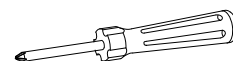
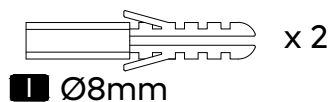
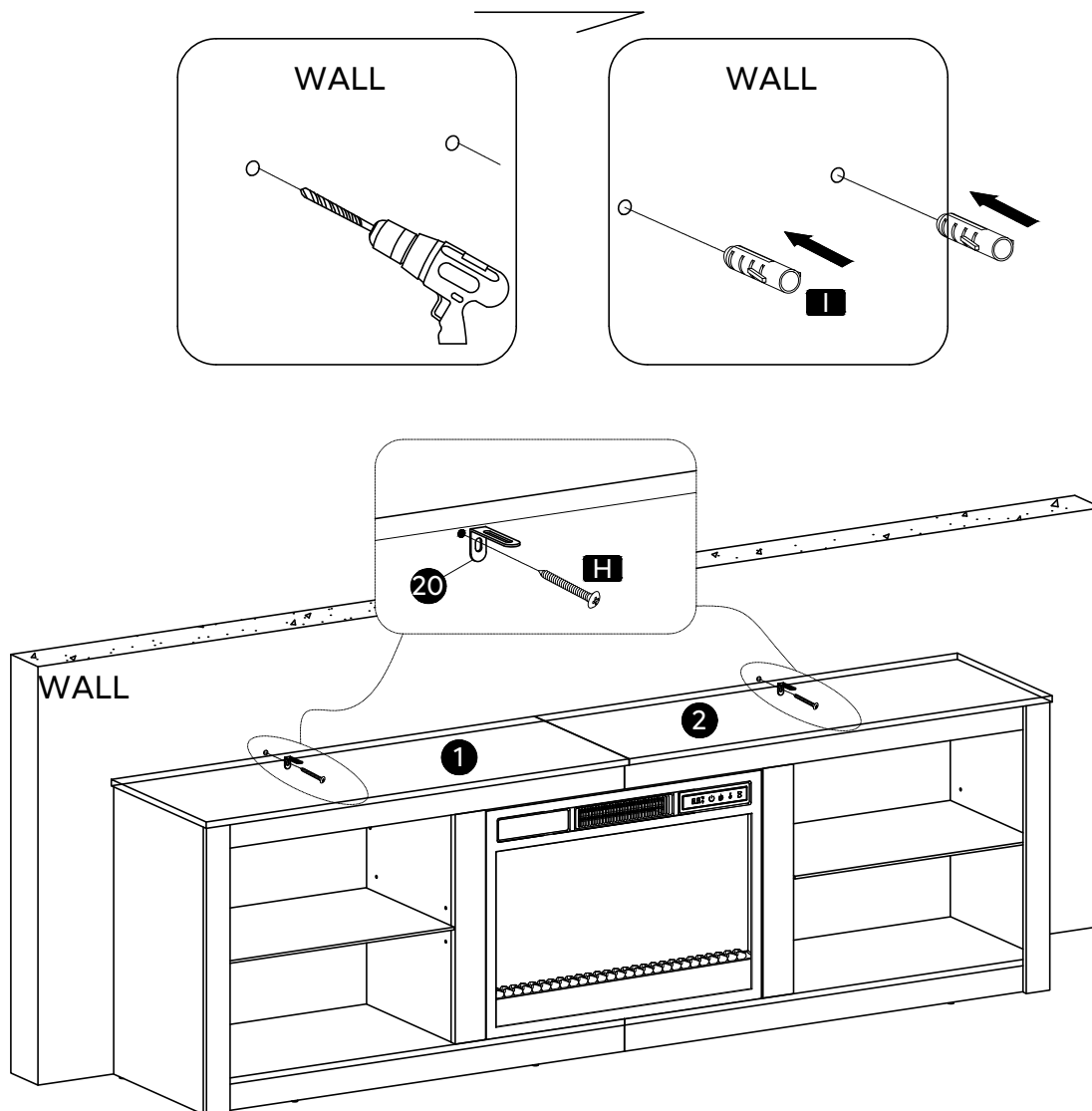


※Install the battery before using the remote control, please refer to Page "8".





※please refer to the fireplace assembly installation to operate the fireplace .



※ **Please fasten this item to wall for protection and safety.**

1. Drill 2 holes in the wall and insert "I" into holes.

※ You may need to use rubber mallet for tapping "I" .

2. Use "H" to attach "I" with 20 .