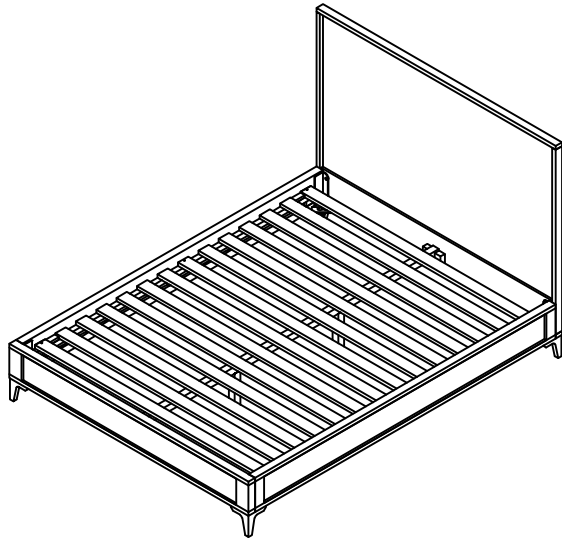


ASSEMBLY INSTRUCTION FOR

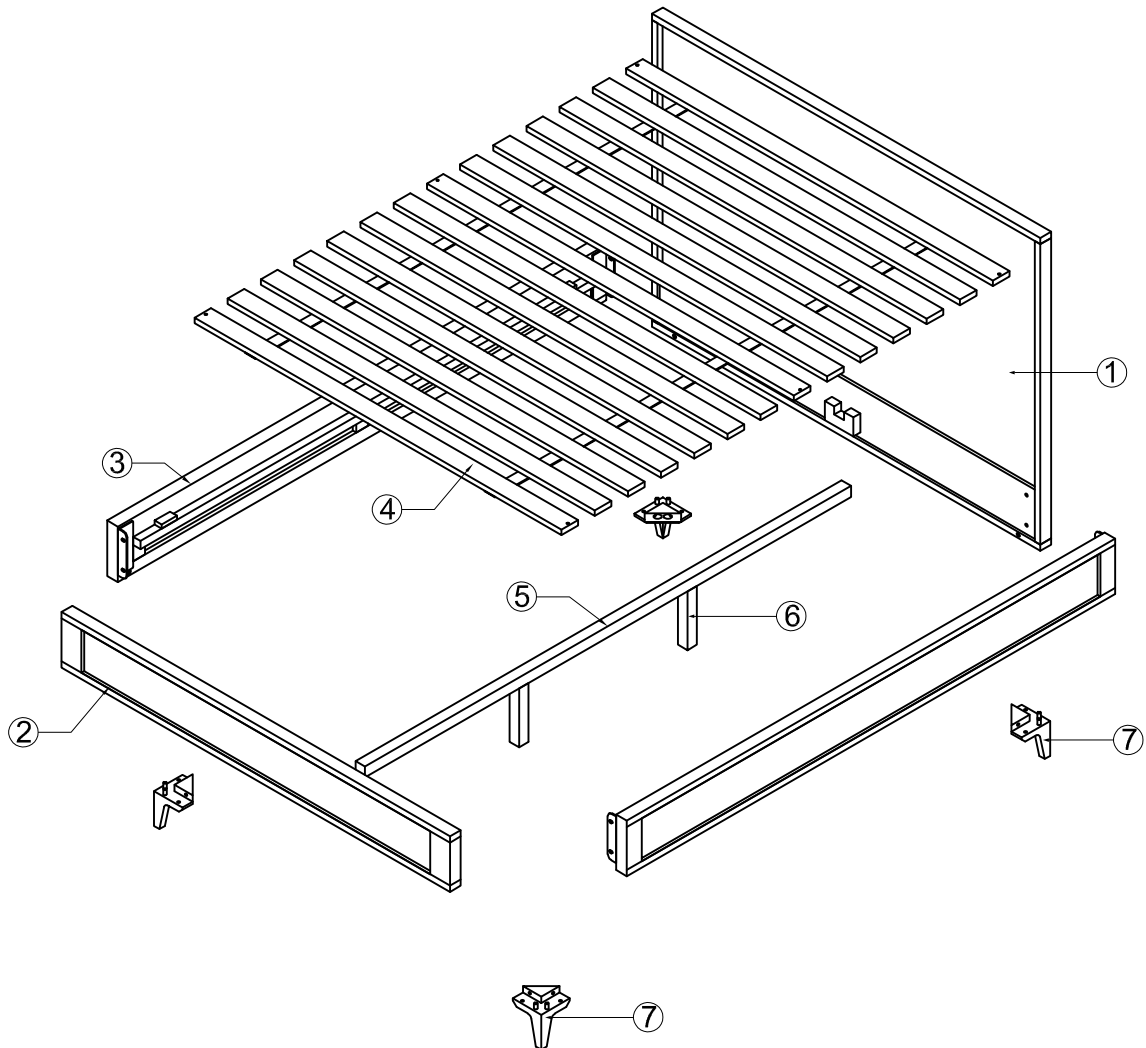
MODEL: BED

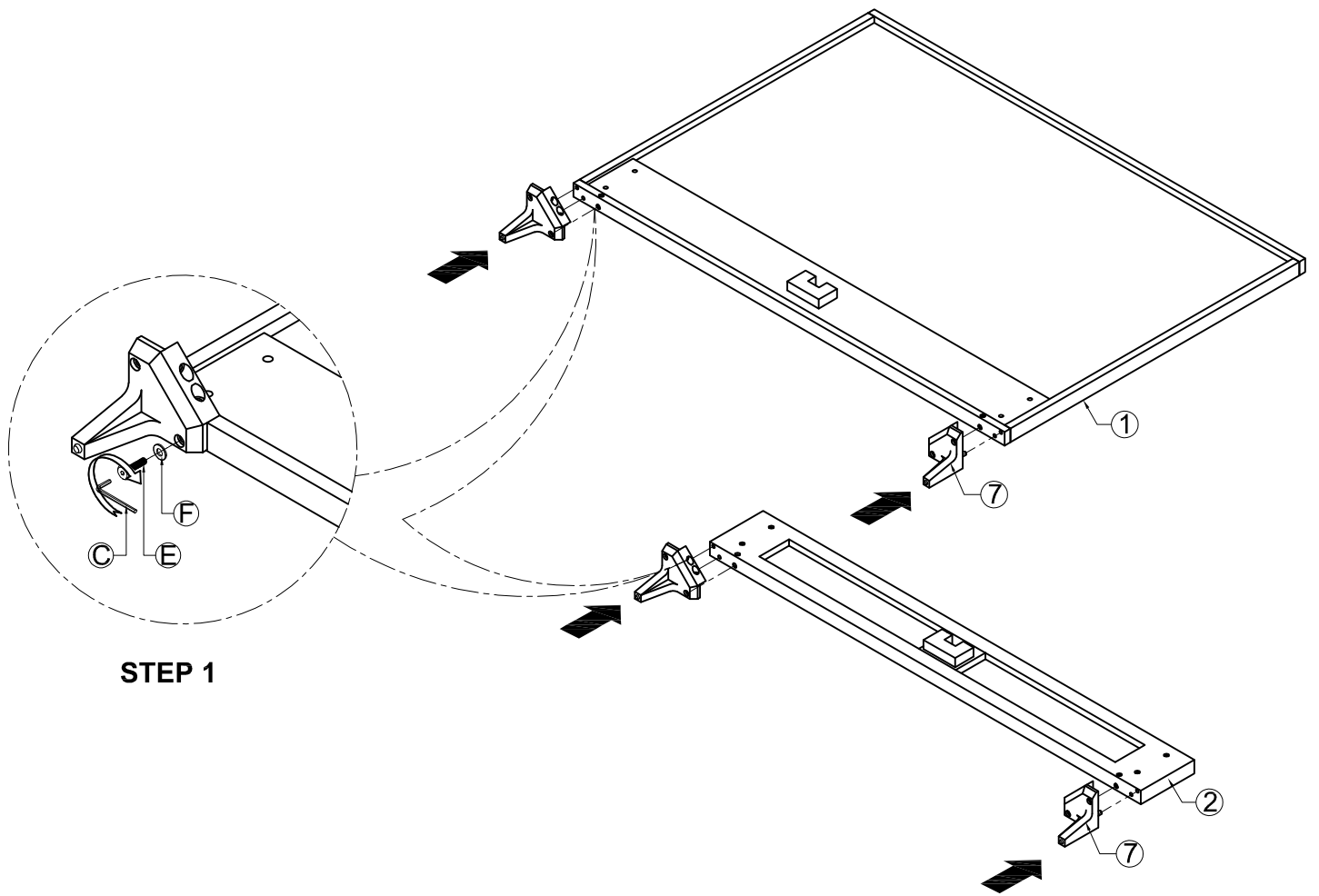
Thank you for purchasing this product. Be sure to check all packing material carefully for small Hardware which may have come loose inside the carton during shipment. Identify and count all hardware and compare with the hardware list below



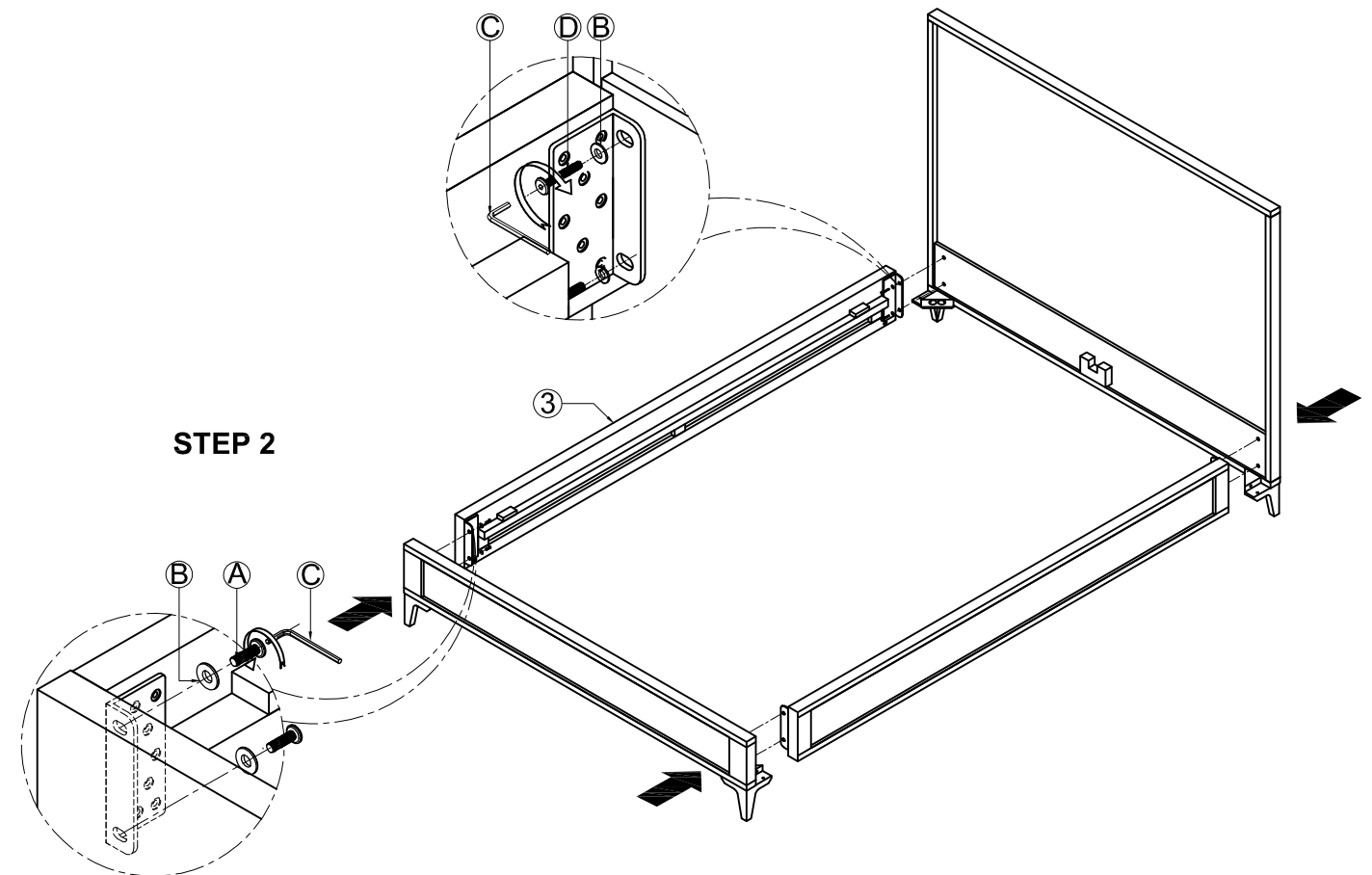
HARDWARE LIST

A		Bolt	M8x25mm	4
B		Flat Washer	8x19mm	8
C		Allen Wrench	4mm	1
D		Bolt	M8x50mm	4
E		Bolt	M6x30mm	16
F		Flat Washer	6x16mm	16
G		Screw	M4x30mm	6

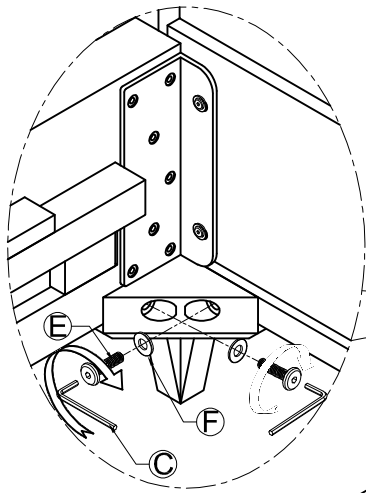




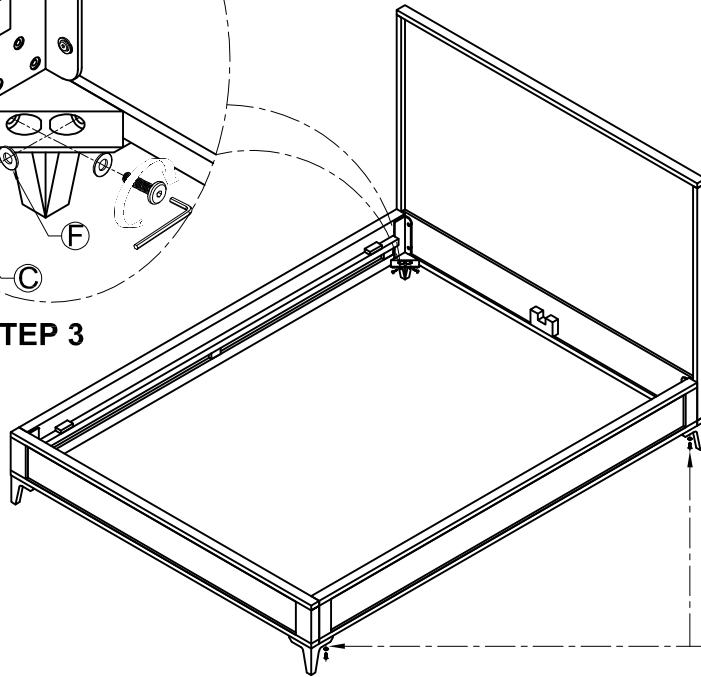
STEP 1



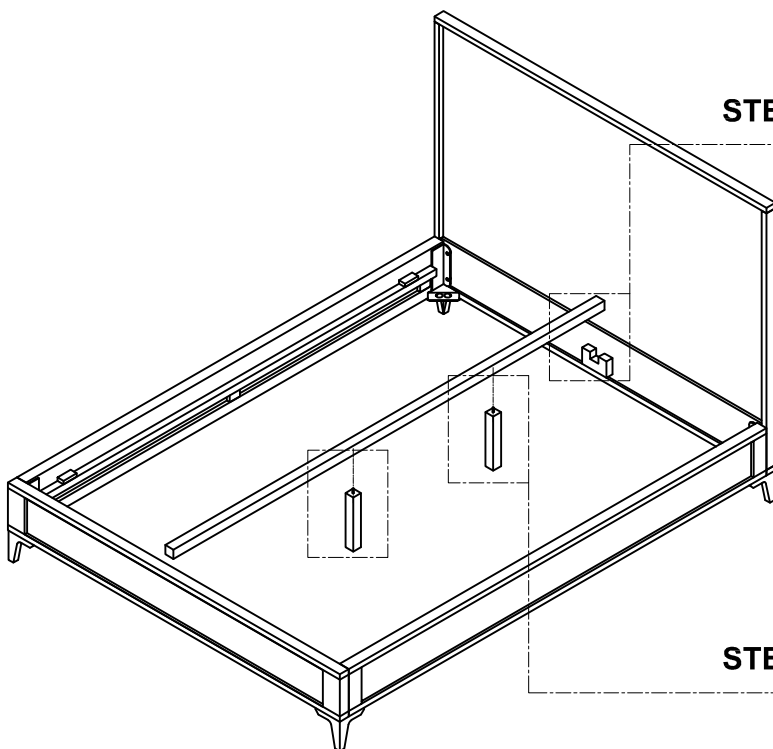
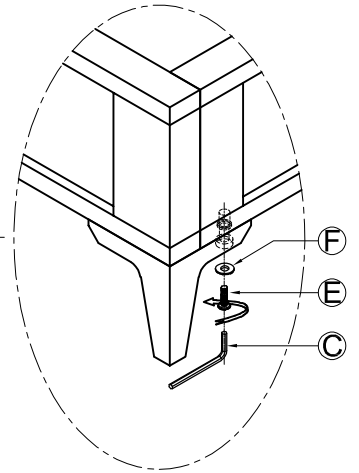
STEP 2



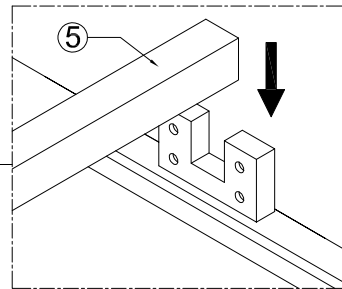
STEP 3



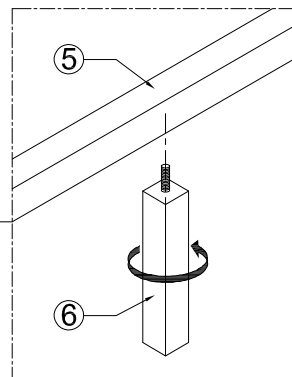
STEP 4

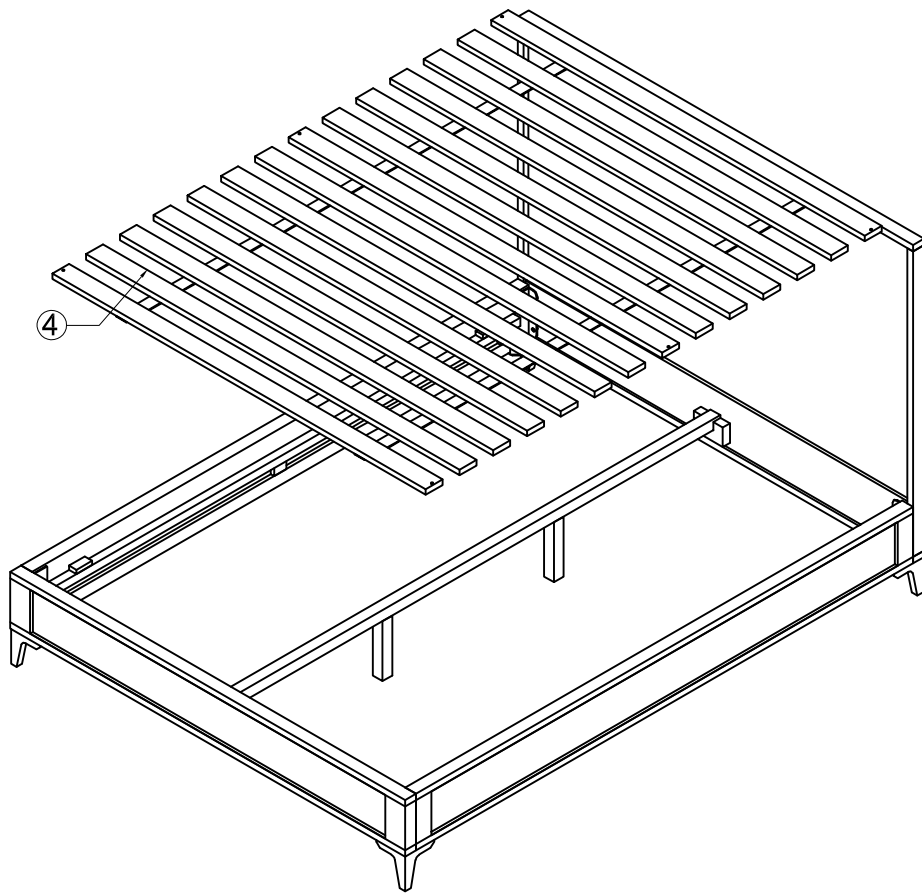


STEP 5



STEP 6





STEP 7

