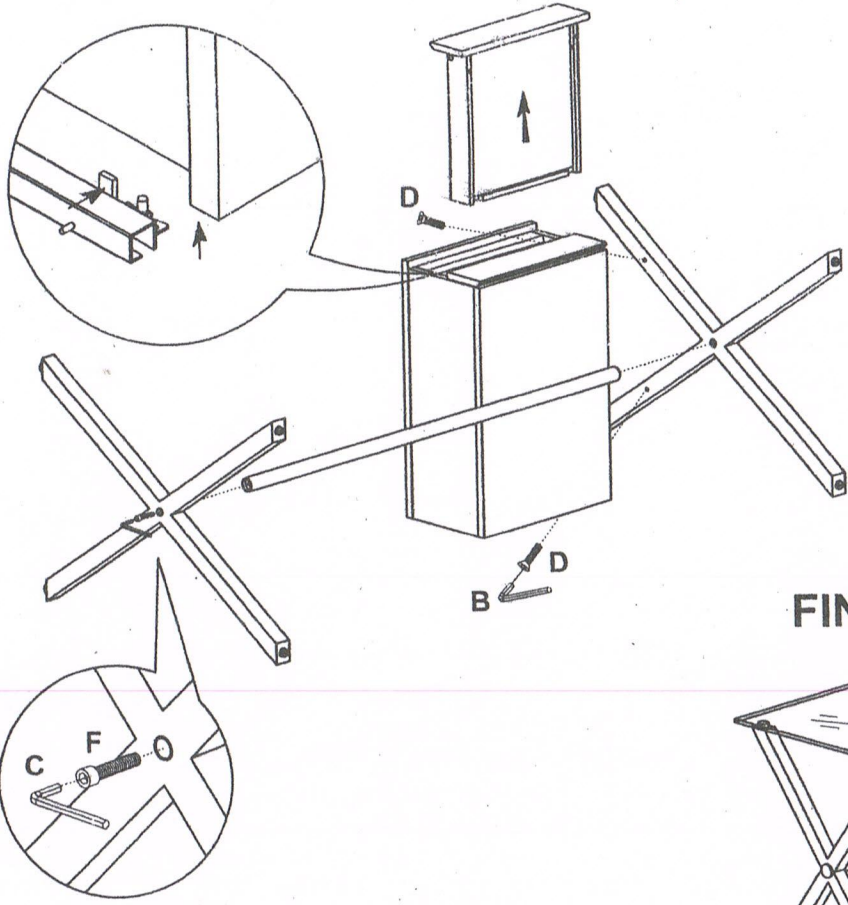
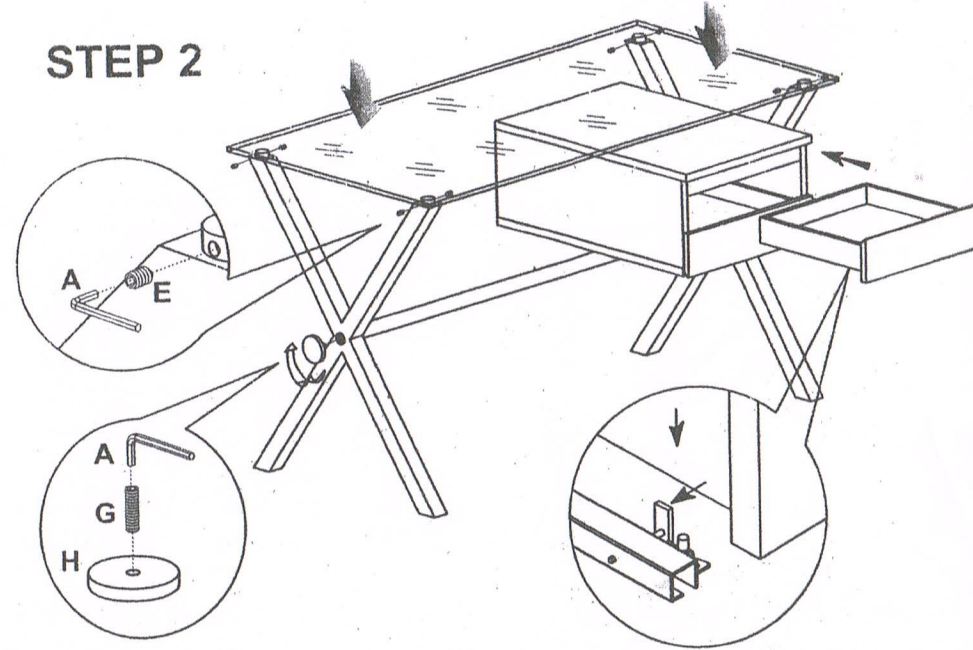


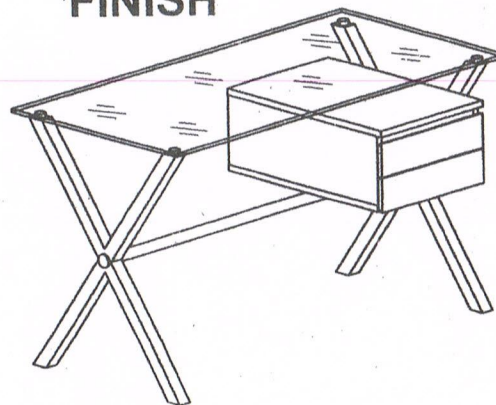
STEP 1



STEP 2



FINISH



A	B	C	D	E	F	G	H
3MM 1PC	5MM 1PC	8MM 1PC	M8x30 2PCS	M6x8 8PCS	M10x45 2PCS	M6x20 2PCS	Ø40 2PC