

29 1/4" 742mm

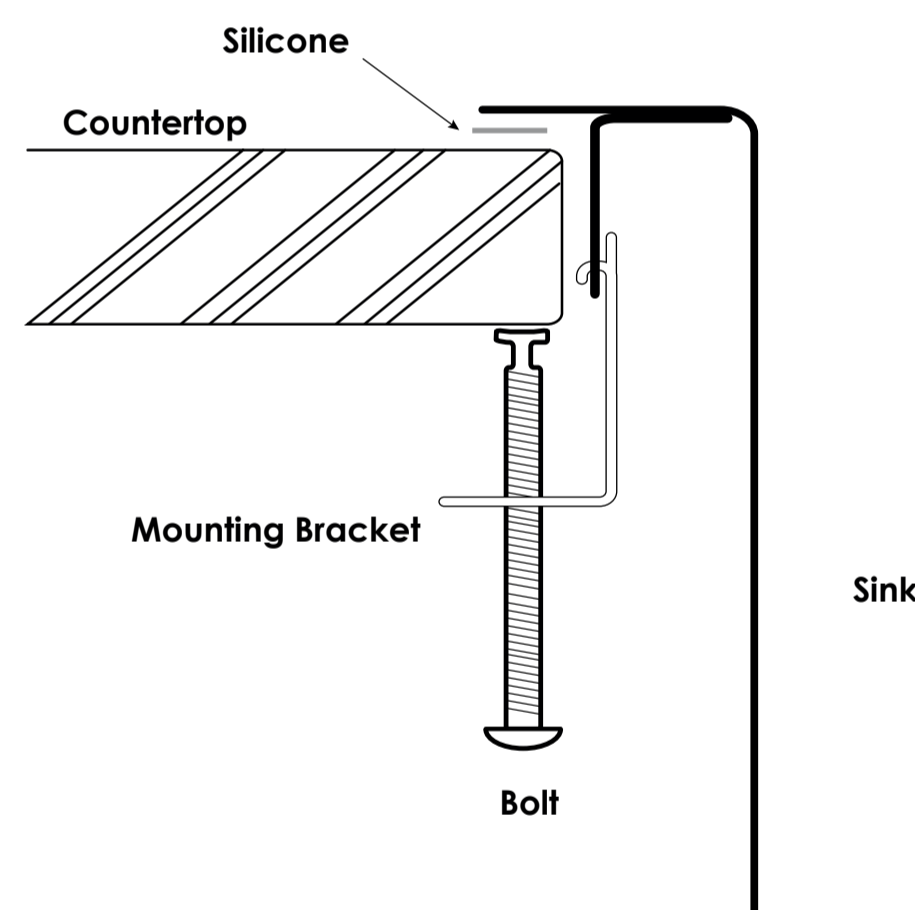
28" 711.2mm



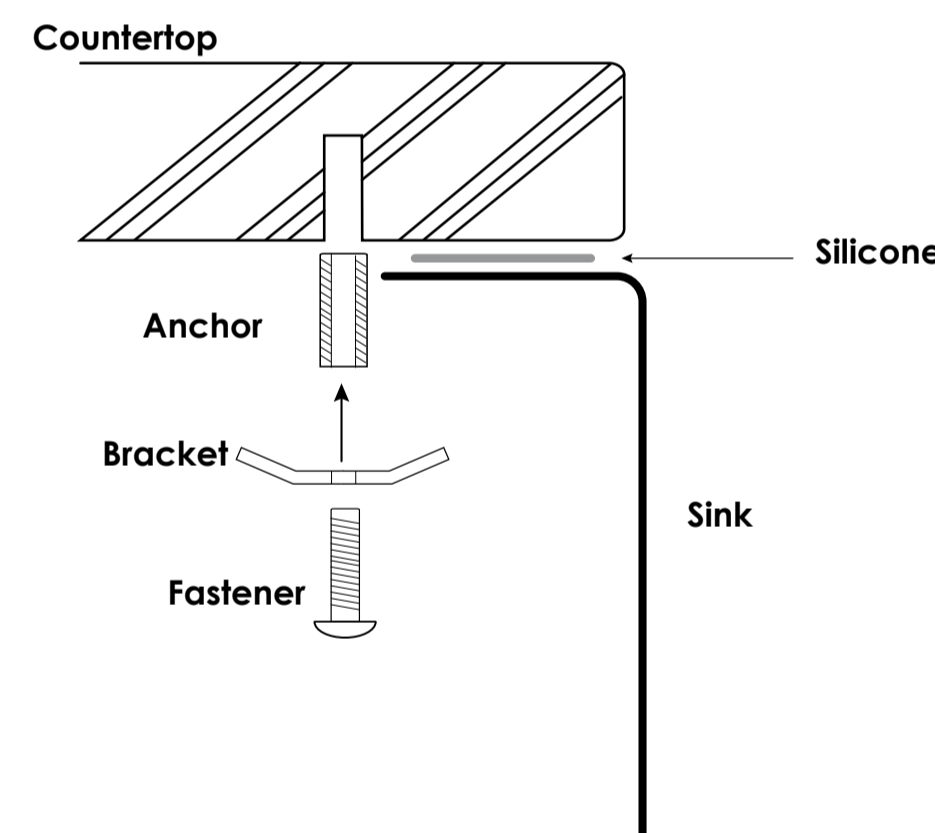
S-411T MALAGA

TOPMOUNT INSTALLATION →
UNDERMOUNT INSTALLATION →

TOPMOUNT



UNDERMOUNT



TOPMOUNT OR UNDERMOUNT INSTALLATION INSTRUCTION

1. Cut out countertop using this template.
2. FOR UNDERMOUNT INSTALLATION ONLY: Determine placement of clip brackets as indicated by template. Pre-drill holes according to method desired based on countertop material.
3. Apply a bead of silicone evenly along edge on underside of countertop or sink.
4. Position and align sink over opening. Press sink onto silicone seal.
5. FOR UNDERMOUNT INSTALLATION ONLY: After re-checking alignment, tighten clip brackets.
6. Remove excess of silicone.
7. It is recommended to hold sink in place using other means for at least 24 hours to allow the silicone and adhesive to cure.

Note: THIS TEMPLATE IS ONLY A GUIDE. ACTUAL SINK SHOULD BE PRESENT TO ENSURE PERFECT CUT OUT.

Hint: After silicone cures, wipe inside edge with dentured alcohol. This smooth out any rough areas.

DXF file and installation instructions available to download in our website www.stylishkb.com with each sink model.

Note: DXF file is a CAD file that needs special software to access and read, mostly used by countertop and kitchen companies.



@stylish.international.inc
Customer Service
1-855-789-5352



16" 406.4mm
17 1/4" 437.2mm

SCALE 1:1
FORMAT SIZE: A1