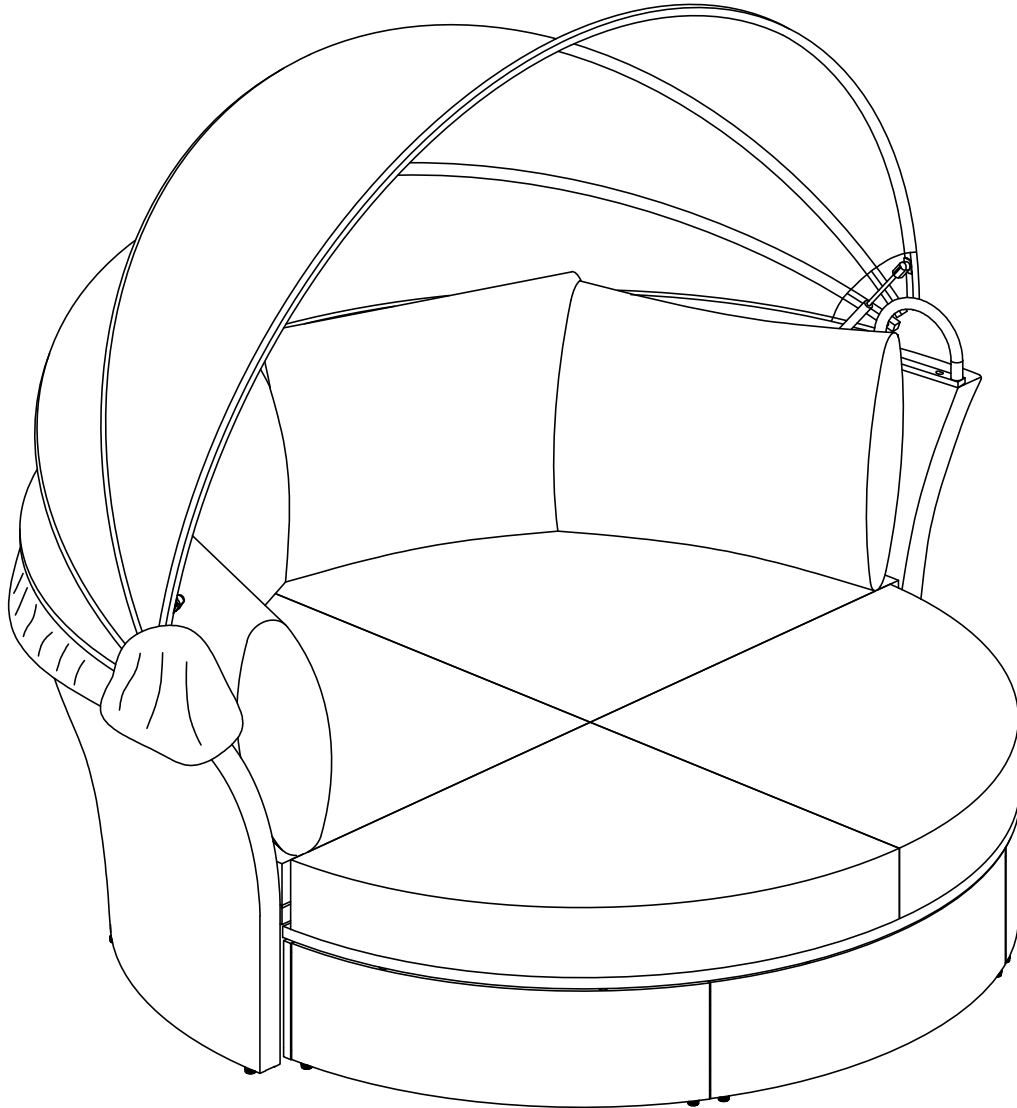


ASSEMBLY INSTRUCTIONS

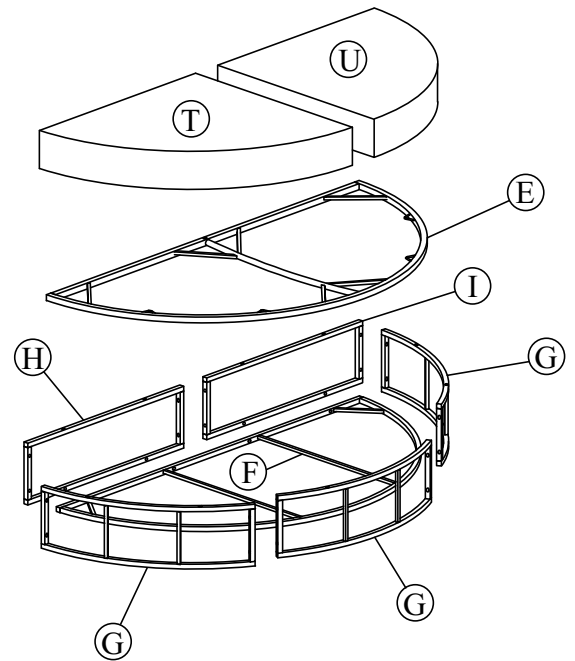
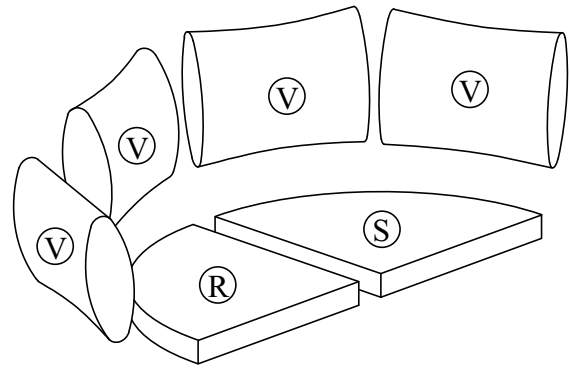
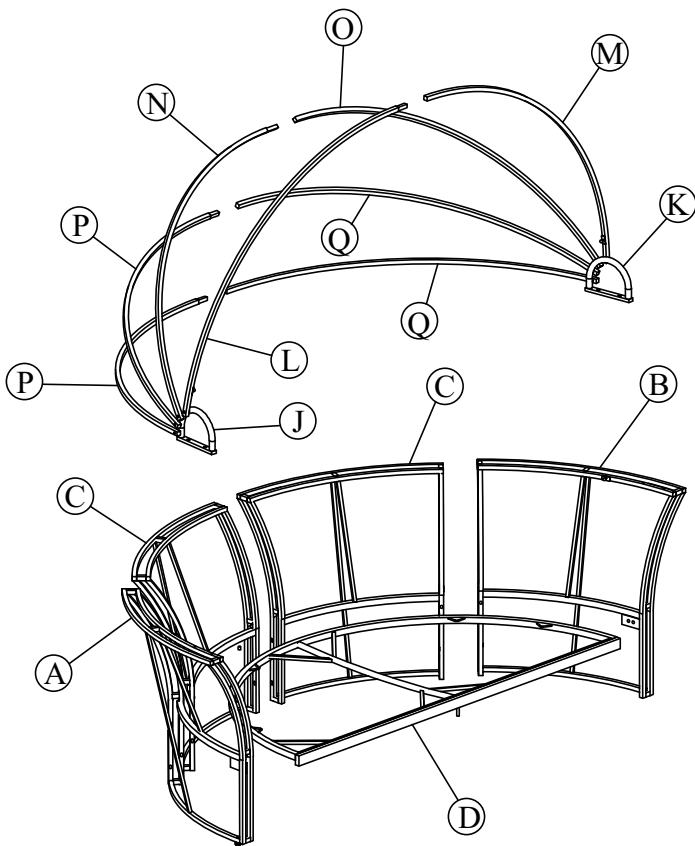
DAYBED WITH CANOPY



NOTE: 50% TIGHTEN BEFORE FIXING ALL BOLTS

Note, if you find any problems with the product, including rattan slack, breakage, assembly difficulties, etc, you can consult us for solutions.

(1 x Daybed)

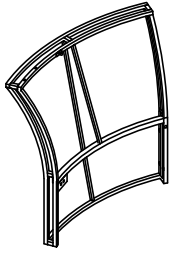


Notice:

1. 50% Tighten before fixing all screws, Allen wrench is recommended instead of an electric drill.
2. Place the item on a flat ground to adjust and make sure it remains stable
3. Tighten up all screws with tools gradually.
4. If the screws are not aligned with holes during assembly, please loosen all the other screws to 50% and continue the assembly process.
5. If the item is not stable, please loosen all the screws, adjust it on a flat ground and tighten up all screws again.
6. Note : If one or some screws are fully tightened during assembly, chances are the others will not be aligned with holes. In addition, all the holes are designed to be relatively larger to provide more space for the adjustment of the screws.

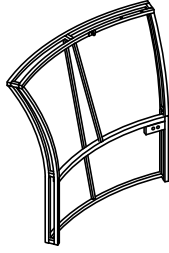
Part List

A



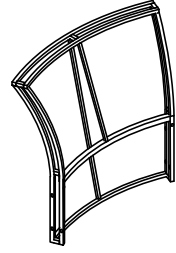
Right Frame (1 pc)

B



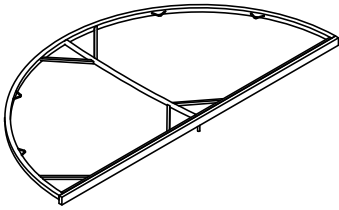
Left Frame (1 pc)

C



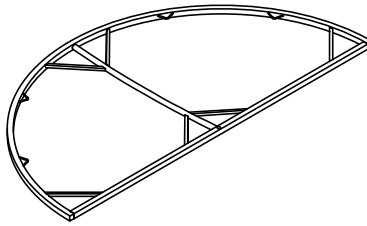
Back Frame (2 pcs)

D



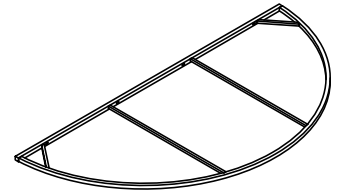
Seat Bench Frame (1 pc)

E



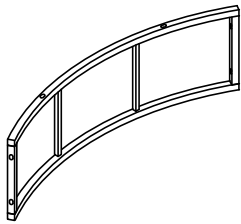
Seat Stool Frame (1 pc)

F



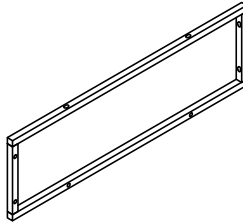
Stool Sheft Frame (1 pc)

G



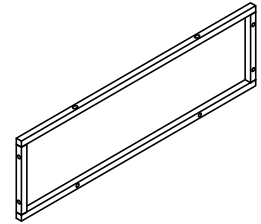
Side Stool (3 pcs)

H



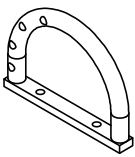
Right Side Stool (1 pc)

I



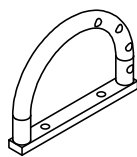
Left Side Stool (1 pc)

J



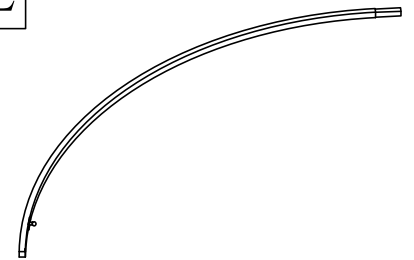
Arm Right Frame (1 pc)

K



Arm Left Frame (1 pc)

L



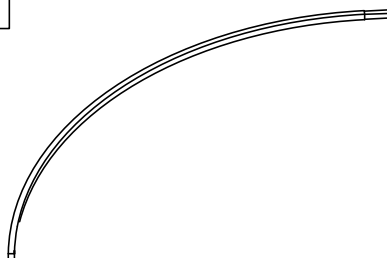
Canopy Frame L (1 pc)

M



Canopy Frame M (1 pc)

N



Canopy Frame N (1 pc)

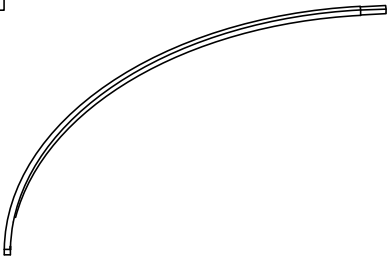
O



Canopy Frame O (1 pc)

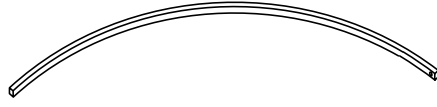
Part List

P



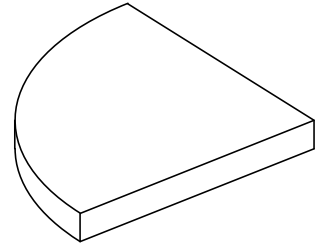
Canopy Frame P (2 pcs)

Q



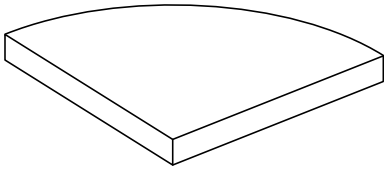
Canopy Frame Q (2 pcs)

R



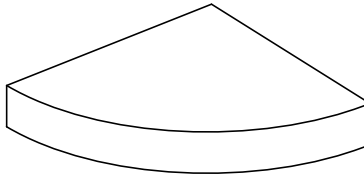
Right Bench Cushion (1 pc)

S



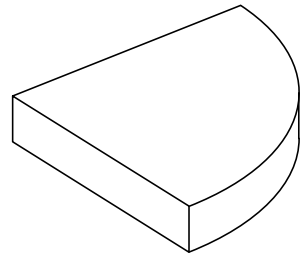
Left Bench Cushion (1 pc)

T



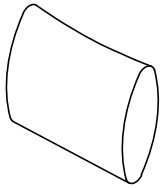
Right Stool Cushion (1 pc)

U



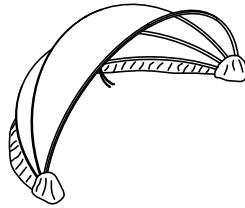
Left Stool Cushion (1 pc)

V



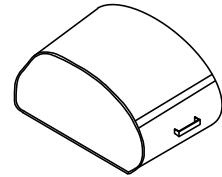
Pillow (4 pcs)

W



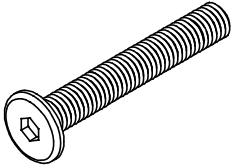
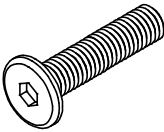
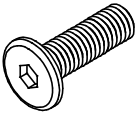
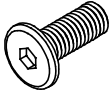


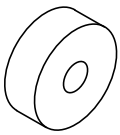
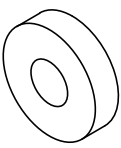
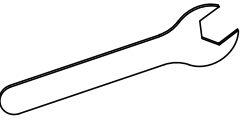
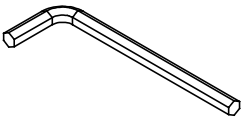
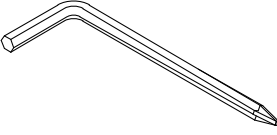
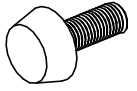
Waterproof canopy (1 pc)

X



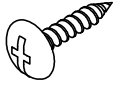
Cover Cushion (2 pcs)

Hardware List

<p>1</p>  <p>Bolt M6 x 55 mm 13 pcs + extra 2 pcs</p>	<p>2</p>  <p>Bolt M6 x 35 mm 28 pcs + extra 2 pcs</p>	<p>3</p>  <p>Bolt M6 x 25 mm 4 pcs + extra 1 pc</p>
<p>4</p>  <p>Bolt M6 x 15 mm 33 pcs + extra 3 pcs</p>	<p>5</p>  <p>M6 x 1 mm Washers 91 pcs + extra 3 pcs</p>	<p>6</p>  <p>Eru M6 13 pcs + extra 2 pcs</p>
<p>7</p>  <p>M6 x 16 x5 mm Washers 8 pcs + extra 1 pc</p>	<p>8</p>  <p>M10 x 25 x5 mm Washers (1 pc)</p>	<p>9</p>  <p>Spanner (1 pc)</p>
<p>10</p>  <p>Allen key M4 (2 pcs)</p>	<p>11</p>  <p>Allen key M4 (1 pc)</p>	<p>12</p>  <p>Feet cap M6 x 15 mm 18 pcs + extra 2 pcs</p>

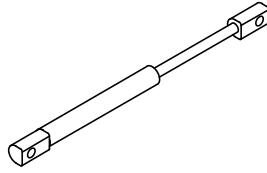
Hardware List

13



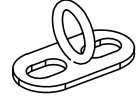
Screw
4 pcs + extra 1 pc

14



Gas Bar (2 pcs)

15



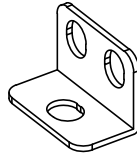
Keeper Plate (1 pc)

16



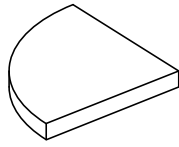
Keeper Plate (8 pcs)

17

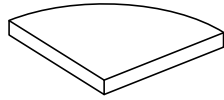


Keeper Plate (5 pcs)

CARTON CONTENT:



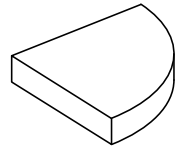
R x 1



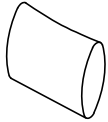
S x 1



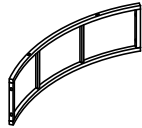
T x 1



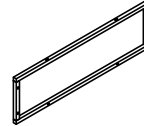
U x 1



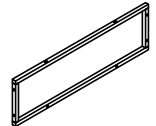
V x 2



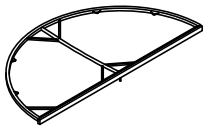
G x 3



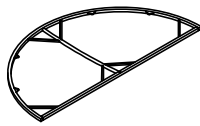
H x 1



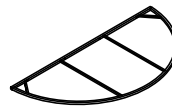
I x 1



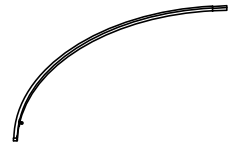
D x 1



E x 1



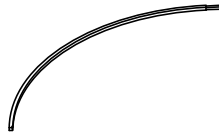
F x 1



L x 1



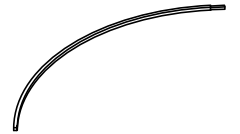
M x 1



N x 1



O x 1



P x 2



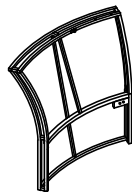
Q x 2



HARDWARE



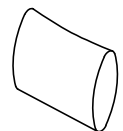
A x 1



B x 1



C x 2



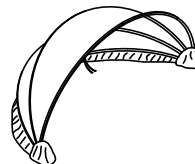
V x 2



J x 1



K x 1



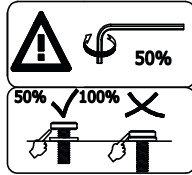
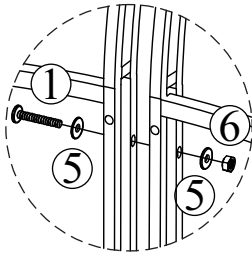
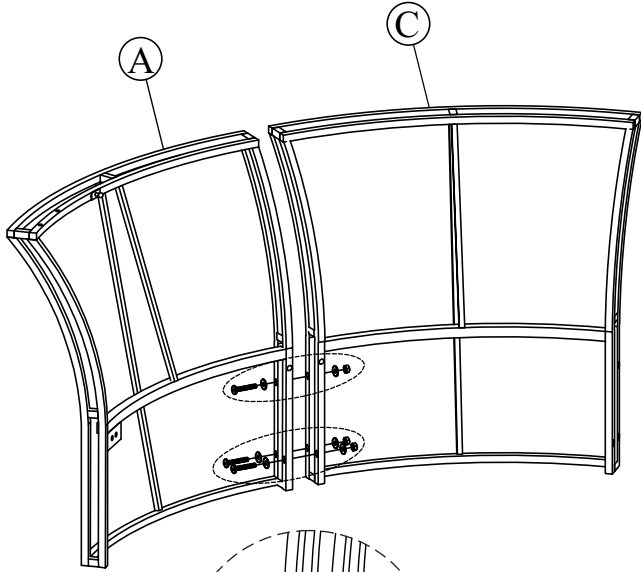
W x 1



X x 2

STEP 1

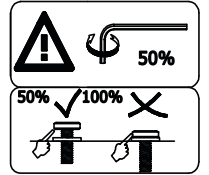
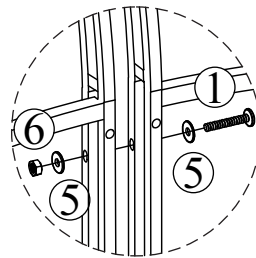
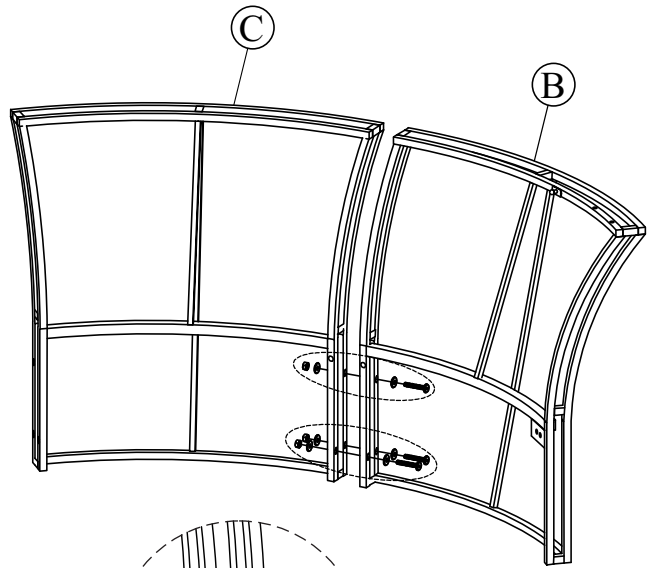
Connect Right Frame (A) & Back Frame (C) with Bolt (1), Eru (6) & Washers (5)



A*1 C*1 ①*3 ⑤*6 ⑥*3

STEP 2

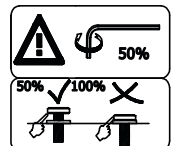
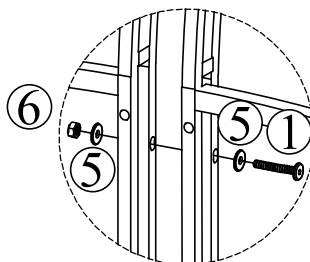
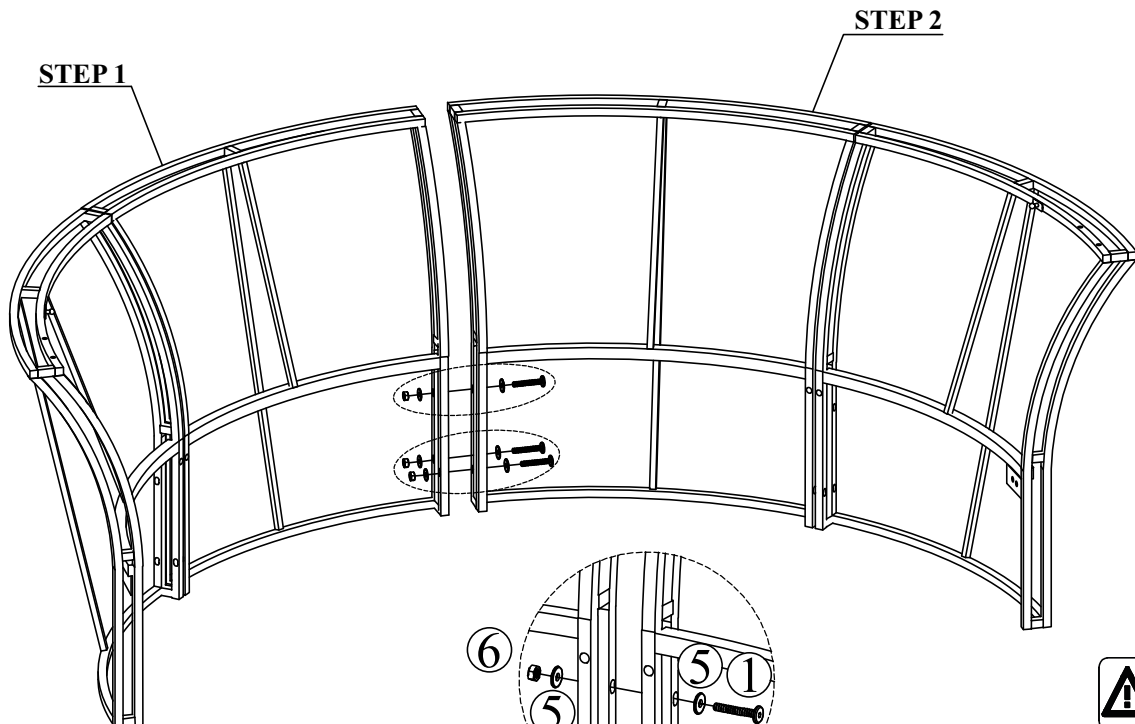
Connect Left Frame (B) & Back Frame (C) with Bolt (1), Eru (6) & Washers (5)



B*1 C*1 ①*3 ⑤*6 ⑥*3

STEP 3

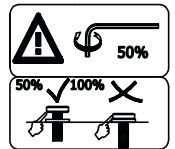
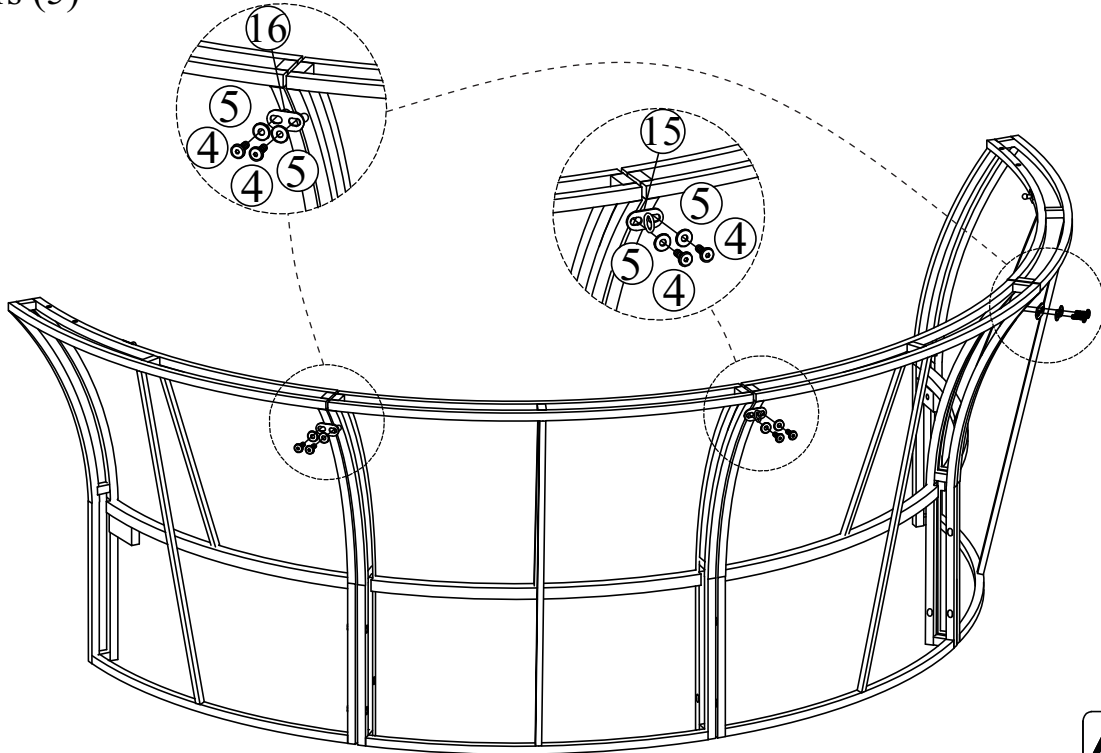
Connect part from Step 1 & part from Step 2 with Bolt (1), Eru (6) & Washers (5)



①*3 ⑤*6 ⑥*3

STEP 4

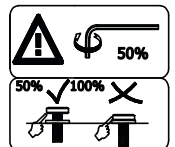
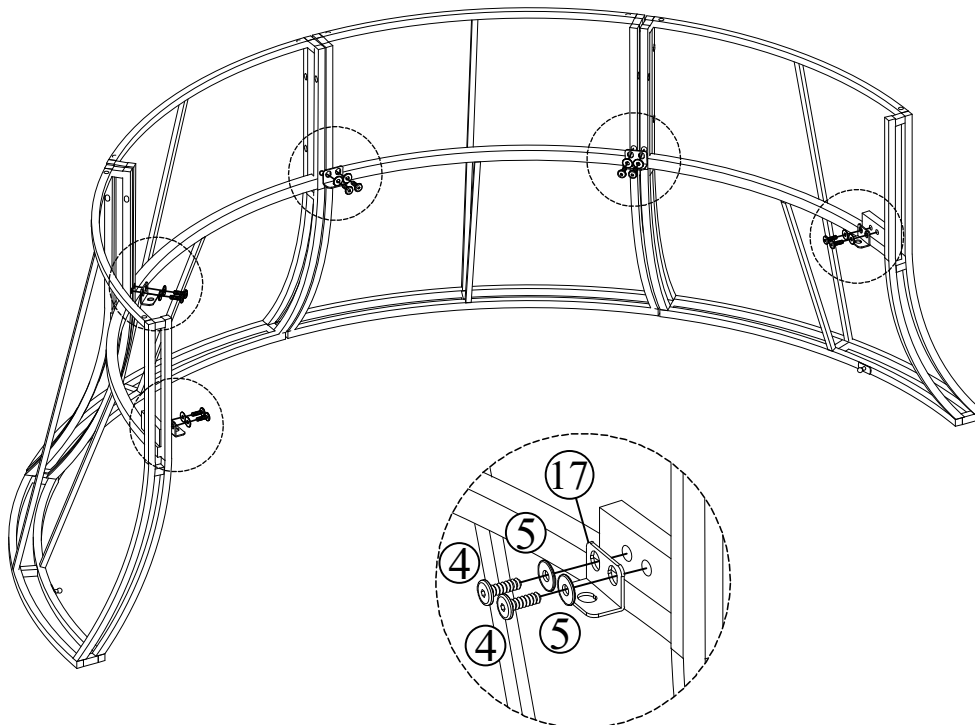
Connect part from Step 3 & Keeper Plate (15) & Keeper Plate (16) with Bolt (4), Washers (5)



④*6 ⑤*6 ⑮*1 ⑯*2

STEP 5

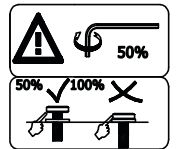
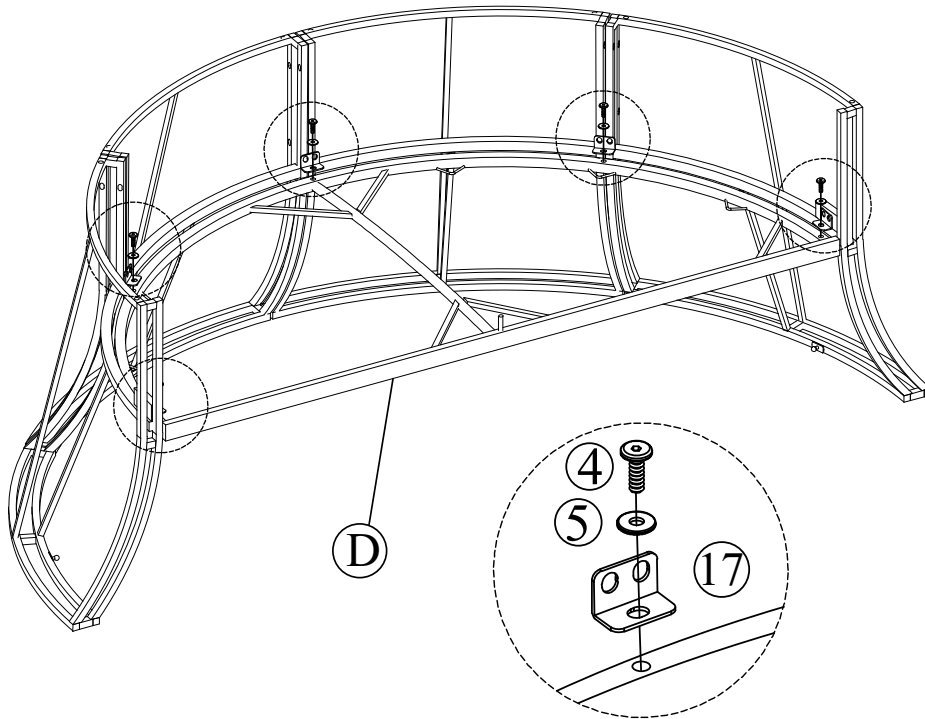
Connect part from Step 4 & Keeper Plate (17) with Bolt (4), Washers (5)



④*10 ⑤*10 ⑰*5

STEP 6

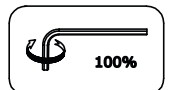
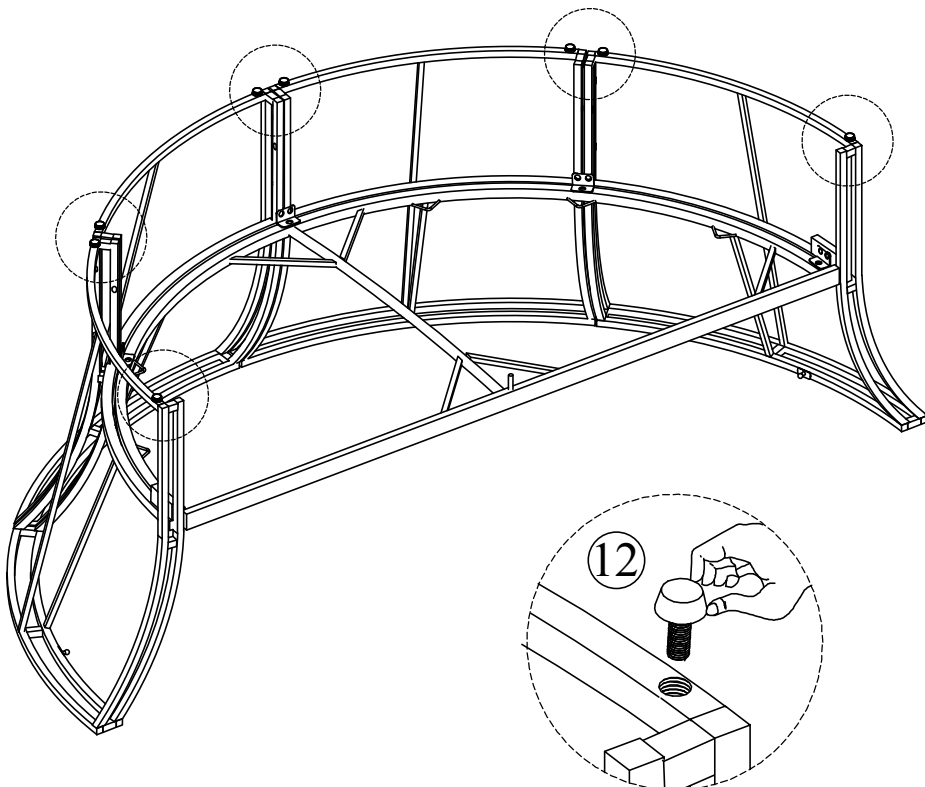
Connect part from Step 5 & Seat Bench Frame (D) with Bolt (4), Washers (5)



D*1 ④*5 ⑤*5

STEP 7

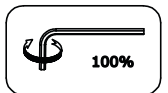
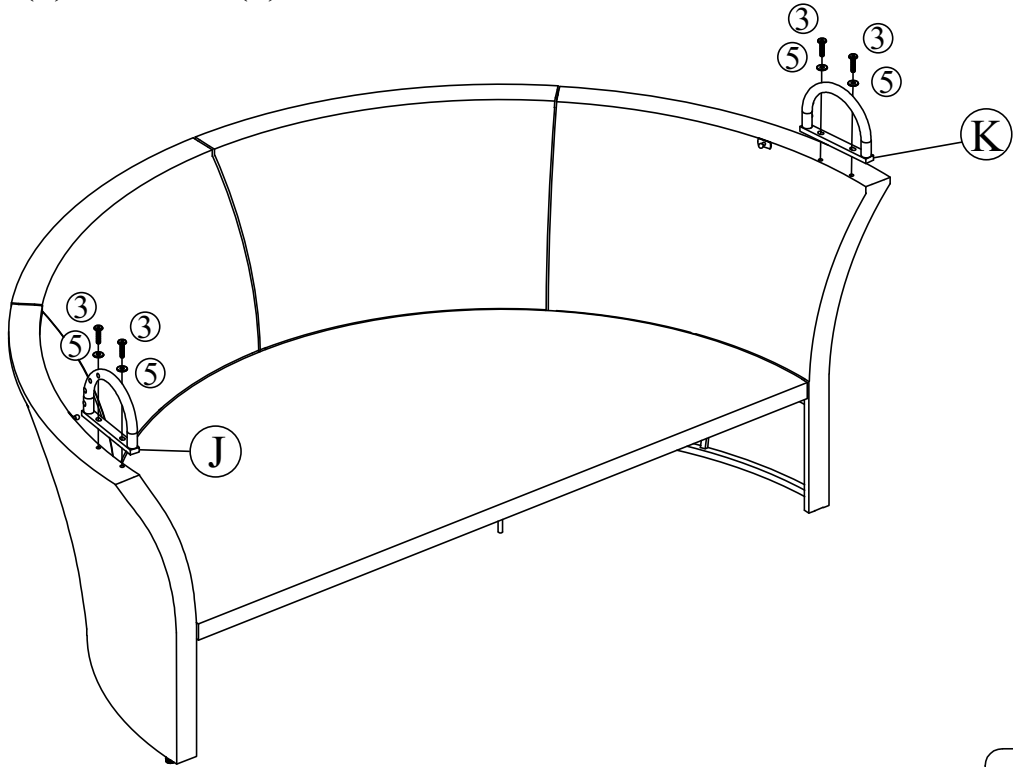
Connect part from Step 6 with Feet cap (12)



⑫*8

STEP 8

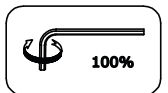
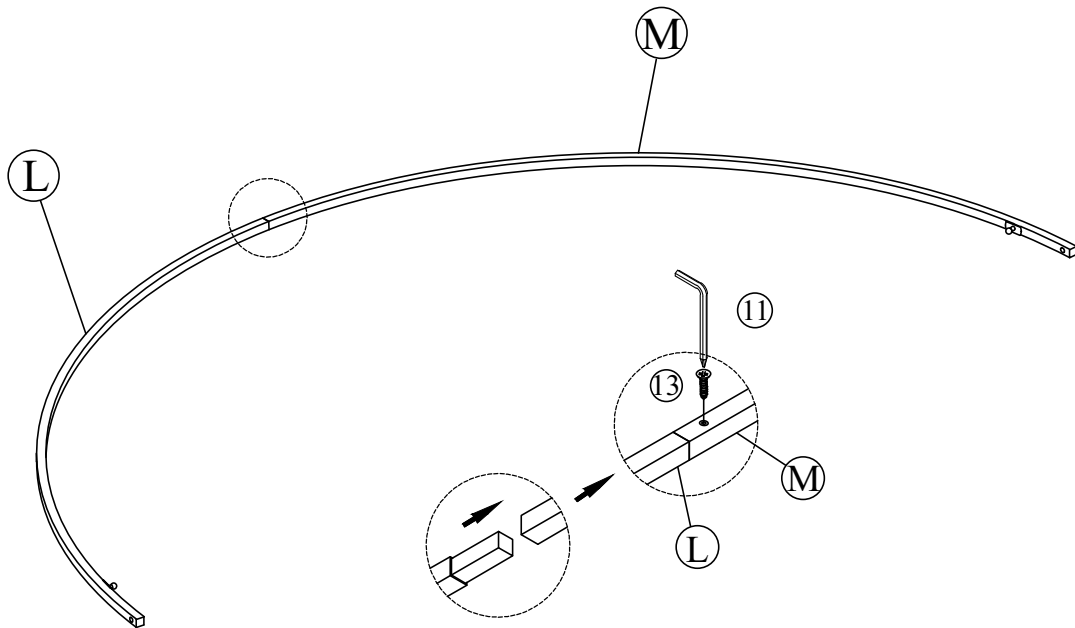
Connect part from Step 7 & Arm Right Frame (J) & Arm Left Frame (K) with Bolt (3), Washers (5)



J*1 K*1 ③*4 ⑤*4

STEP 9

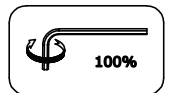
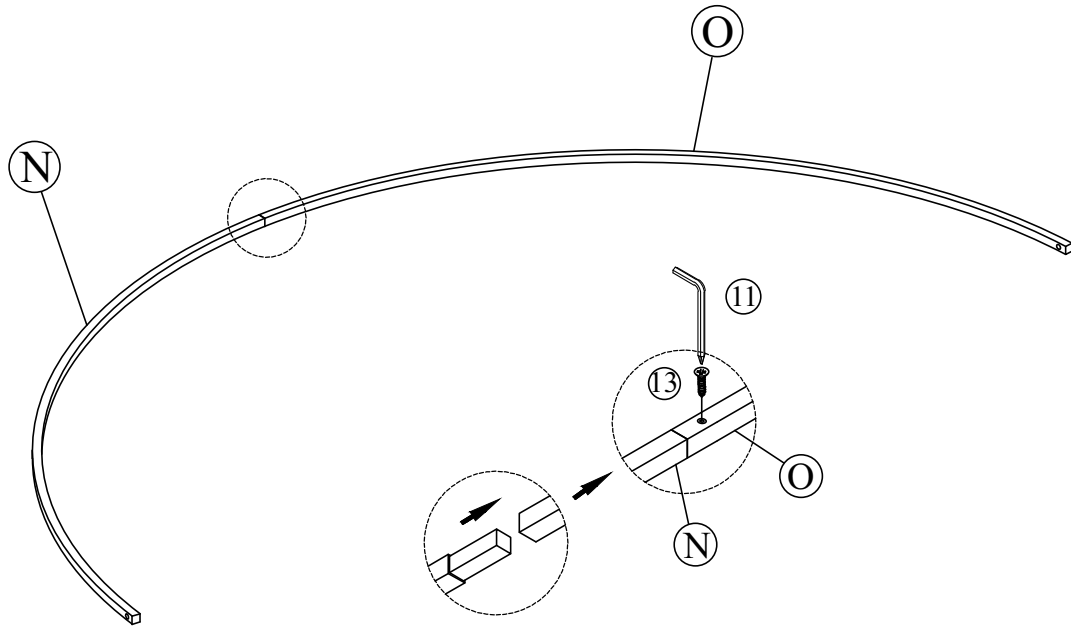
Connect Canopy Frame (L) & Canopy Frame (M) with Screw (13)



L*1 M*1 ⑬*1

STEP 10

Connect Canopy Frame (N) & Canopy Frame (O) with Screw (13)

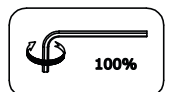
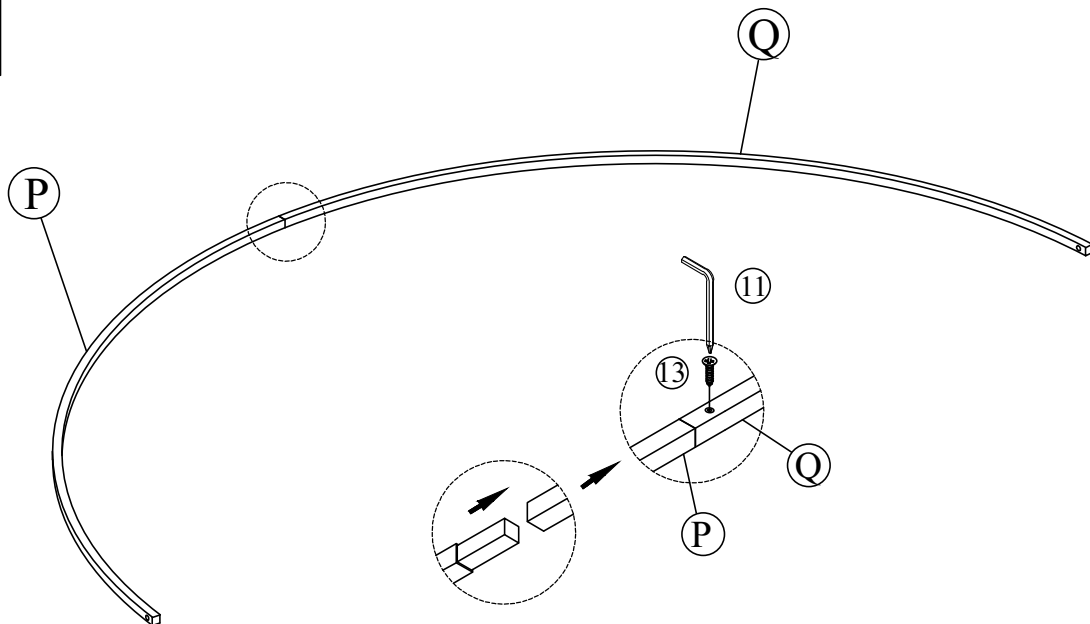


N*1 O*1 13*1

STEP 11

Connect Canopy Frame (P) & Canopy Frame (Q) with Screw (13)

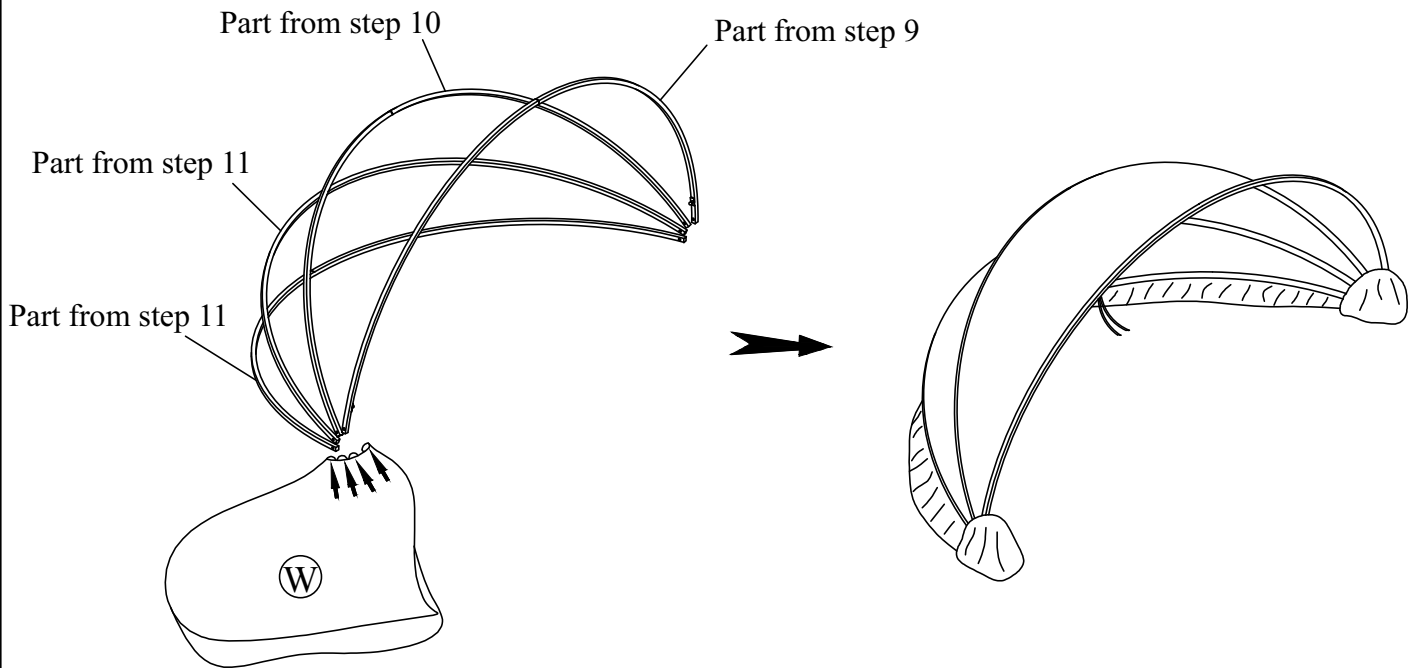
x2



P*1 Q*1 13*1

STEP 12

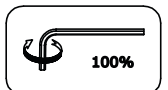
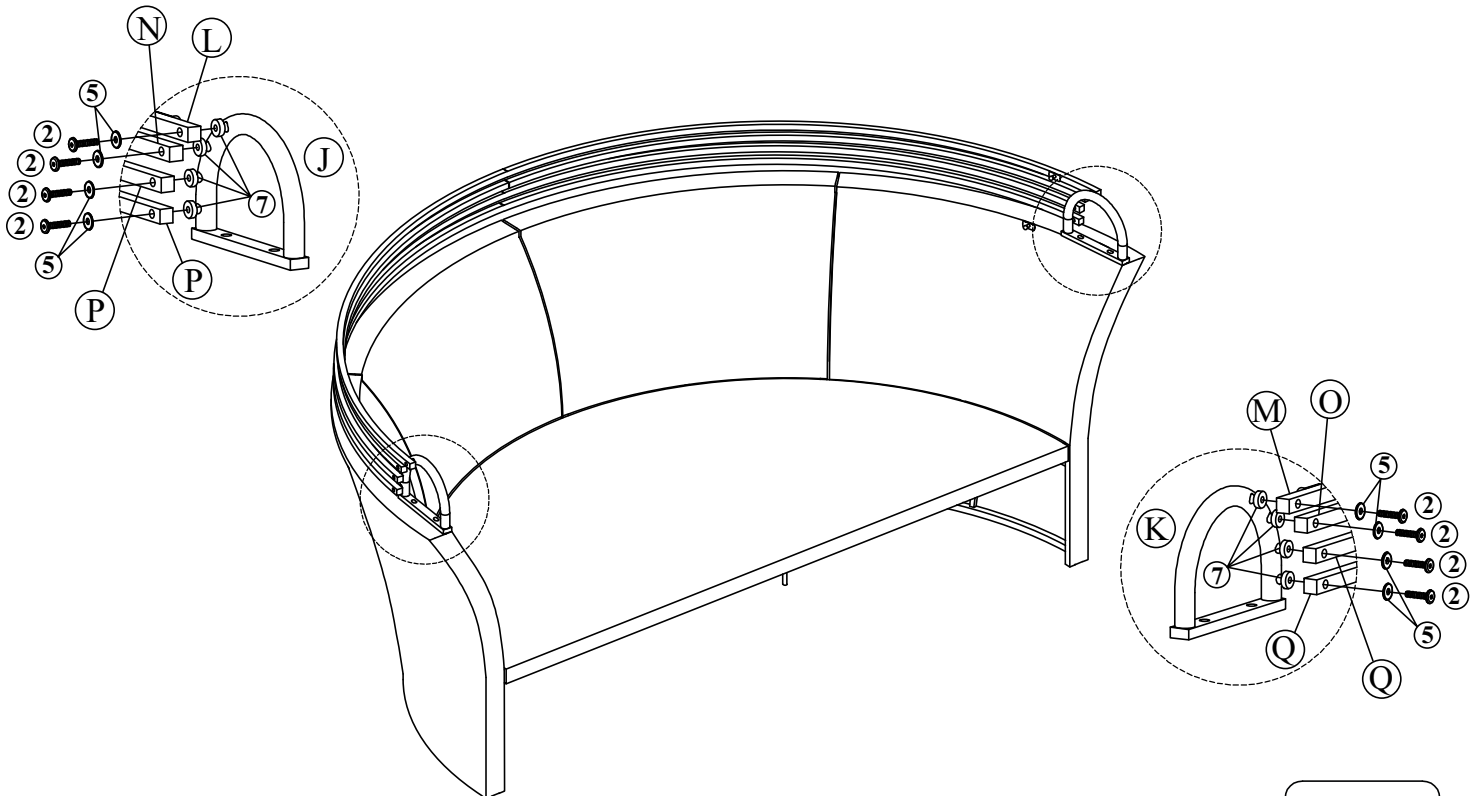
Connect part from Step 9 & part from Step 10 & part from Step 11 with Waterproof Canopy (W)



W*1

STEP 13

Connect part from Step 8 & part from Step 12 with Bolt (2), Washers (5),(7)



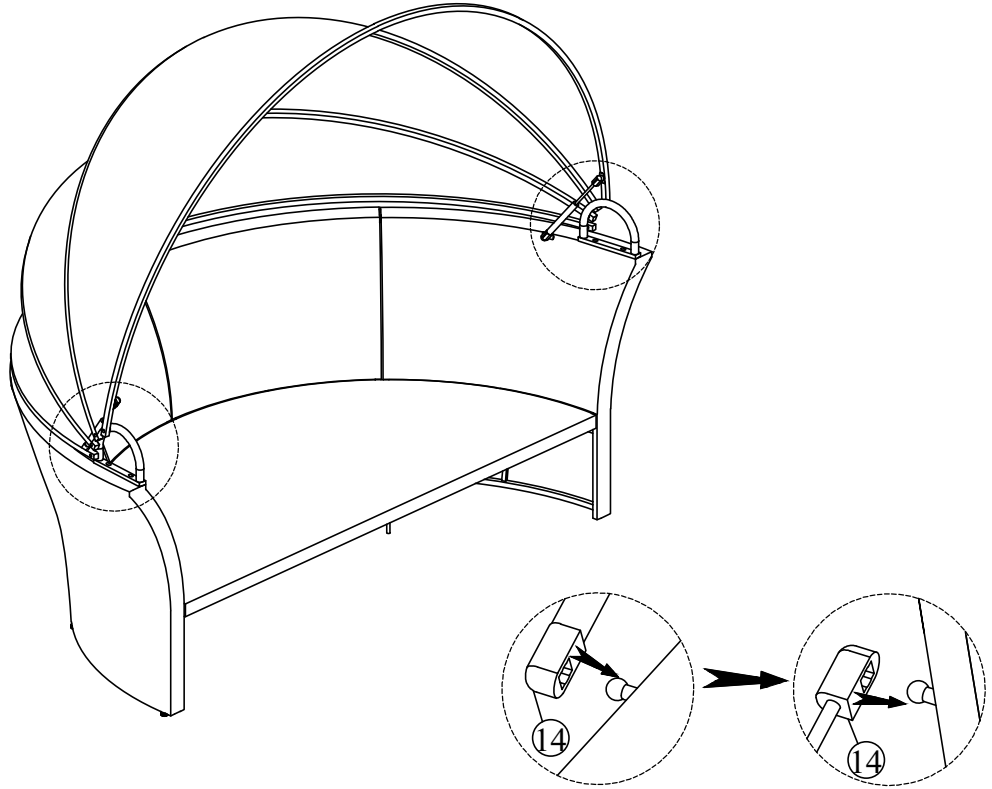
②*8

⑤*8

⑦*8

STEP 14

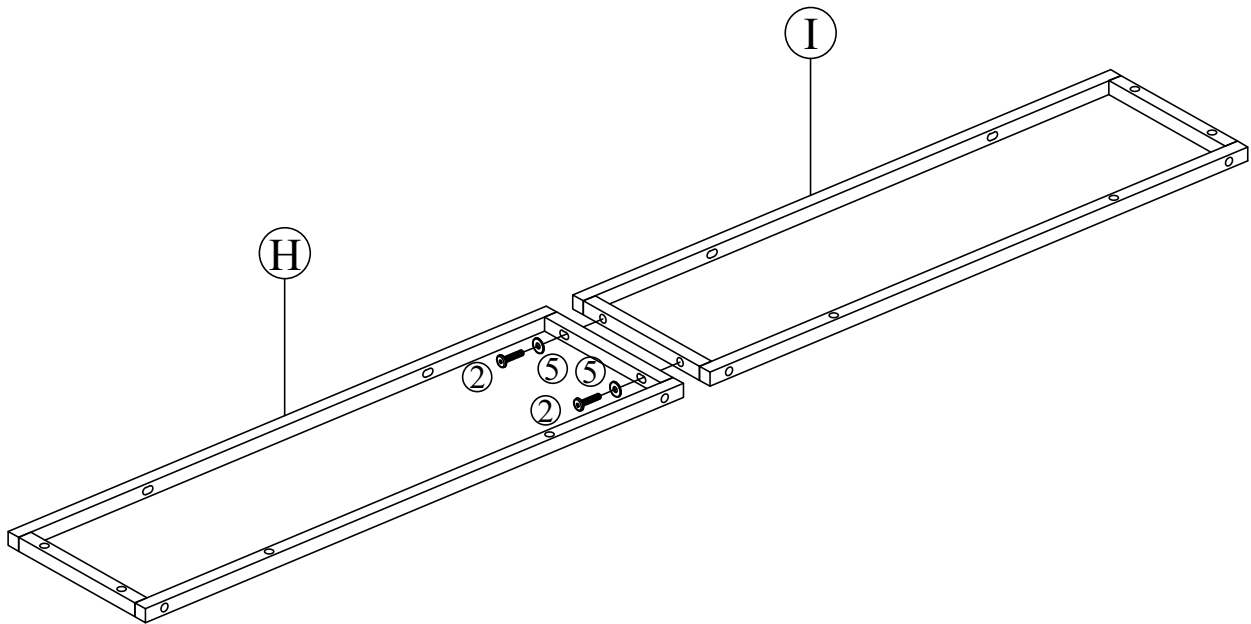
Connect part from Step 13 with Gas Bar (14)



⑭*2

STEP 15

Connect Right Side Stool (H) & Left Side Stool (I) with Bolt (2), Washers (5)

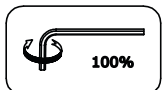


H*1

I*1

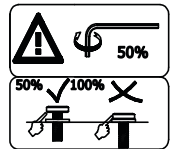
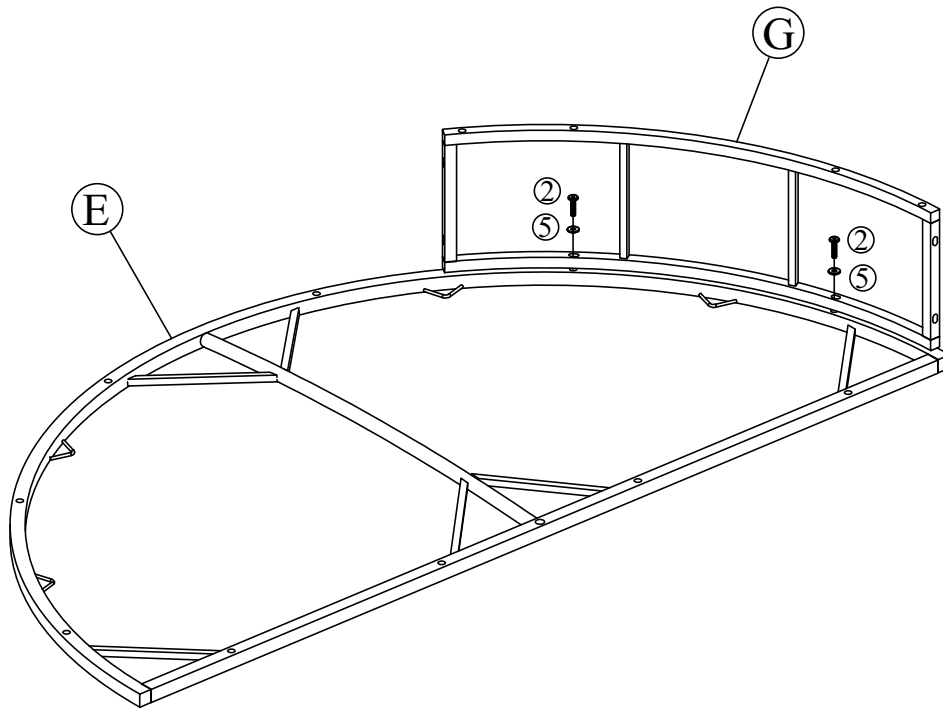
②*2

⑤*2



STEP 16

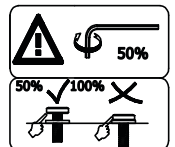
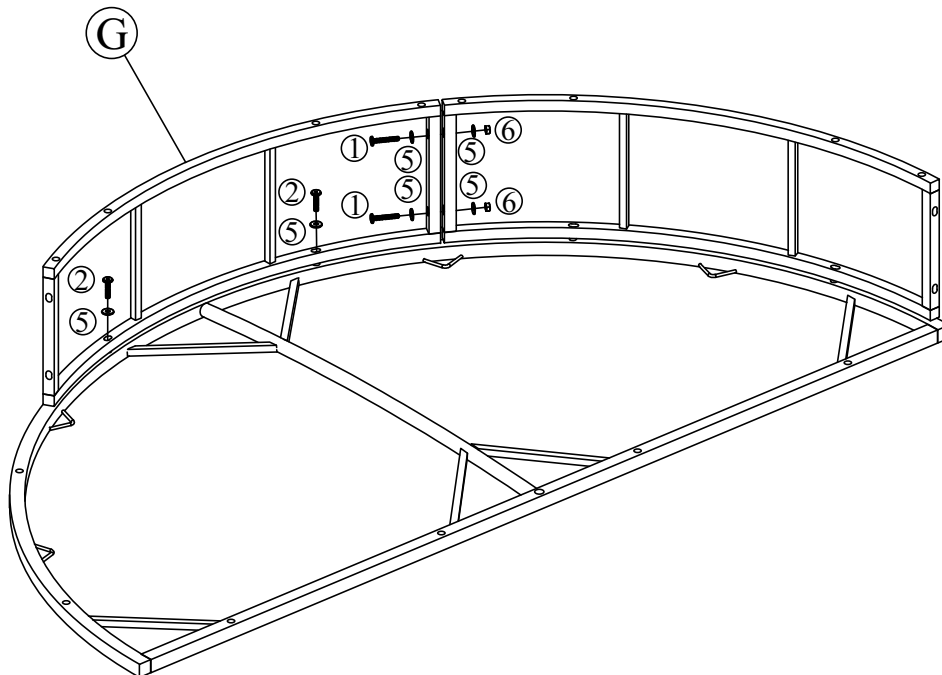
Connect Seat Stool Frame (E) & Side Stool (G) with Bolt (2), Washers (5)



E*1 G*1 ②*2 ⑤*2

STEP 17

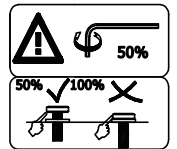
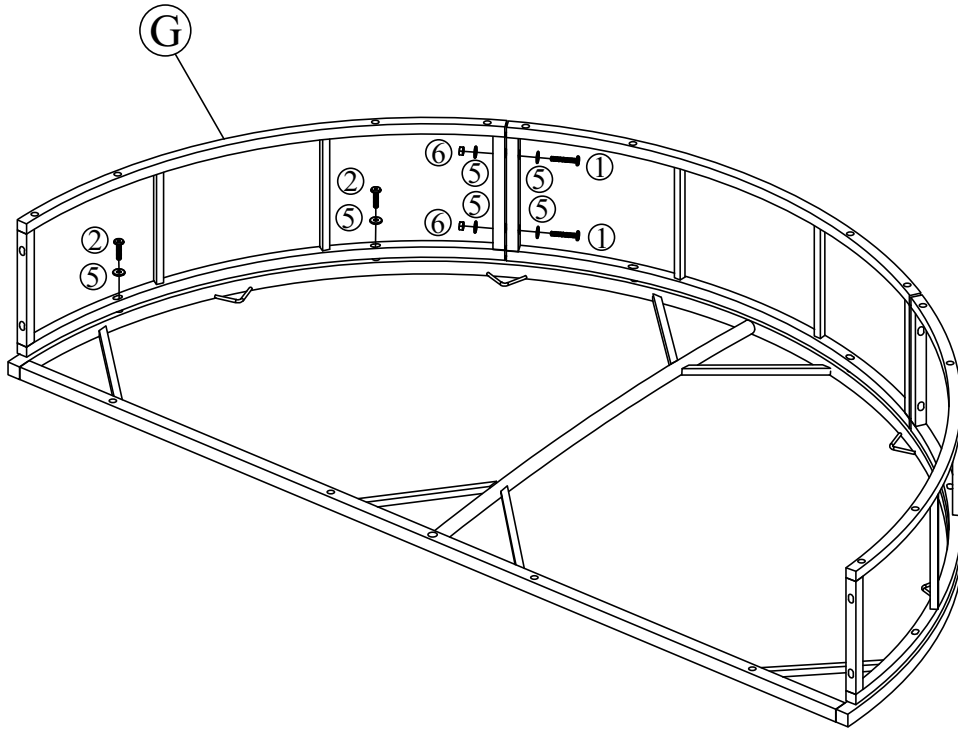
Connect part from Step 16 & Side Stool (G) with Bolt (1),(2) & Washers (5) & Eru (6)



G*1 ①*2 ②*2 ⑤*6 ⑥*2

STEP 18

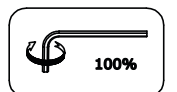
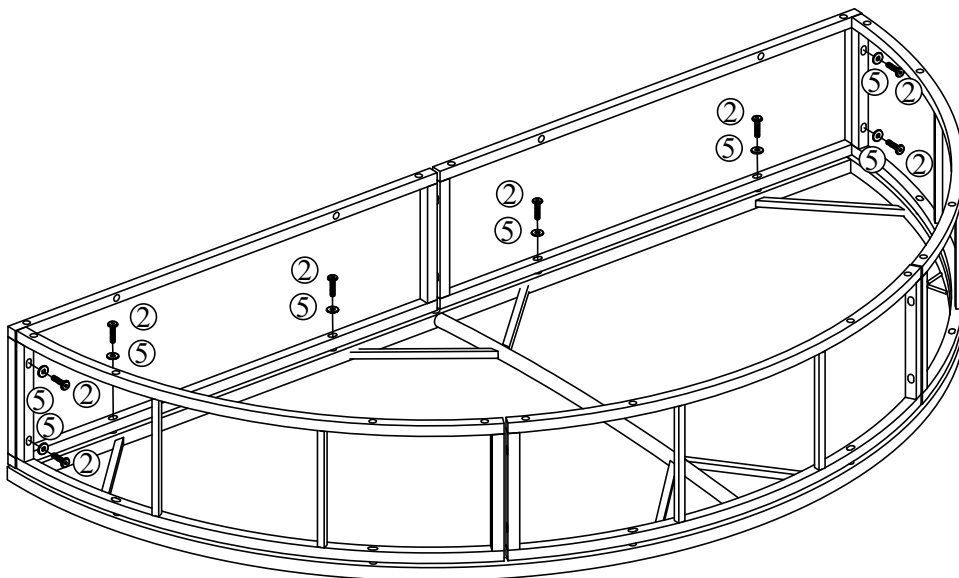
Connect part from Step 17 & Side Stool (G) with Bolt (1),(2) & Washers (5) & Eru (6)



G*1 ①*2 ②*2 ⑤*6 ⑥*2

STEP 19

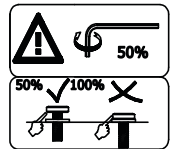
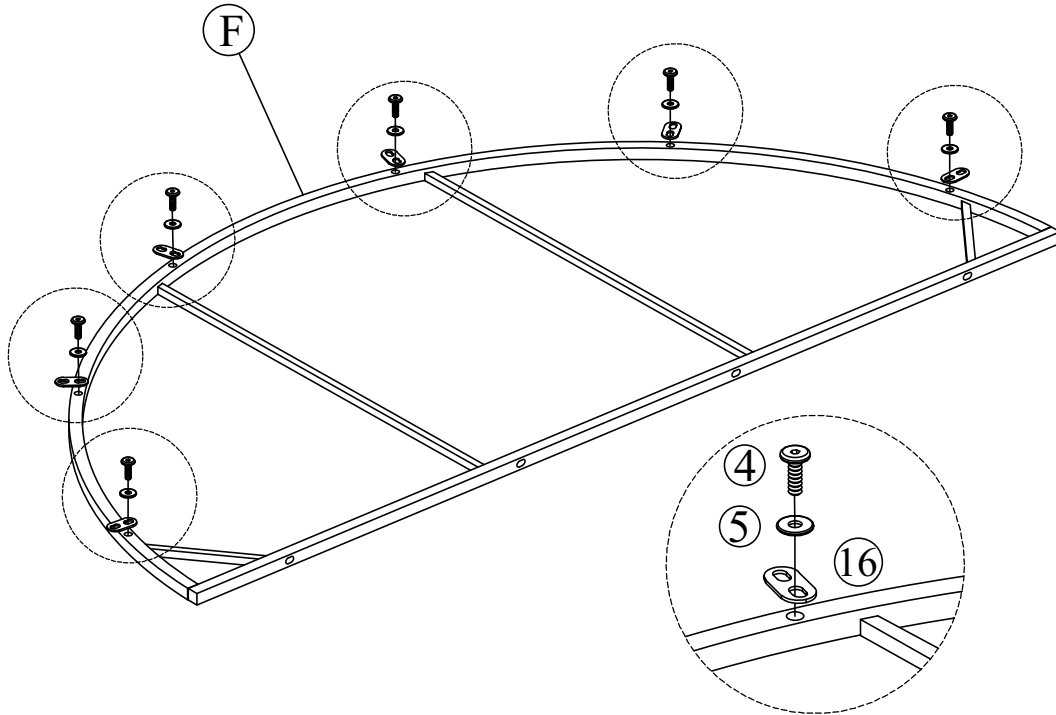
Connect part from Step 15 & part from Step 18 with Bolt (2), Washers (5)



②*8 ⑤*8

STEP 20

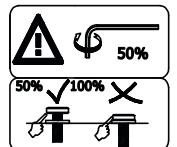
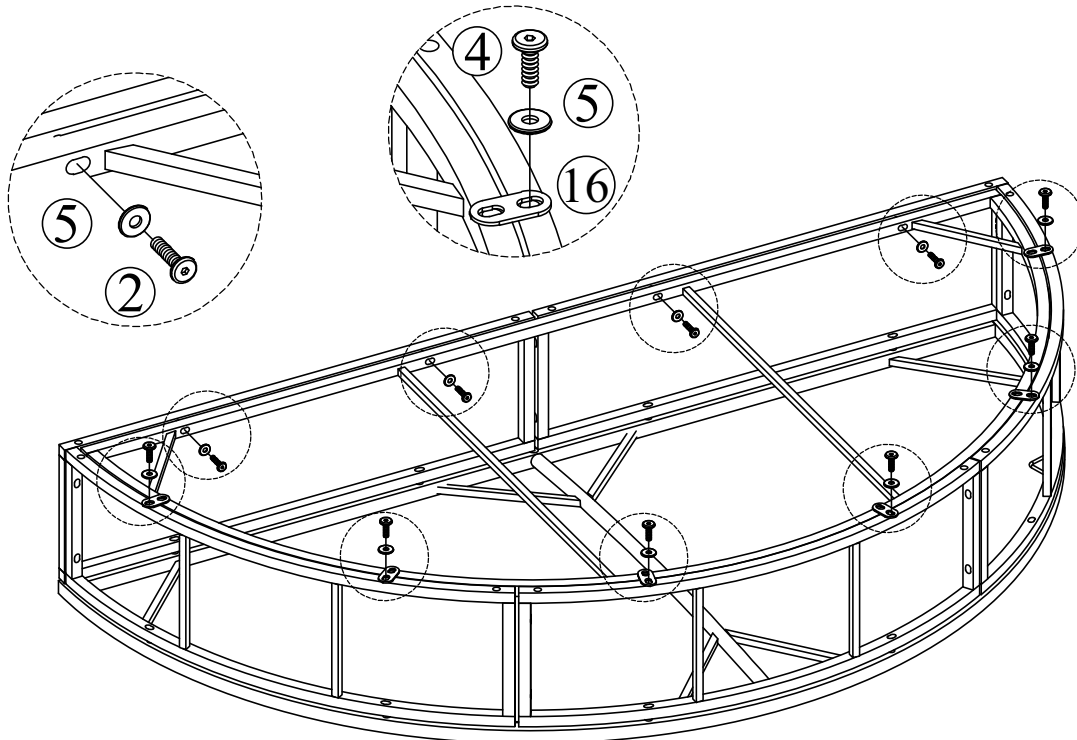
Connect Stool Sheft Frame (F) & Keeper Plate (16) with Bolt (4), Washers (5)



F*1 ④*6 ⑤*6 ⑯*6

STEP 21

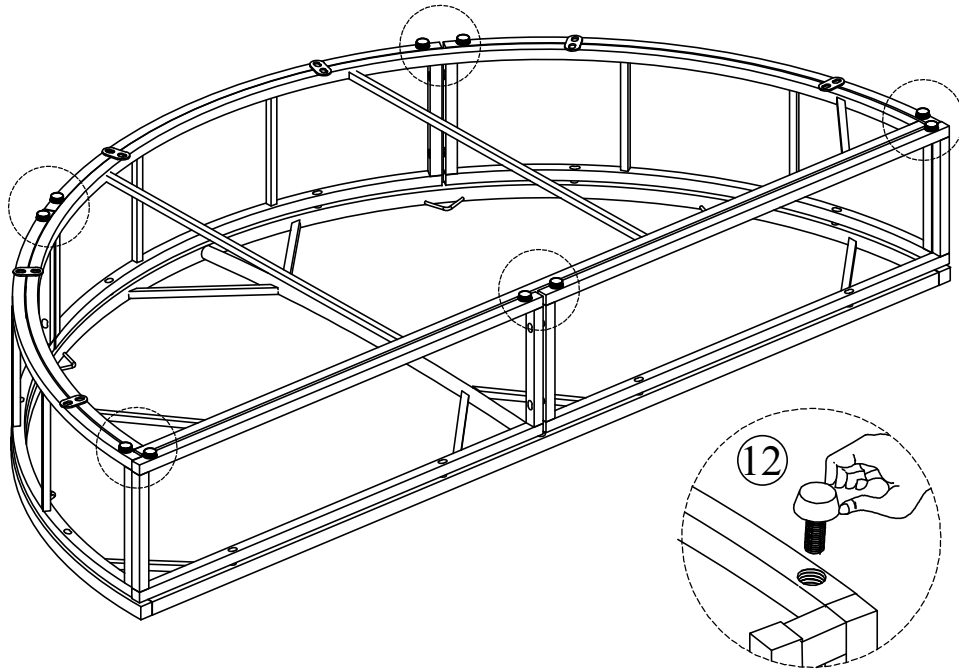
Connect part from Step 19 & part from Step 20 with Bolt (2),(4) & Washers (5)



②*4 ④*6 ⑤*10

STEP 22

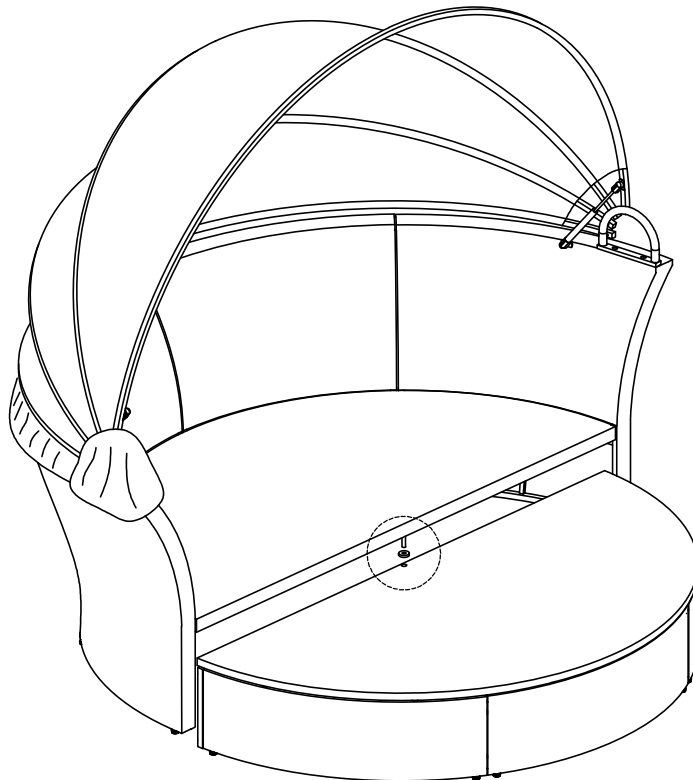
Connect part from Step 21 with Feet Cap (12)



⑫*10

STEP 23

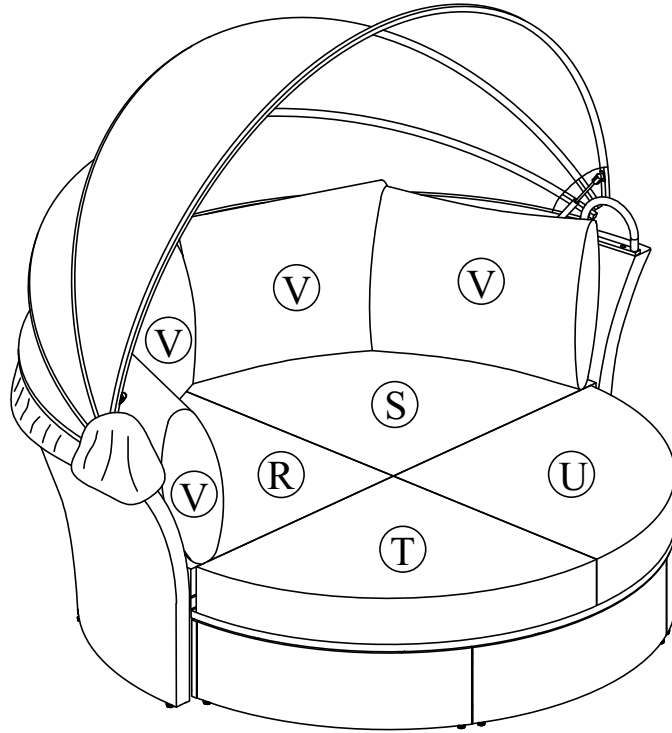
Connect part from Step 14 & part from Step 22 with Washers (8)



⑧*1

STEP 24

Put on Right Bench Cushion (R) & Left Bench Cushion (S) & Right Stool Cushion (T) & Left Stool Cushion (U) & Pillow (V) to complete Daybed

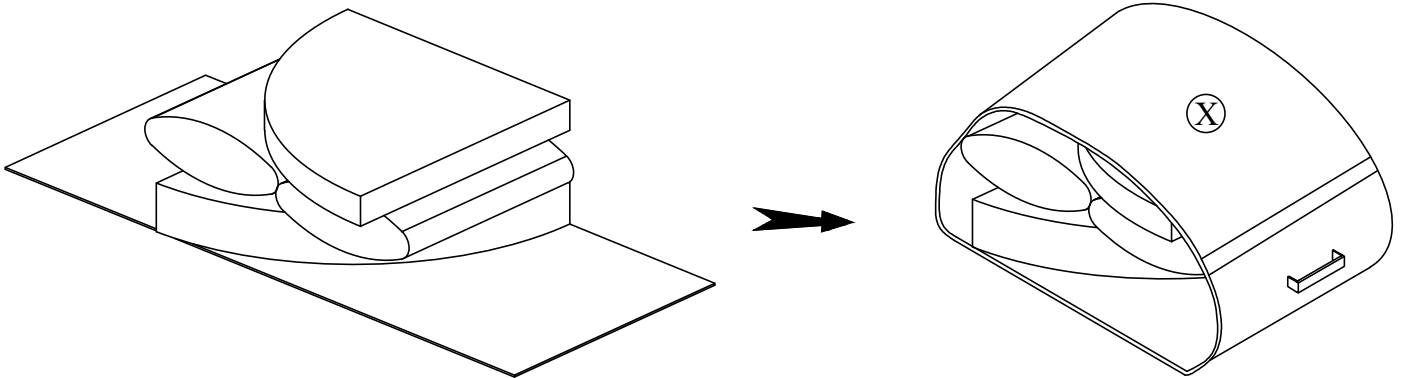


R*1 | S*1 | T*1 | U*1 | V*4

STEP 25

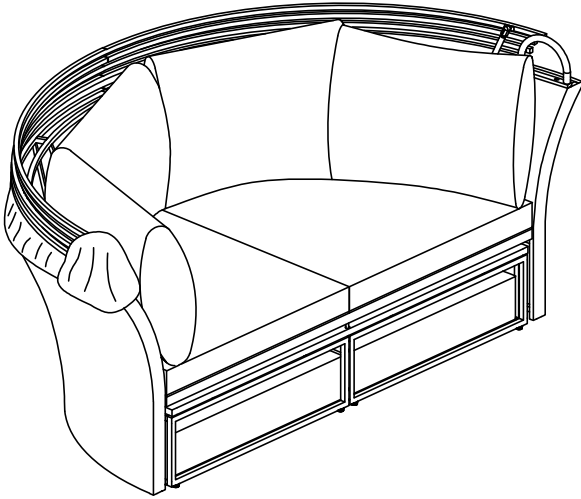
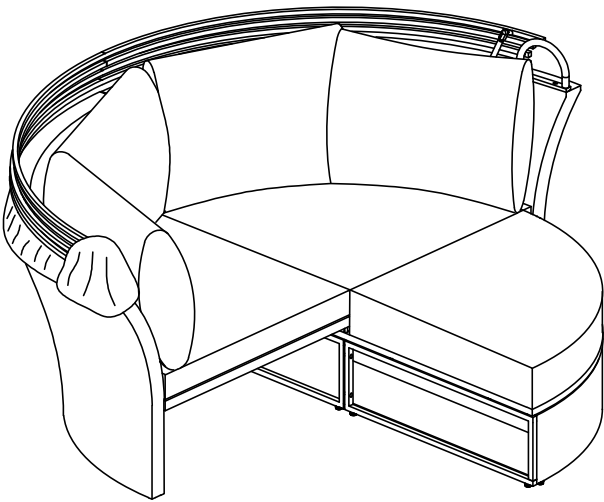
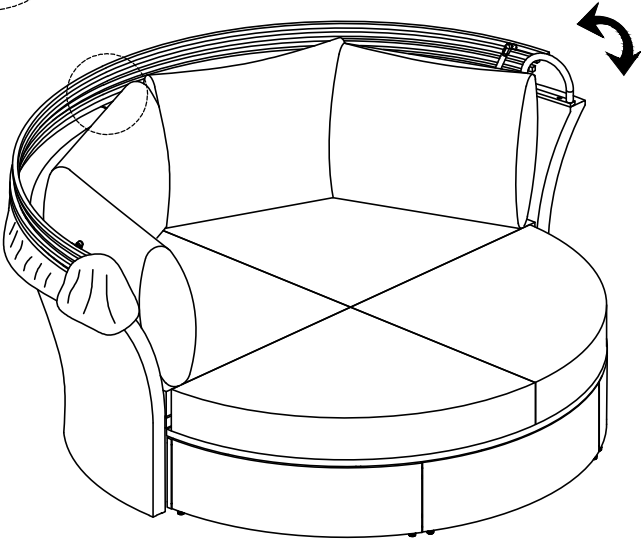
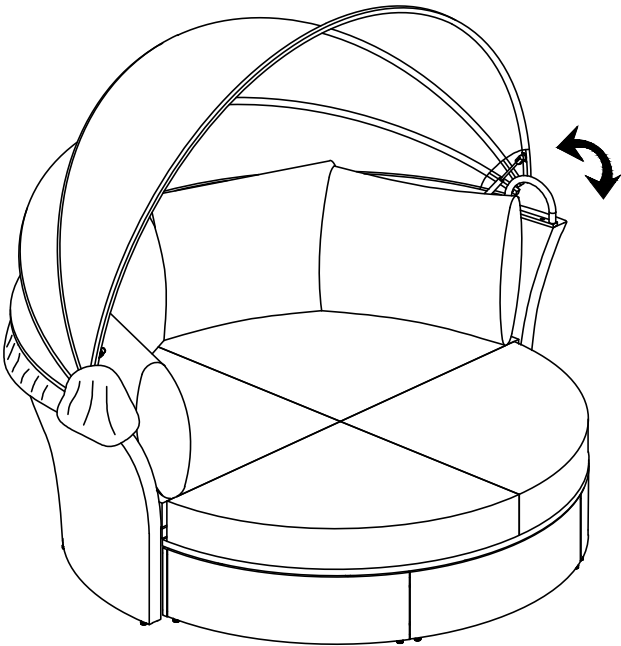
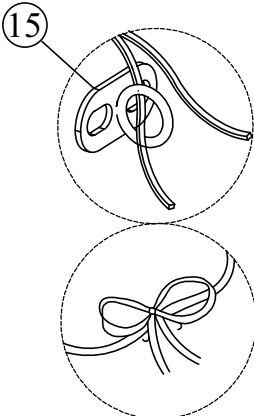
Cover the cushion with Cover Cushion (X) when not use

x2



X*1

Combination and Arrangement



FINISH