

ASSEMBLY INSTRUCTIONS



Serving Cart

ASSEMBLY INSTRUCTIONS

ASSEMBLY TIPS:

1. Remove hardware from box and sort by size.
2. Please check to see that all hardware and parts are present prior start of assembly.
3. Please follow attached instructions in the same sequence as numbered to assure fast & easy assembly.



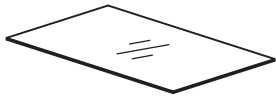
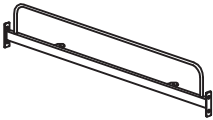
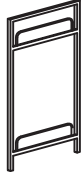
WARNING!

1. Don't attempt to repair or modify parts that are broken or defective .Please contact the store immediately.
2. This product is for home use only and not intended for commercial establishment.







ASSEMBLY TIME

15 MINUTES

PARTS IDENTIFICATION

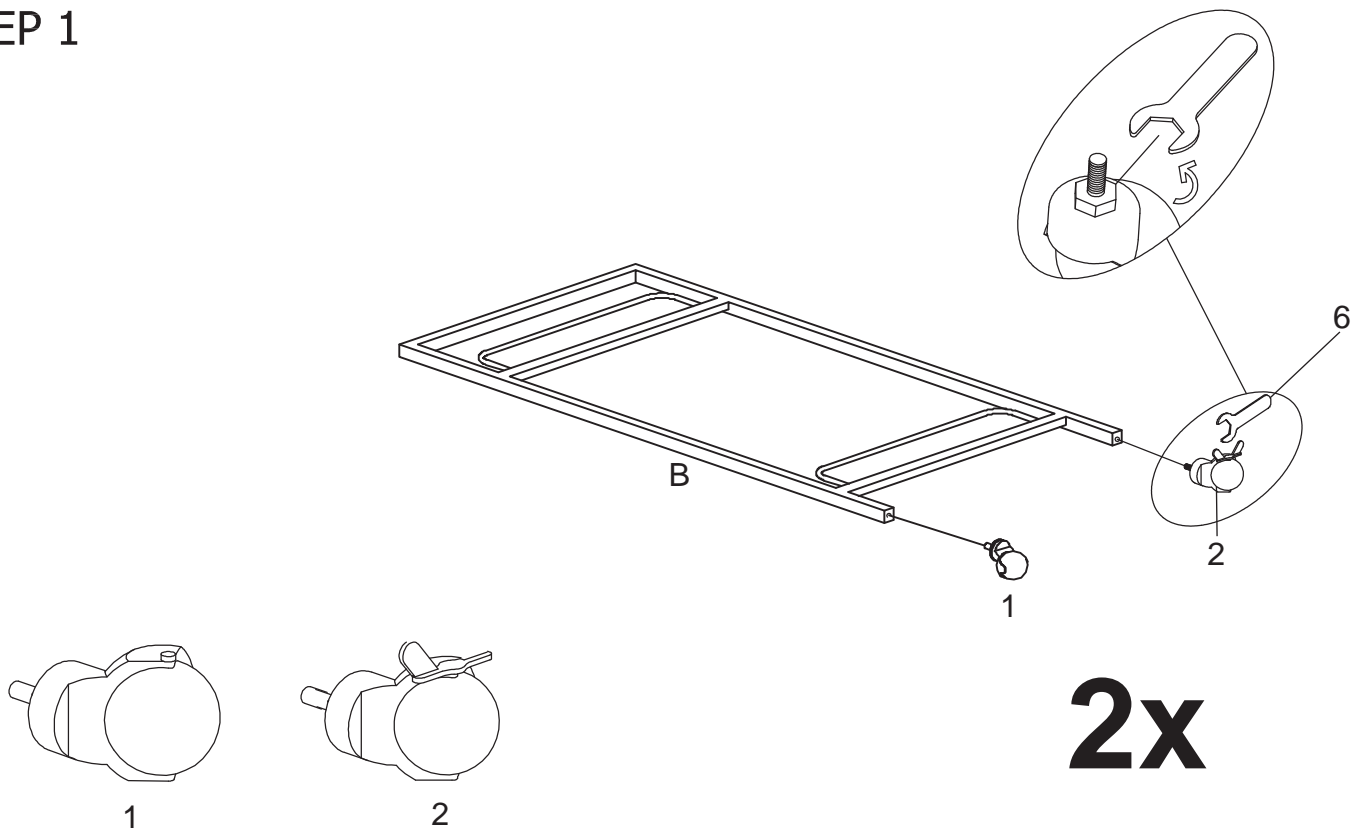
<p>A GLASS</p>  <p>2PCS</p>	<p>C CONNECTION FRAME</p>  <p>4PCS</p>
<p>B FRAME</p>  <p>2PCS</p>	

HARDWARE IDENTIFICATION

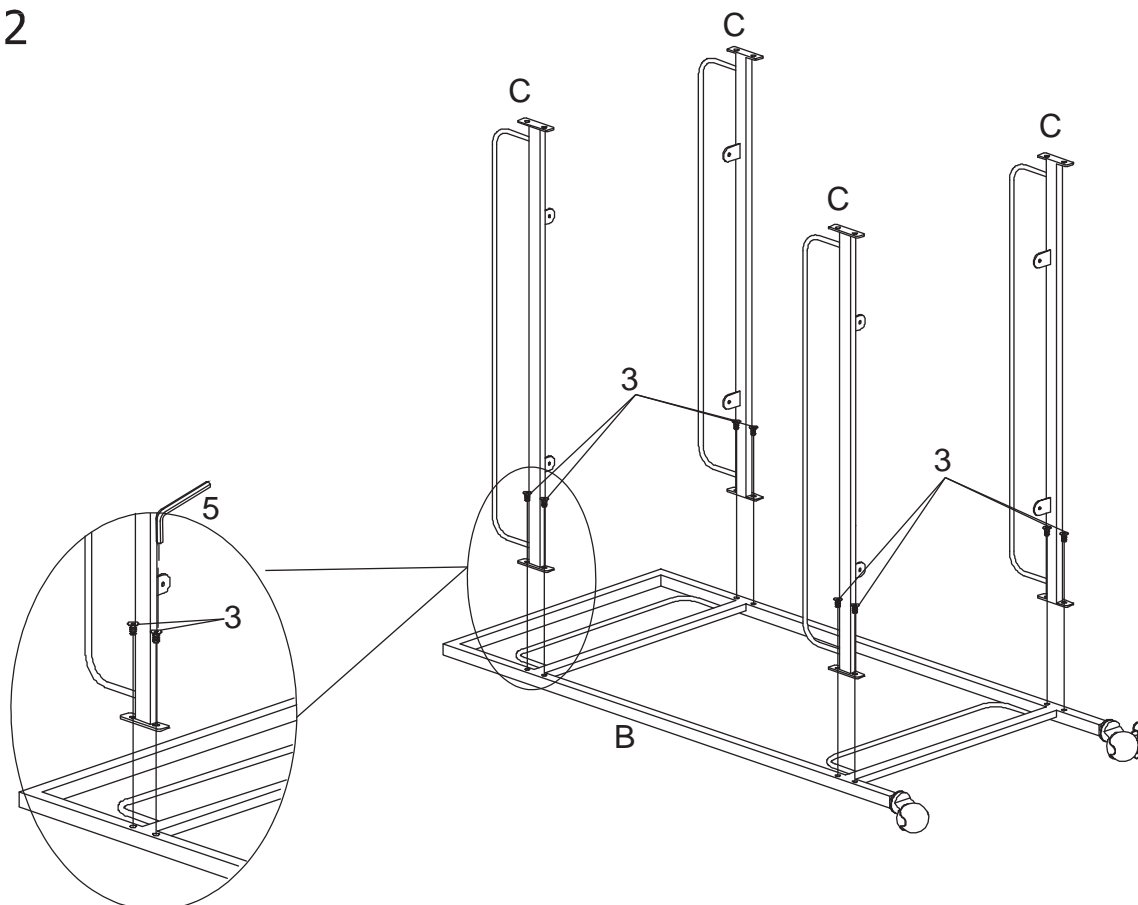
Z	HARDWARE PACK		
1	1.5" WHEELS WITHOUT BRAKES-BLK		2PCS
2	1.5" WHEELS WITH BRAKE-BLK		2PCS
3	BOLT M6*12MM-BLK		16PCS
4	SUCTION CUP Ø20MM		8PCS
5	ALLEN WRENCH M4-SR		1PC
6	SPANNER M14-SR		1PC

ASSEMBLY INSTRUCTIONS

STEP 1

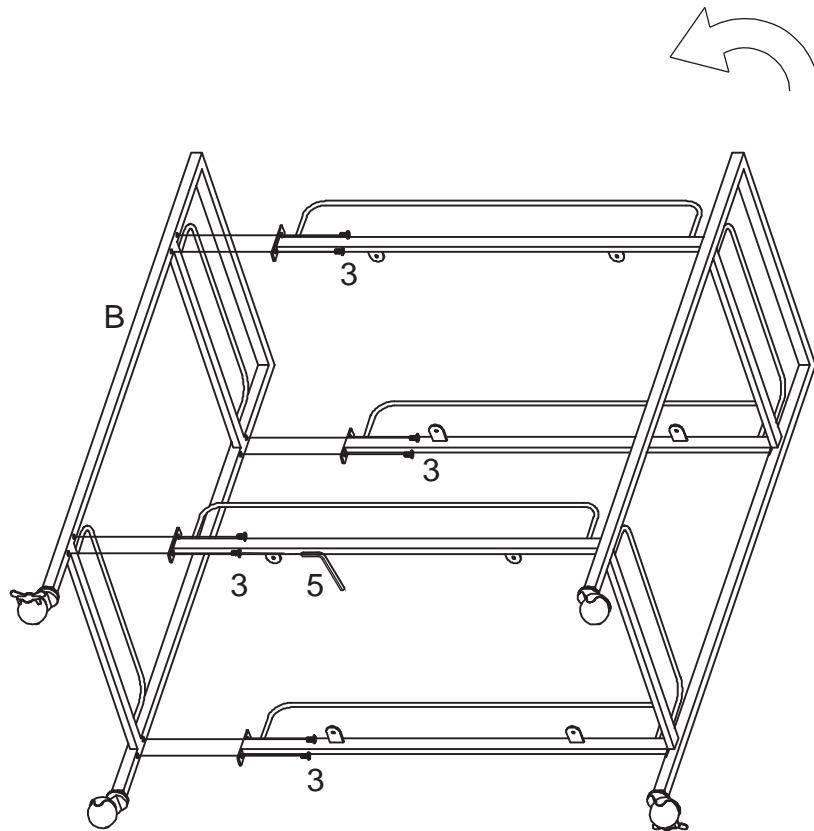


STEP 2

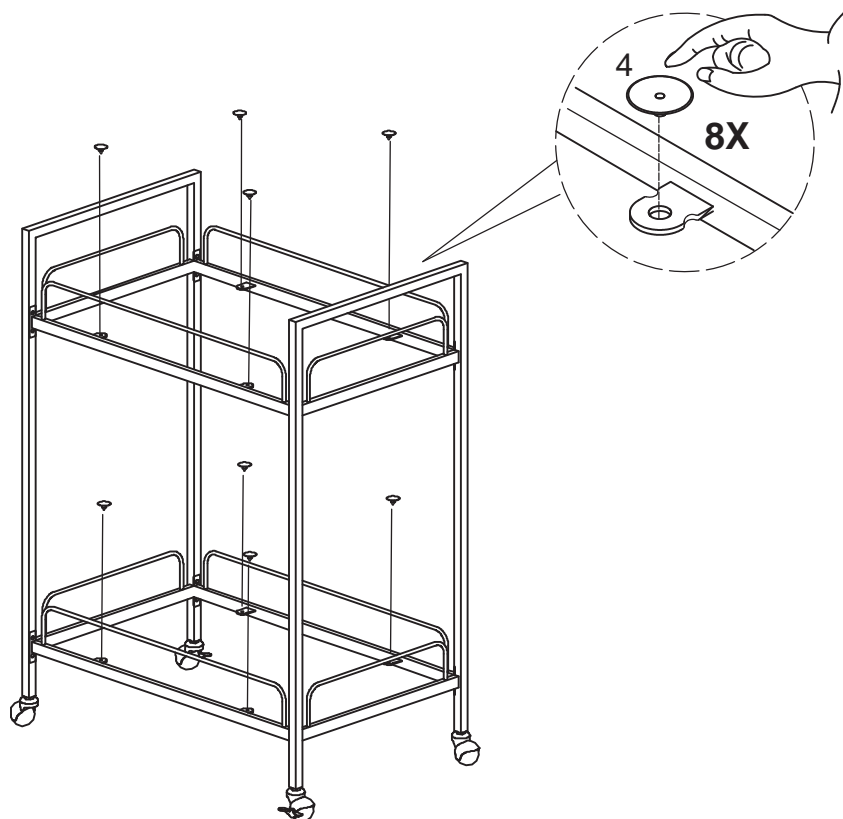


ASSEMBLY INSTRUCTIONS

STEP 3

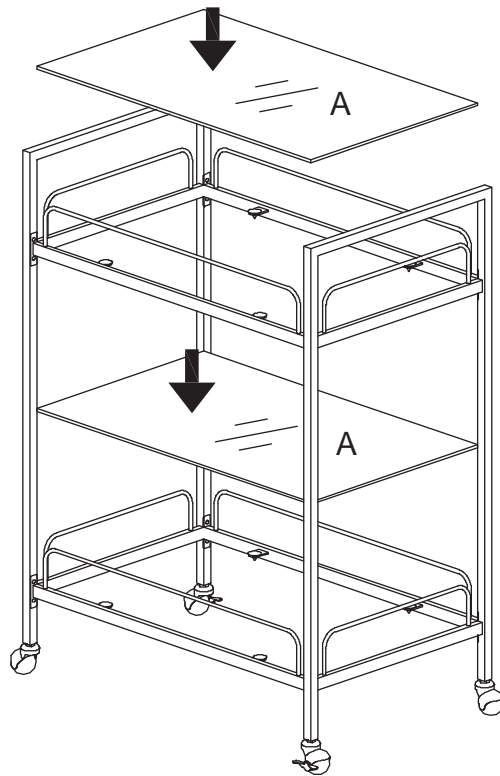


STEP 4

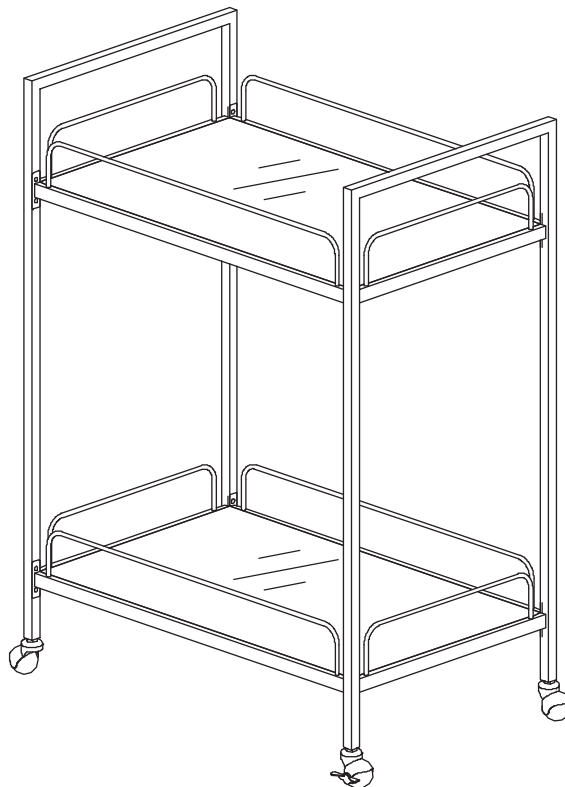


ASSEMBLY INSTRUCTIONS

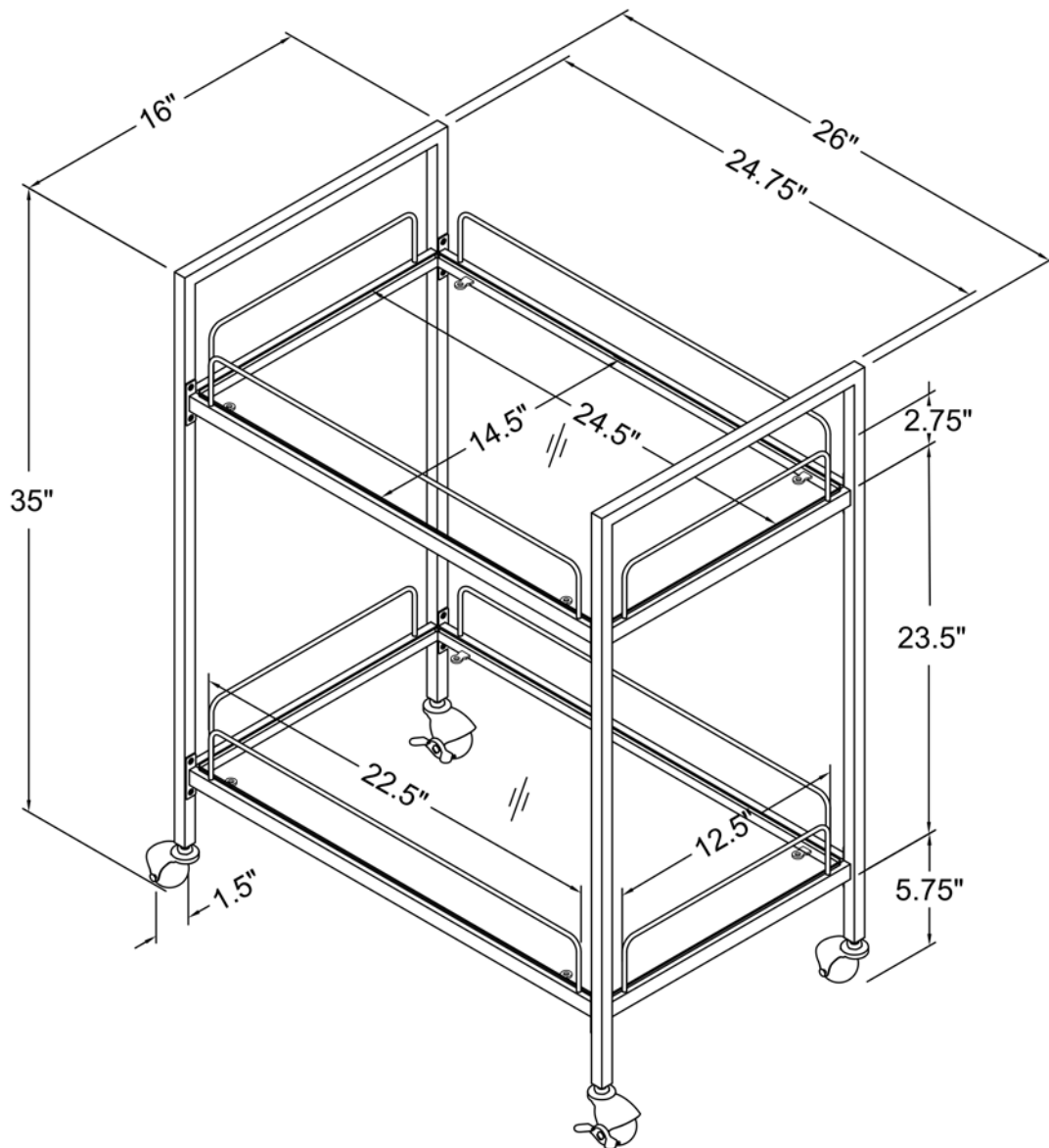
STEP 5



STEP 6



ASSEMBLY INSTRUCTIONS



Note :Dimension tolerance $\pm 5\%$