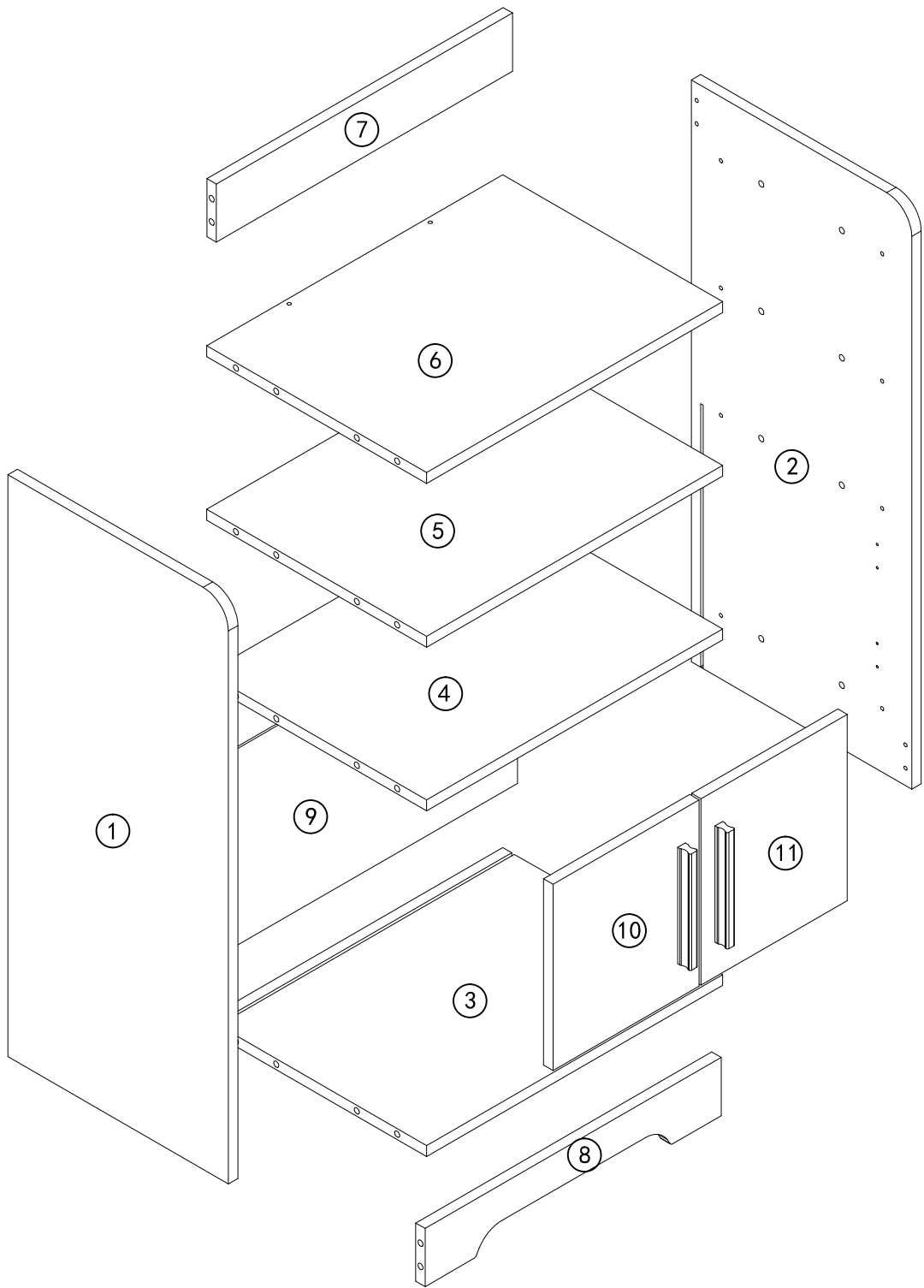
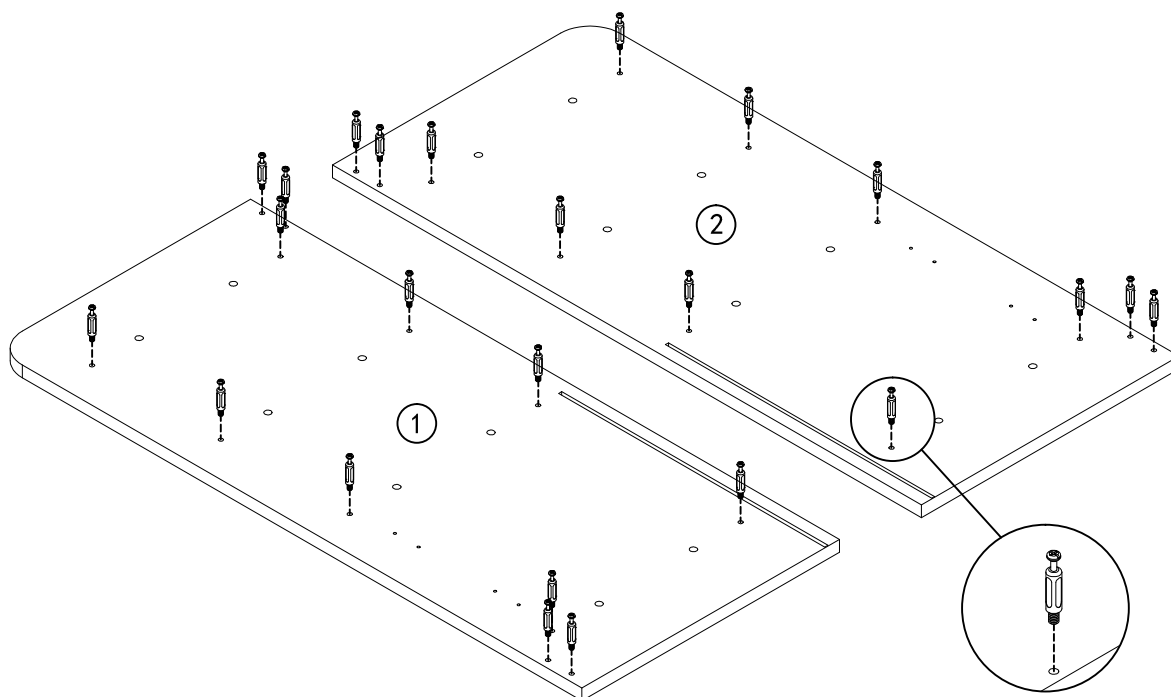


A	x 26	B	x 26	C	x 16	D	x 26
				 M8x30		 M20	
E	x 4	F	x 2	G	x 2	H	x 26
		 M3x16				 M3.5x14	
I	x 6	J	x 2	K	x 2		

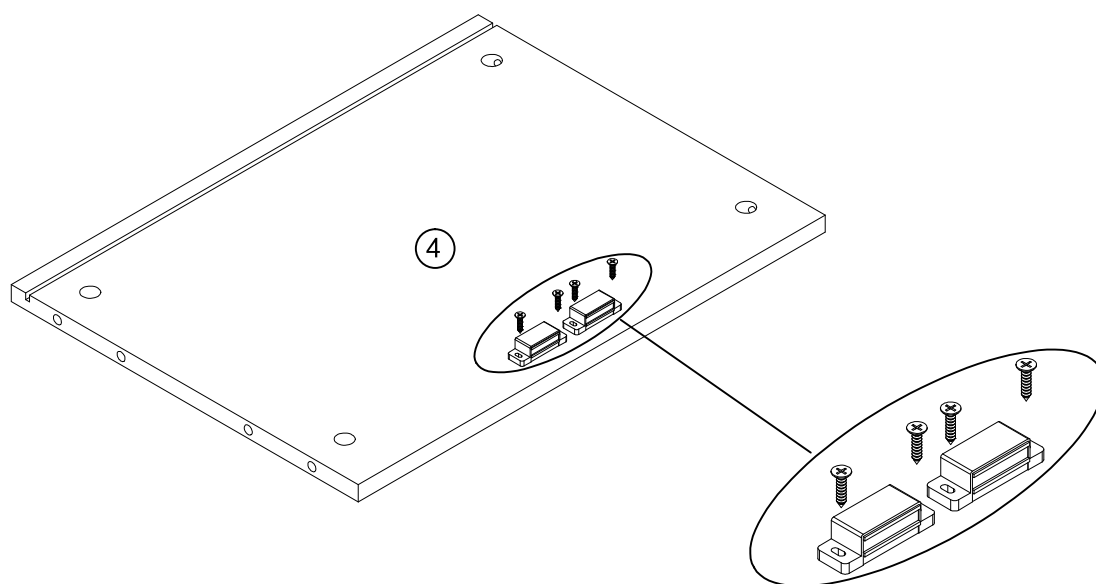


STEP 1



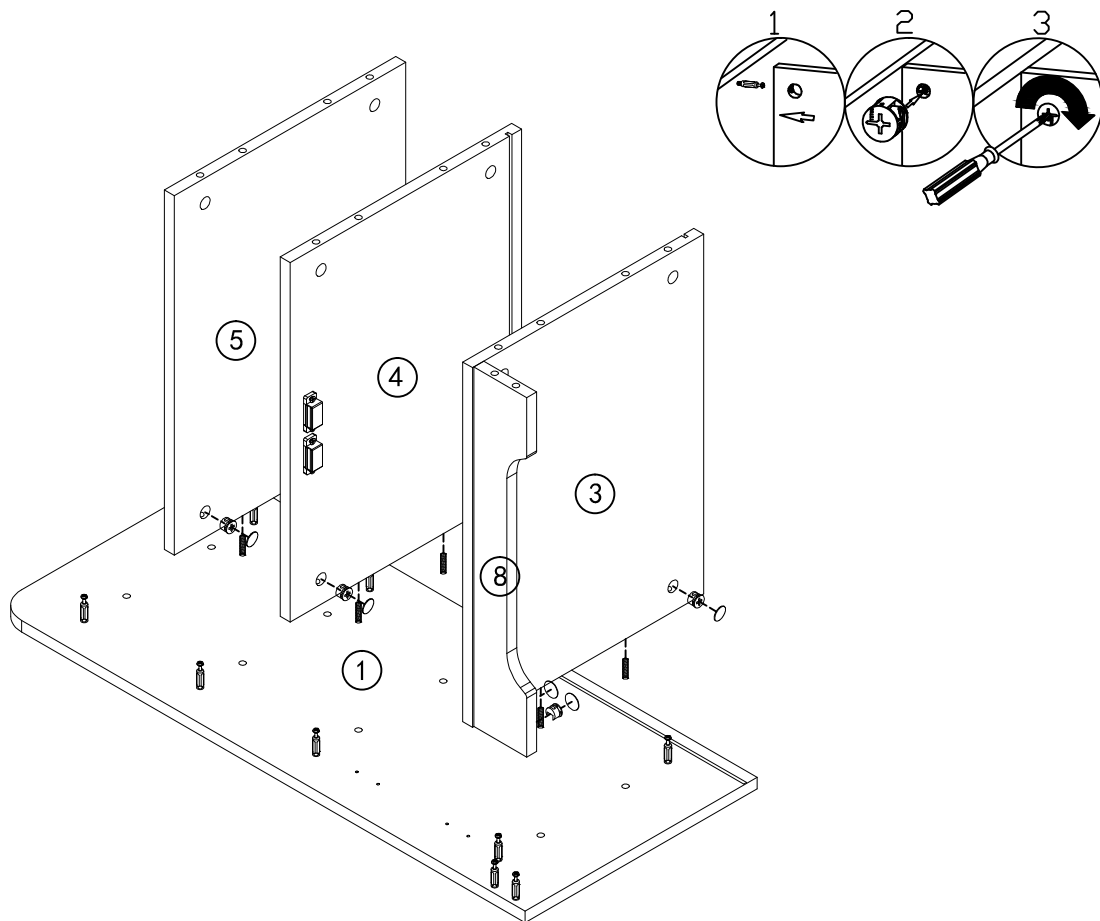
A x 24

STEP 2



F x 2

STEP 3

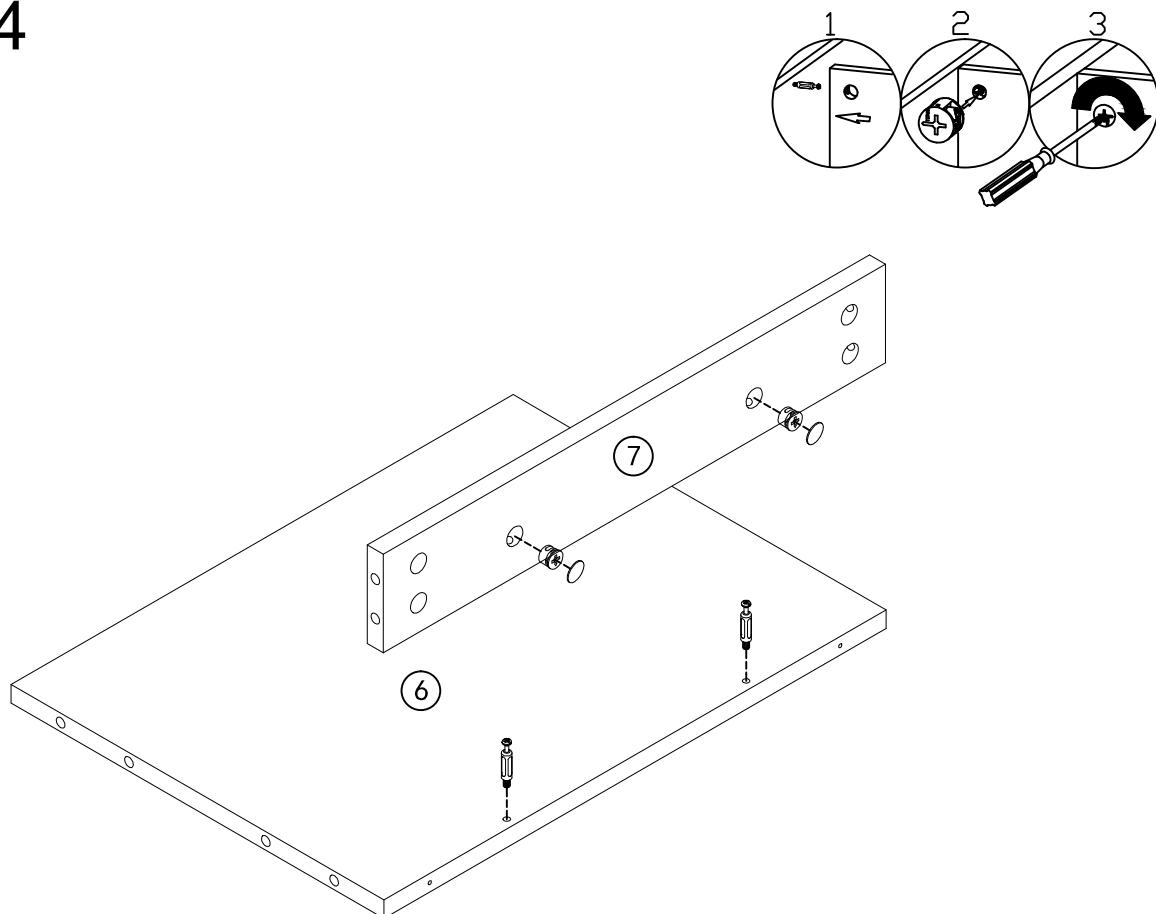


D x 8

C x 6

B x 8

STEP 4

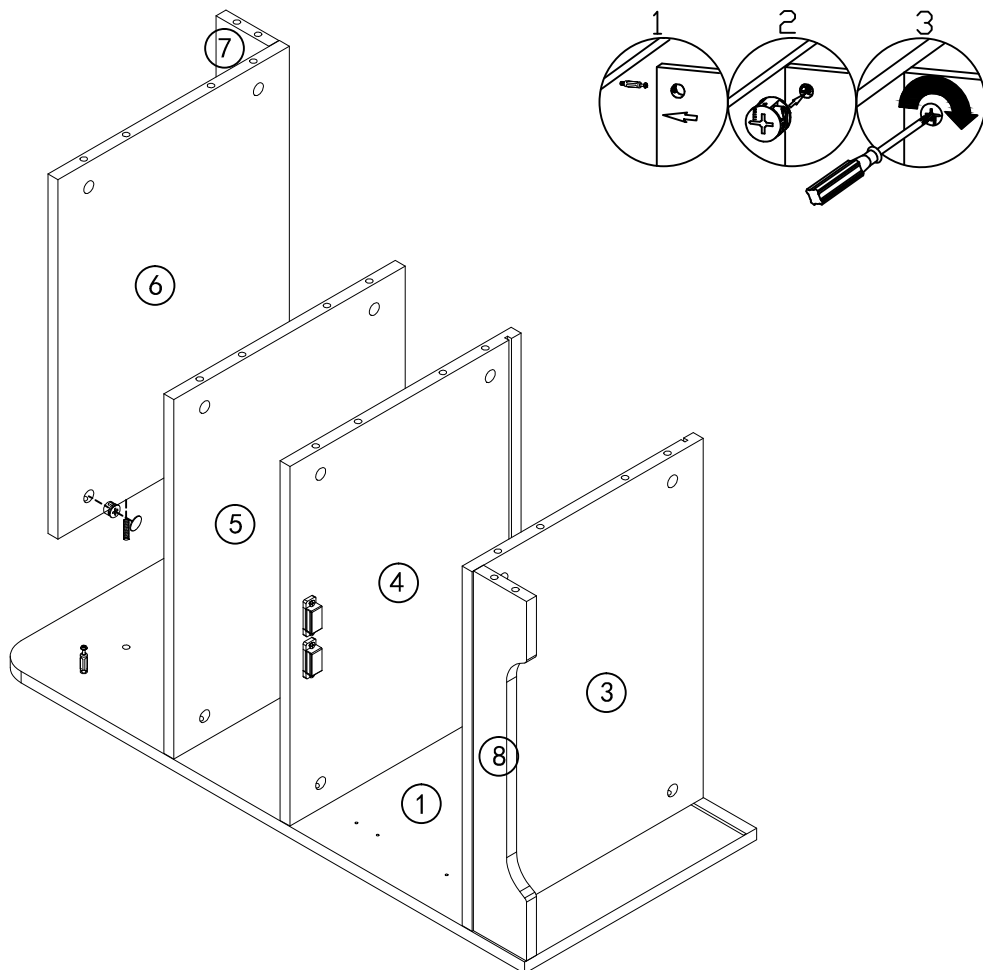


D x 2

B x 2

A x 2

STEP 5

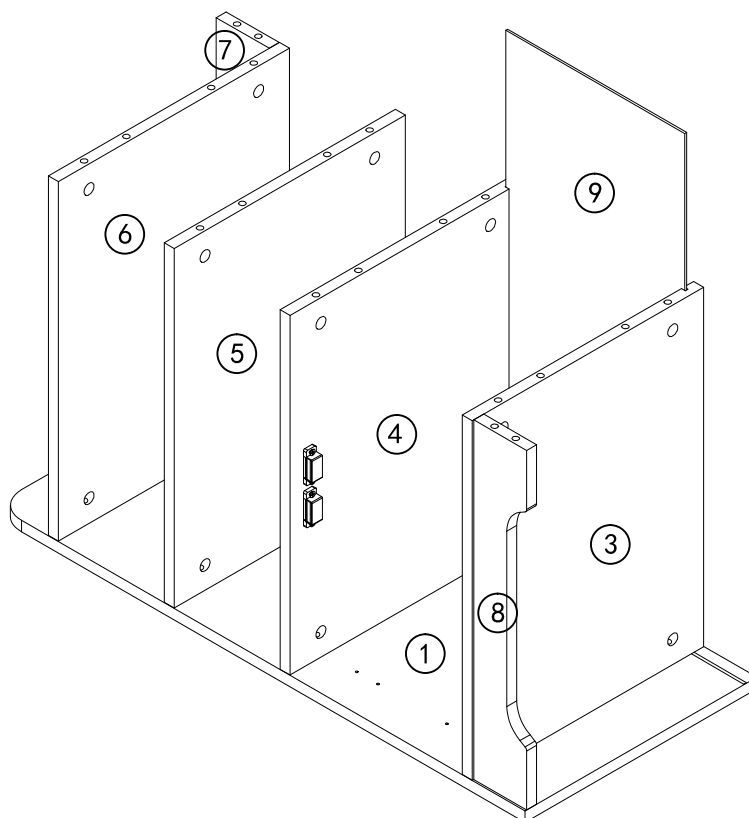


D x 4

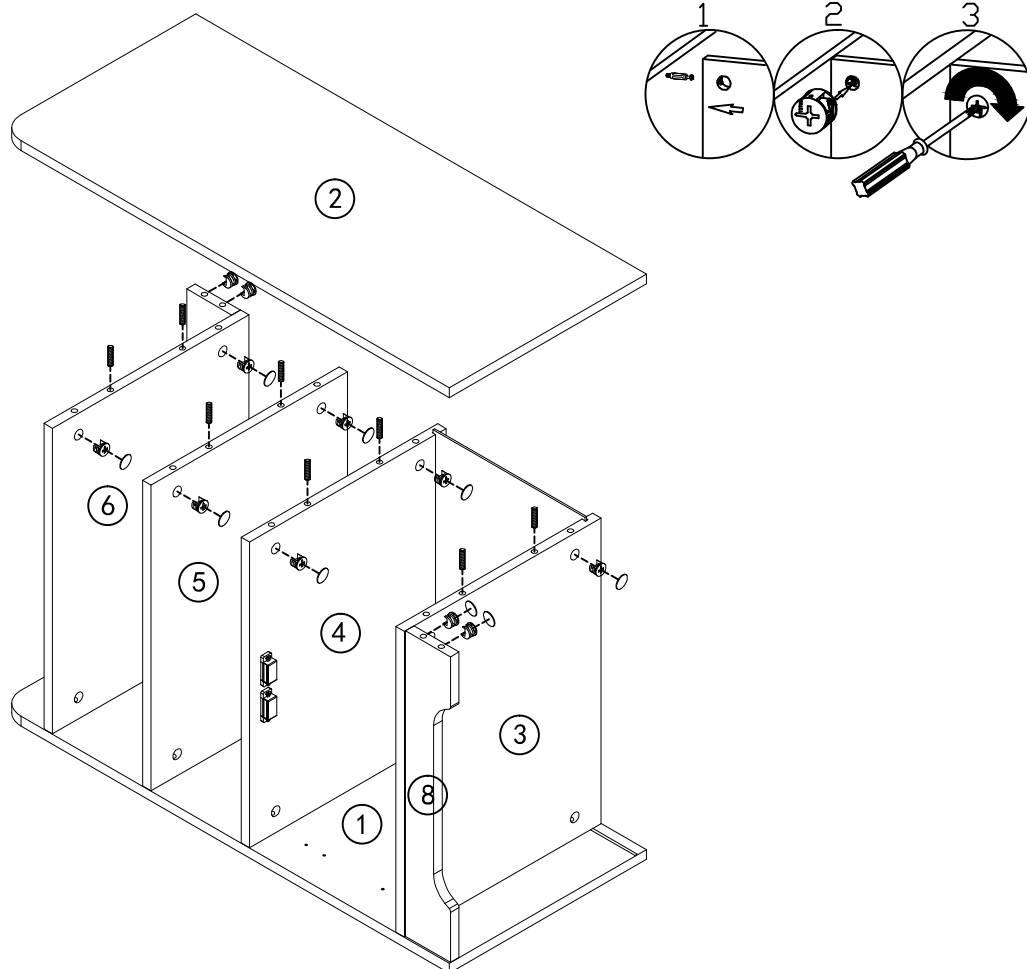
C x 2

B x 4

STEP 6



STEP 7

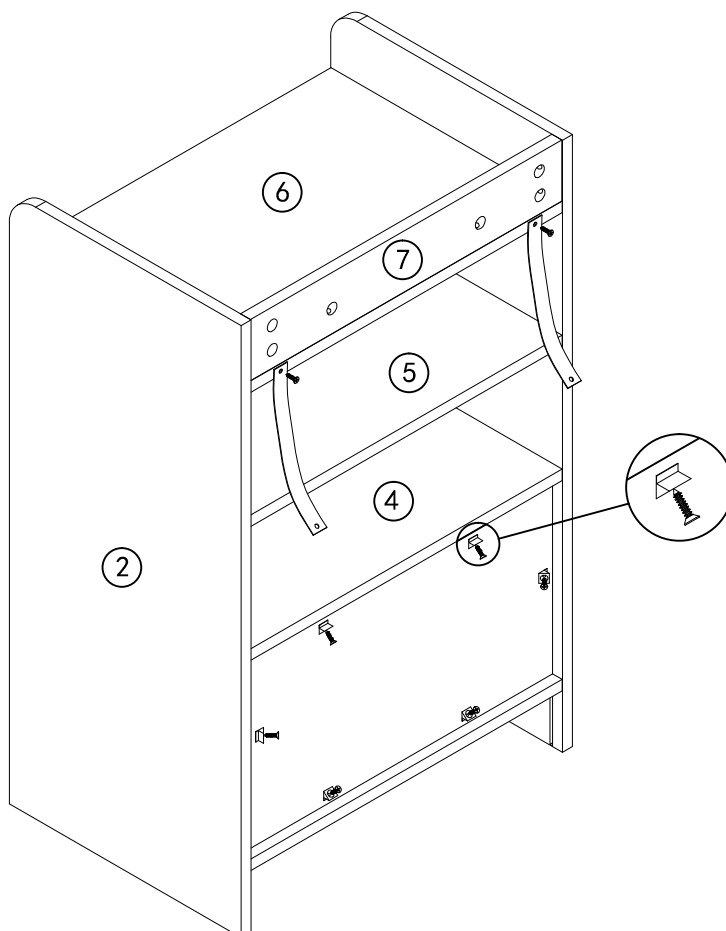


D x 12

C x 8

B x 12

STEP 8

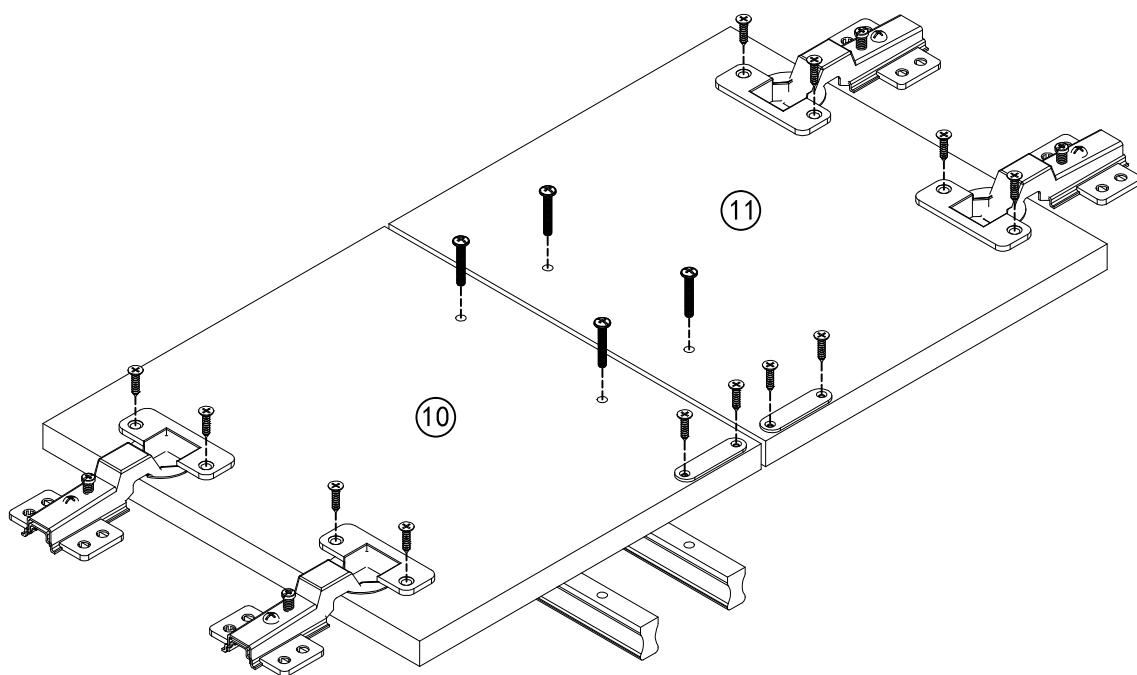


I x 6

H x 6

K x 2

STEP 9



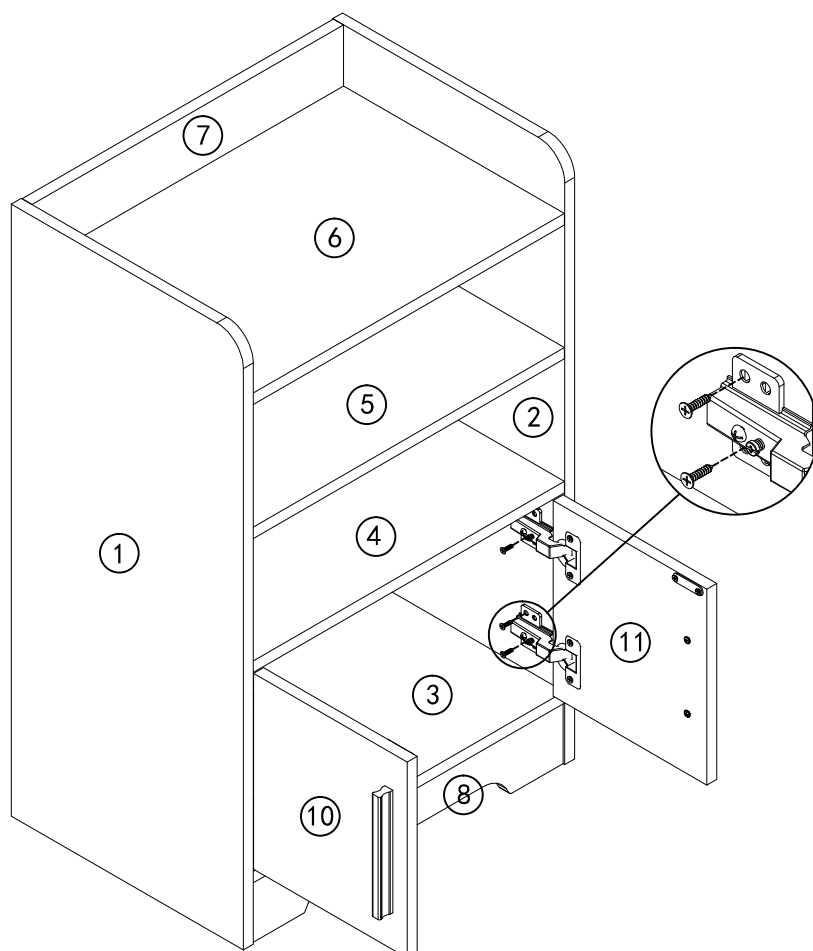
J x 2

H x 12

G x 2

E x 4

STEP 10



H x 8