

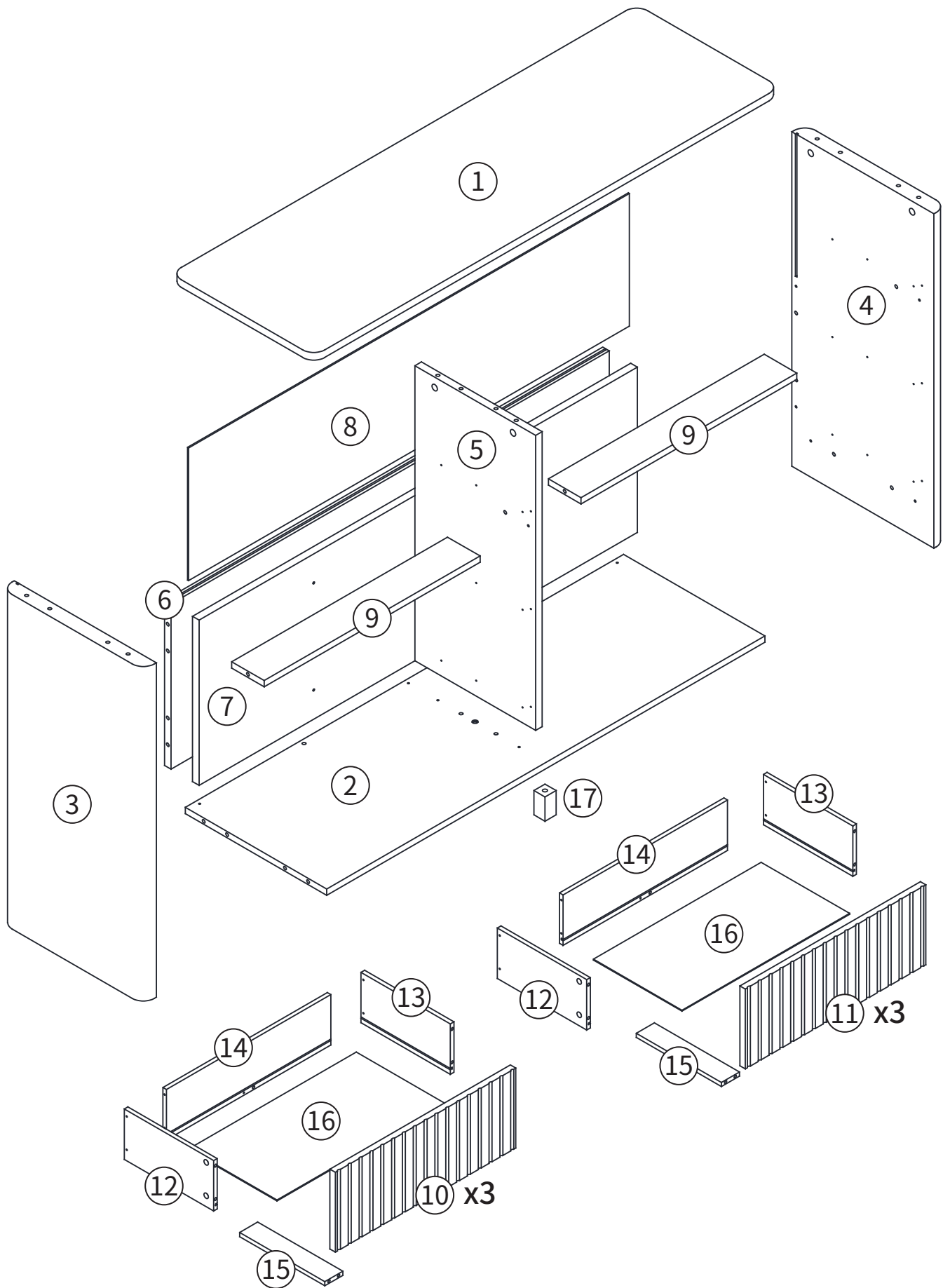
# STOP

**MISSING A PART?  
CALL US BEFORE GOING  
BACK TO THE STORE**

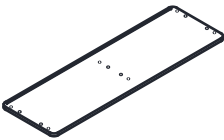
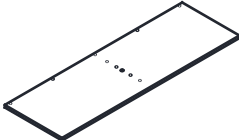
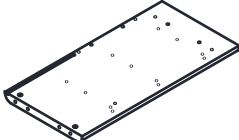
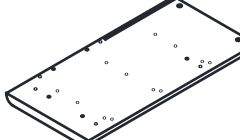
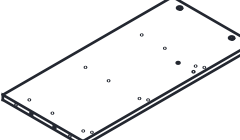
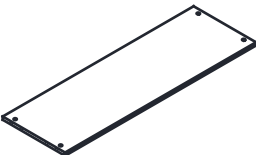
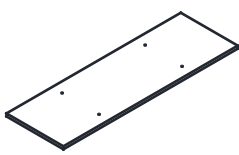
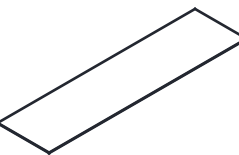

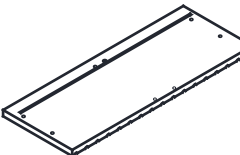
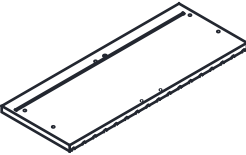
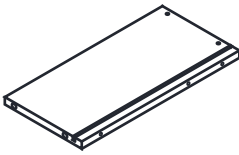
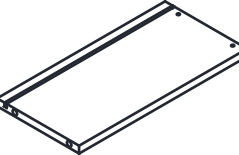
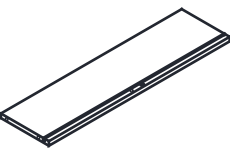
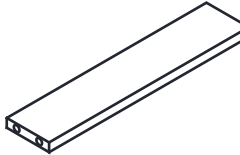
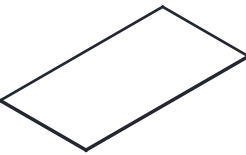
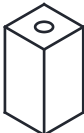
**Please have the following information ready when you contact us, so we can assist you promptly.**

- Order number or PO number ( you can find the info on your invoice, receipt or platform account).
- The model number of the product ( printed on the package box ).
- Description of the part from the parts list.

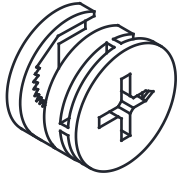
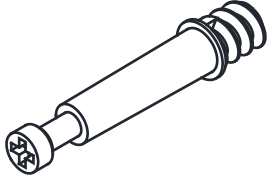
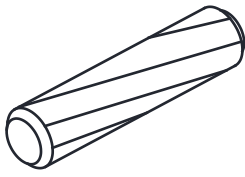
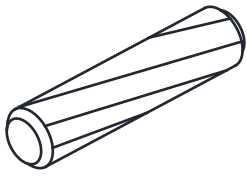
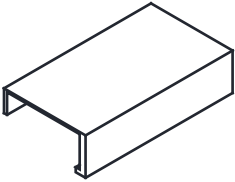
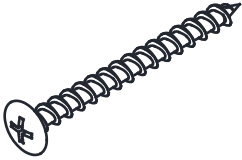
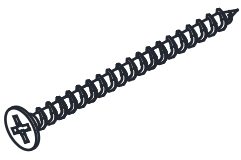
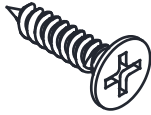
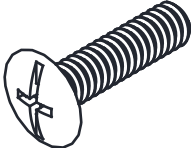
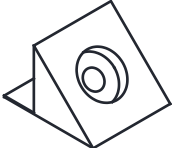

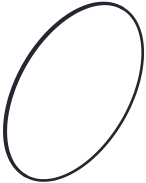

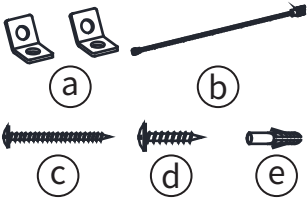
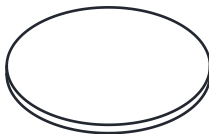
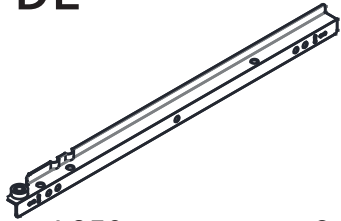
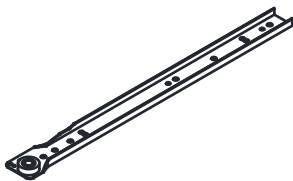
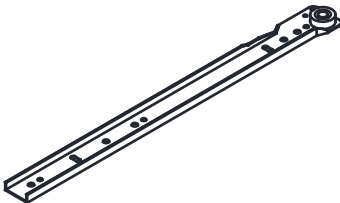
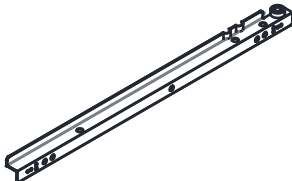
- 
- Make sure to check packing material for small parts that may have fallen out during shipment.
  - Structures are not intended for public use. The Company does not warranty any of its residential structures subjected to commercial use such as: Daycare, Preschool, Nursery School, Recreational Park, or any similar Commercial Application.
  - This manual contains helpful information concerning assembly preparation, installation procedure and required maintenance.
  - Always keep safety in mind as your structure is being built.
  - Keep these instructions for future reference.



PARTS

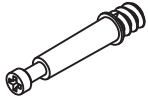
|   |   |   |  |   |
|---|---|---|--|---|
| <br>① x1   | <br>② x1   | <br>③ x1   | <br>④ x1   | <br>⑤ x1   |
| <br>⑥ x1   | <br>⑦ x1   | <br>⑧ x1   | <br>⑨ x2   | <br>⑩ x3   |
| <br>⑪ x3 | <br>⑫ x6 | <br>⑬ x6 | <br>⑭ x6 | <br>⑮ x6 |
| <br>⑯ x6 | <br>⑰ x1 |   |  |   |

# HARDWARE

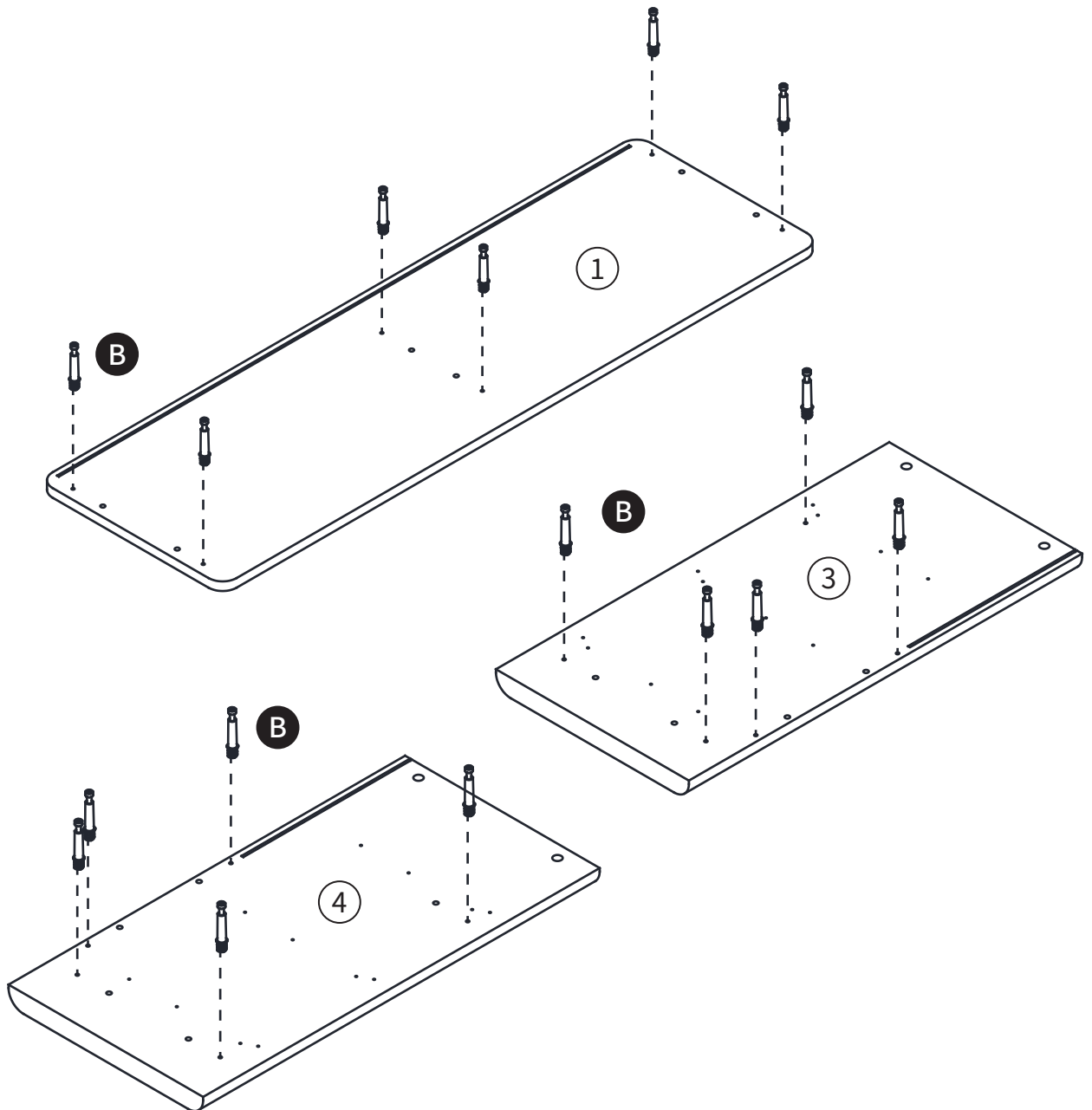
|   |   |  |  |
|---|---|--|--|
| <p><b>A</b></p>  <p>x48+2</p>          | <p><b>B</b></p>  <p>x48+2</p>        | <p><b>C</b></p>  <p>φ6x30mm x12+1</p>  | <p><b>D</b></p>  <p>φ8x30mm x21+2</p>   |
| <p><b>E</b></p>  <p>x6</p>              | <p><b>F</b></p>  <p>φ4x40mm x4+1</p> | <p><b>G</b></p>  <p>φ4x30mm x34+2</p>  | <p><b>H</b></p>  <p>φ3.5x12mm x93+2</p> |
| <p><b>I</b></p>  <p>φ6x21mm x1+1</p> | <p><b>J</b></p>  <p>x8+1</p>       | <p><b>K</b></p>  <p>φ3x16mm x8+1</p> | <p><b>L</b></p>  <p>x48+2</p>         |
| <p><b>M</b></p>  <p>x1</p>           | <p><b>N</b></p>  <p>x2</p>         | <p><b>O</b></p>  <p>x4</p>           | <p><b>DL</b></p>  <p>L250mm x6</p>    |
| <p><b>CL</b></p>  <p>L250mm x6</p>    | <p><b>CR</b></p>  <p>L250mm x6</p> | <p><b>DR</b></p>  <p>L250mm x6</p>   |  |

# STEP 1

B



x16



# STEP 2

H



x24

CL

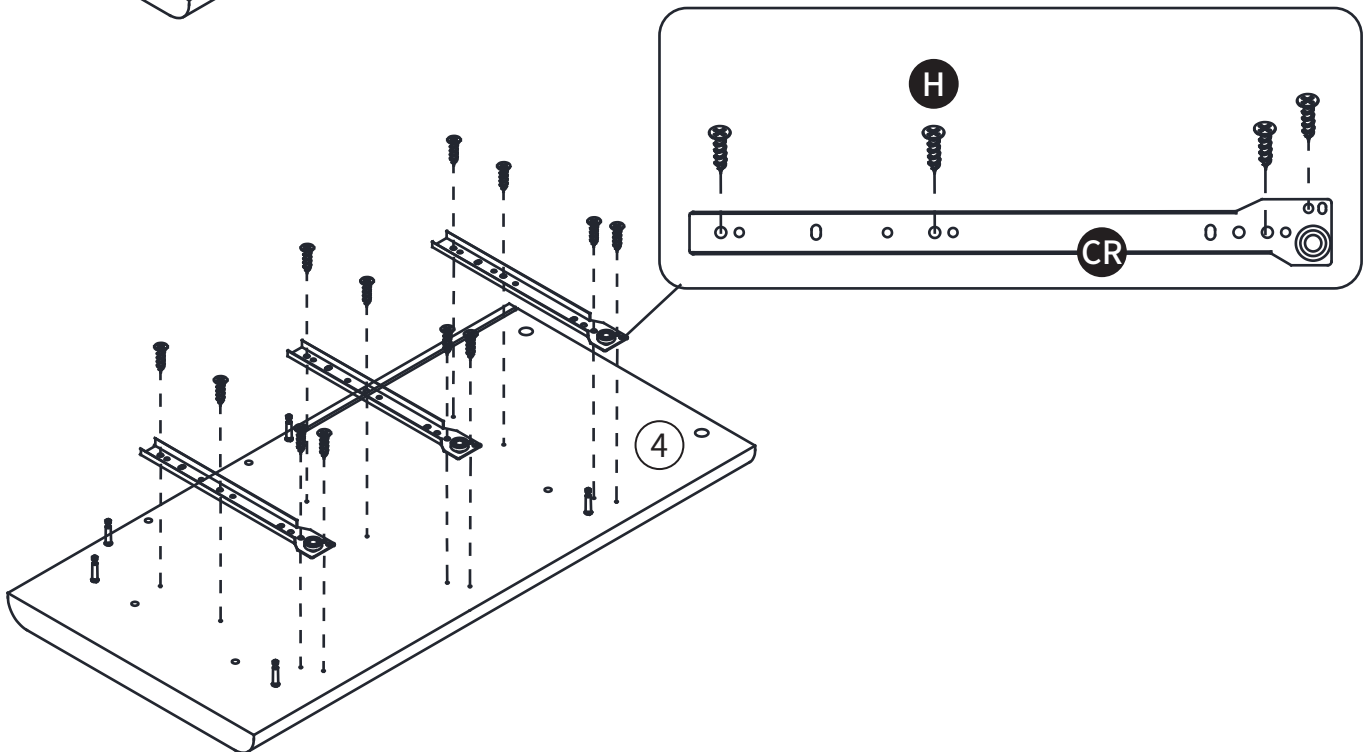
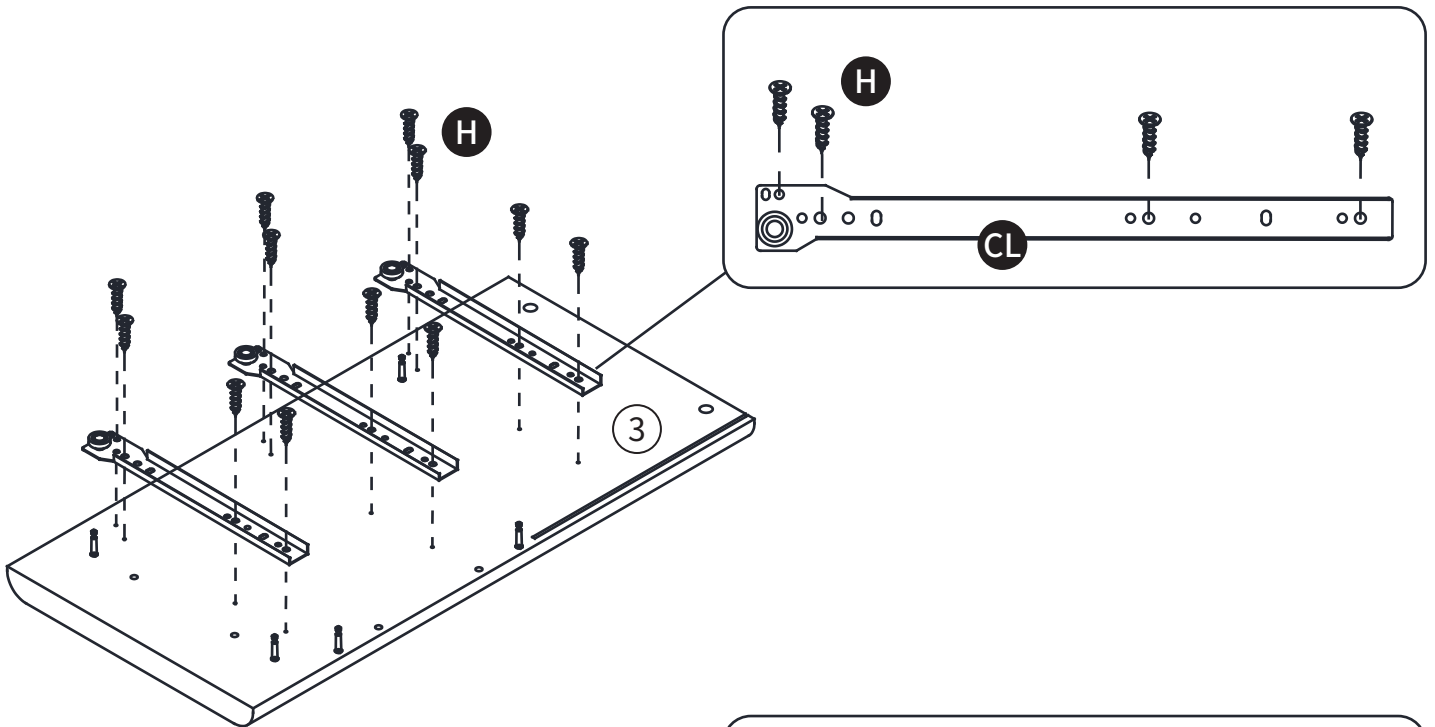


x3

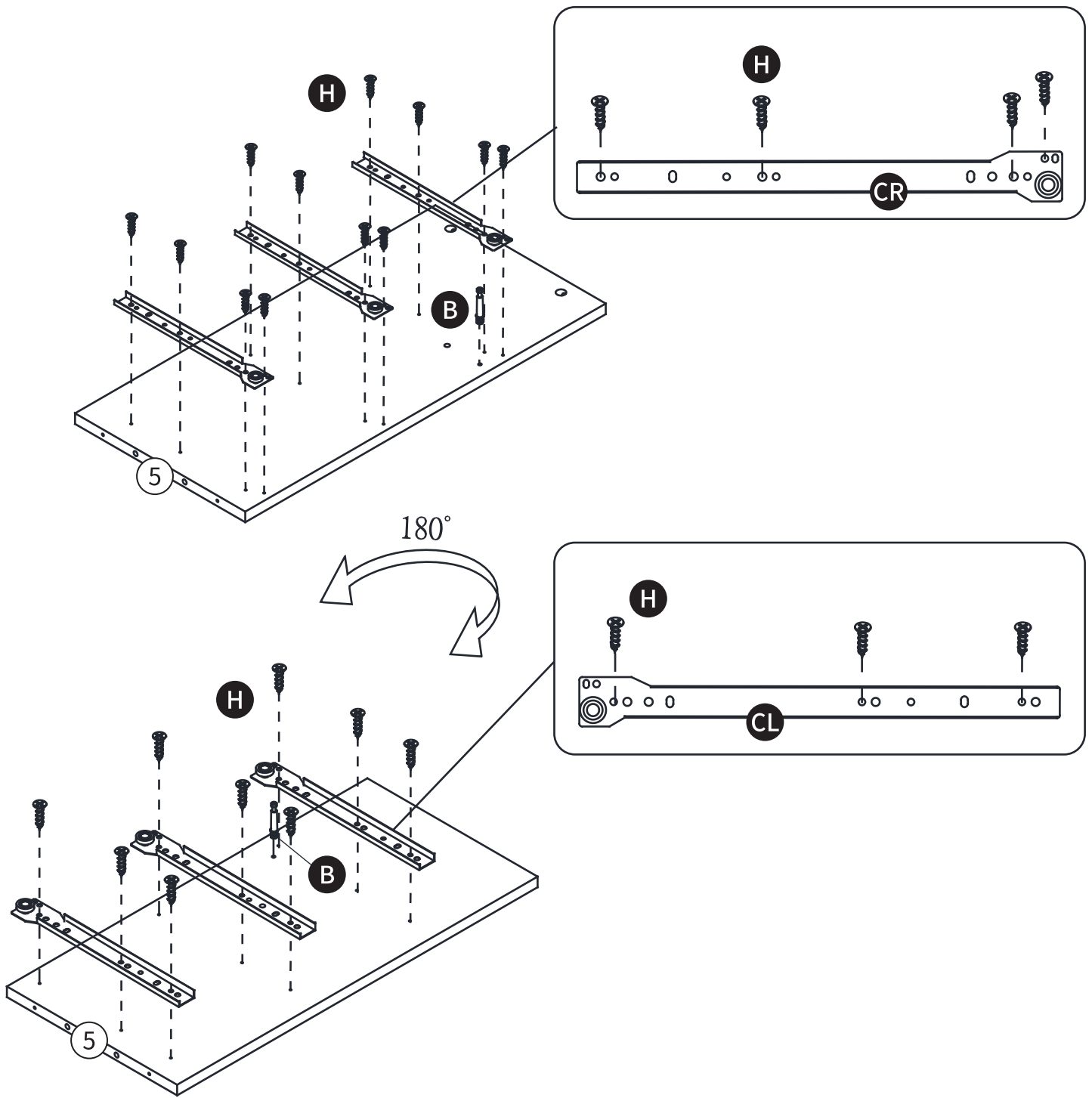
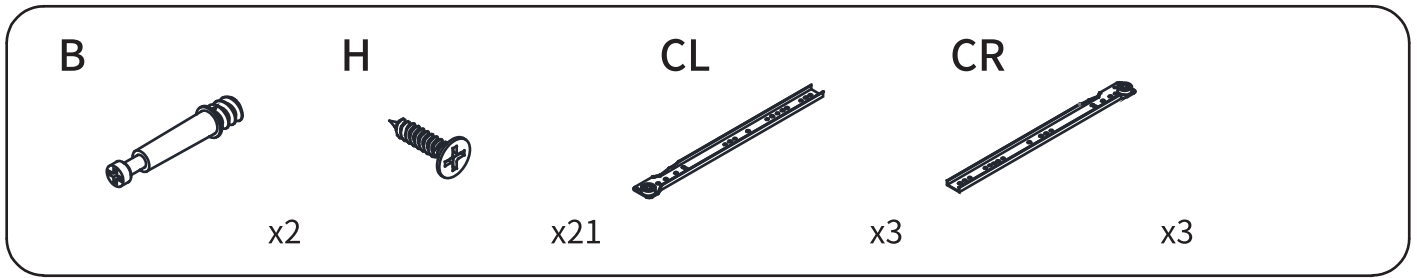
CR



x3

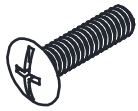


# STEP 3

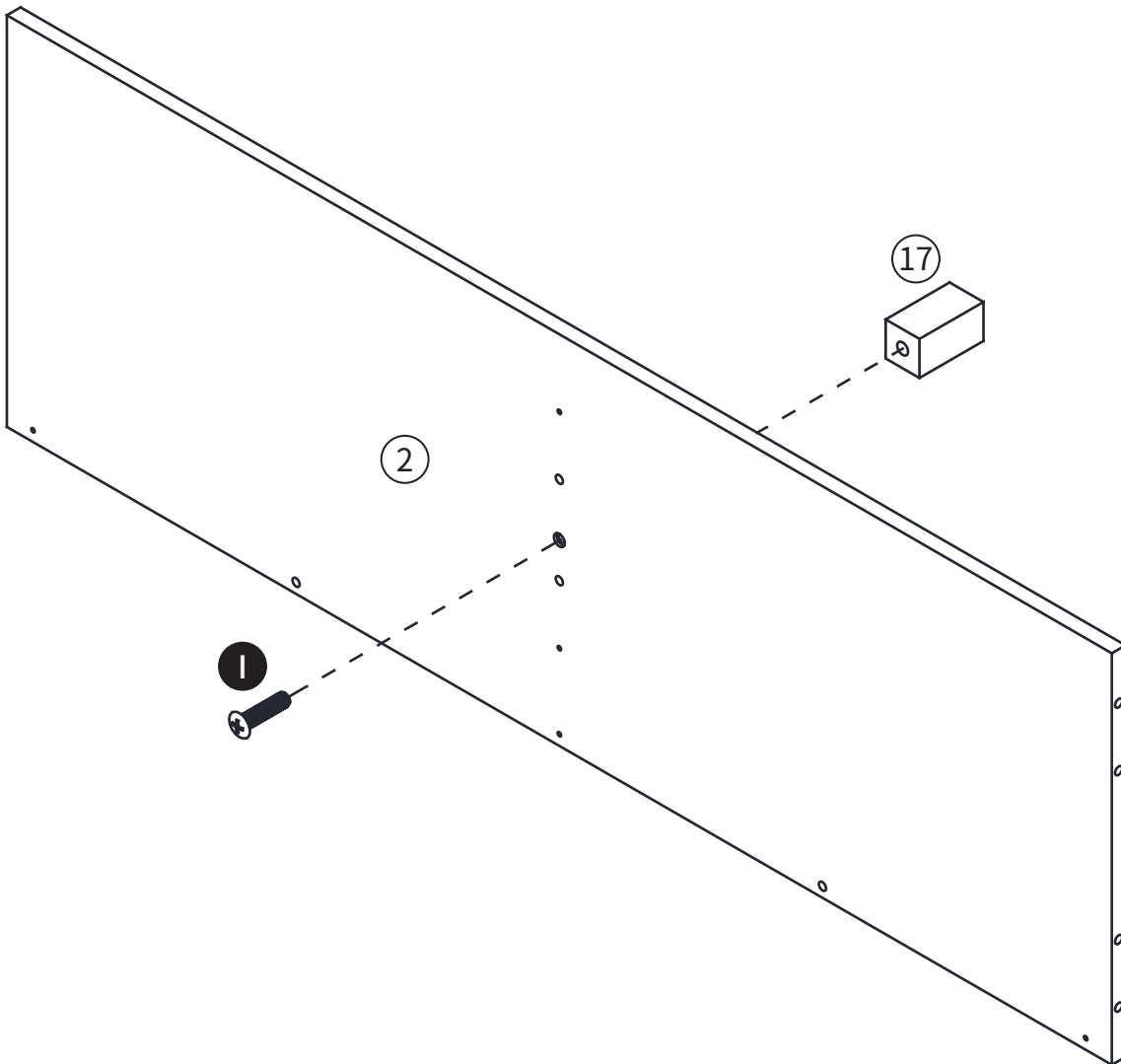


# STEP 4

I

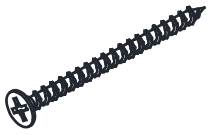


x1

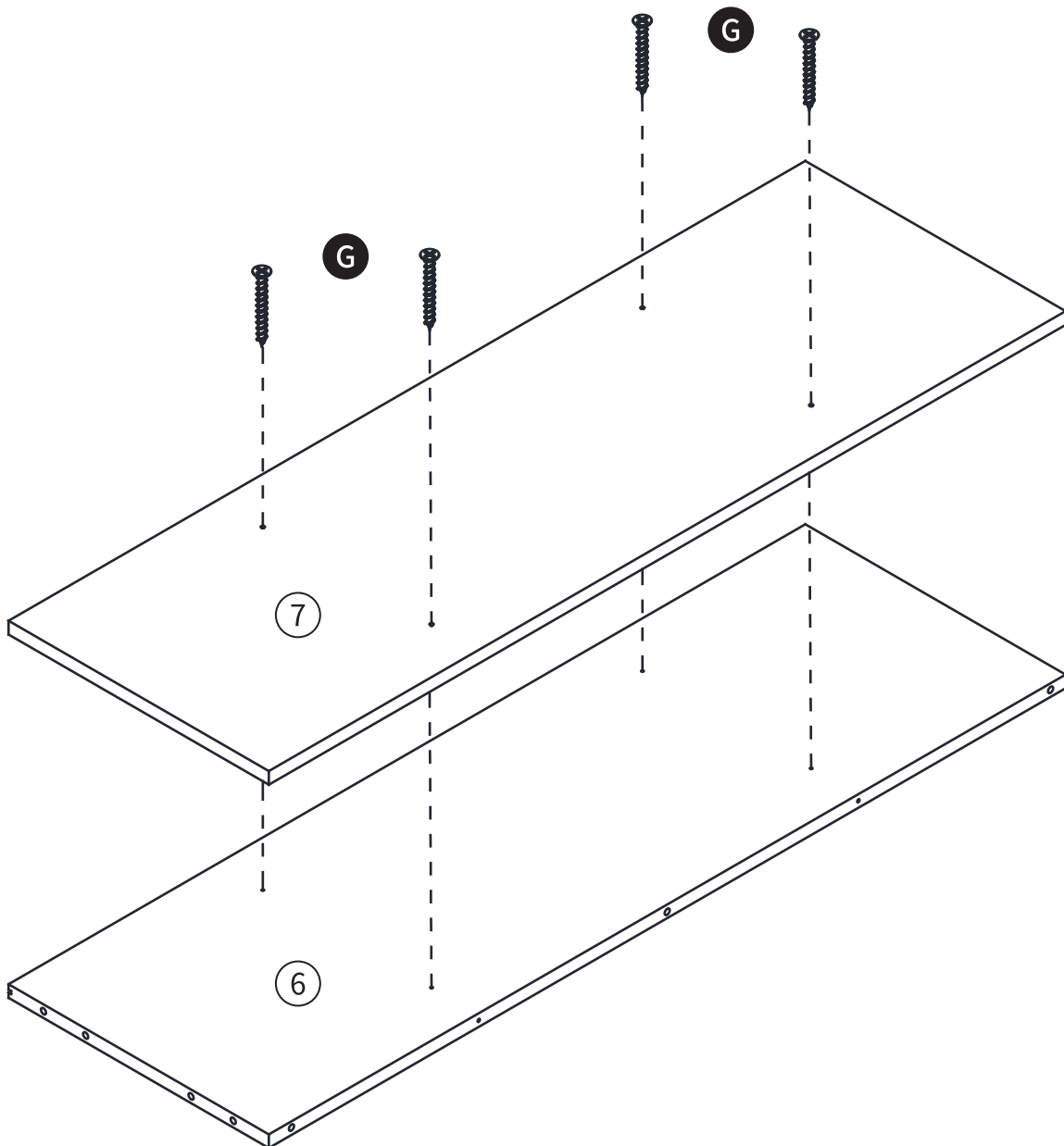


# STEP 5

G

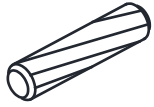


x4



# STEP 6

D

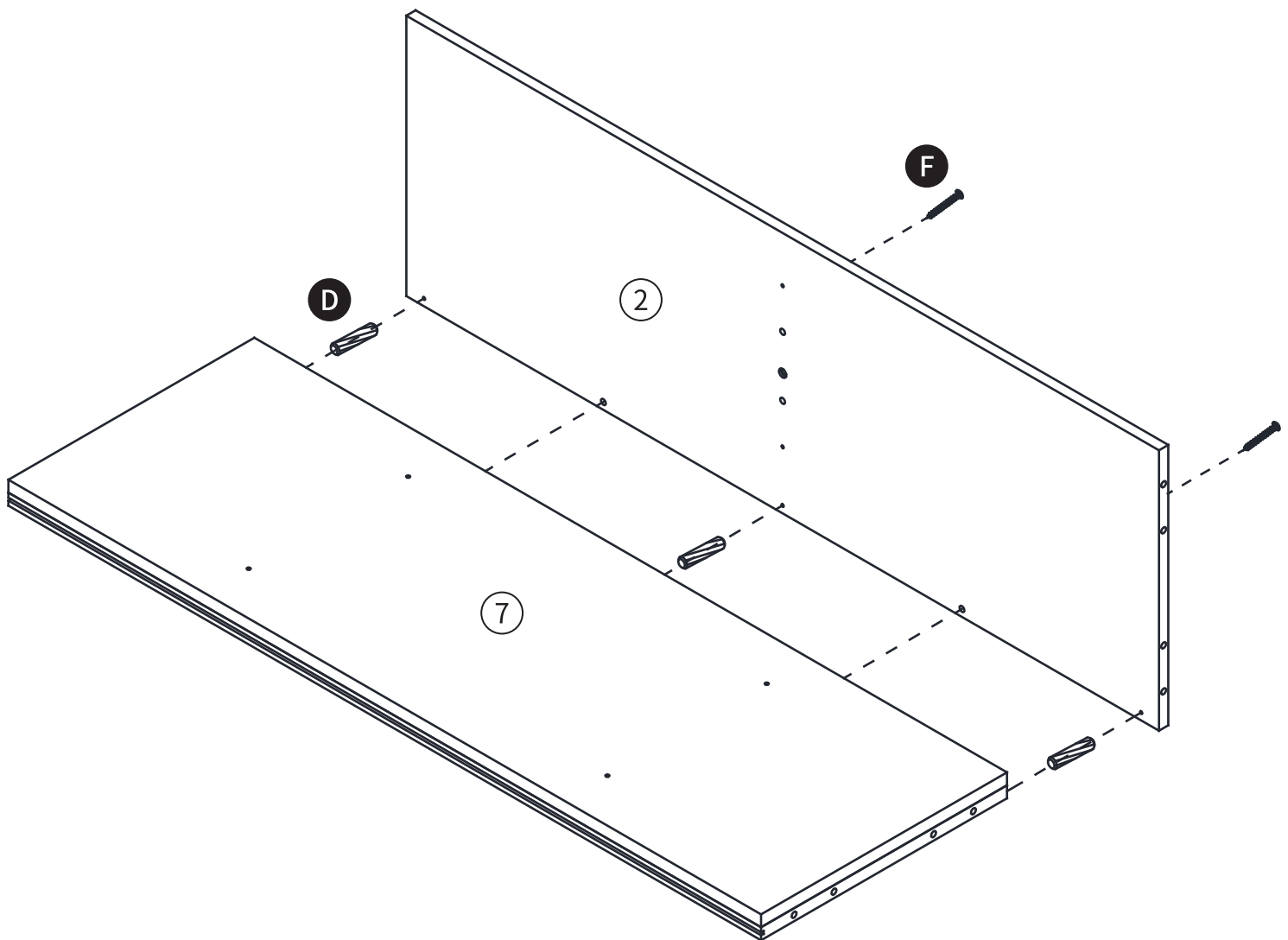


x3

F

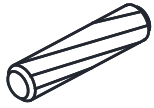


x2



# STEP 7

D

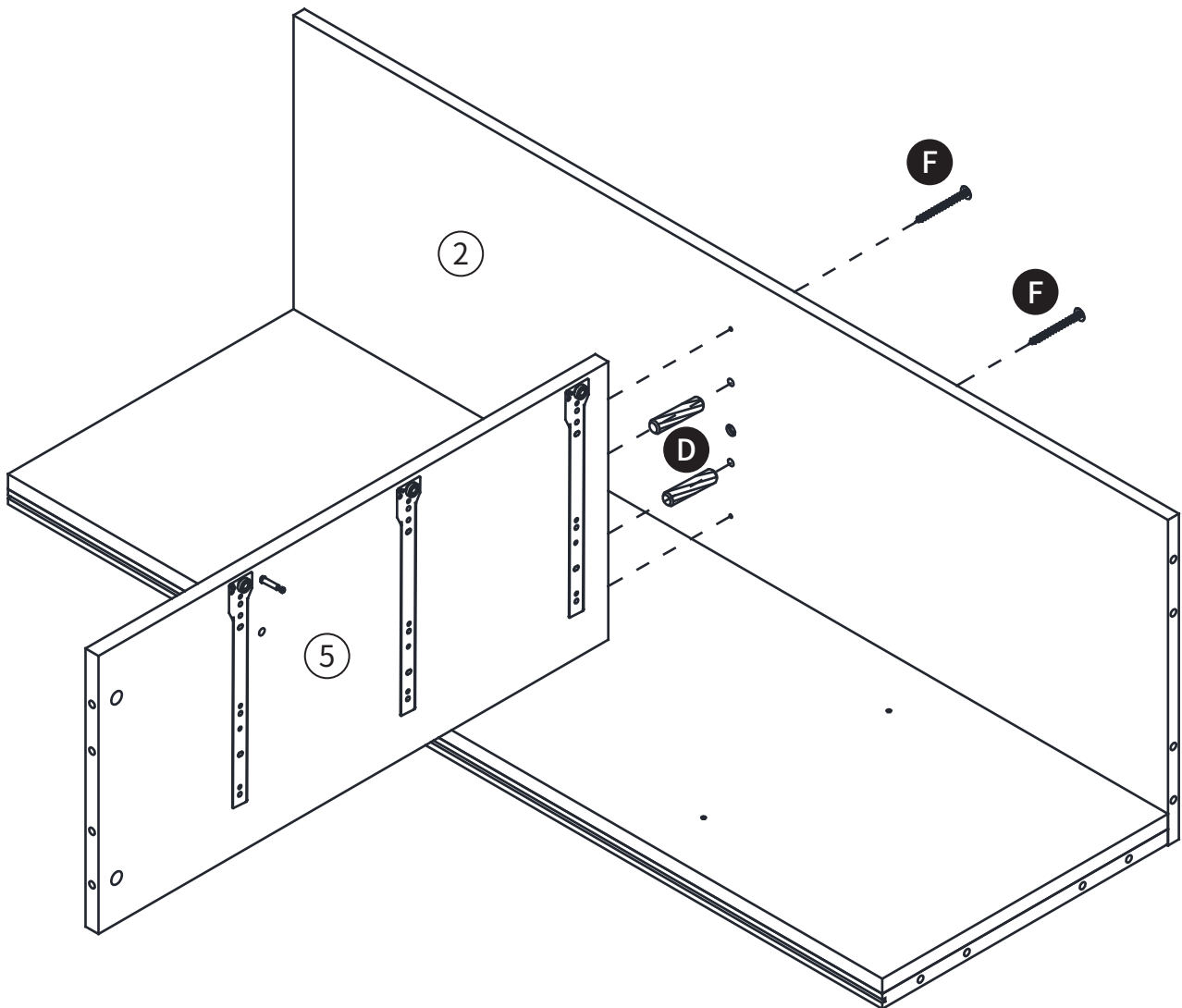


x2

F



x2



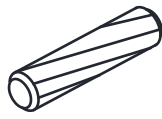
# STEP 8

A



x1

D

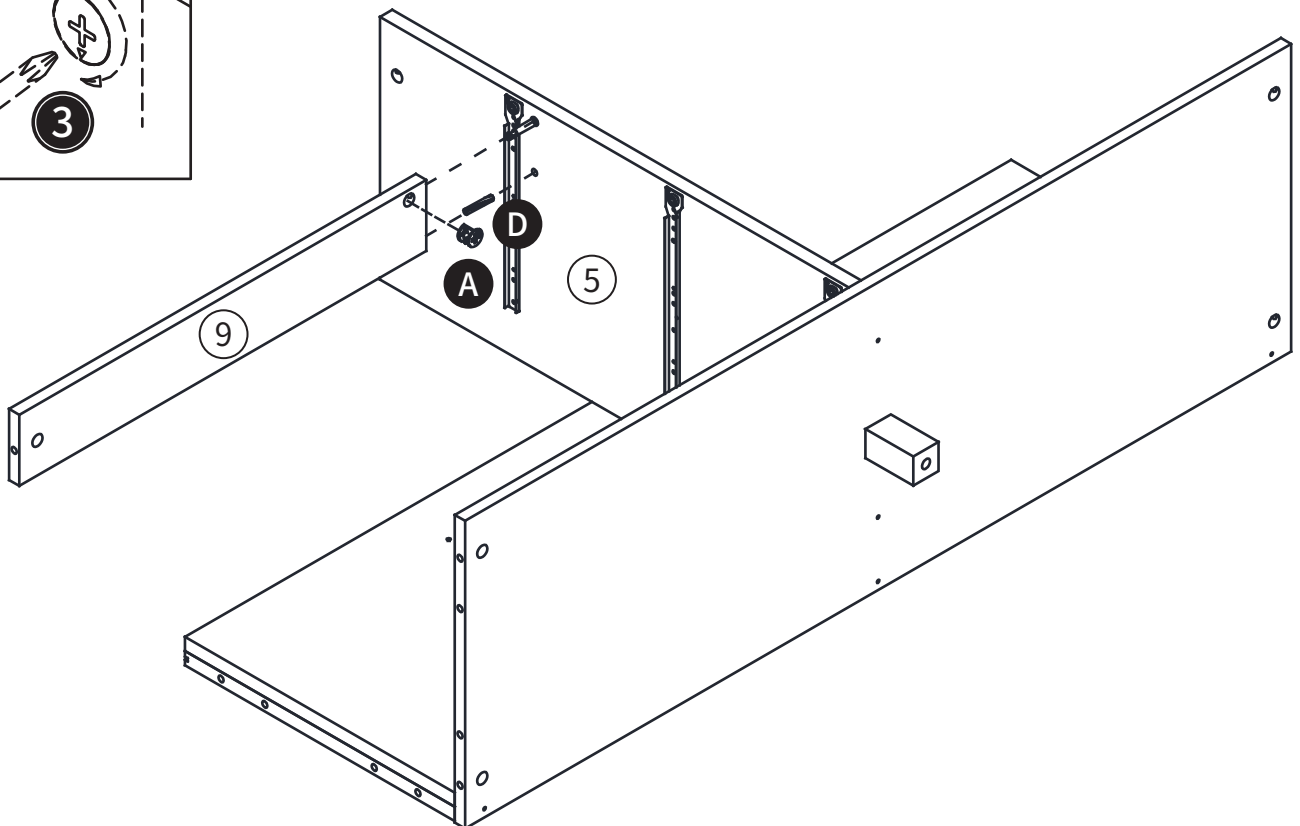
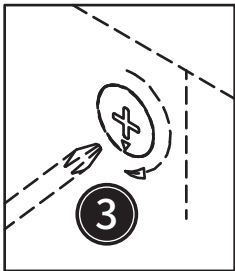
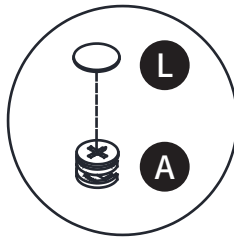
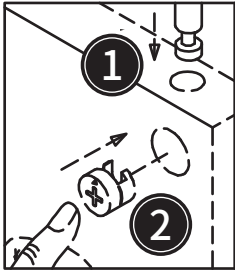


x1

L



x1



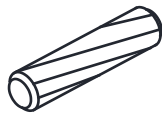
# STEP 9

A



x3

D

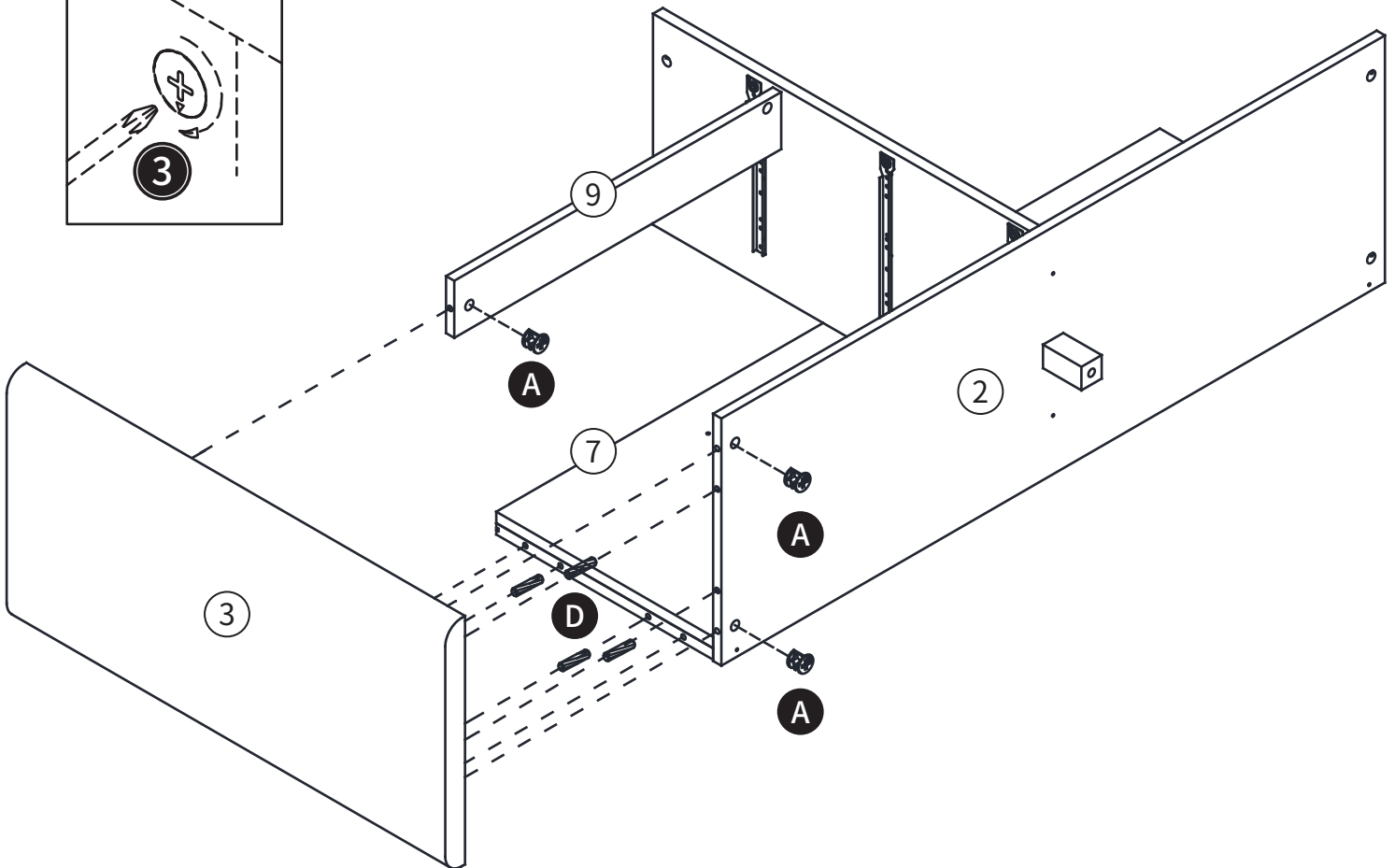
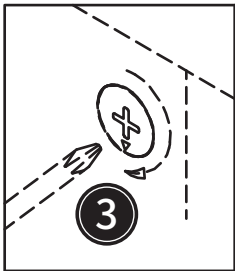
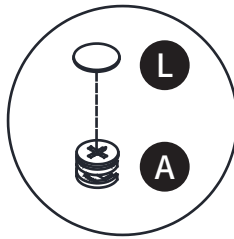
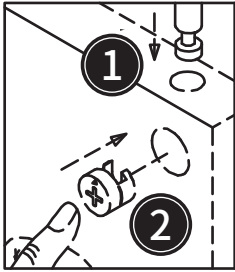


x4

L



x3



# STEP 10

A

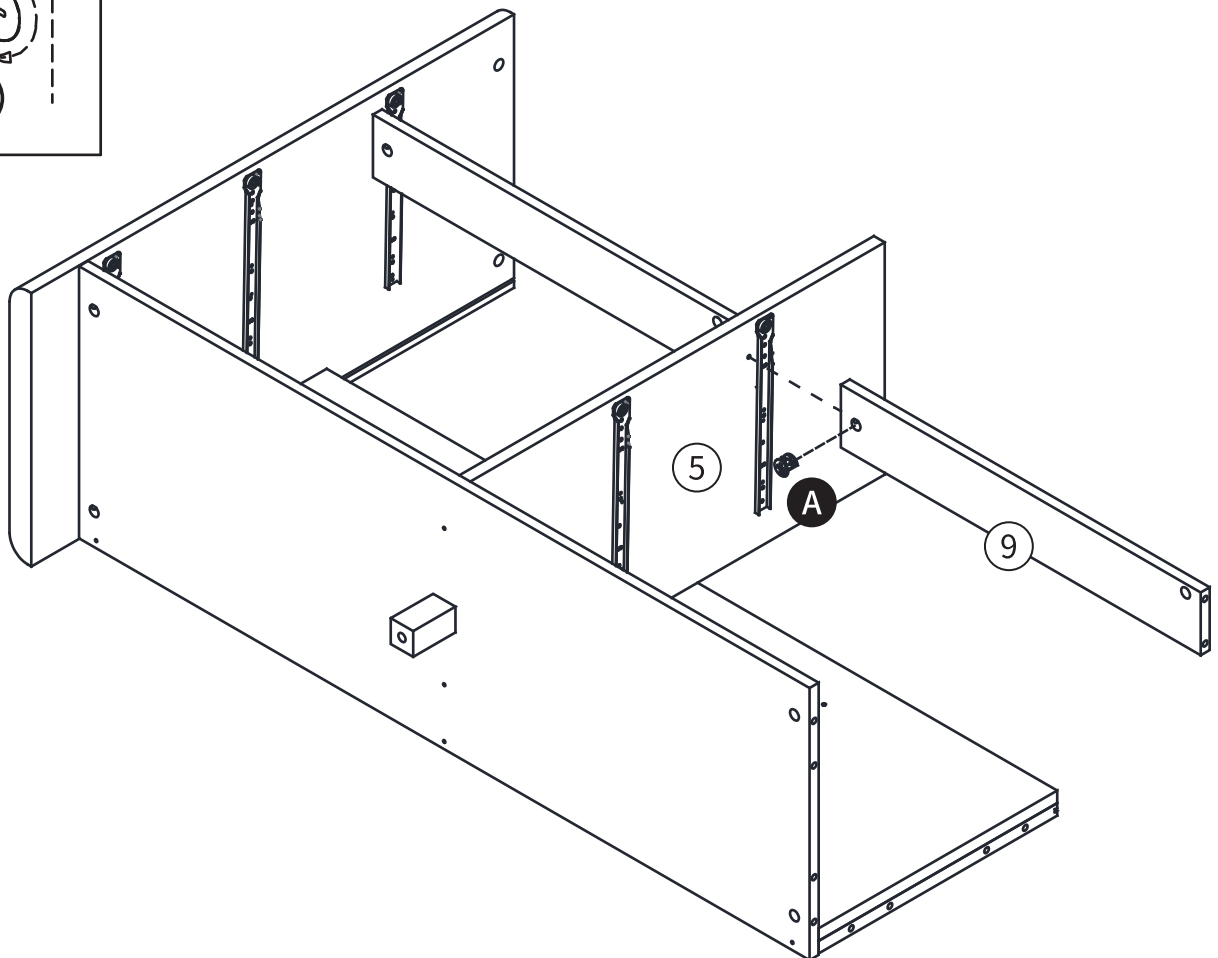
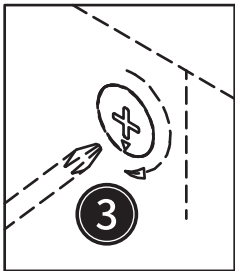
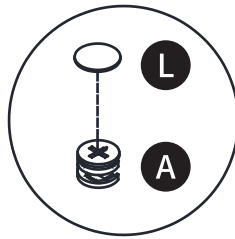
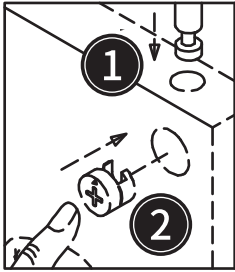


x1

L



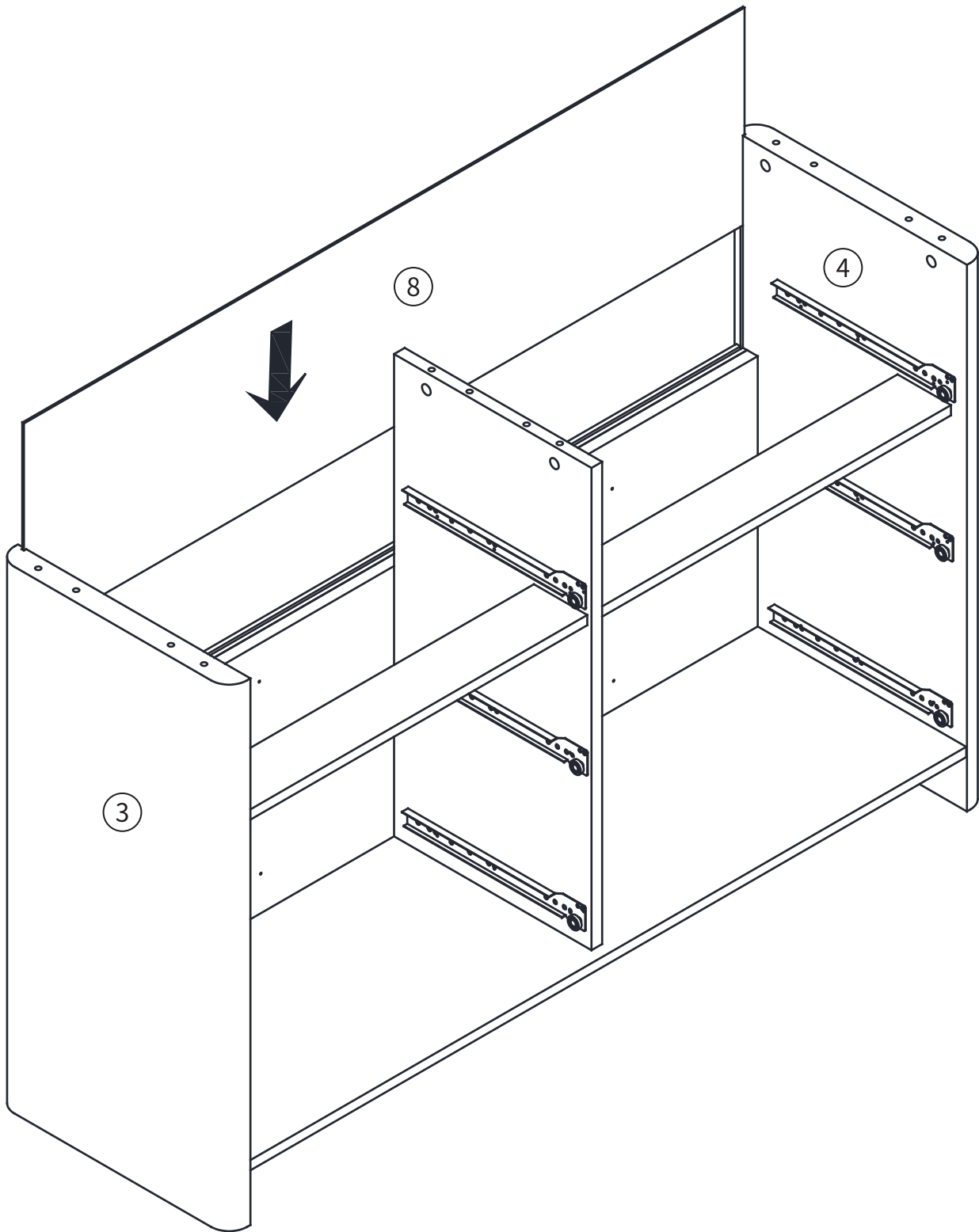
x1







# STEP 13



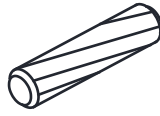
# STEP 14

A



x6

D

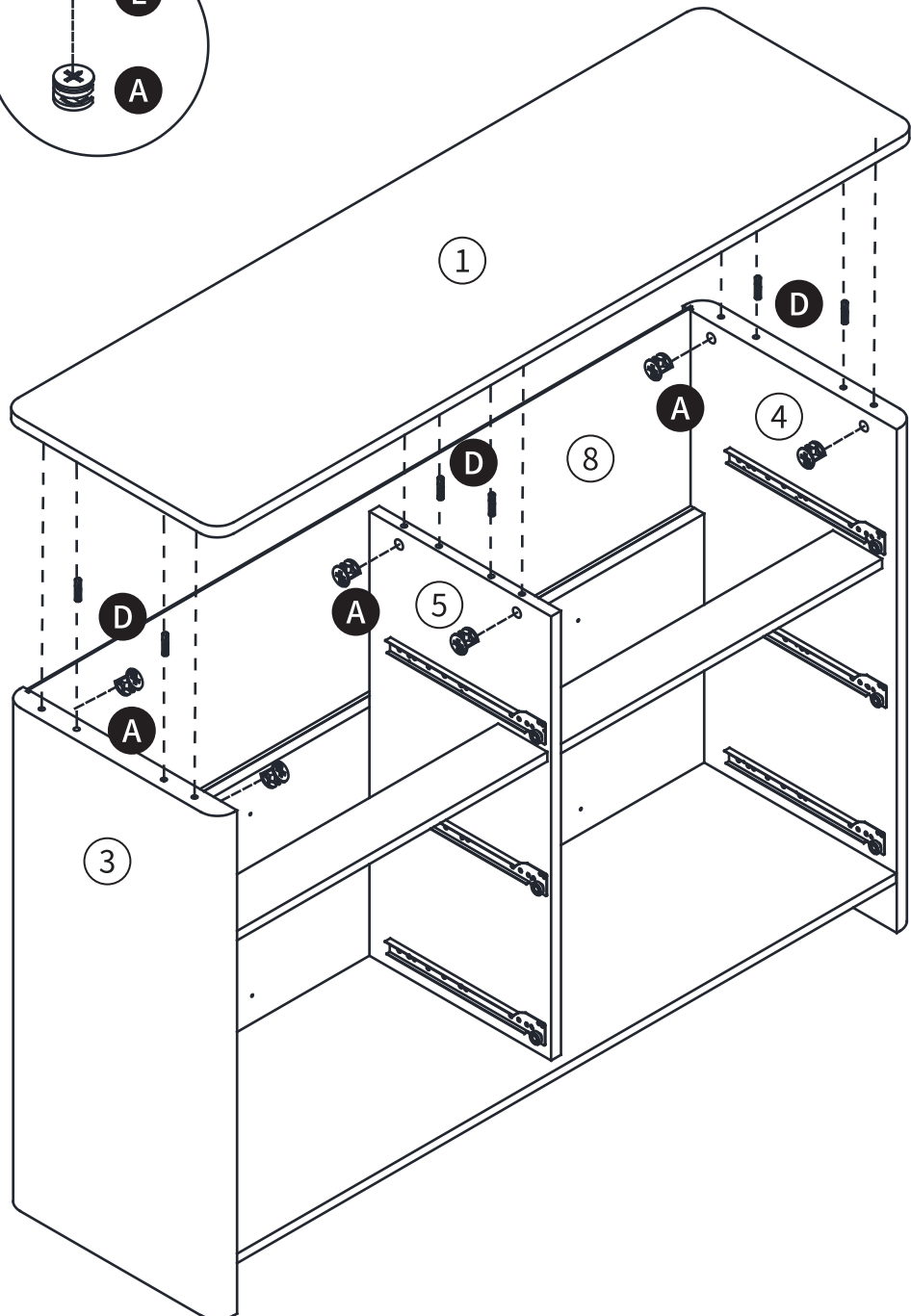
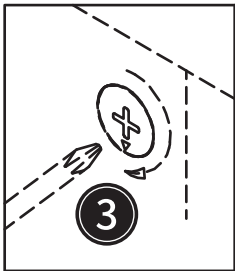
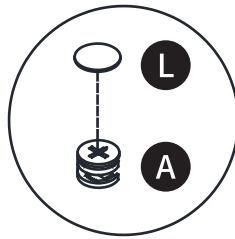
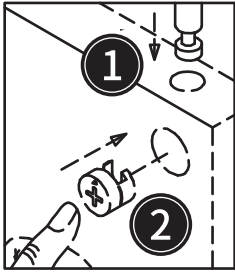


x6

L

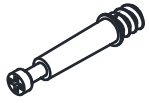


x6

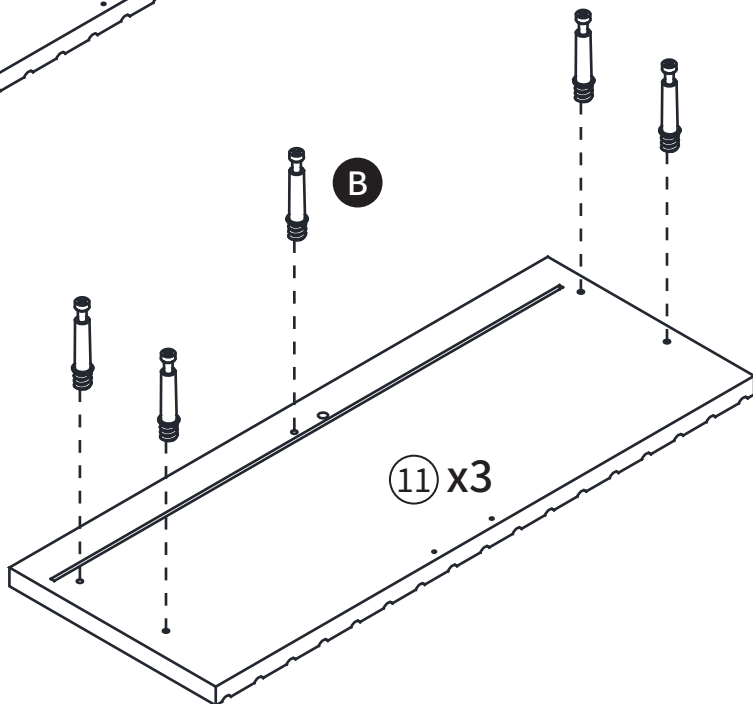
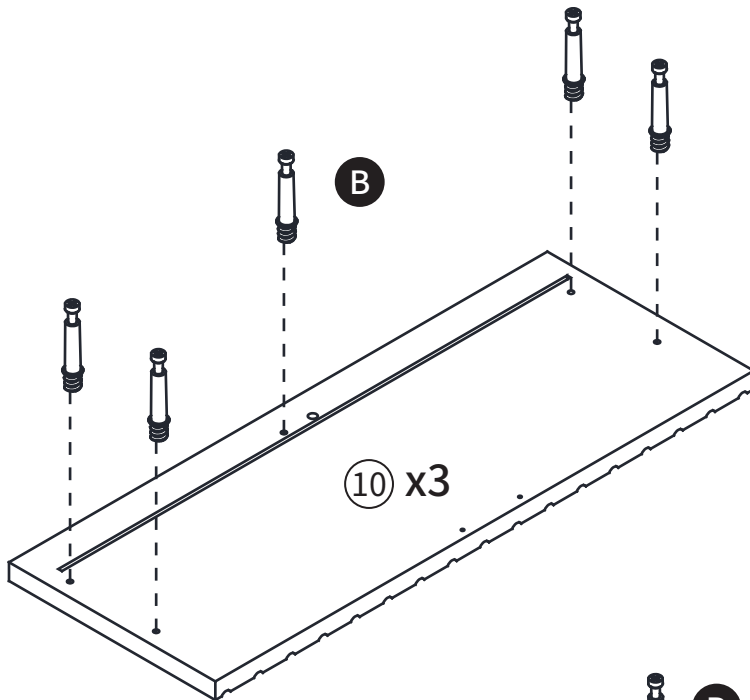


# STEP 15

B

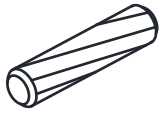


x30



# STEP 16

C

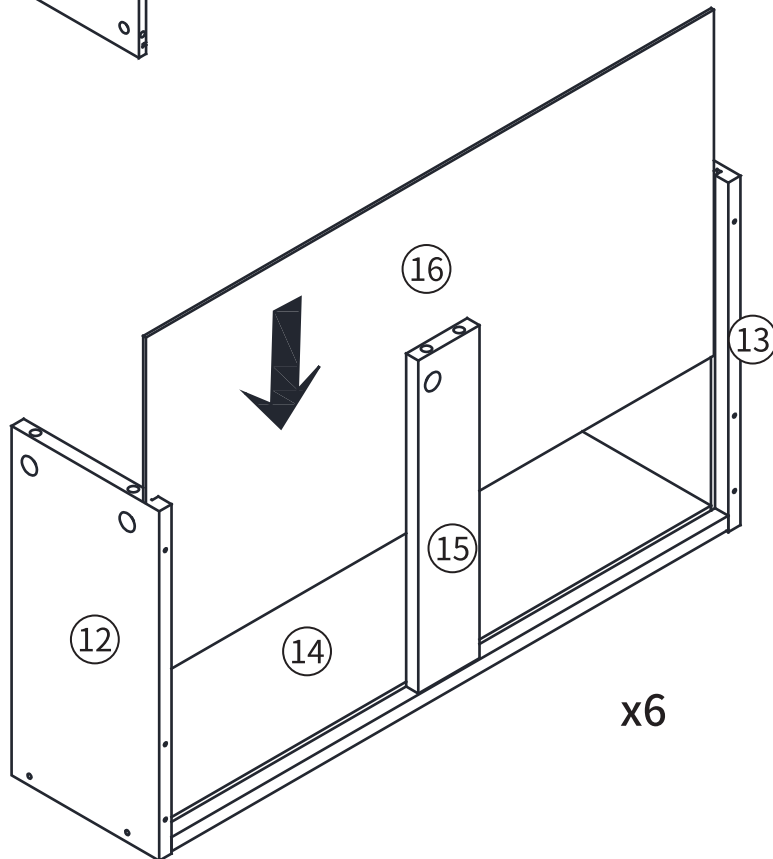
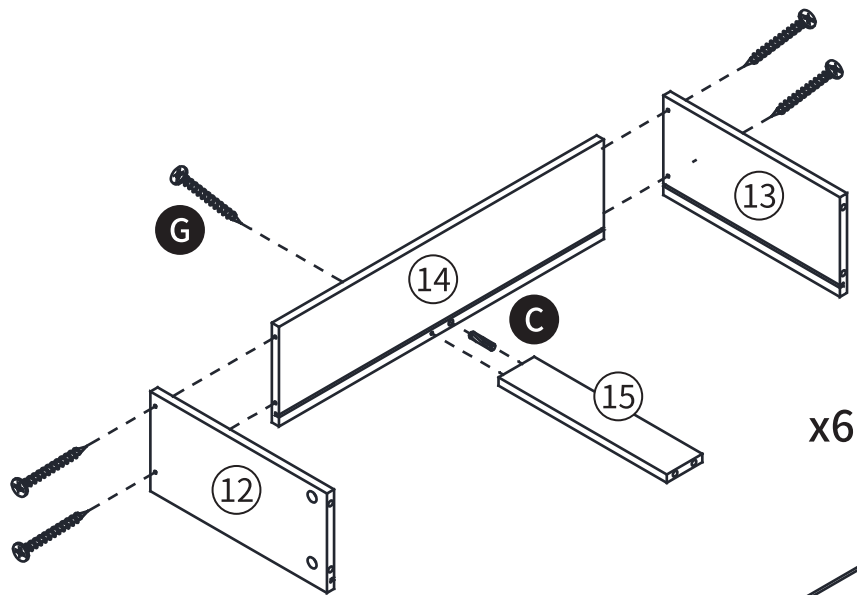


x6

G



x30



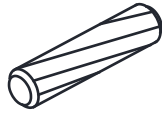
# STEP 17

A



x30

C

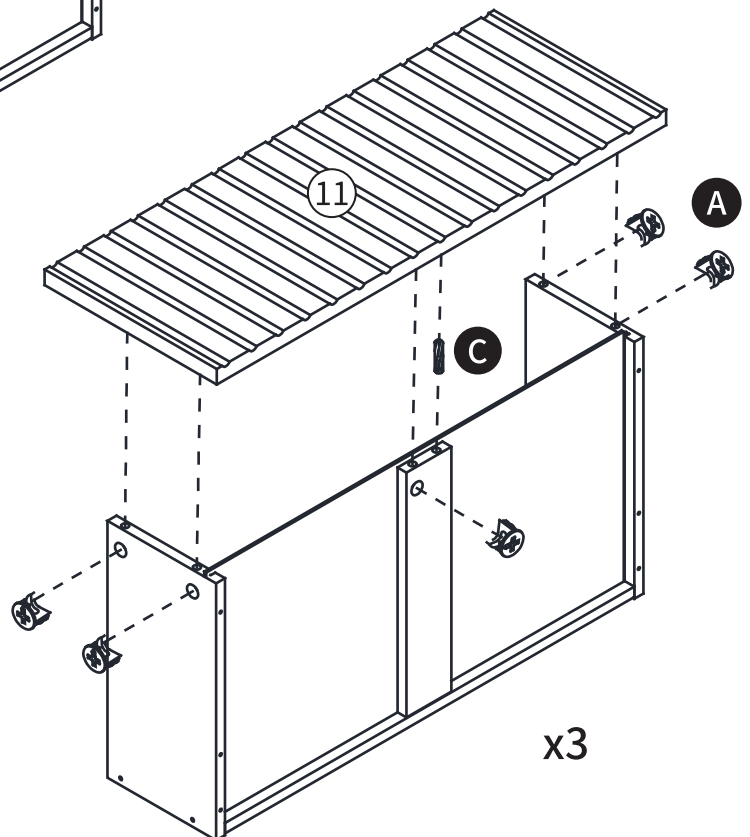
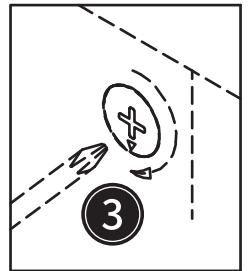
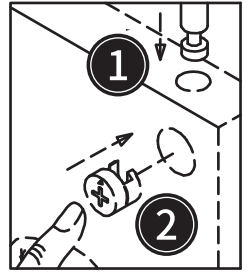
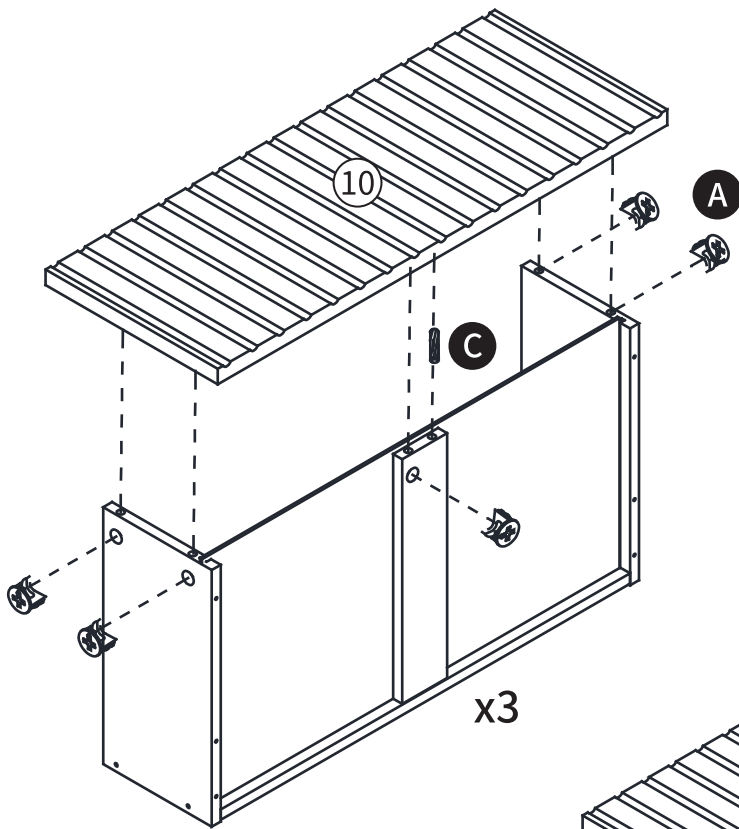


x6

L



x30



# STEP 18

H



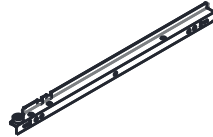
x36

DR

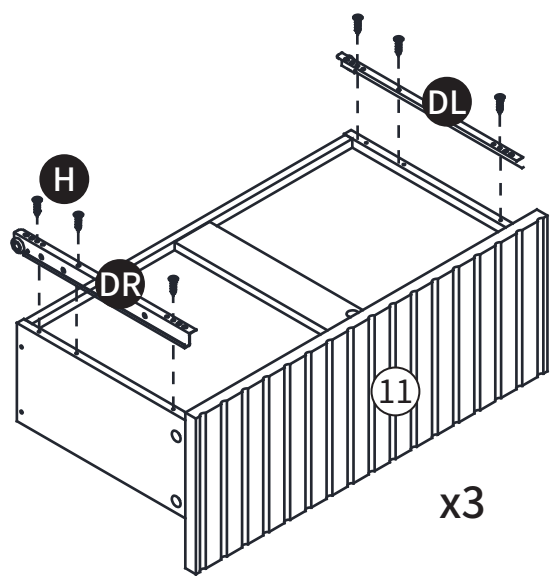
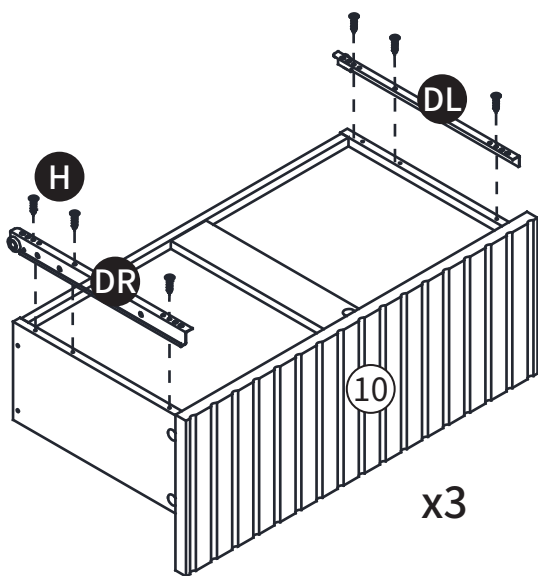
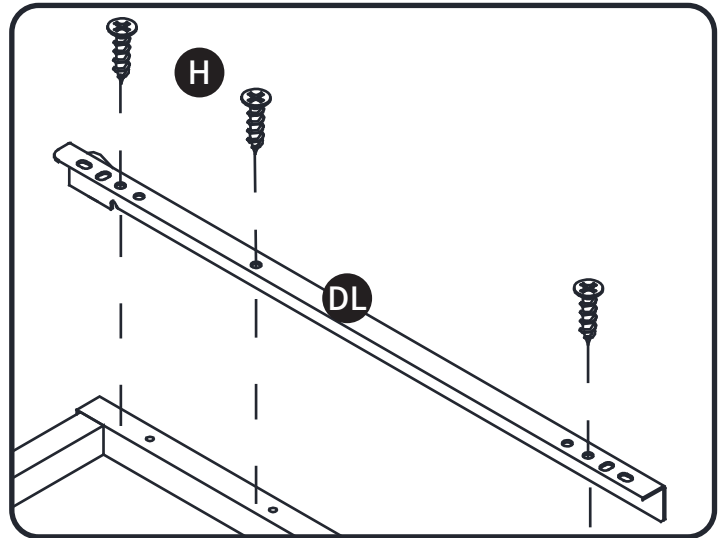
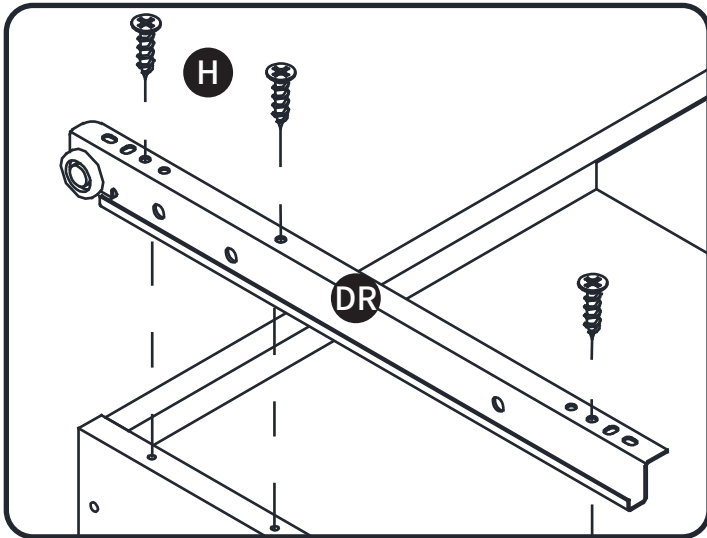


x6

DL



x6



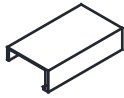
# STEP 19

H

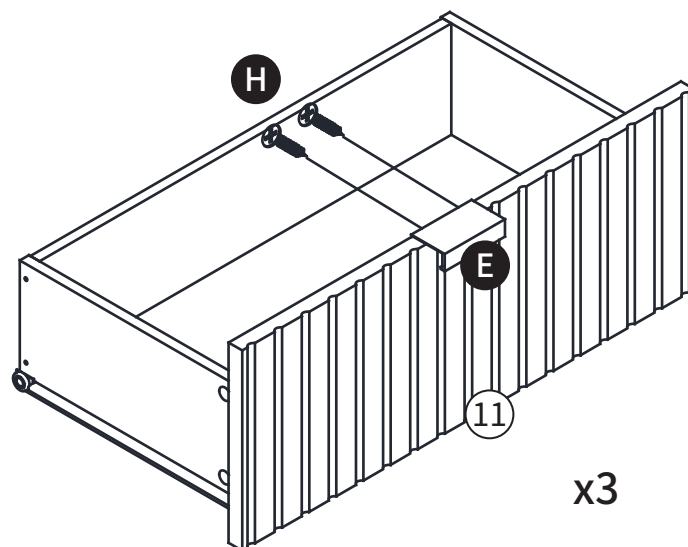
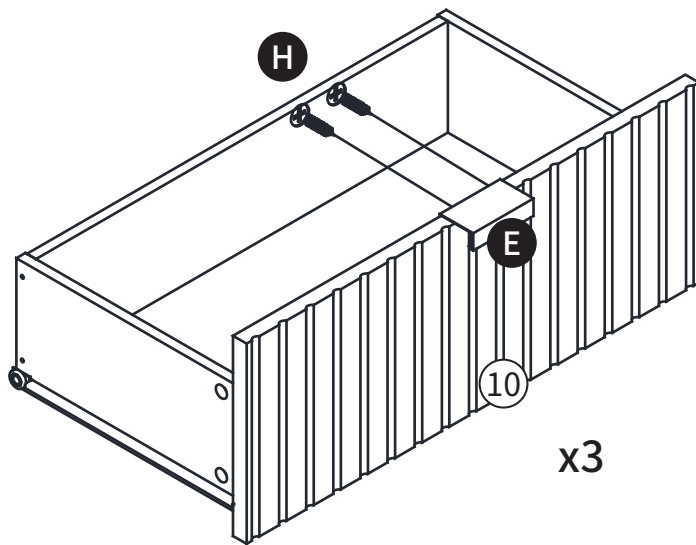


x12

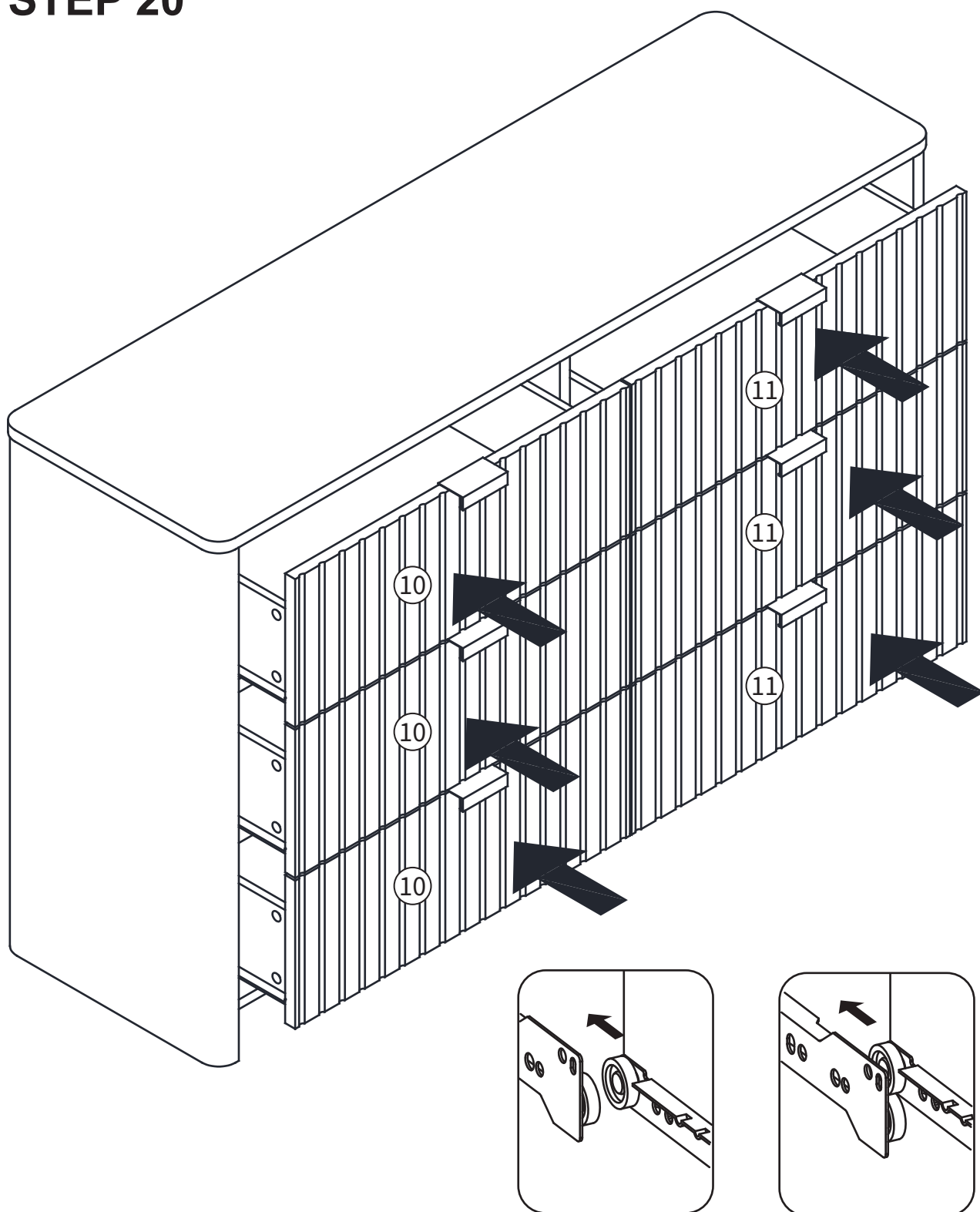
E



x6



# STEP 20



Notice: There are differences between the drawers on the left and right, please place them according to the instructions.

# STEP 21

J



x8

K



x8

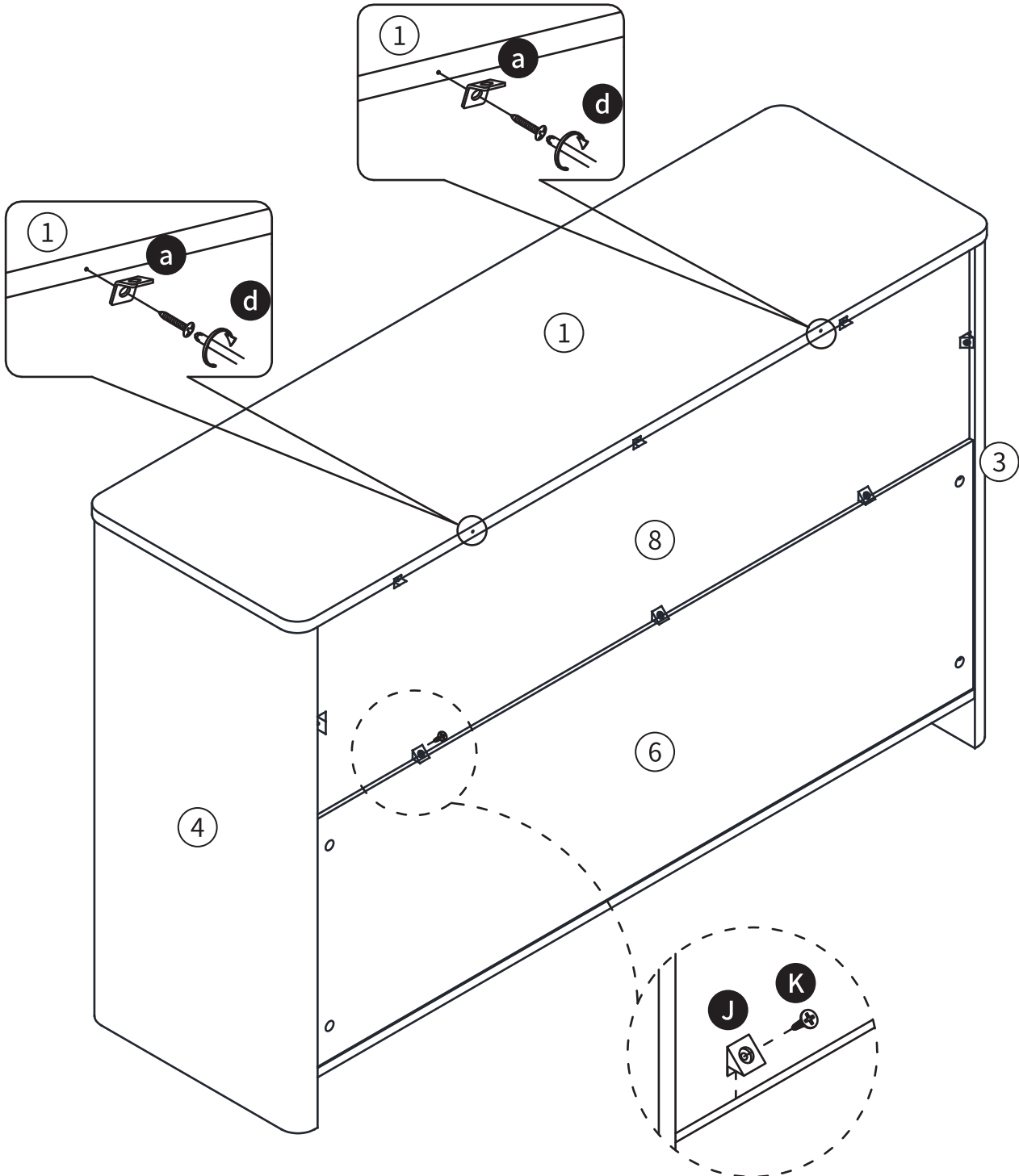
N



ax2



dx2



# STEP 22

N

