

Safety Information

- **Do not completely tighten screws until all screws are started.** Tighten each bolt firmly and properly.
- Some parts may contain sharp edges. Wear protective gloves as necessary.
- Children under the age of 16 should not be engaged in the assembly, removal or disassembly of the product. Children under the age of 10 should be supervised by a competent adult while using this furniture.
- Please keep children out of the assembly area during assembly.
- Never use this product as a support. Do not shake, lean, or climb on the product at any time.



DANGER: Do not allow children to play with plastic wraps or small parts to prevent potential choking hazard.



CAUTION: Read all the instructions before assembly. Failure to do so may result in faulty assembly and potential injury!

Warranty

LIMITED WARRANTY

This warranty is a limited warranty, and applies to the original purchase is required. This is a residential warranty and does not apply to commercial use. This collection carries a (1) year limited warranty and is valid from original date of purchase to the original owner (proof of purchase required).

WHAT IS COVERED

We warrant the frame to be free of Manufacturing defects to the original purchaser for one year.

WHAT IS NOT COVERED

This warranty does not cover commercial use, hardware, acts of nature, fire, freezing and abusive.

In addition, purchased parts are not covered under this warranty.

We reserve the right to make substitutions with similar merchandise, if the model in question is no longer in production.

For a copy of our full limited warranty, please contact our customer service team.

WARNING

Please read the instructions carefully and follow the assembly steps.



**SAFETY AND
CARE ADVICE**



NO POWER TOOLS

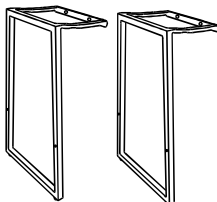
ASSEMBLY PARTS AND TOOL

A



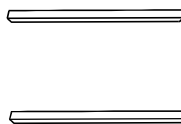
1PC

B



2PCS

C



2PCS

D



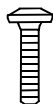
2PCS

E



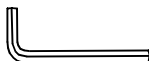
4PCS

F



4PCS

G



1PC

H



2PCS

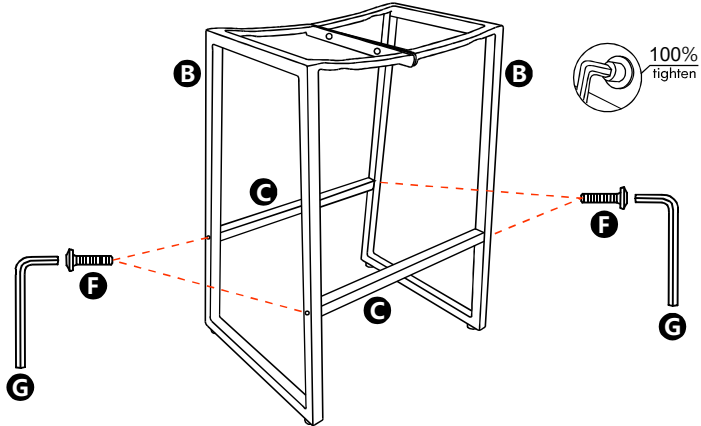
I



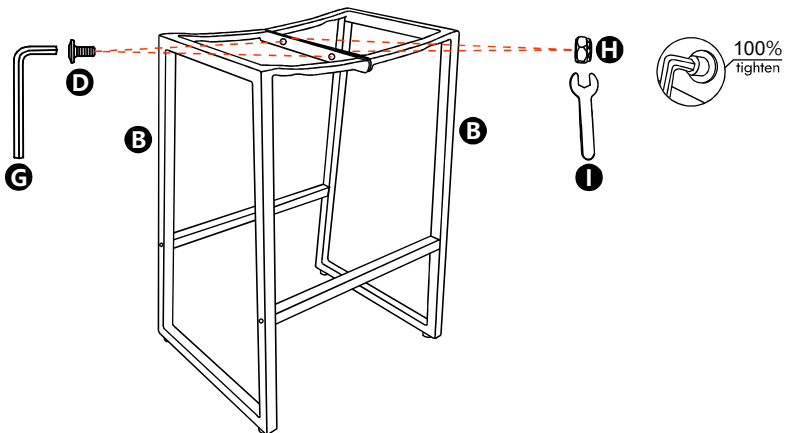
1PC

Assembly

STEP 1 Insert the leg labeled "C". Use "F & G" to make connection "B" with "B" with tighten 100%.

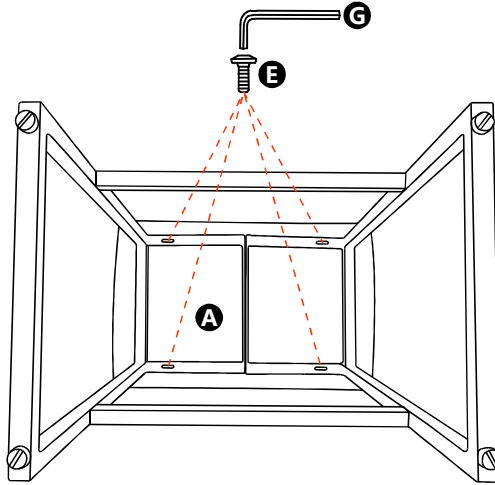


STEP 2 Use "D & H & G & I" 100% lock the two "B".



Assembly

STEP 3 Put "A" on a clean surface. Use "E&G" to make connection "A" with the leg with tighten 100%.



STEP 4

