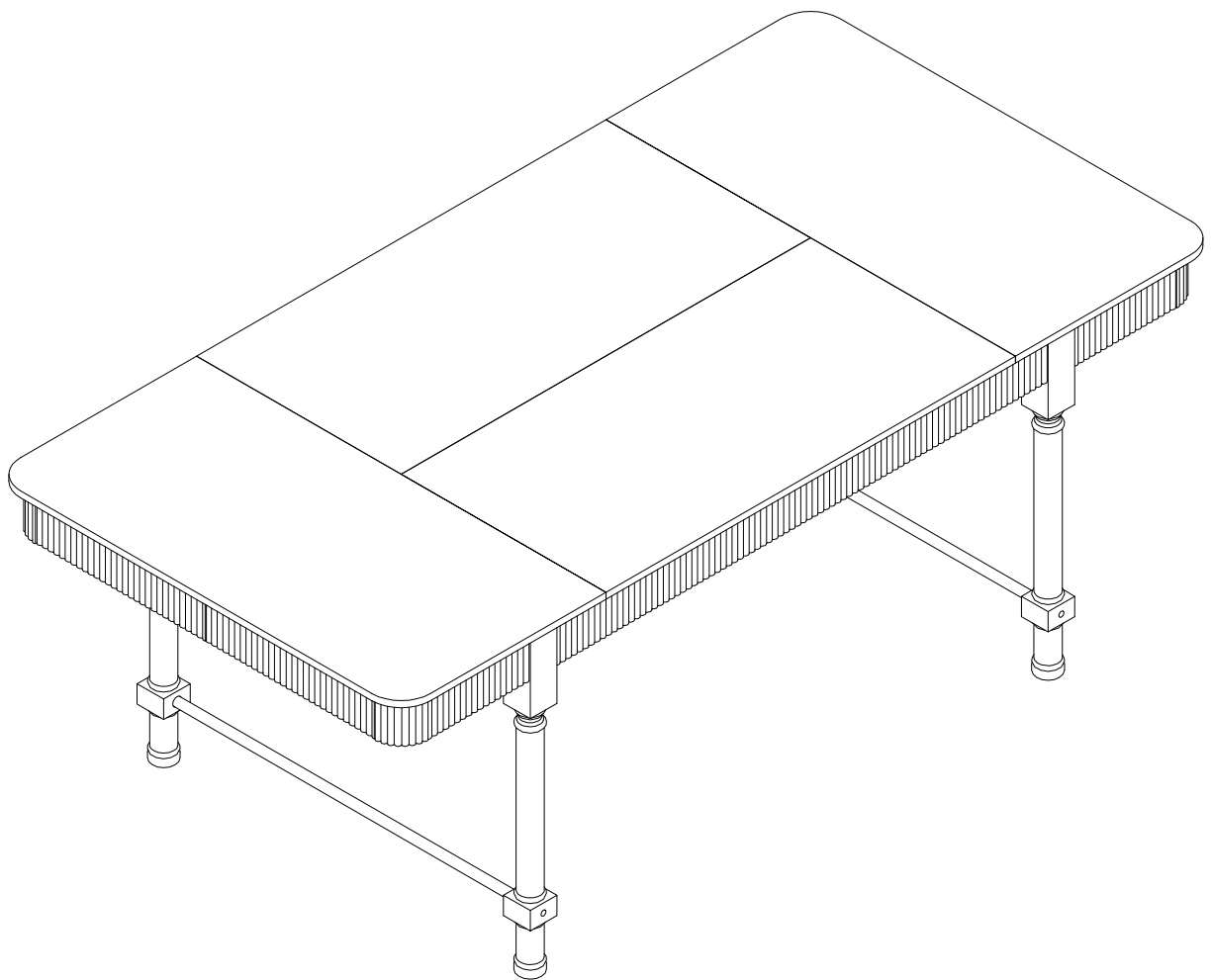


# Assembly Instructions

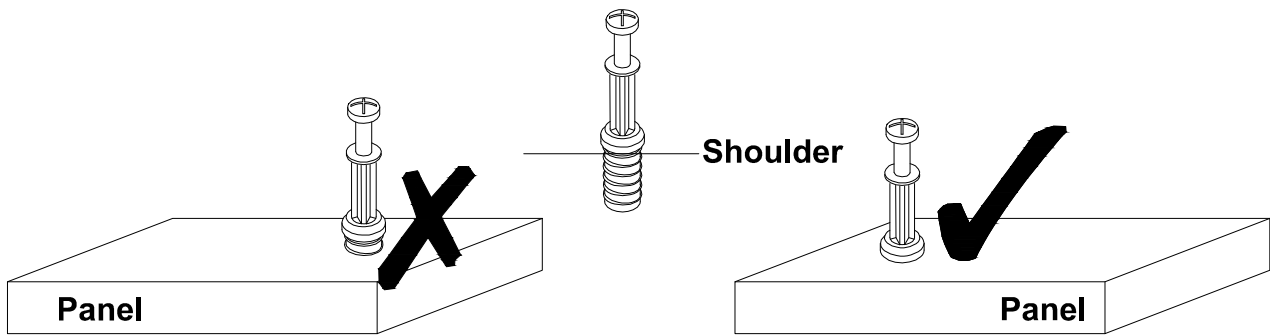


# Before Assembly

## Tips Before Your Start:

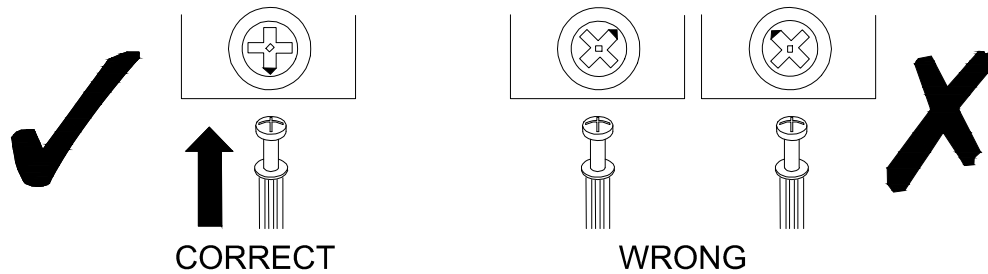
- Remove all wrapping material, including staples & packing straps before you start to assemble.
- DO NOT tighten all screws and bolts until the assembly is completely assembled.
- Keep all hardware parts out of reach of children.

## QUICKFIT



Tighten quickfit until shoulder is flush with panel. Do not overtighten or undertighten.

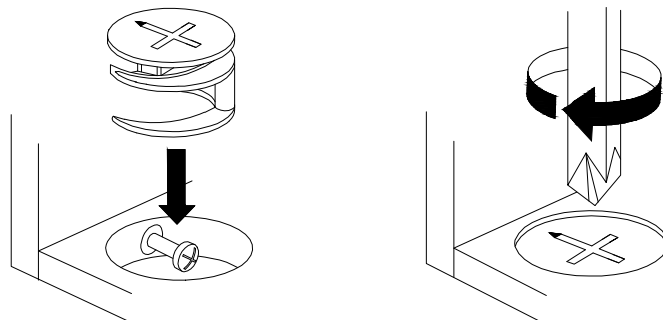
## CAM LOCK



When fitting a cam lock, ensure the starting position is correct before inserting the connecting QUI CKFIT

Quickfit head should be in the centre of the cam lock when the two panels are joined.

Cam lock should be inserted before quickfit.

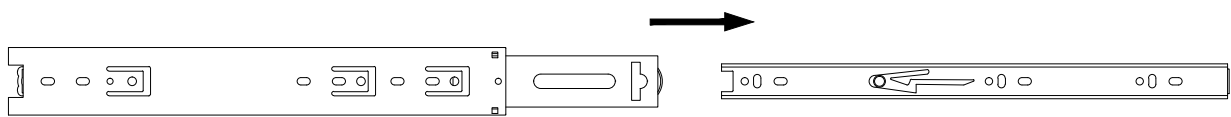
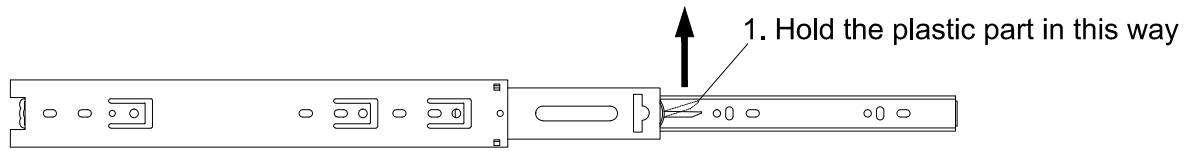


Turn cam lock clockwise to tighten.

# Before Assembly

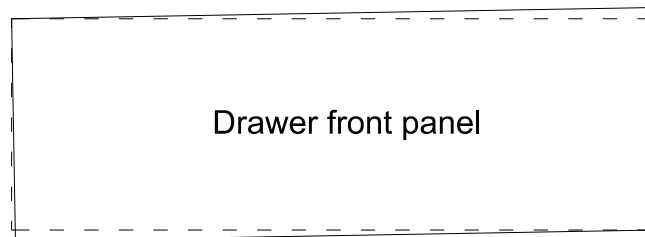
## Tips Before Your Start

How to separate the drawer slider:

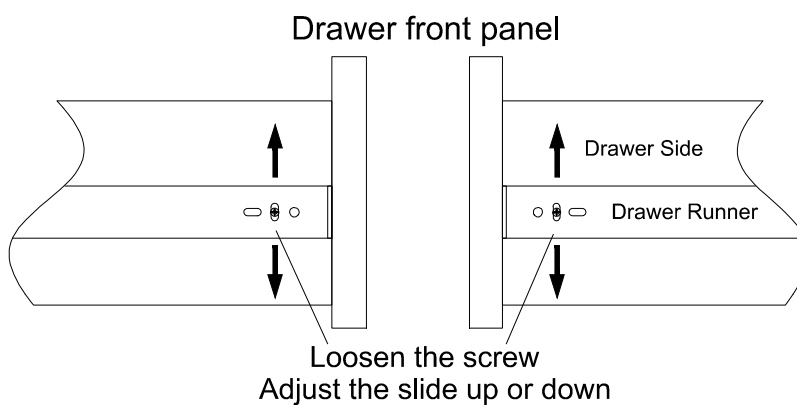


2. Pull out the inner slider for drawer box fixing

## Drawer Front Alignment




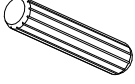
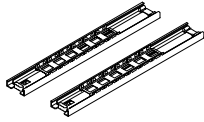
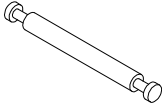
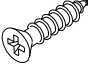
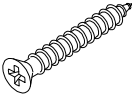

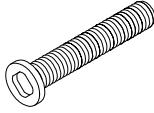
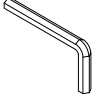


If the drawer front panel is NOT level after being assembled, then...

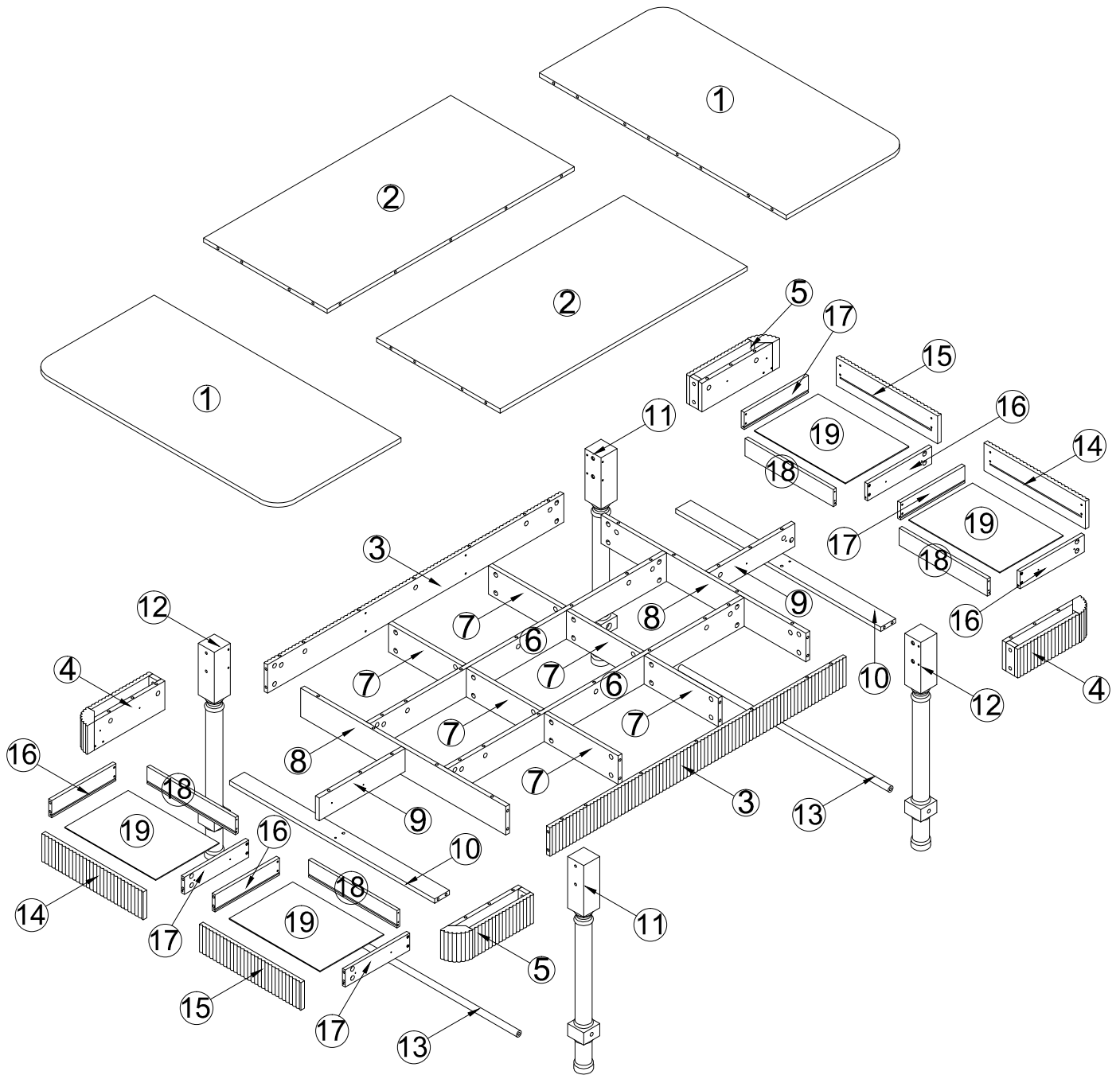


Loosen the screws on the left and right hand side, then adjust the drawer slide up or down, until the drawer fronts are even/level, then tighten the screws.

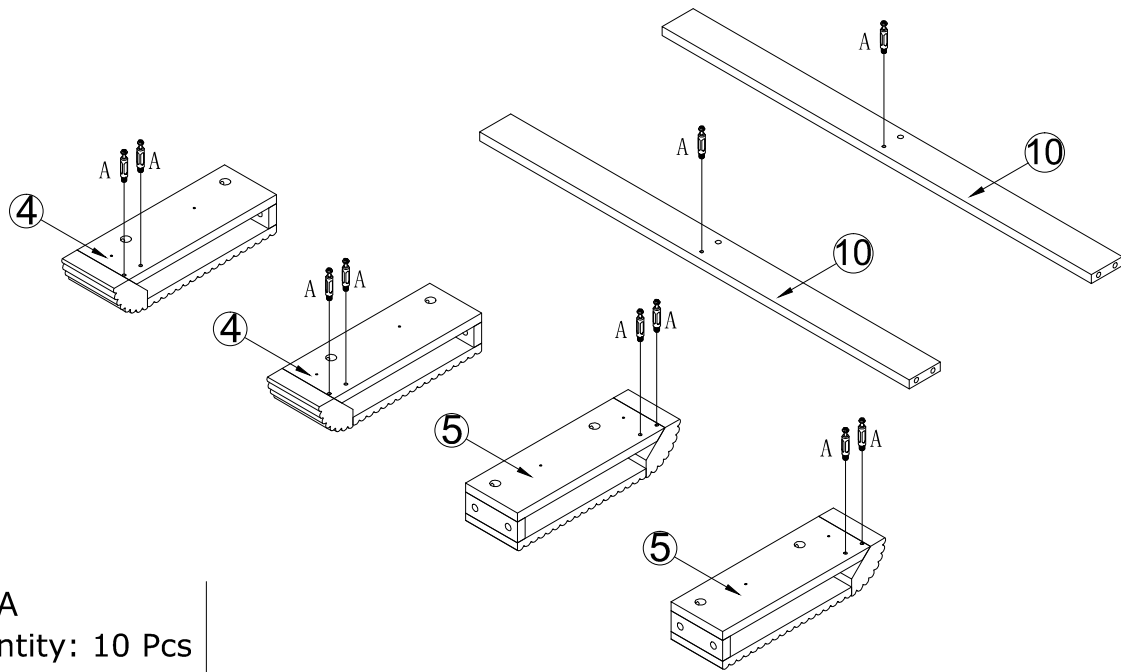
# Part List

<p><b>No. A</b> Quantity:112 Pcs Cam Lock Dowel 8*28mm</p> 	<p><b>No. B</b> Quantity:134 Pcs Cam Ø15</p> 	<p><b>No. C</b> Quantity:134 Pcs Sticker Ø20</p> 	<p><b>No. D</b> Quantity:30 Pcs Dowel 8*30mm</p> 
<p><b>No. E</b> Quantity:4 Pcs Drawer Slider 10"</p> 	<p><b>No. F</b> Quantity:11 Pcs Double-ended rod 6*64mm</p> 	<p><b>No. G</b> Quantity:32 Pcs Screw M3.5*12mm</p> 	<p><b>No. H</b> Quantity:16 Pcs Screw M4*30mm</p> 
<p><b>No. I</b> Quantity:4 Pcs Foot Pad Ø20</p> 	<p><b>No. J</b> Quantity:12 Pcs Screw M6*60mm</p> 	<p><b>No. K</b> Quantity:1 Pcs Allen Key 4#</p> 	

# Product structure



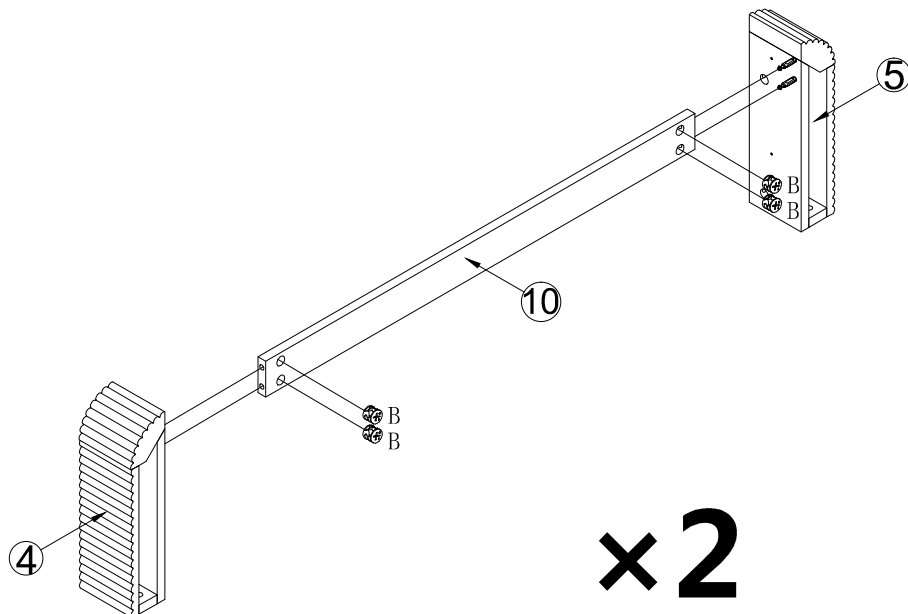
# STEP 1



No. A  
Quantity: 10 Pcs  
8\*28mm



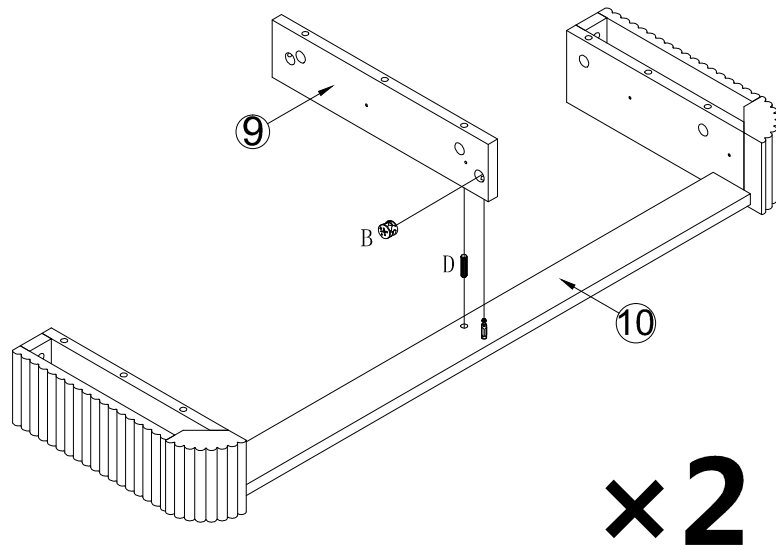
# STEP 2



No. B  
Quantity: 8 Pcs  
Ø15



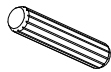
# STEP 3



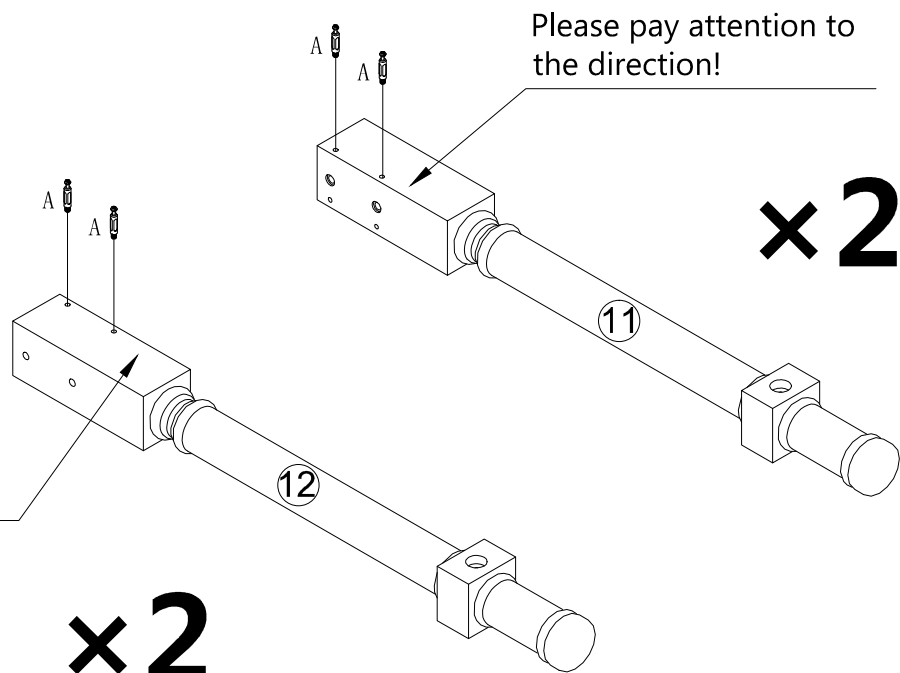
No. B  
Quantity: 2 Pcs  
Ø15



No. D  
Quantity: 2 Pcs  
8\*30mm



# STEP 4



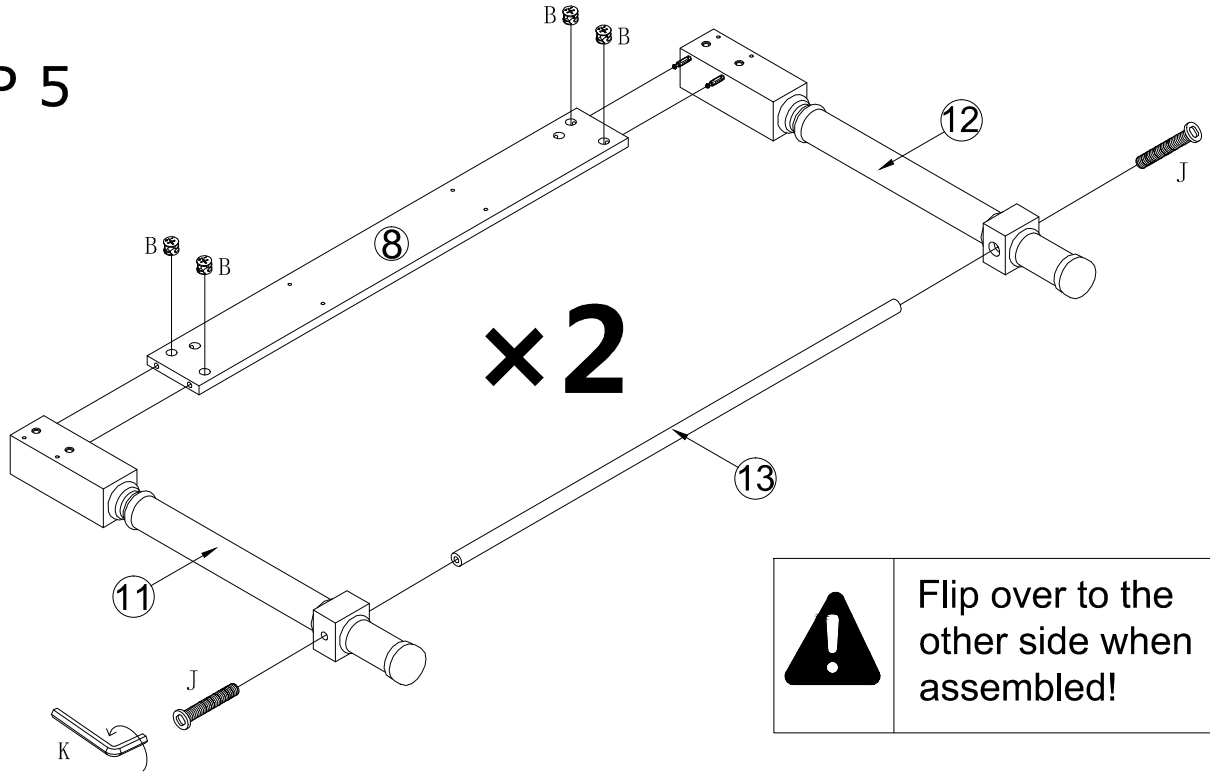
Please pay attention to the direction!

Please pay attention to the direction!

No. A  
Quantity: 8 Pcs  
8\*28mm



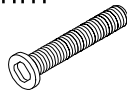
# STEP 5



No. B  
Quantity: 8 Pcs  
Ø15



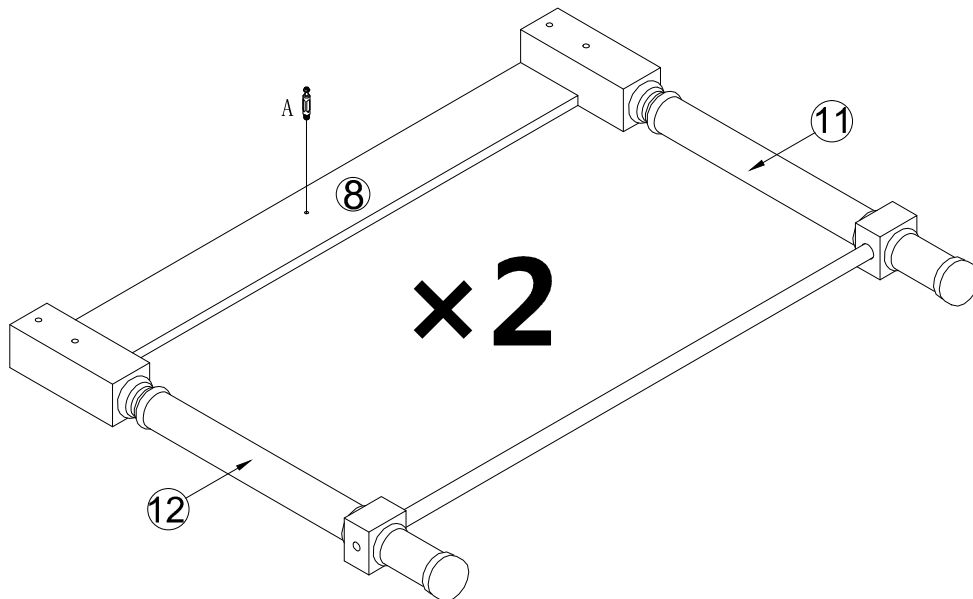
No. J  
Quantity: 4 Pcs  
M6\*60mm



No. K  
Quantity: 1 Pcs  
4#



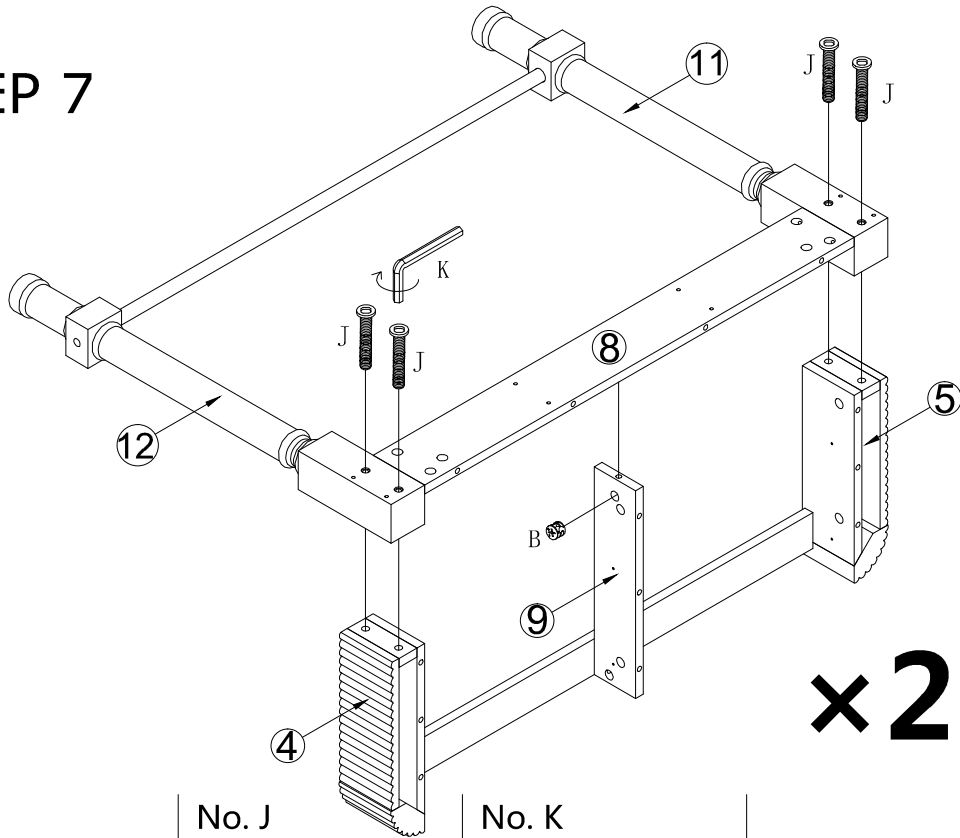
# STEP 6



No. A  
Quantity: 2 Pcs  
8\*28mm



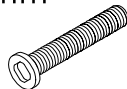
# STEP 7



No. B  
Quantity: 2 Pcs  
Ø15



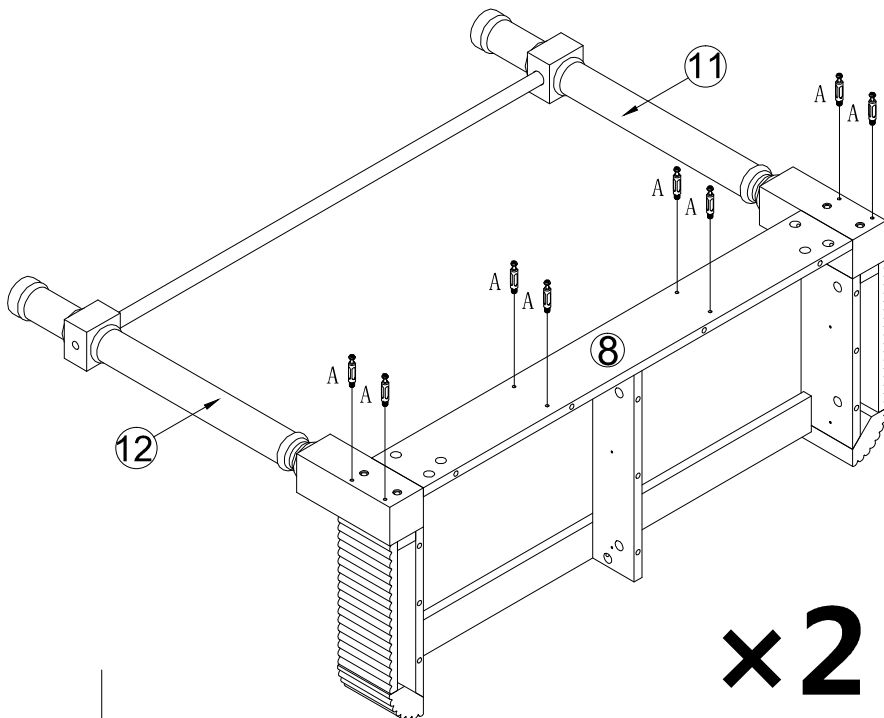
No. J  
Quantity: 8 Pcs  
M6\*60mm



No. K  
Quantity: 1 Pcs  
4#



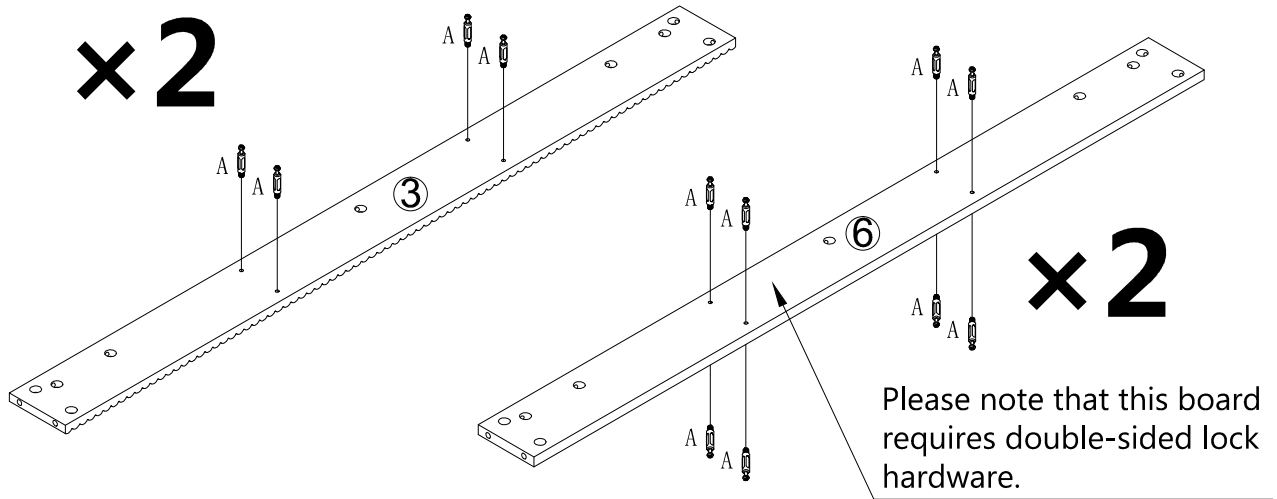
# STEP 8



No. A  
Quantity: 16 Pcs  
8\*28mm



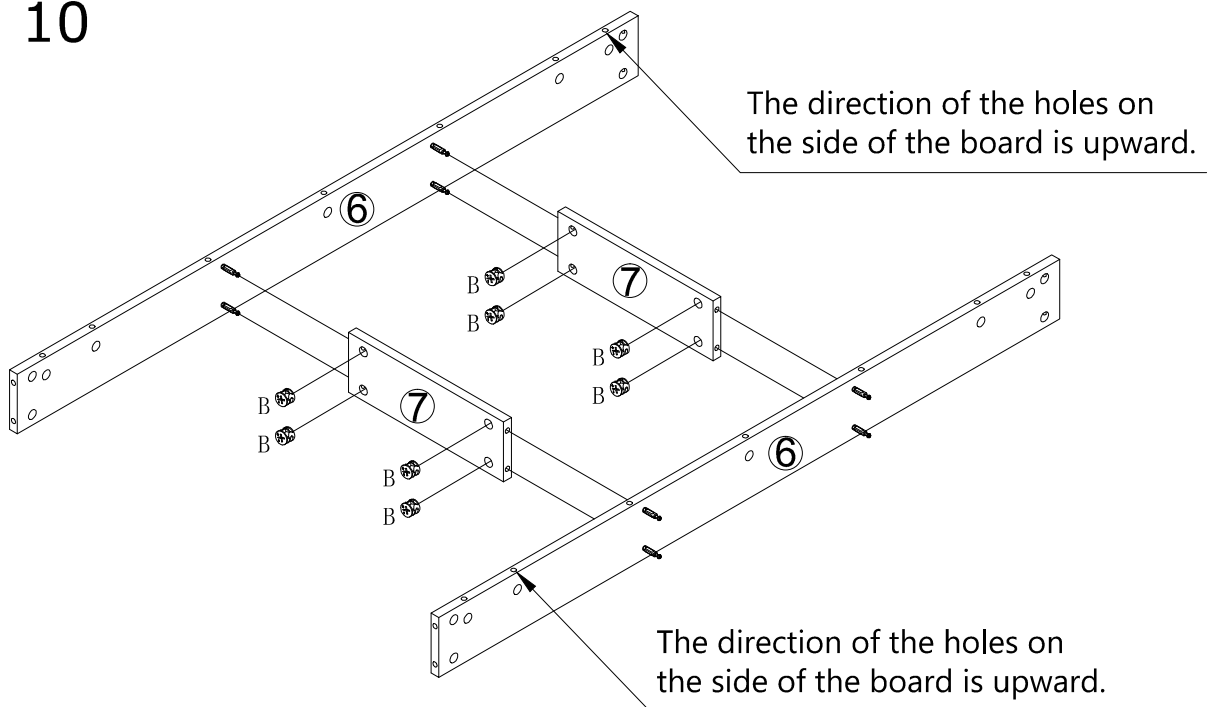
# STEP 9



No. A  
Quantity: 24 Pcs  
8\*28mm



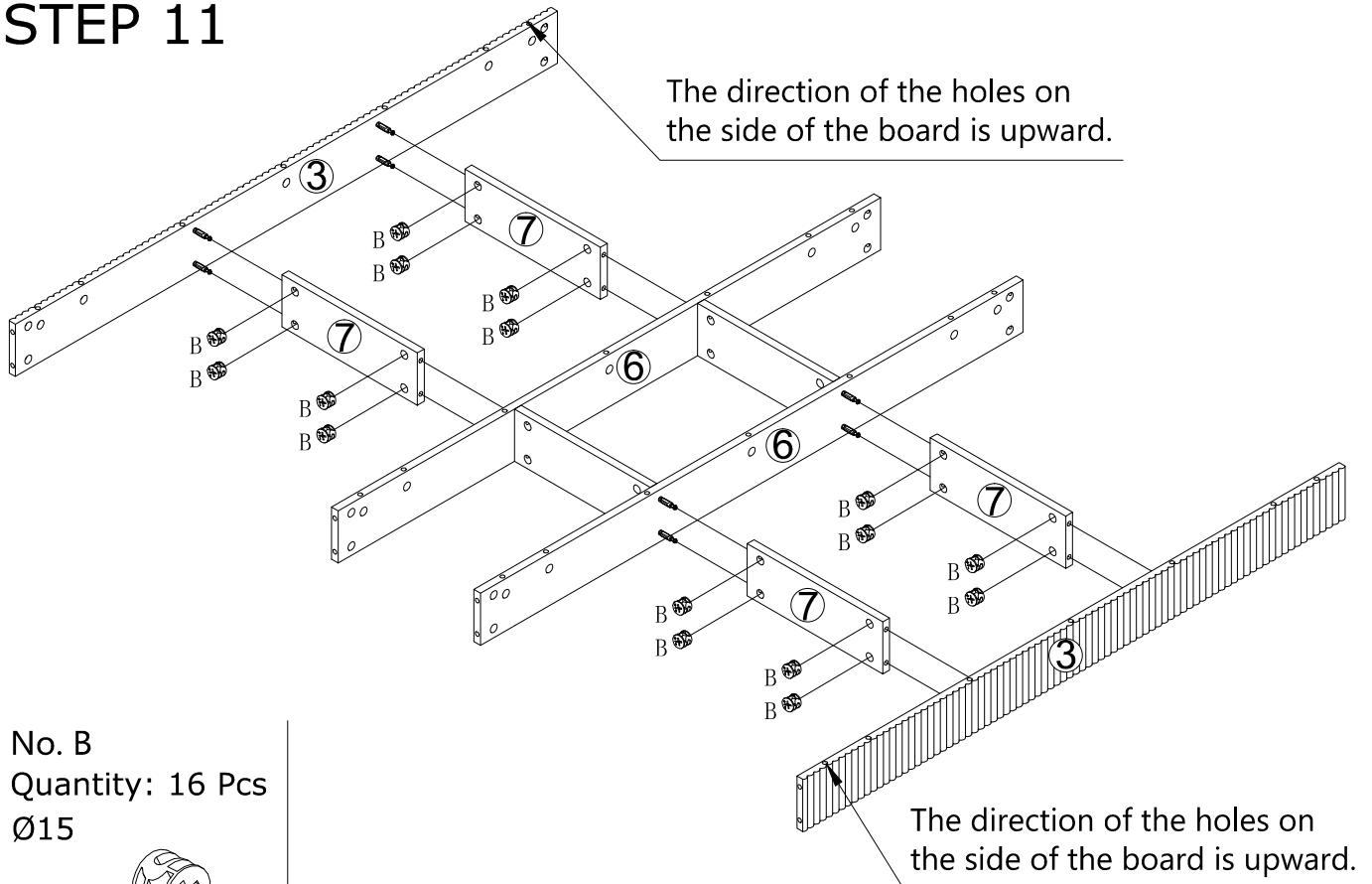
# STEP 10



No. B  
Quantity: 8 Pcs  
Ø15



# STEP 11

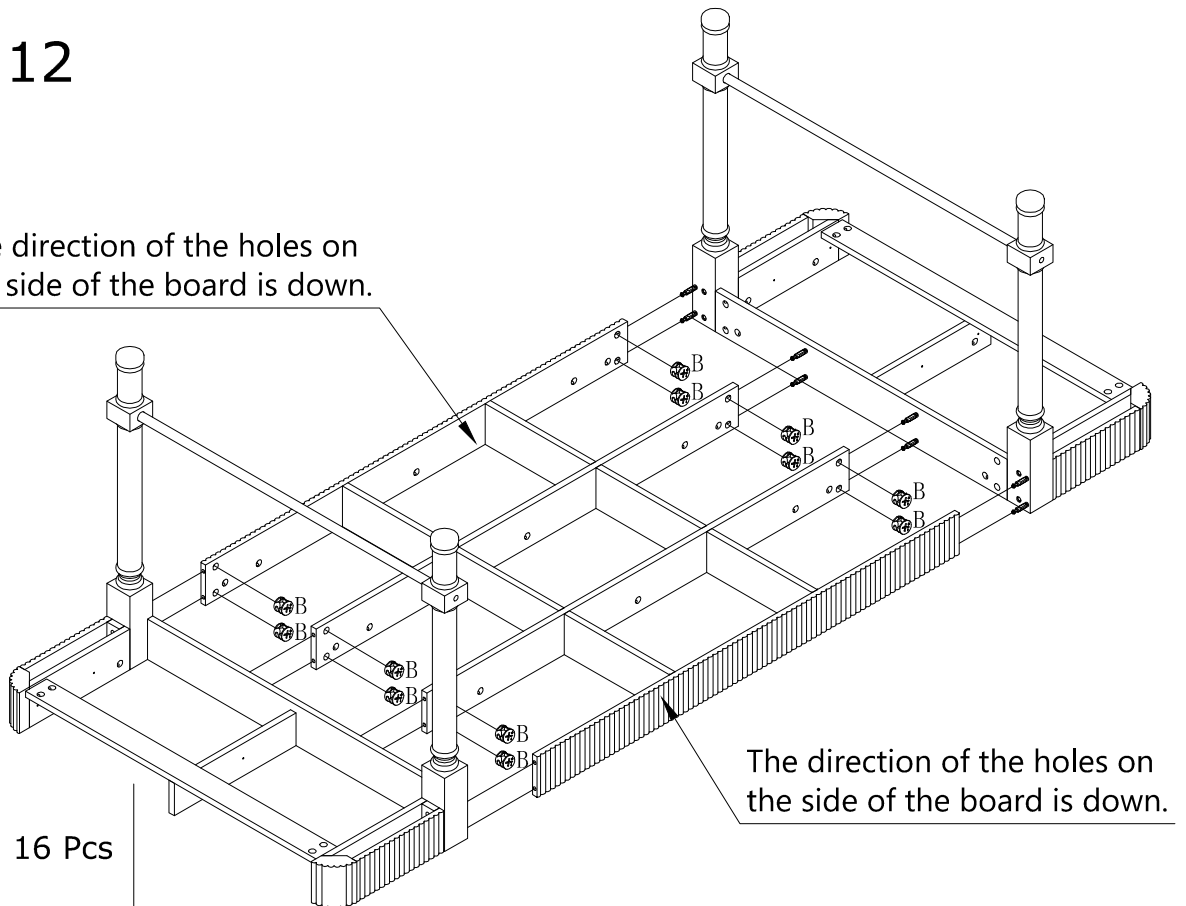


No. B  
Quantity: 16 Pcs  
Ø15



# STEP 12

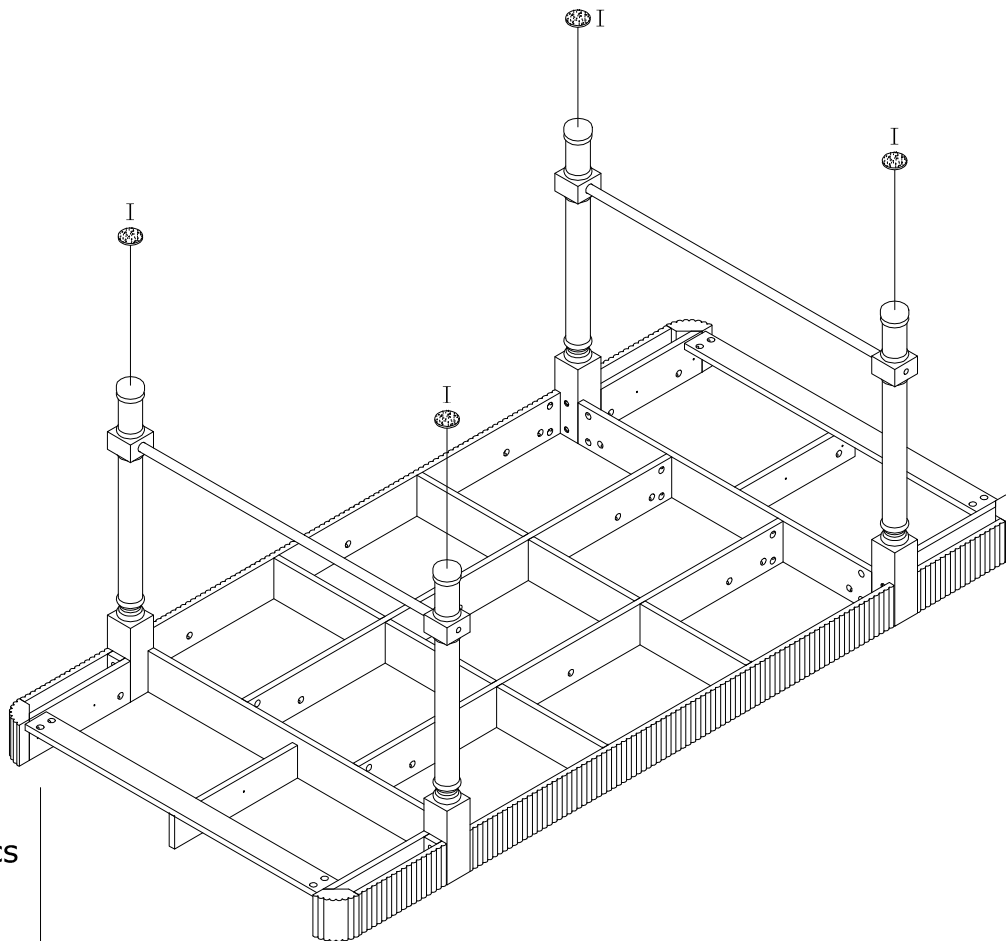
The direction of the holes on the side of the board is down.



No. B  
Quantity: 16 Pcs  
Ø15



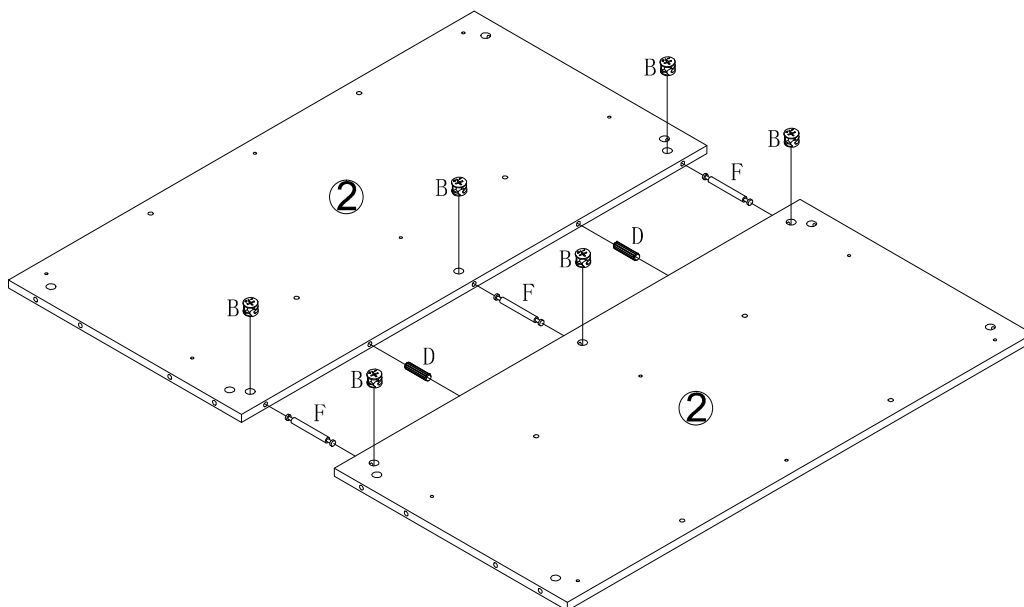
# STEP 13



No. I  
Quantity: 4 Pcs  
Ø20



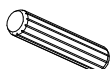
# STEP 14



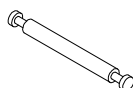
No. B  
Quantity: 6 Pcs  
Ø15



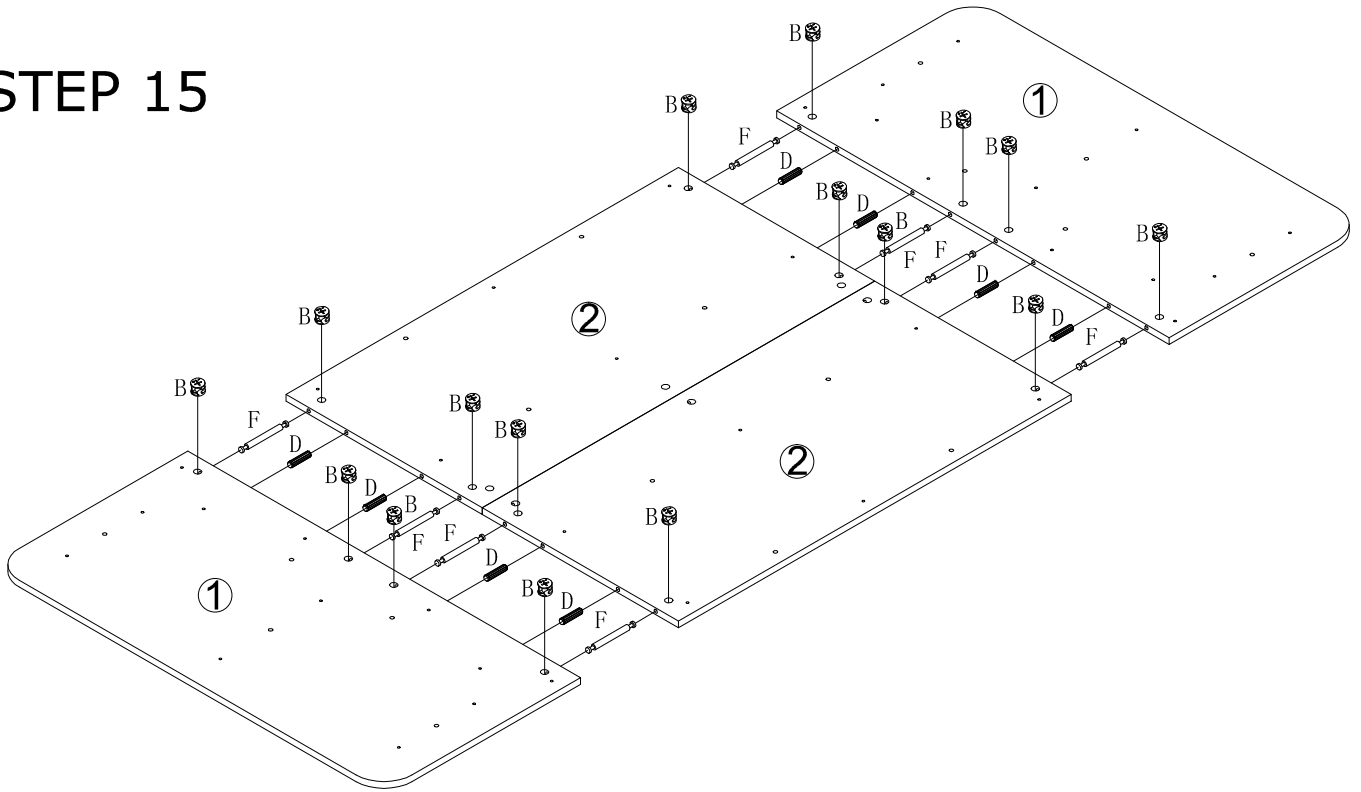
No. D  
Quantity: 2 Pcs  
8\*30mm



No. F  
Quantity: 3 Pcs  
6\*64mm



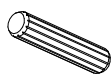
# STEP 15



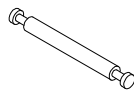
No. B  
Quantity: 16 Pcs  
Ø15



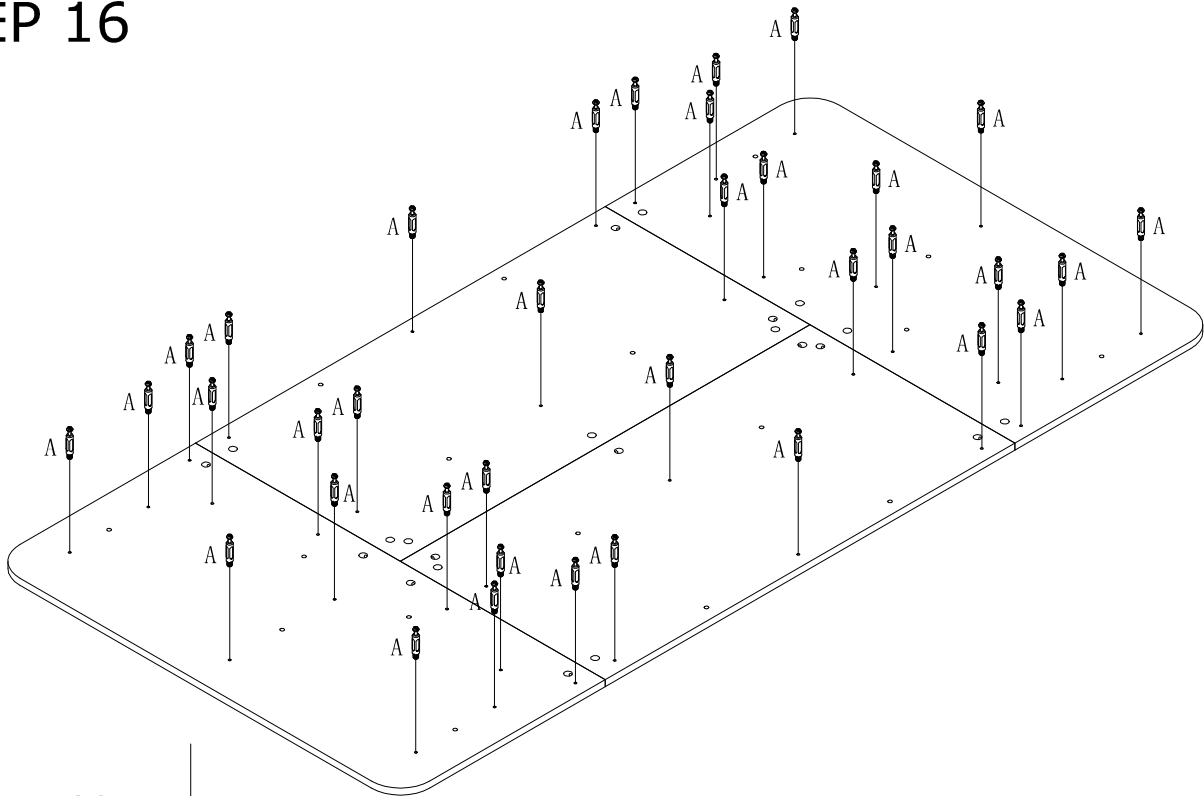
No. D  
Quantity: 8 Pcs  
8\*30mm



No. F  
Quantity: 8 Pcs  
6\*64mm



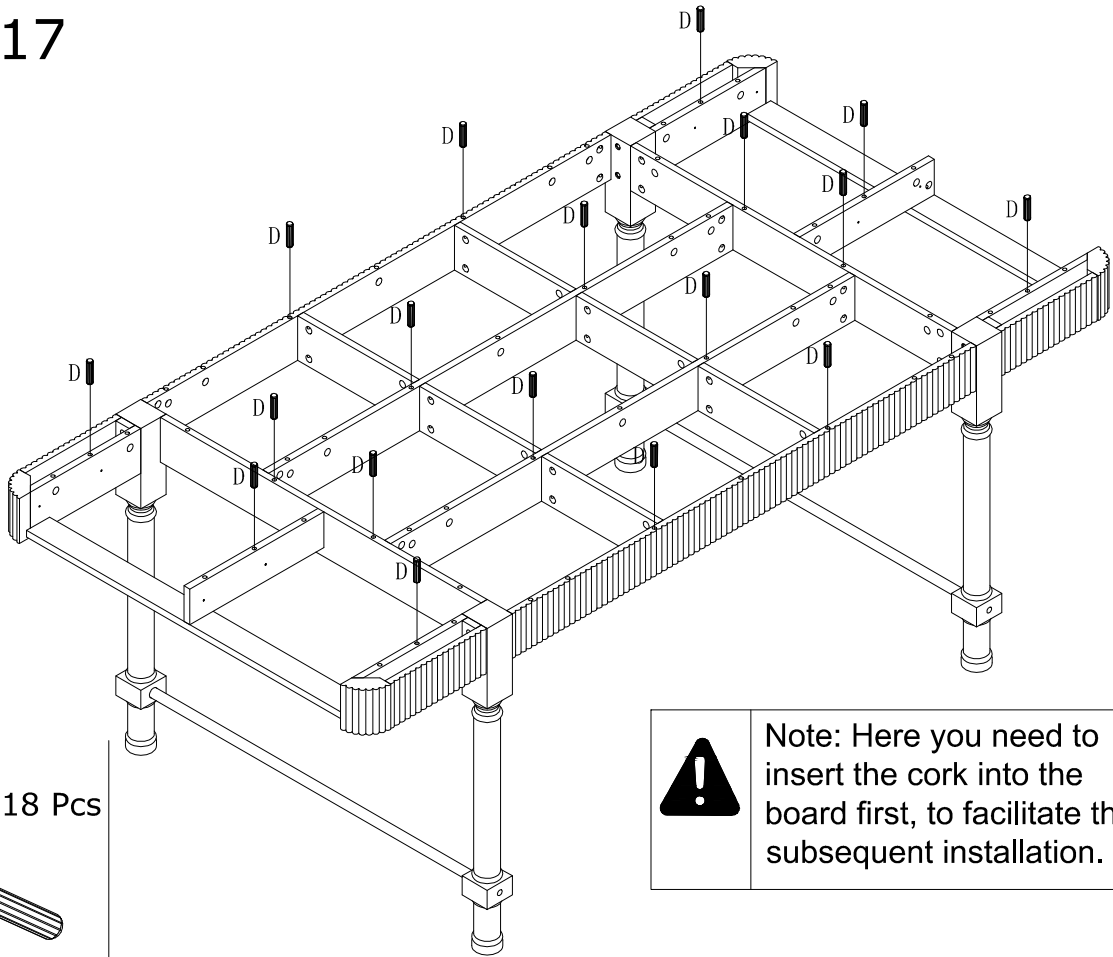
# STEP 16



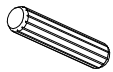
No. A  
Quantity: 36 Pcs  
8\*28mm



# STEP 17



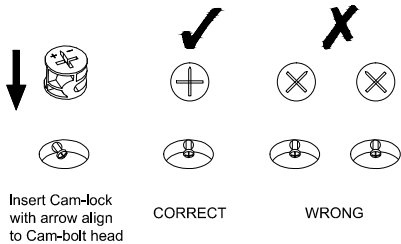
No. D  
Quantity: 18 Pcs  
8\*30mm



Note: Here you need to insert the cork into the board first, to facilitate the subsequent installation.

# STEP 18

## INSERTING AND TIGHTENING CAM-BOLT



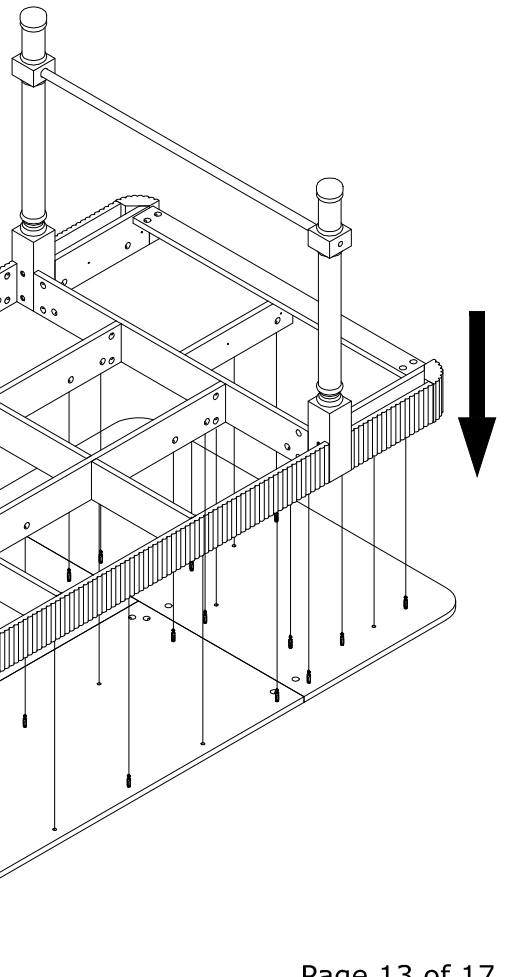
Insert Cam-lock with arrow align to Cam-bolt head

CORRECT

WRONG



Align the arrow on the Cam-lock to the Cam-bolt head and insert the Cam-lock. Ensure Cam-lock is fully inserted.

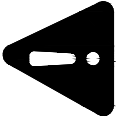


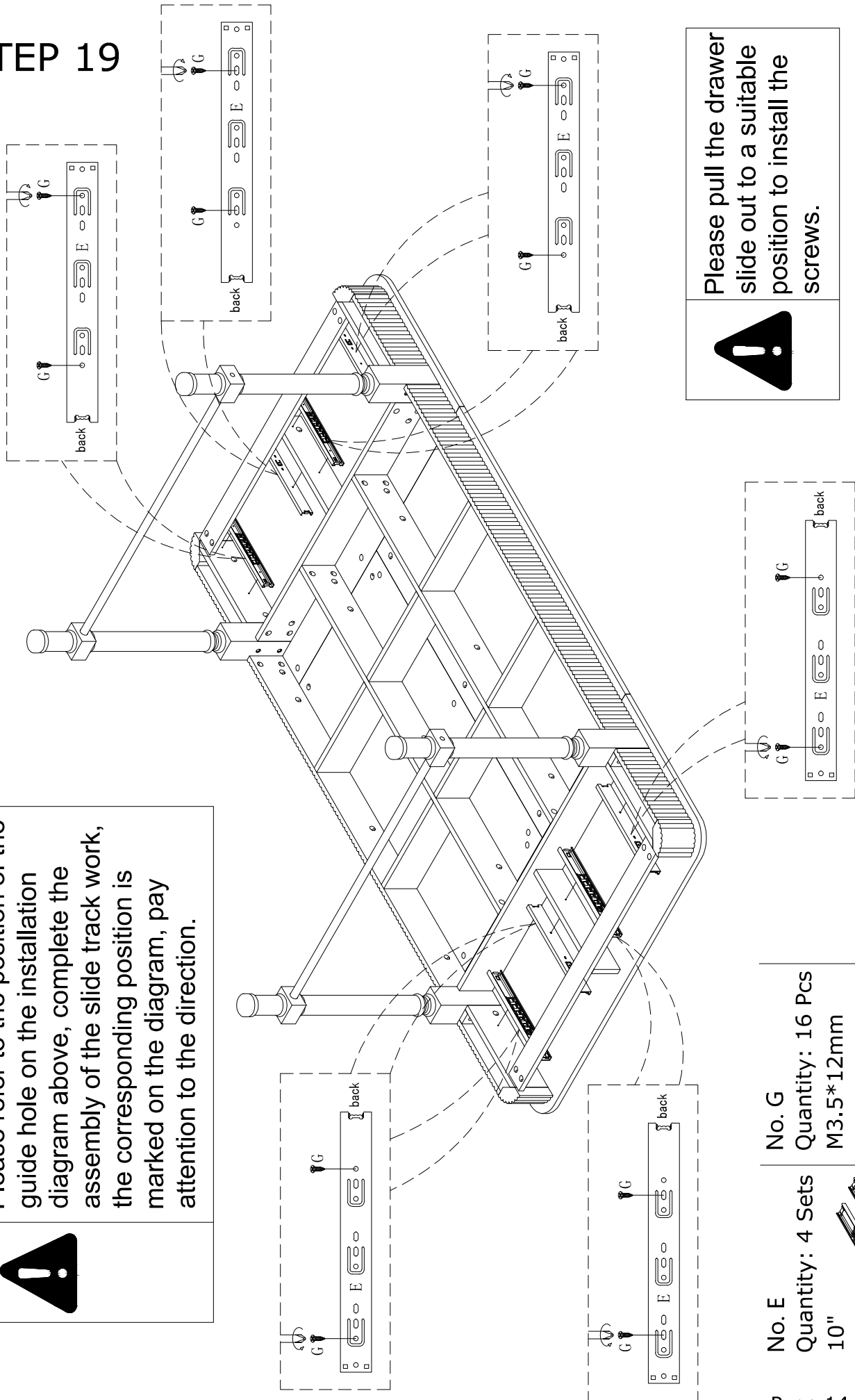
Note: It takes a bit of patience to install here, please align the holes and do not press violently, be careful not to pinch your hand!

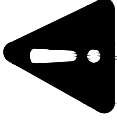
No. B  
Quantity: 36 Pcs  
Ø15

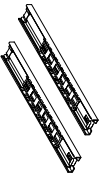



# STEP 19

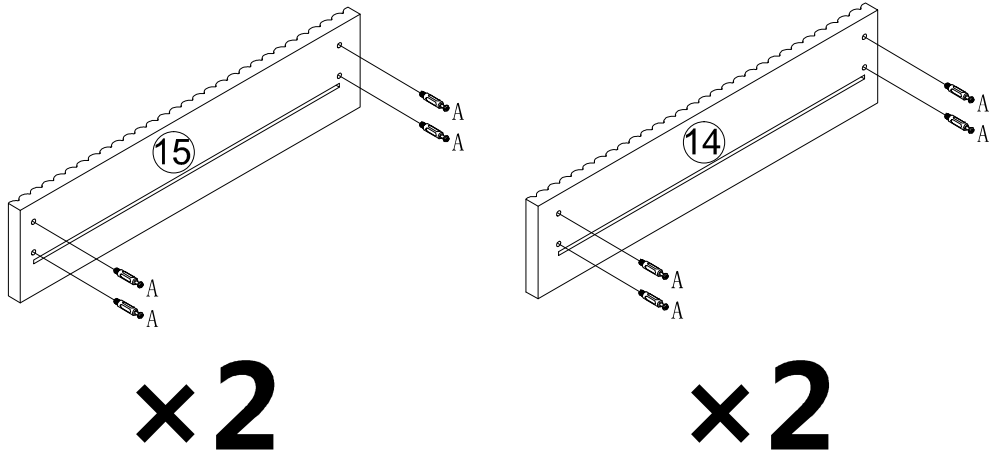
 Please refer to the position of the guide hole on the installation diagram above, complete the assembly of the slide track work, the corresponding position is marked on the diagram, pay attention to the direction.



 Please pull the drawer slide out to a suitable position to install the screws.

- |       |                  |   |
|-------|------------------|---|
| No. E | Quantity: 4 Sets |            |
| No. G | Quantity: 16 Pcs | M3.5*12mm  |

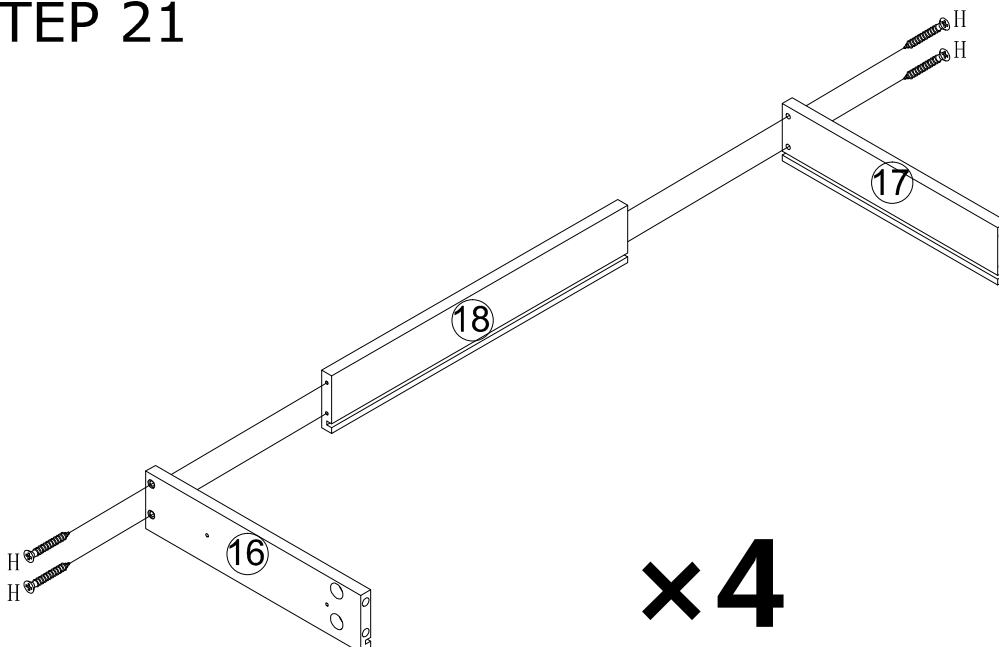
## STEP 20



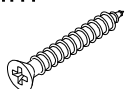
No. A  
Quantity: 16 Pcs  
8\*28mm



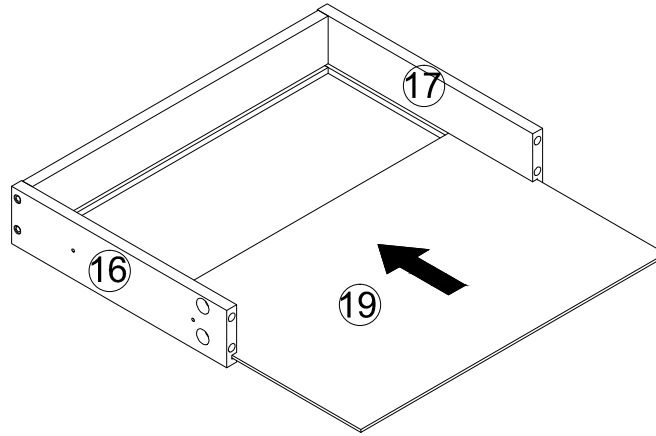
## STEP 21



No. H  
Quantity: 16 Pcs  
M4\*30mm

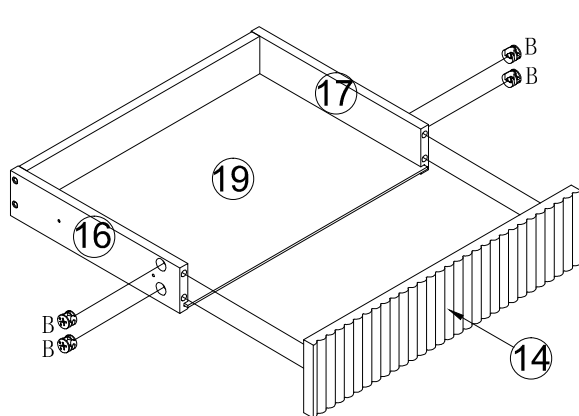


# STEP 22

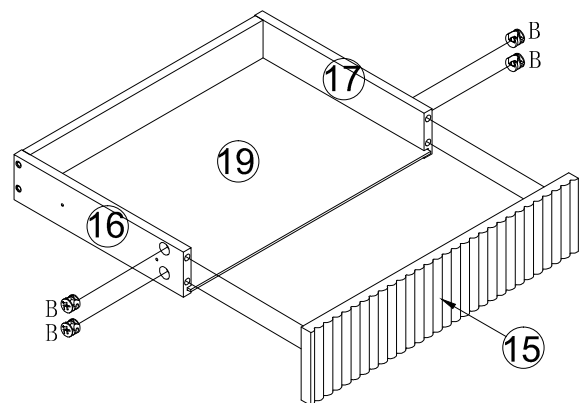


**x4**

# STEP 23



**x2**



**x2**

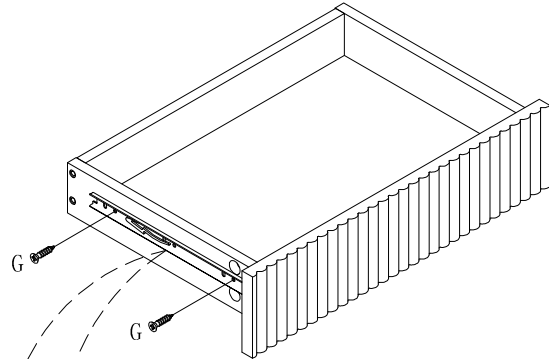
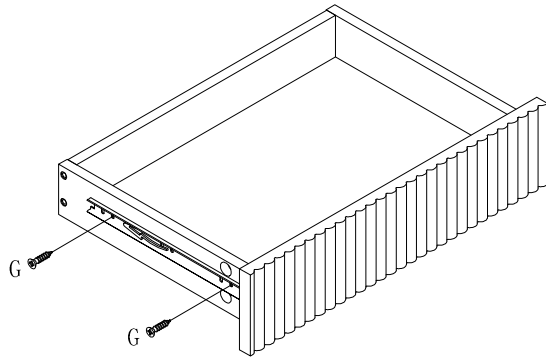
No. B  
Quantity: 16 Pcs  
Ø15



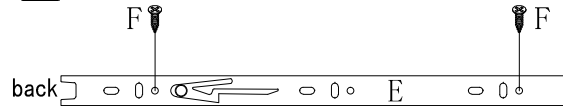
## STEP 24



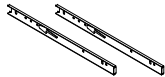
The first screw hole should correspond with the board location hole



**!** Here are only the corresponding holes



No. E  
Quantity: 4 Sets  
10"



No. G  
Quantity: 16 Pcs  
M3.5\*12mm



## STEP 25

