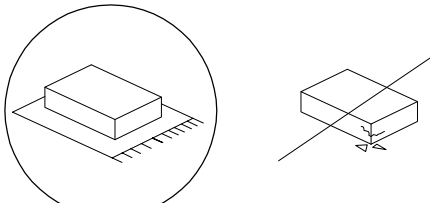

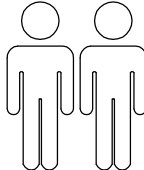
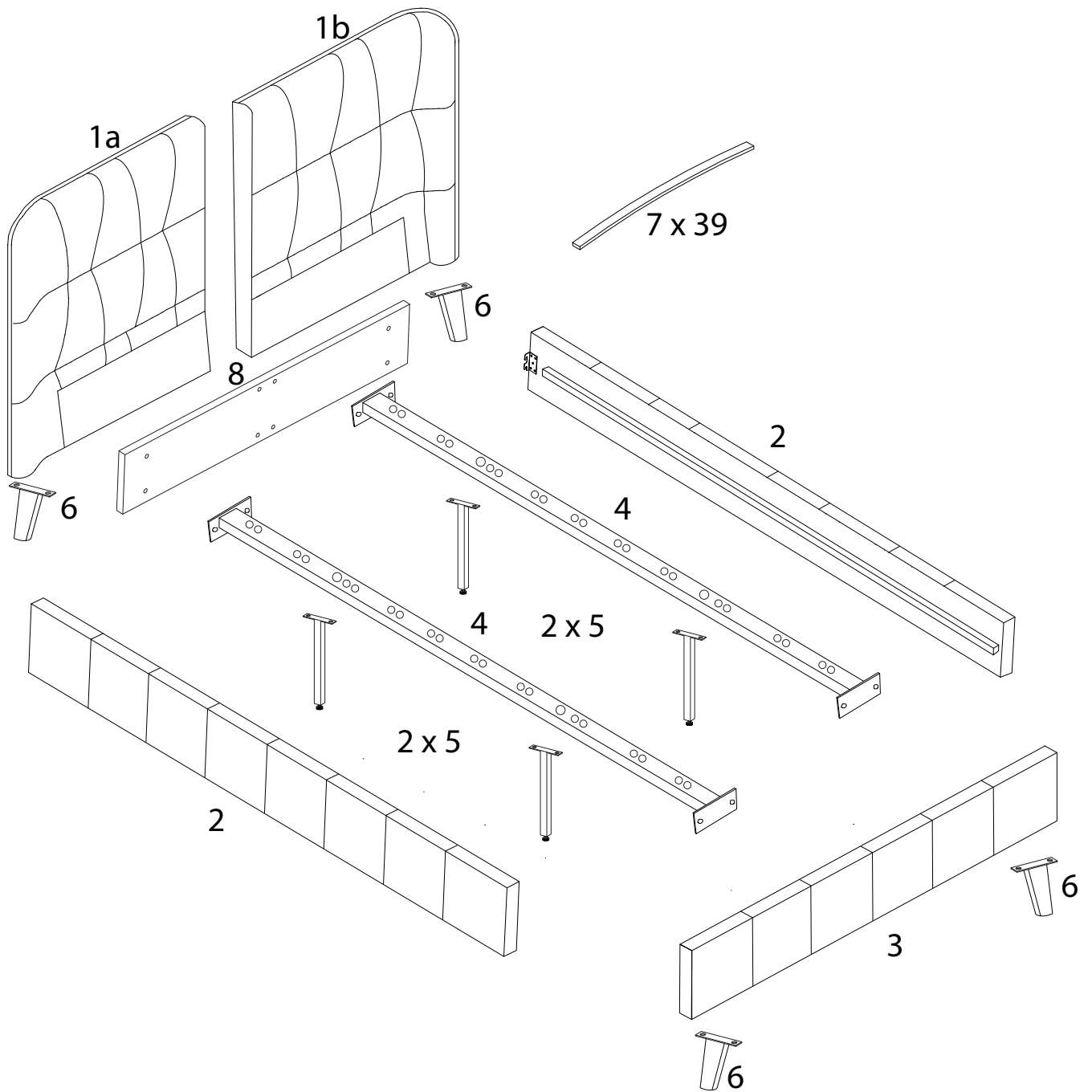
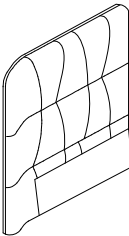
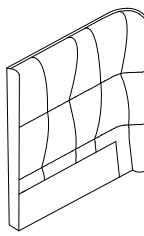
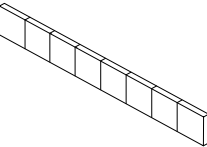
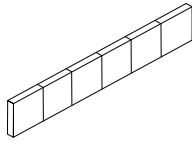
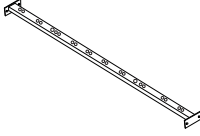
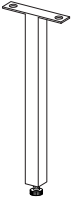
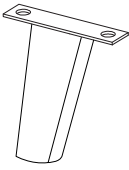
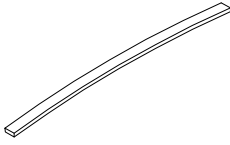
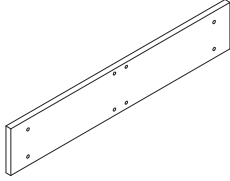
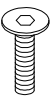
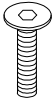
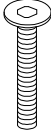
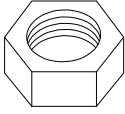
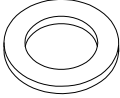


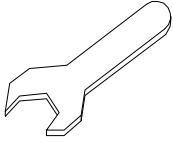
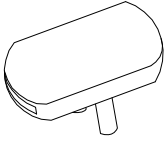
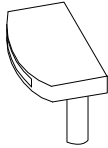
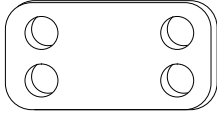

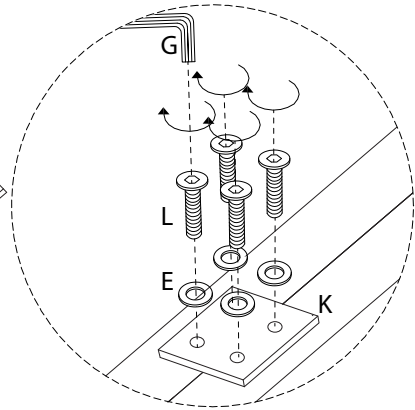
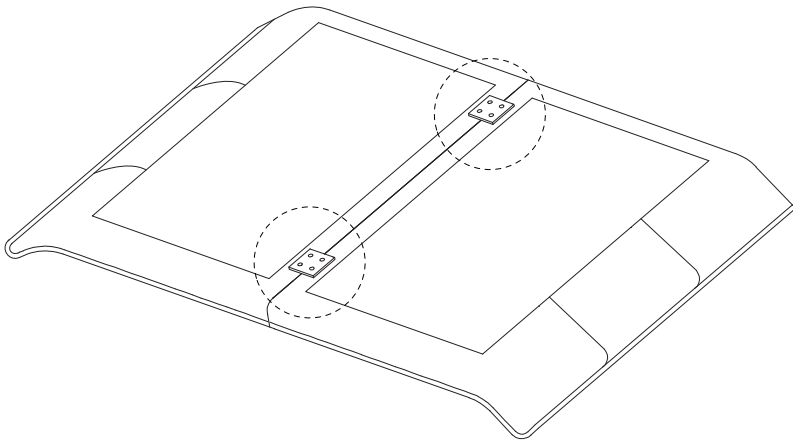
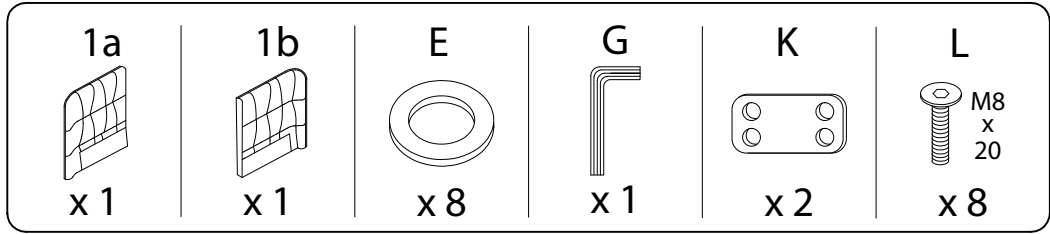

		<p>45'</p>
		
		<p>2</p>



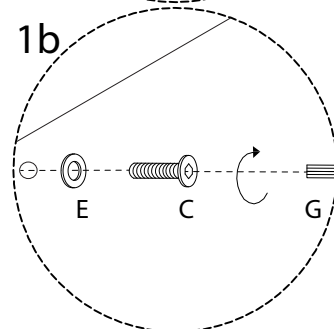
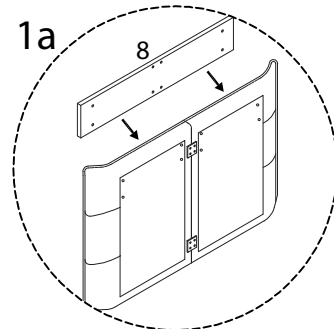
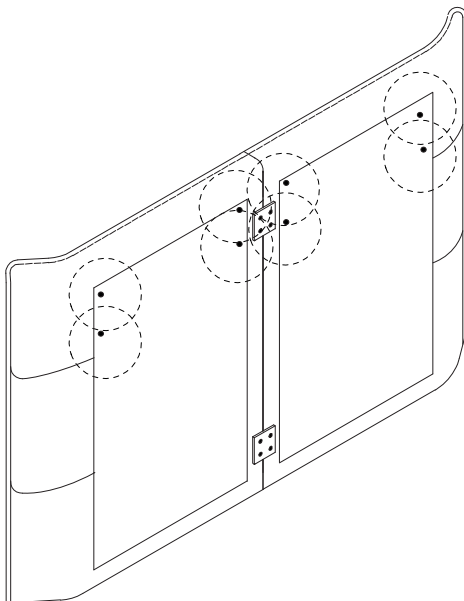
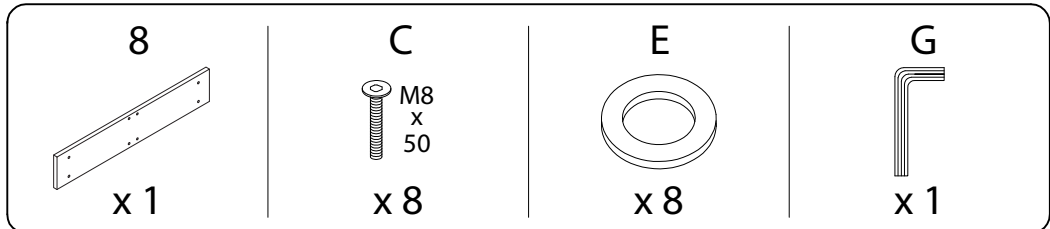
<p>1a</p>  <p>x 1</p>	<p>1b</p>  <p>x 1</p>	<p>2</p>  <p>x 2</p>	<p>3</p>  <p>x 1</p>	<p>4</p>  <p>x 2</p>
--	--	---	--	---

<p>5</p>  <p>x 4</p>	<p>6</p>  <p>x 4</p>	<p>7</p>  <p>x 39</p>	<p>8</p>  <p>x 1</p>
<p>A</p>  <p>M8 x 25</p> <p>x 24</p>	<p>B</p>  <p>M8 x 35</p> <p>x 8</p>	<p>C</p>  <p>M8 x 50</p> <p>x 8</p>	<p>D</p>  <p>x 8</p>
<p>E</p>  <p>x 32</p>	<p>F</p>  <p>x 16</p>	<p>G</p>  <p>x 1</p>	<p>H</p>  <p>x 1</p>
<p>I</p>  <p>x 26</p>	<p>J</p>  <p>x 26</p>	<p>K</p>  <p>x 2</p>	<p>L</p>  <p>M8 x 20</p> <p>x 8</p>

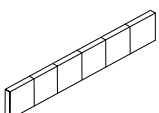


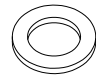
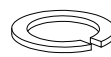
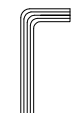
1

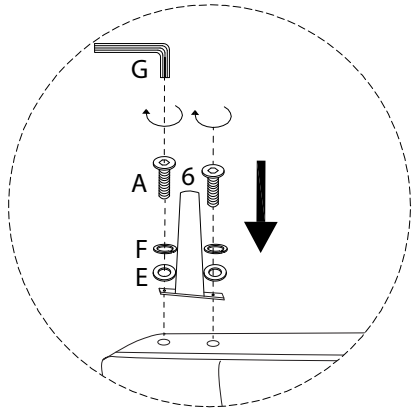
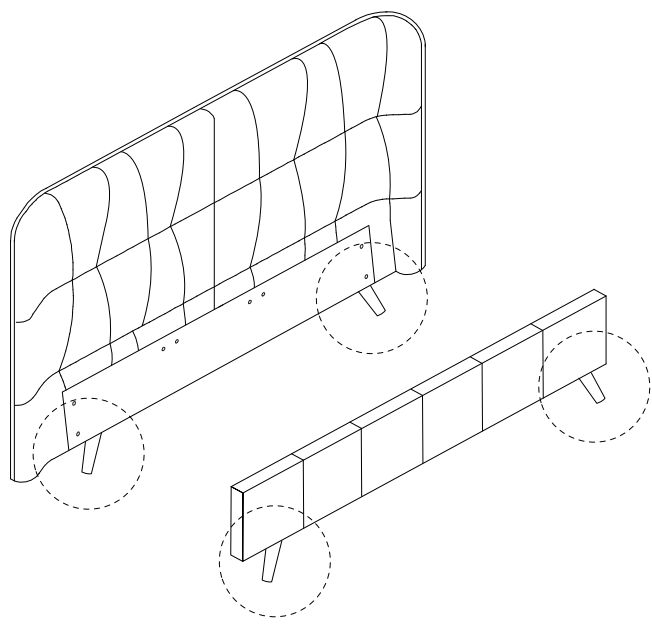


2

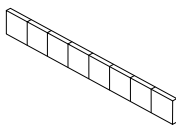

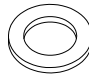
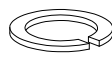
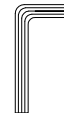


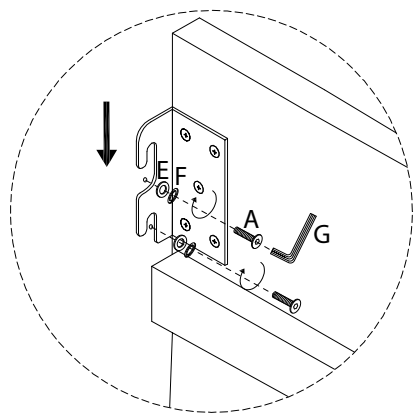
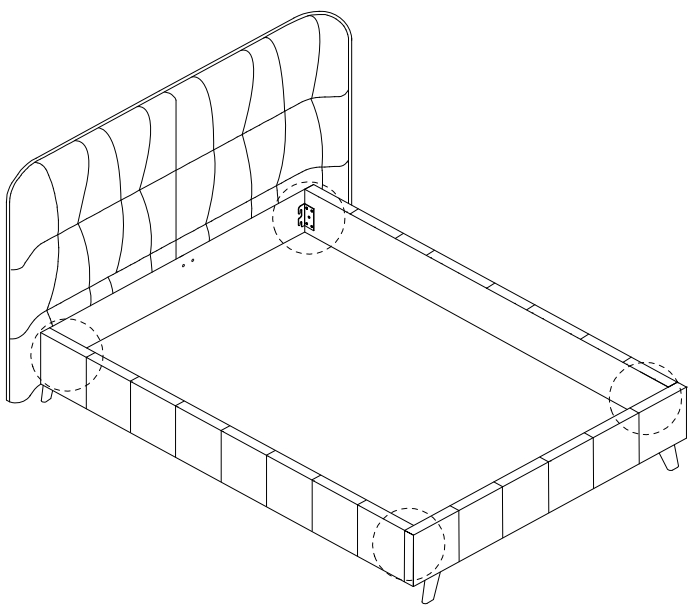
3

3  x 1	6  x 4	A  M8 x 25 x 8	E  x 8	F  x 8	G  x 1
---	---	---	--	---	---

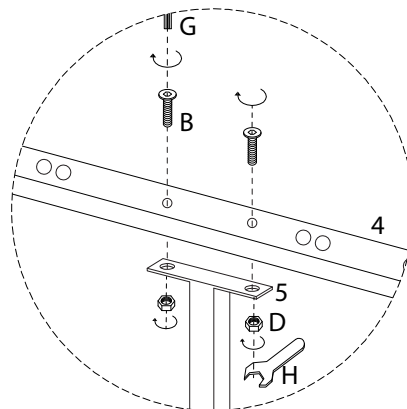
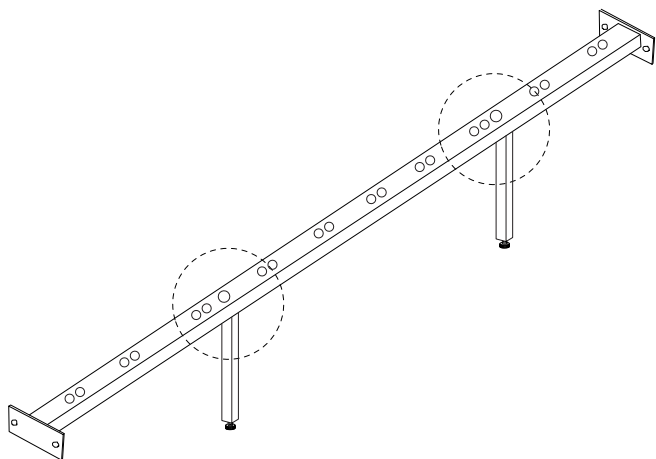
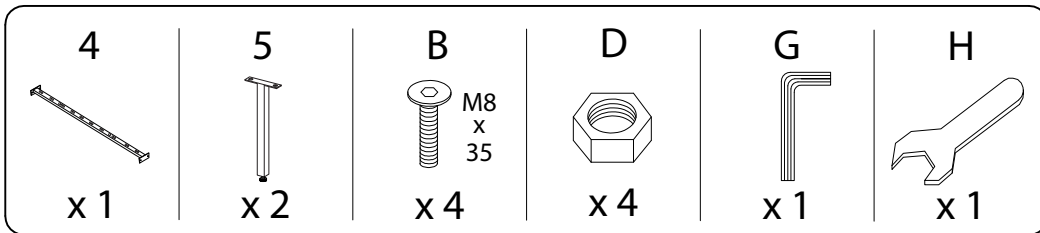


4

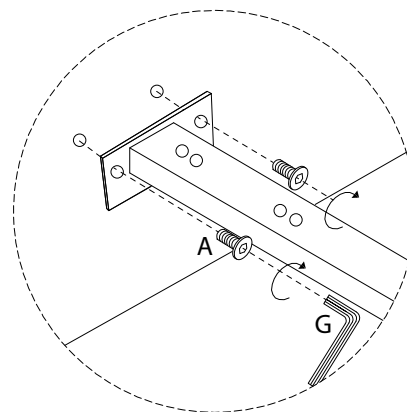
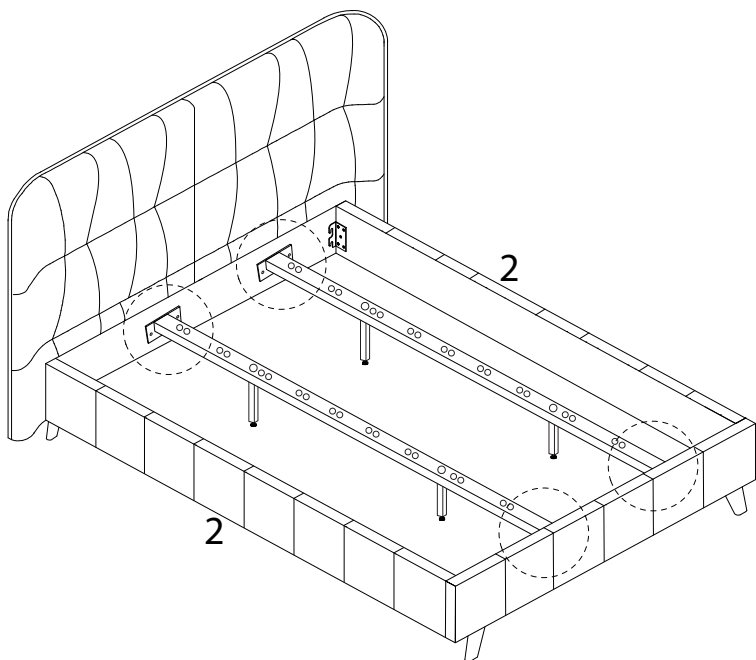
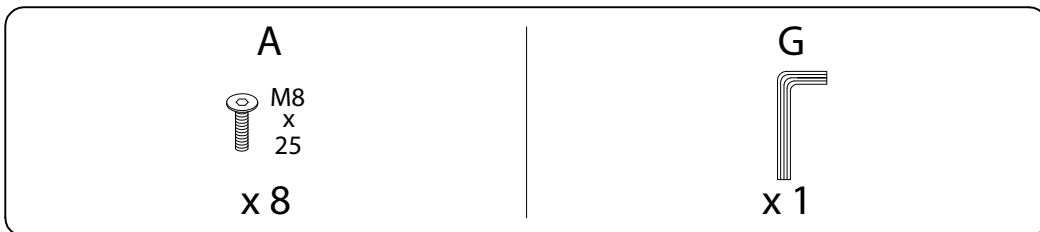
2  x 2	A  M8 x 25 x 8	E  x 8	F  x 8	G  x 1
---	---	---	---	---



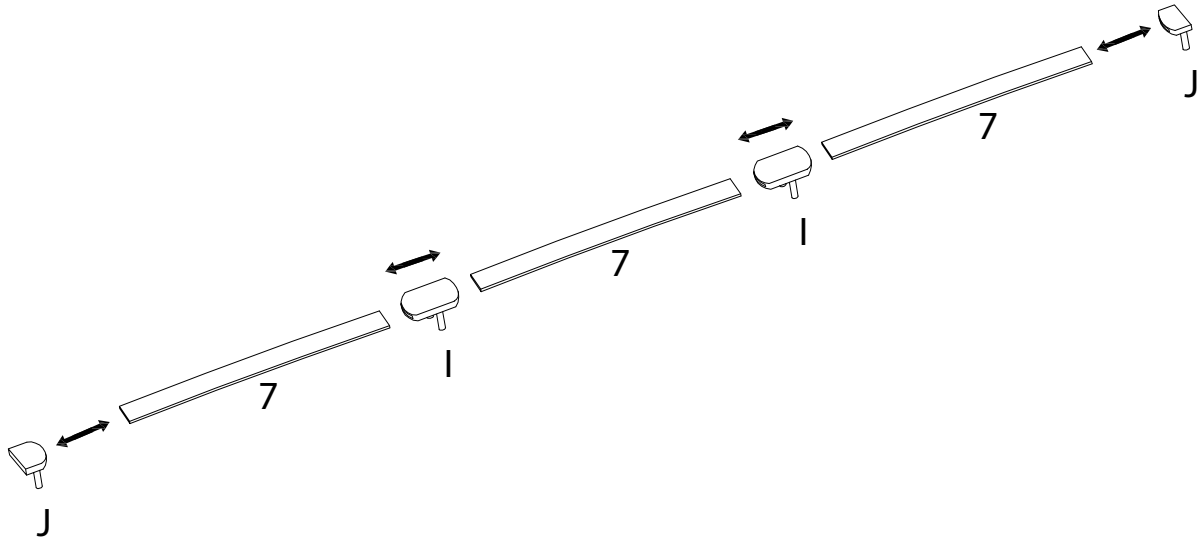
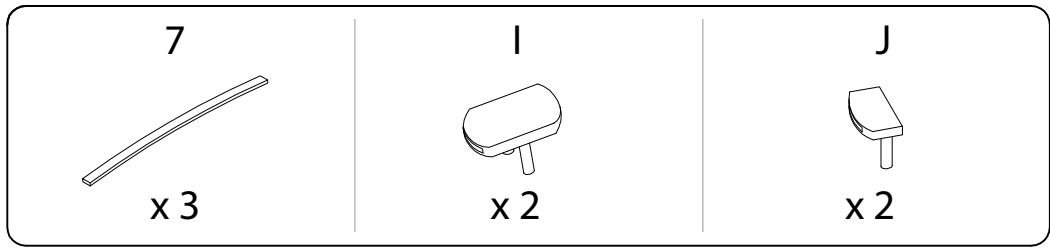
5 x 2



6



7 x 13



8 x 13

