

Assembly Instructions

Caution: You must read this Assembly Instructions before you proceed.

Please look underneath seat panel for hardware packs

RECLINING ADIRONDACK

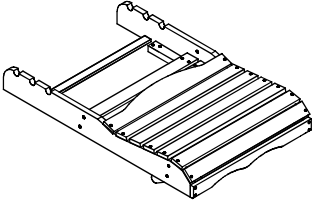
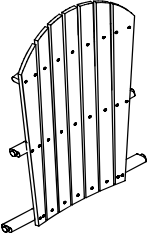

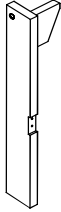
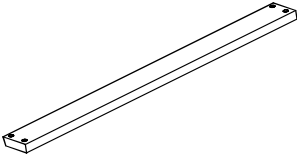
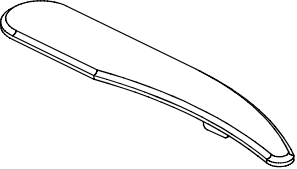
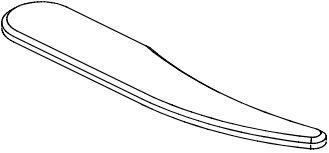




CAUTION : This Adirondack is NOT a TOY.

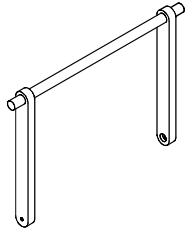
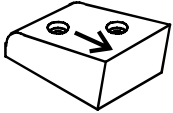
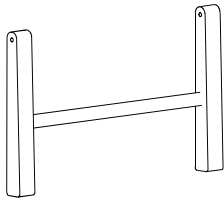
Keep your child / children at bay during the assembly process.

For moving the Reclining Adirondack and to prevent damage to the Reclining Adirondack, two adults are needed to execute this action.

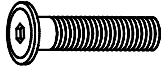

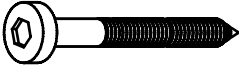


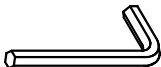
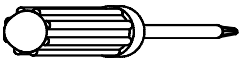



Parts List

Label	Picture	Description	QTY
A		Seat Panel with Footrest	1
B		Backrest	1
C		Left Front Leg	1
D		Right Front Leg	1
E		Support Bar of Front Leg	1
F		Left Armrest	1
G		Right Armrest	1
H		Support Bar of Left Armrest	1
I		Support Bar of Right Armrest	1

Parts List

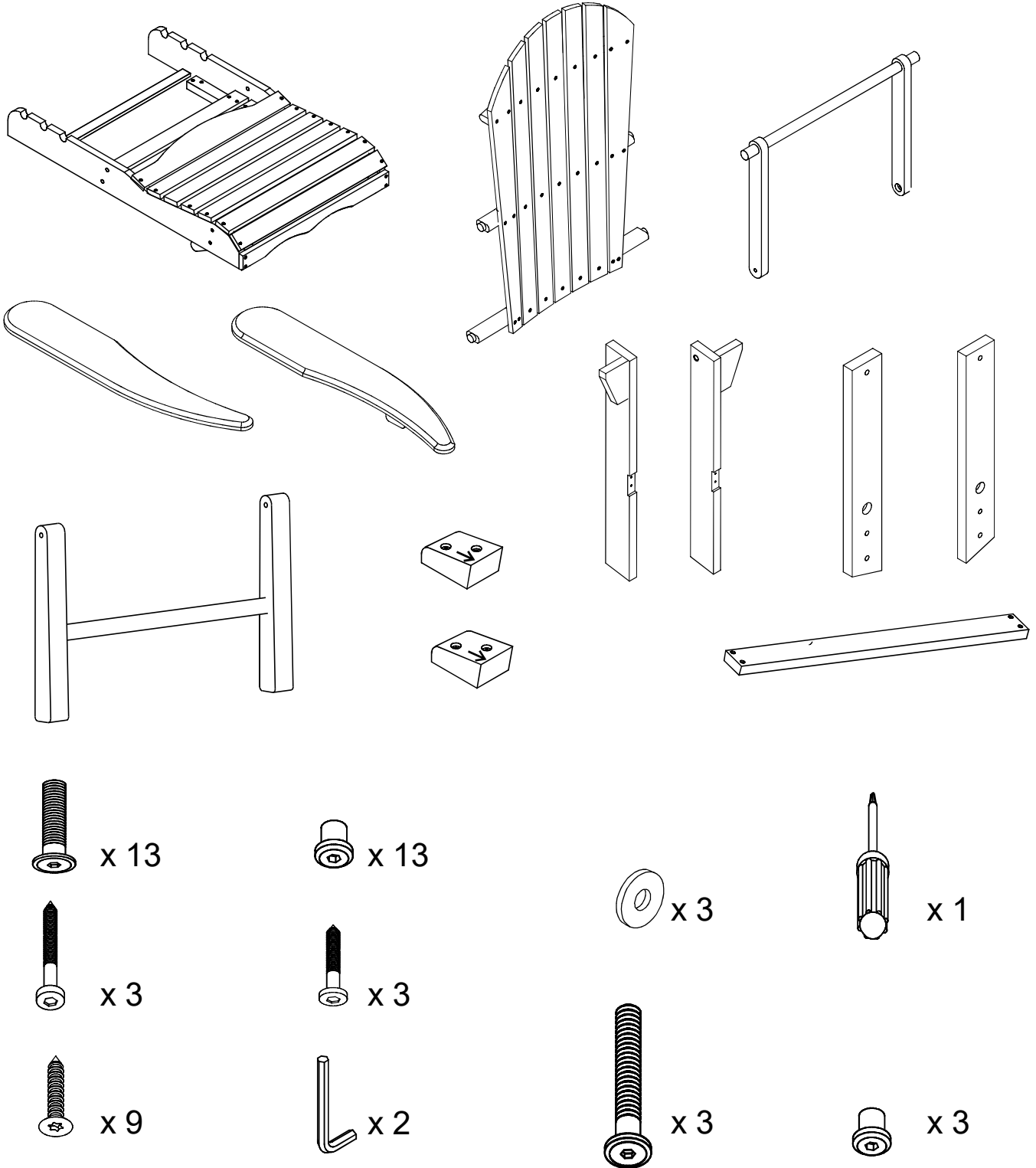
Label	Picture	Description	QTY
J		Recliner	1
K		Pre-fixed holding bars	2
L		Leg of footrest	1

Hardware

Label	Picture	Description	QTY
①		Bolt (M8x35)	13
②		Sleeve Nut (M8x13)	13
③		Long Screw (M7x70)	3
④		Short Screw (M7x40)	3
⑤		Screw (M4x30) (Use with Screwdriver)	9
⑥		Allen Wrench	2
⑦		Screwdriver	Not provided
⑧		Plastic Washer (Ø6.5/Ø18x2mm)	3
⑨		Bolt (M6x55mm)	3
⑩		Sleeve Nut (M6x13)	3

Assembly Preparation

Before Beginning Assembly:



- Read instructions, cover to cover-



- Have 2 adults on hand for assembly-



- Do not assemble on flooring or carpet-



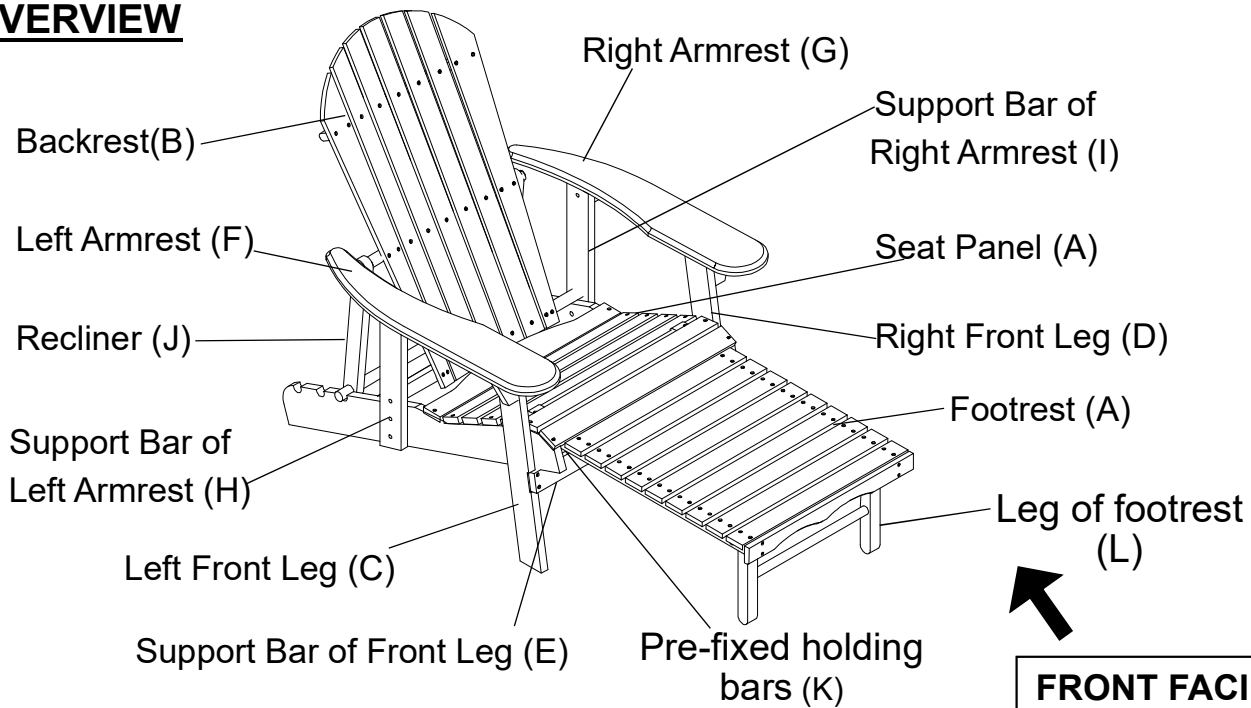
- Assemble on a clean non-marring surface (packing foam)-



- Save all packaging until finished-

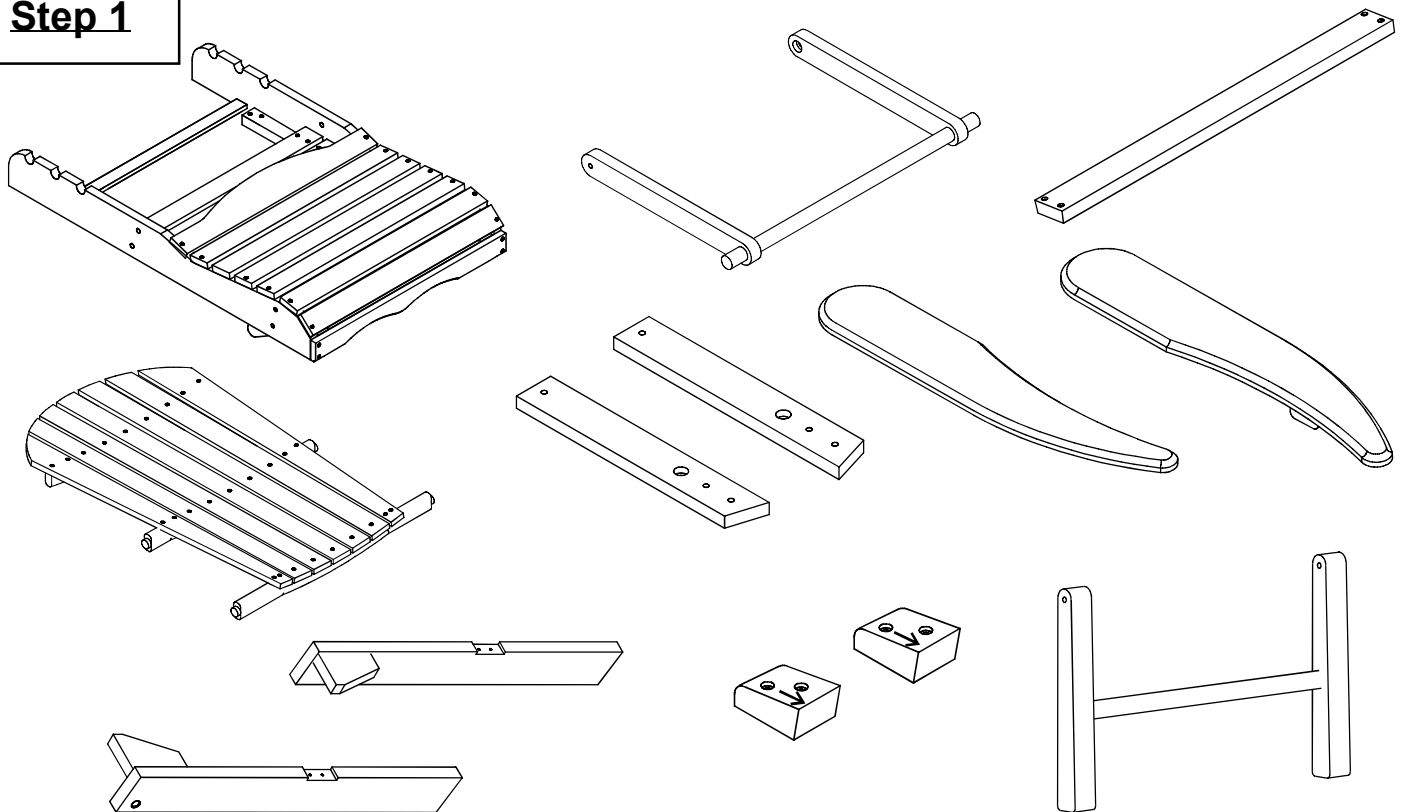
Assembly Steps

OVERVIEW



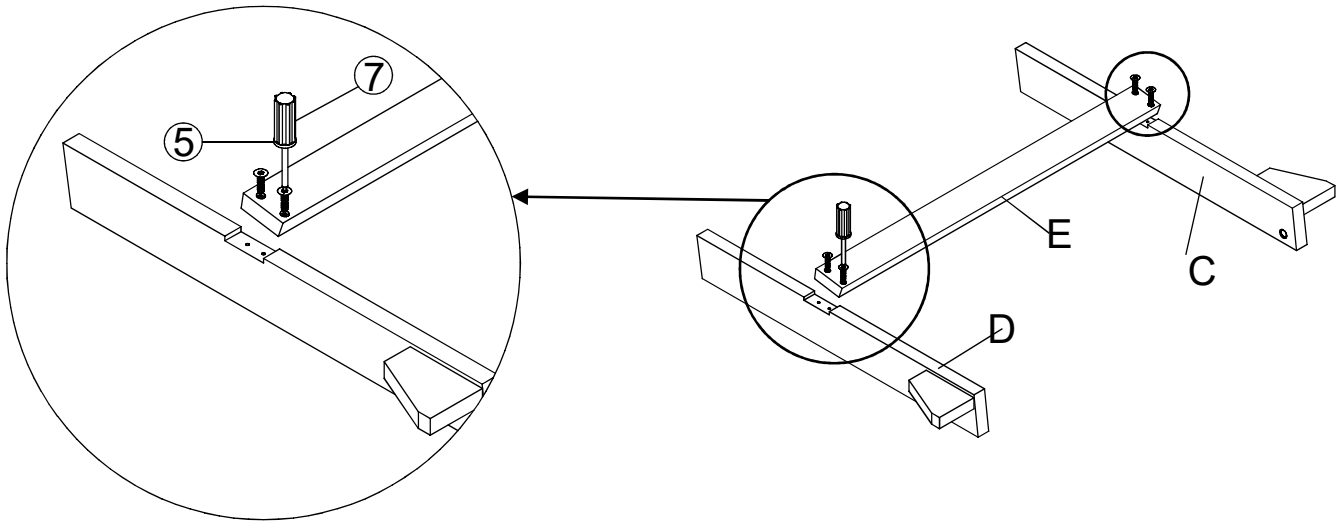
This Reclining Adirondack has multiple parts and may require up to 30 minutes to assemble. To give you an overview of the Reclining Adirondack parts, the above picture is to help you put the various parts into perspective. Please read through the instructions below to familiarise yourself with the parts and steps before assembly.

Step 1



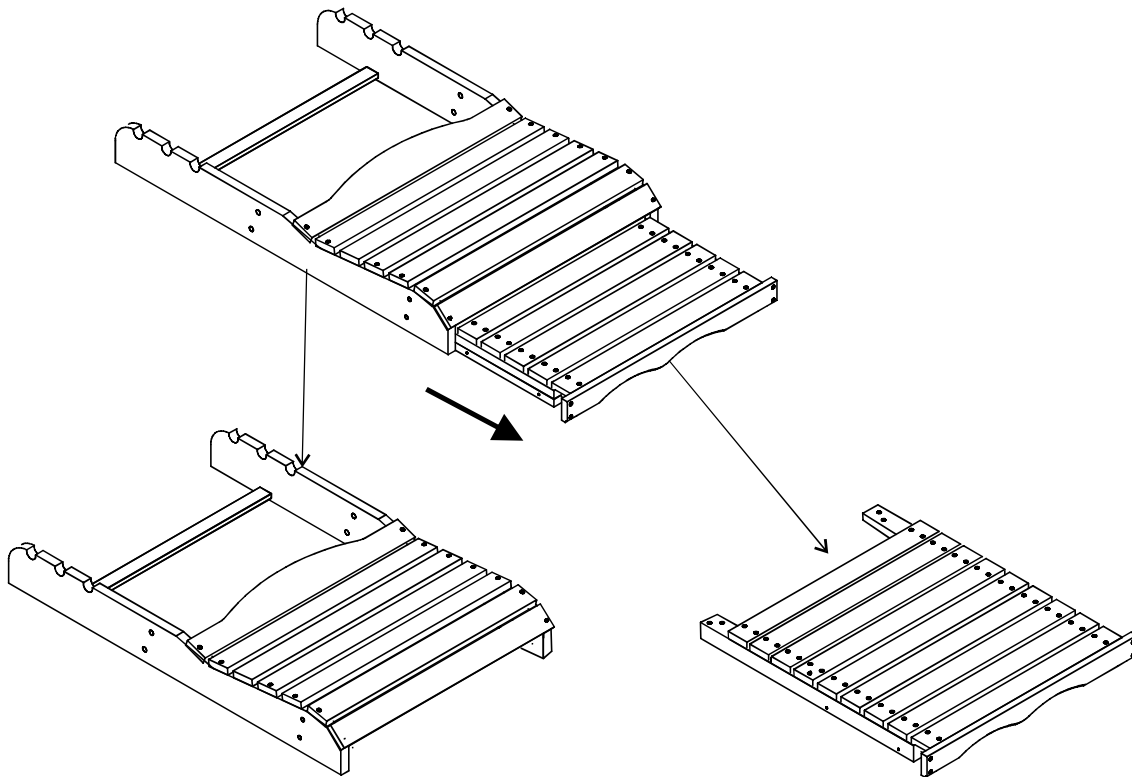
Unpack and place all parts on a clean, non-marring surface.

Step 2



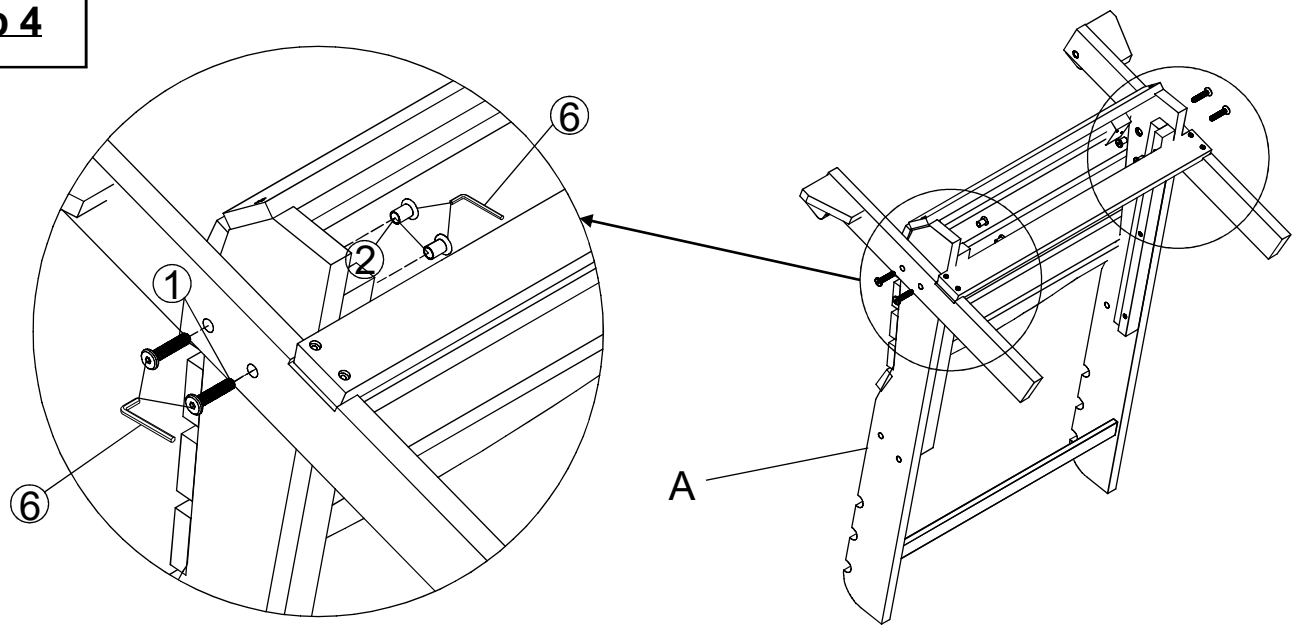
Attach Support Bar of Front Leg(E) to Left Front Leg(C) and Right Front Leg(D) using Screws(5) with Screwdriver(7).

Step 3



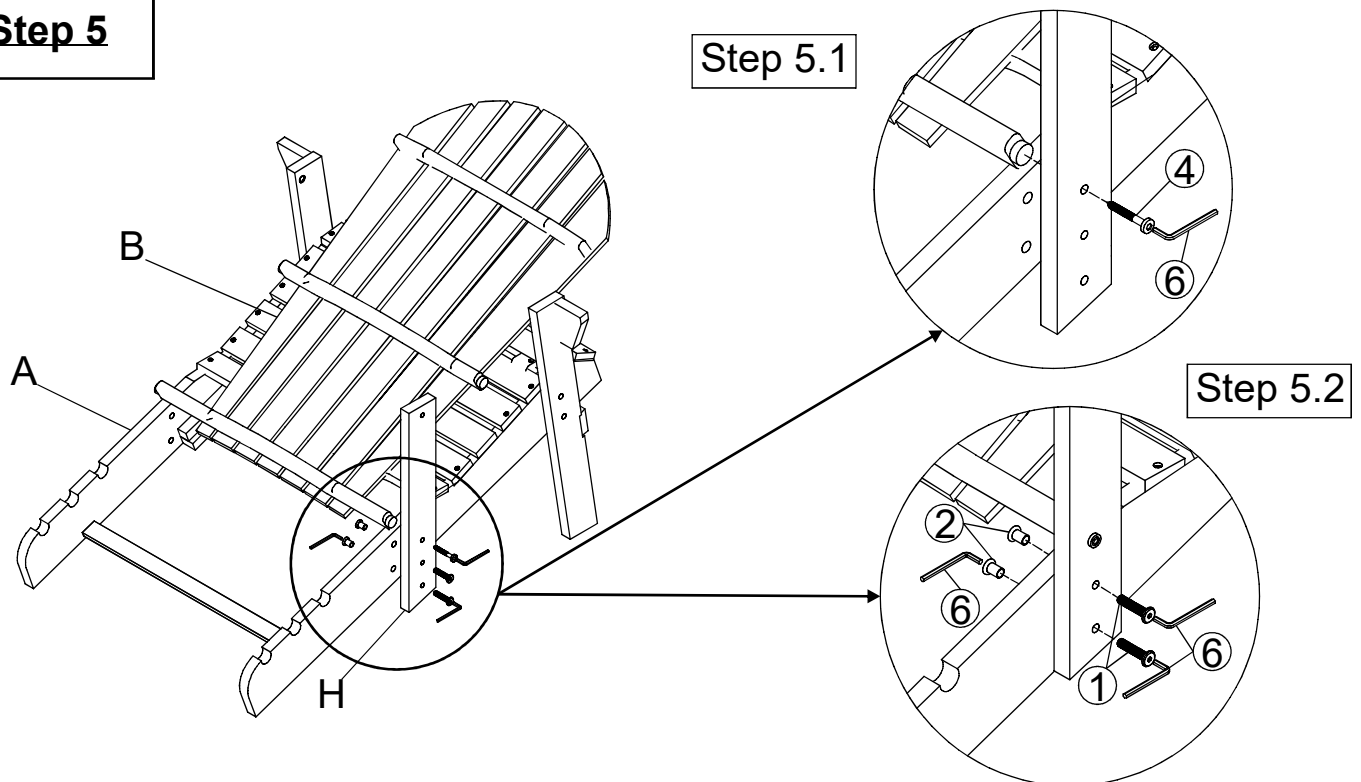
Pull the Footrest out of the Seat Panel as indicated by the arrow .

Step 4



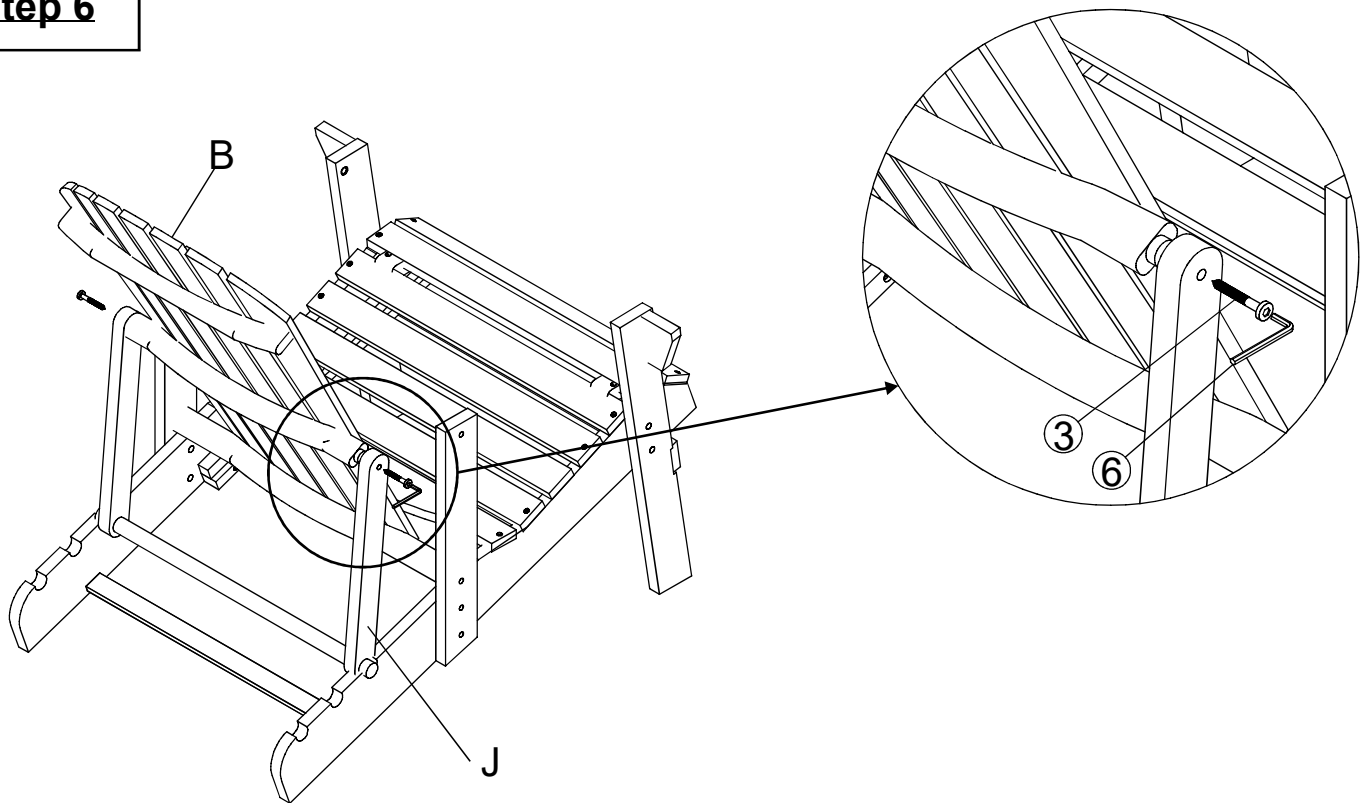
Stand the Seat Panel(A) vertically as shown in the picture.
With the assistance of an adult helper, secure Front Leg Frame from Step 2 to Seat Panel(A) using Bolts(①) and Sleeve Nuts (②) with Allen Wrench(⑥).
Do not fully tighten the Bolts.

Step 5



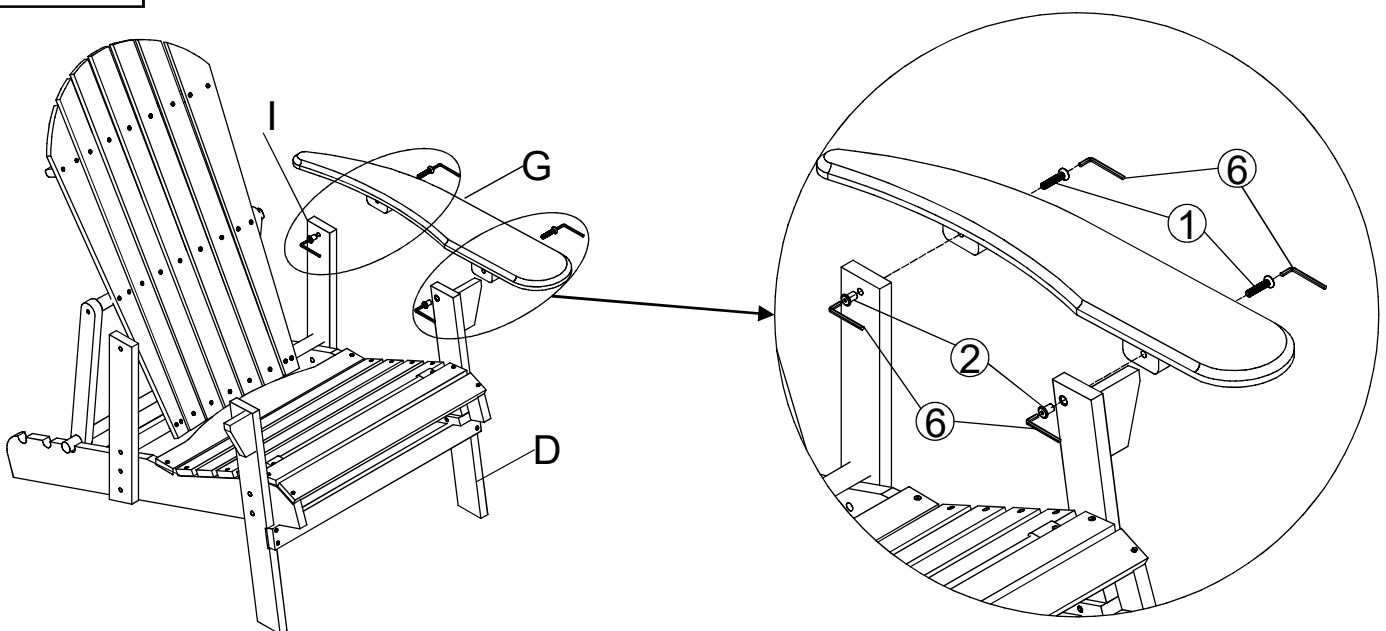
Place the Backrest(B) onto Seat Panel(A) as shown in the picture.
5.1) Secure Support Bar of Left Armrest(H) to Backrest(B) using Short Screw(④) with Allen Wrench (⑥).
5.2) Secure Support Bar of Left Armrest(H) to Seat Panel(A) using Bolts(①) and Sleeve Nuts(②) with Allen Wrench(⑥).
Do not fully tighten Bolts and Screws.
Repeat the same process with the Support Bar of Right Armrest(I).

Step 6



Position housing of Recliner(J) into oval mortise of Backrest(B).
Secure Recliner(J) to Backrest(B) using Long Screws(③) with Allen Wrench(⑥)
Do not fully tighten the Screws.

Step 7

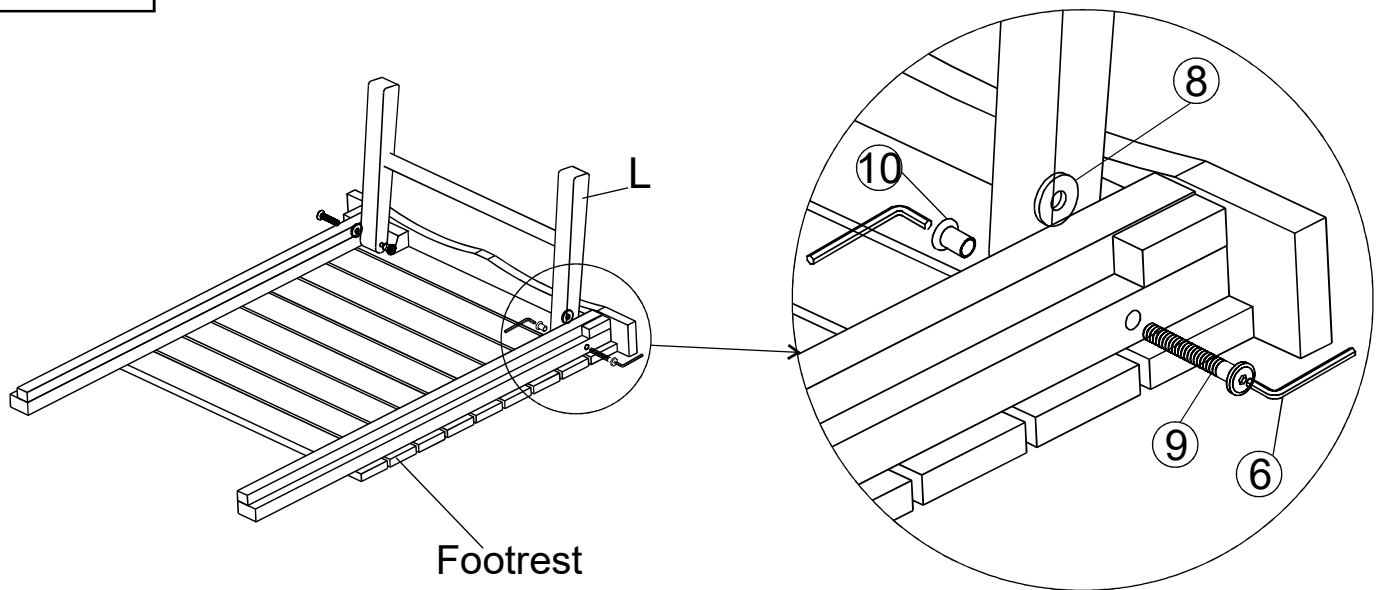


Attach Right Armrest(G) to Right Front Leg(D) and Support Bar of Right Armrest(I)
using Bolts(①) and Sleeve Nuts(②) with Allen Wrench(⑥).

Do not fully tighten the Bolts.

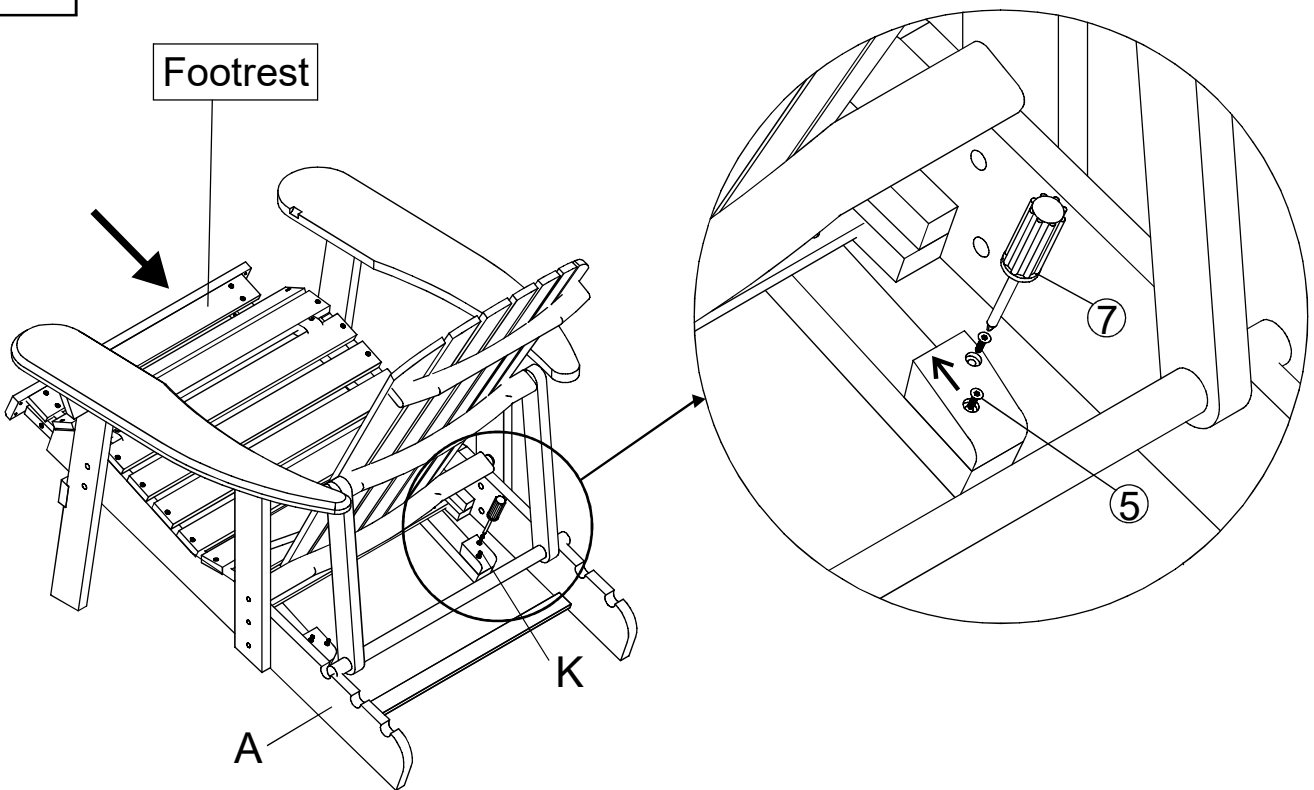
Repeat the same process with Left Armrest(F).

Step 8



Attach Leg of footrest (L) to Footrest using Plastic Washer (⑧), Bolt (⑨), Sleeve Nut (⑩) and Allen Wrench (⑥)

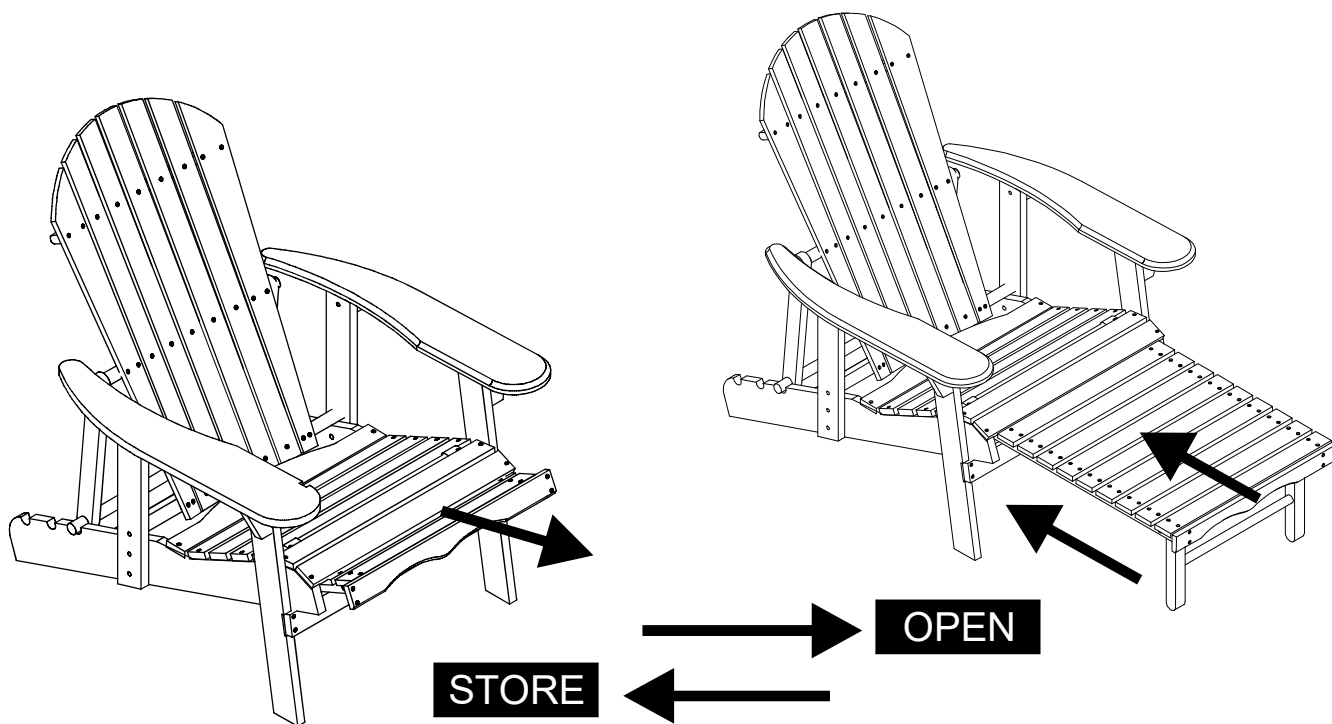
Step 9



Put the footrest back into the Seat Panel (A).
Attach Pre-fixed holding bars (K) as indicated by the arrow with Footrest using Screw (⑤) and Screwdriver (⑦).

In a sequential manner, tighten all Bolts and Screws at all joints until fully locked into position.

Step 10



Your Reclining Adirondack is ready for use.

















This Adirondack can only be used on a flat, level surface.



The Footrest can be stored under the Seat Panel when not in use.

To Open, by hand, pull the Footrest outward and unfold the Footrest's Leg

To Store, by hand, fold the Footrest's Leg and push Footrest into under the Seat Panel

Care & Maintenance

-   ● Do not put hot items directly on furniture surface
 -   ● Do not clean furniture with harsh cleansers or polish.
 -   ● To obtain the longest lifespan of your outdoor products, minimizing exposure to direct sunlight is recommended.
 -   ● Children should not climb or jump on the furniture.
 -   ● Do not write on furniture without a padded barrier to protect the surface.
 -   ● To obtain the longest lifespan of your outdoor products, avoid extended and lengthy exposure to rain, snow, and direct sunshine. Whenever possible cover the product and /or place under patio or awnings.
 -   ● Not for commercial use. For residential use only .
 -   ● Stains may be removed with mild soap solution and damp cloth.
-

-   ● Dust and pick-up spills using a clean, non-colored, lint-free cloth .