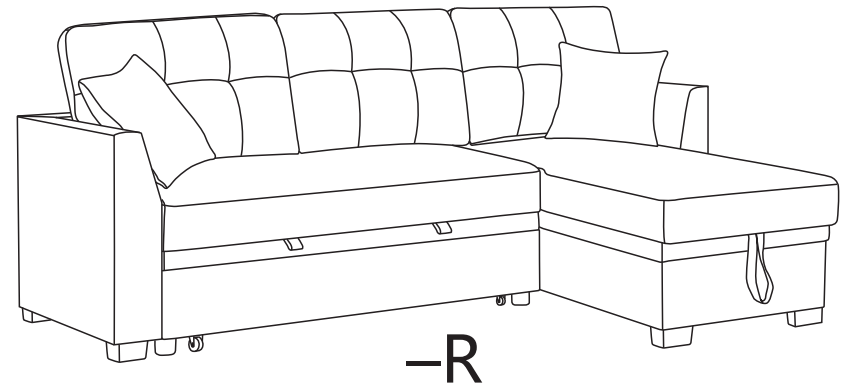
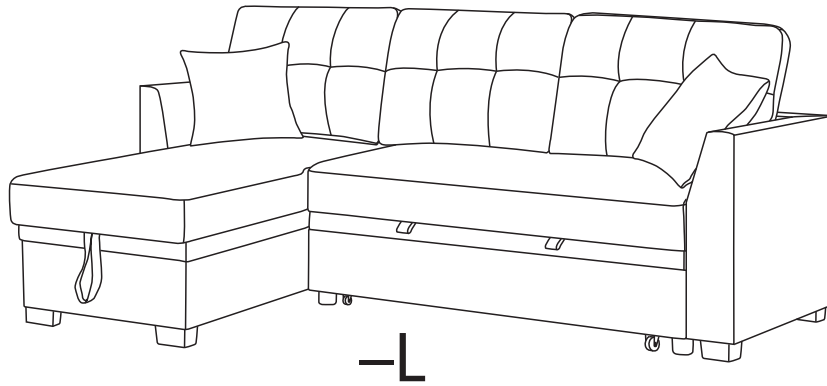
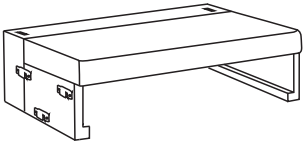
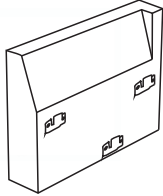
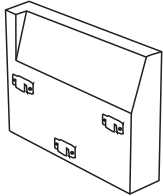
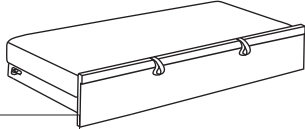

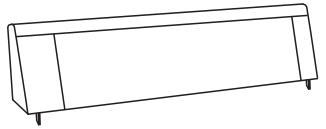
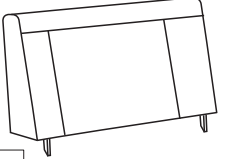
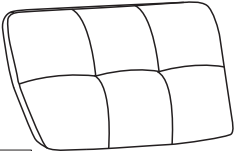
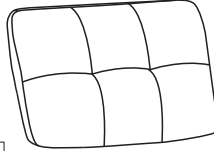
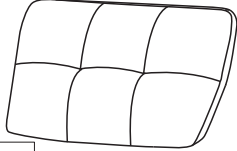
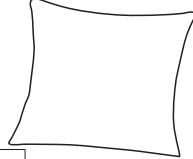


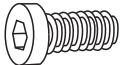

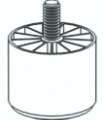
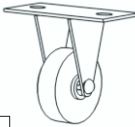
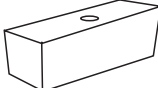


# ASSEMBLY INSTRUCTION



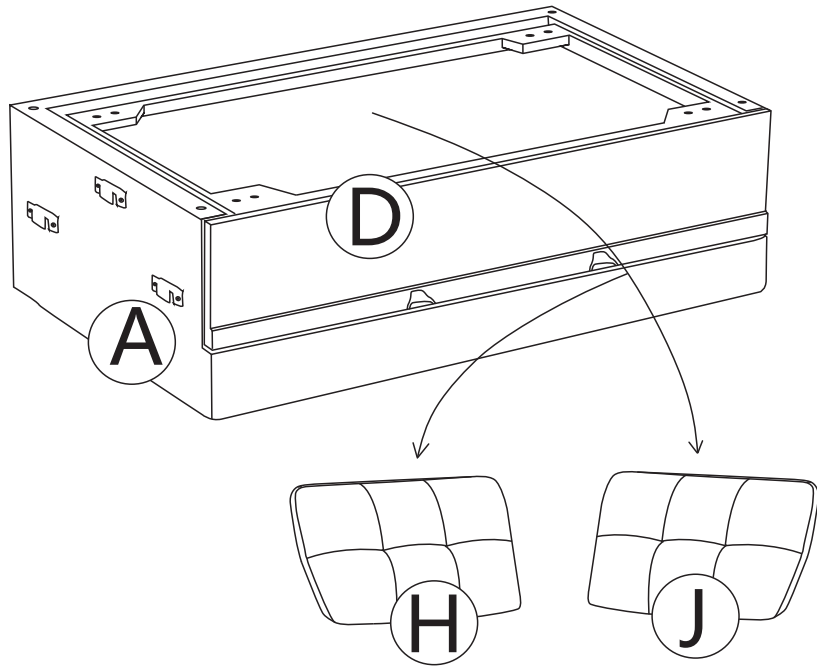
## PARTS LIST

					
<b>A</b>	<b>B</b>	<b>C</b>	<b>D</b>	<b>E</b>	<b>F</b>
X1	X1	X1	X1	X1	X1
					
<b>G</b>	<b>H</b>	<b>I</b>	<b>J</b>	<b>K</b>	
X1	X1	X1	X1	X2	

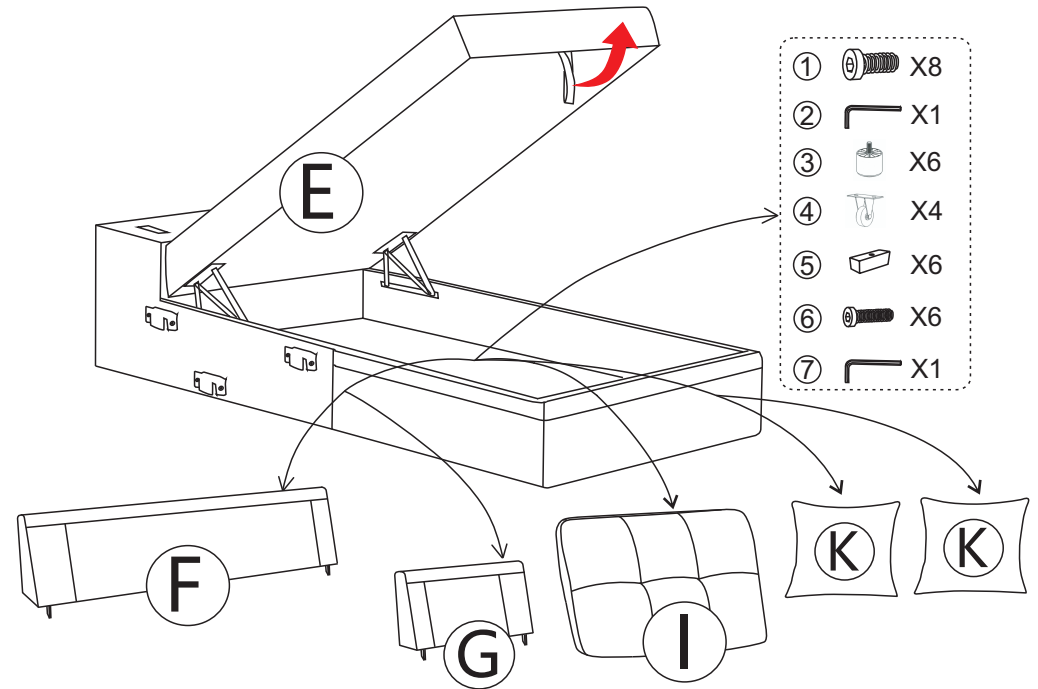
## HARDWARE LIST

						
<b>1</b>	<b>2</b>	<b>3</b>	<b>4</b>	<b>5</b>	<b>6</b>	<b>7</b>
M6X25	M4				M8X60	M5
X8	X1	X6	X4	X6	X6	X1

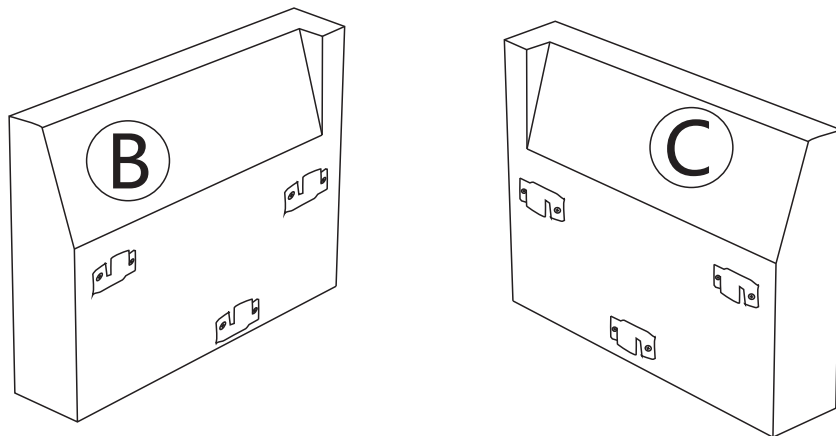
## BOX -L HARDWARE LIST



## BOX -C HARDWARE LIST



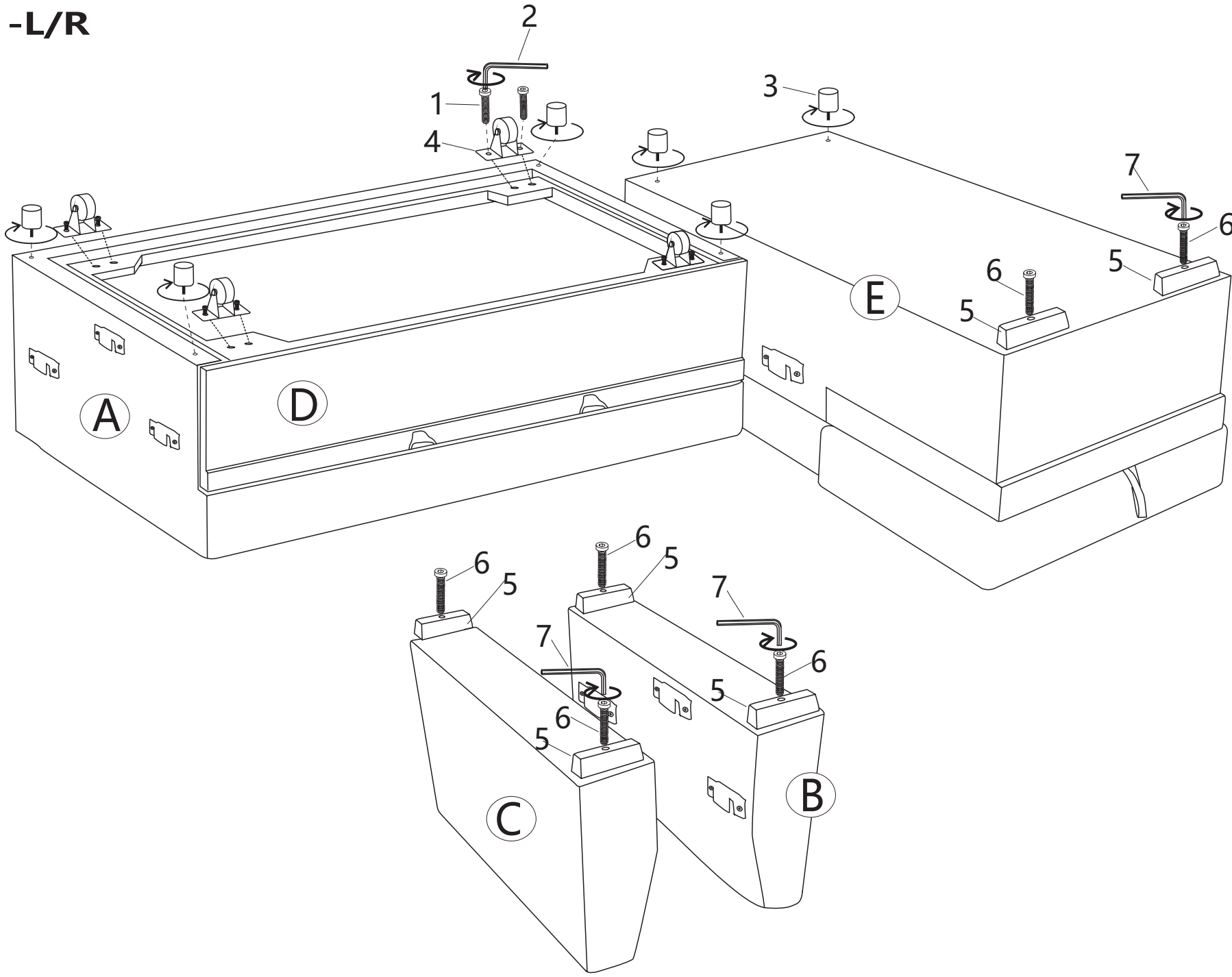
## BOX -A HARDWARE LIST



## Unpacking steps:

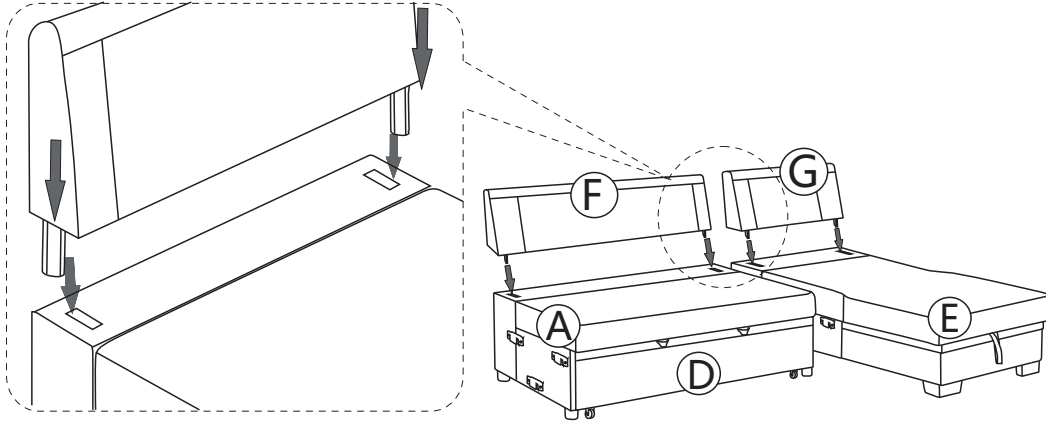
1. BOX-C
2. BOX-L
3. BOX-A

# Step1-L/R

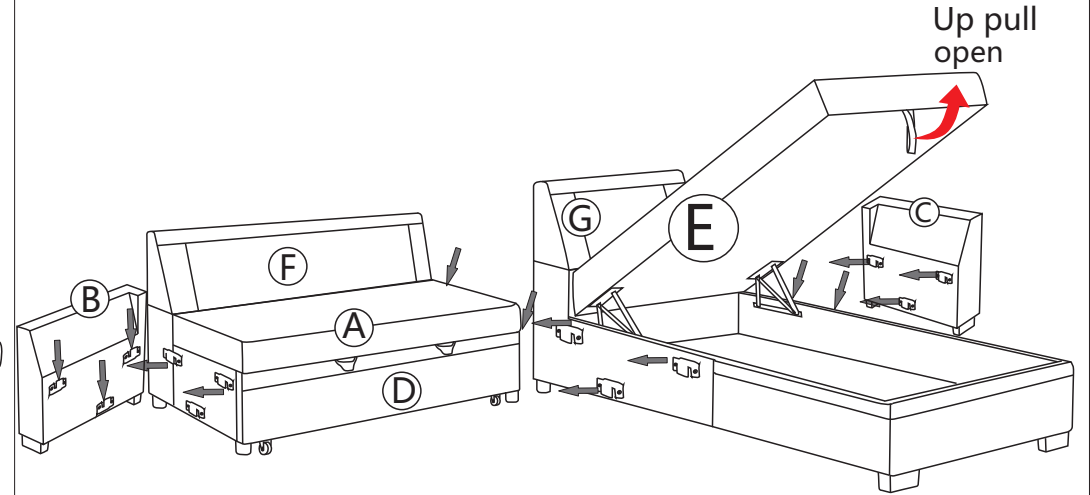


## Step2-L/R

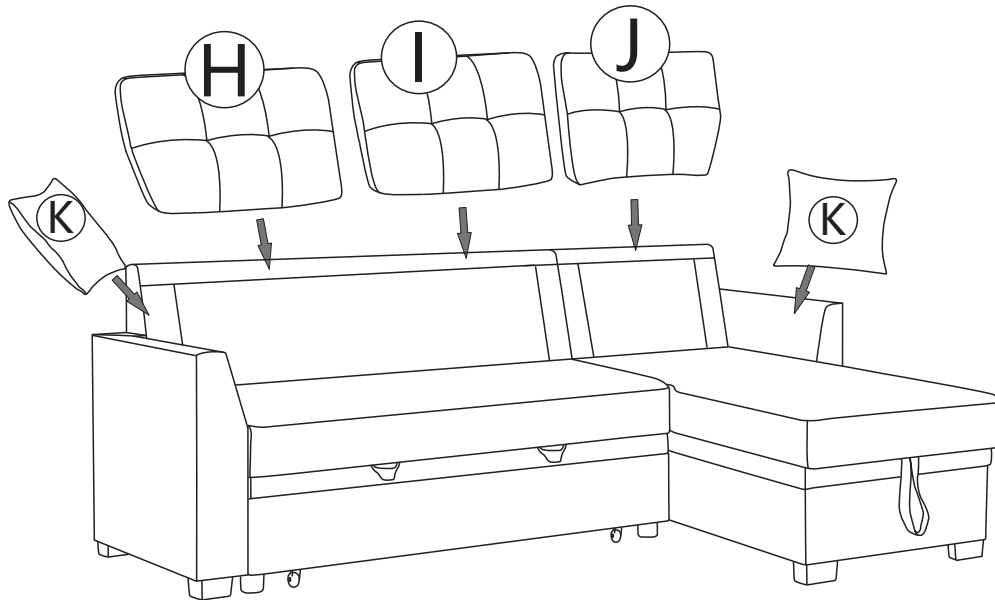
Please Make Sure Both Sides of the Backrest Make Alignment to the Slot Brackets And Inserted Down At The Same Time!



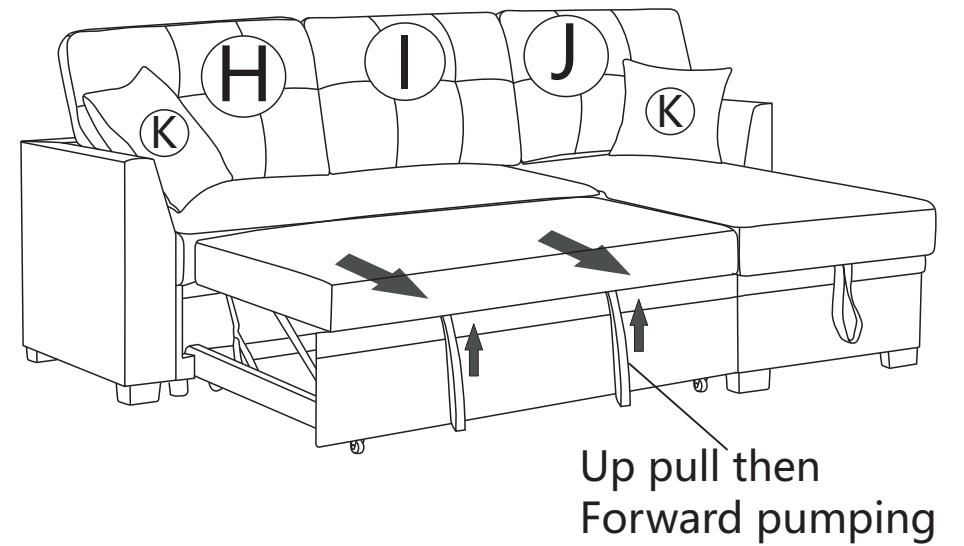
## Step3-R



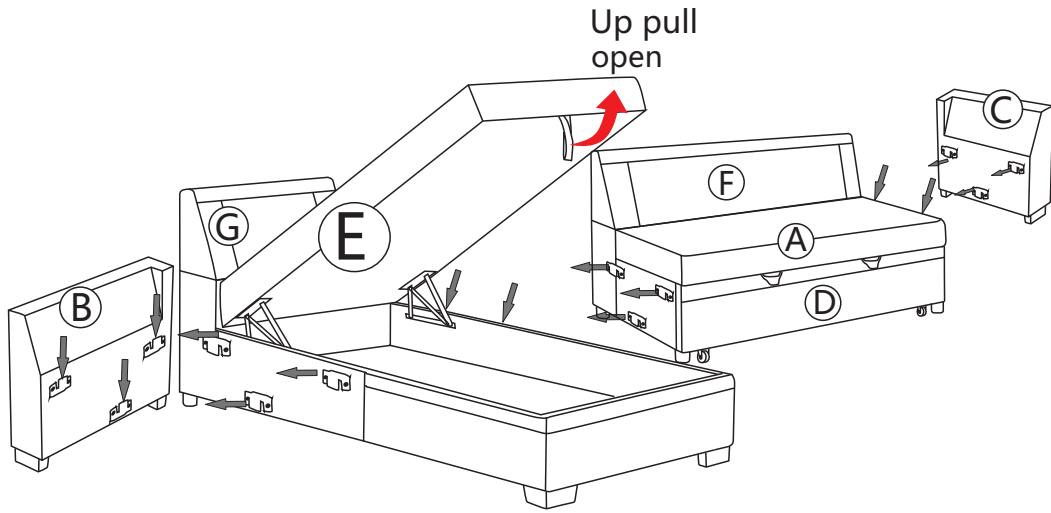
## Step4-R



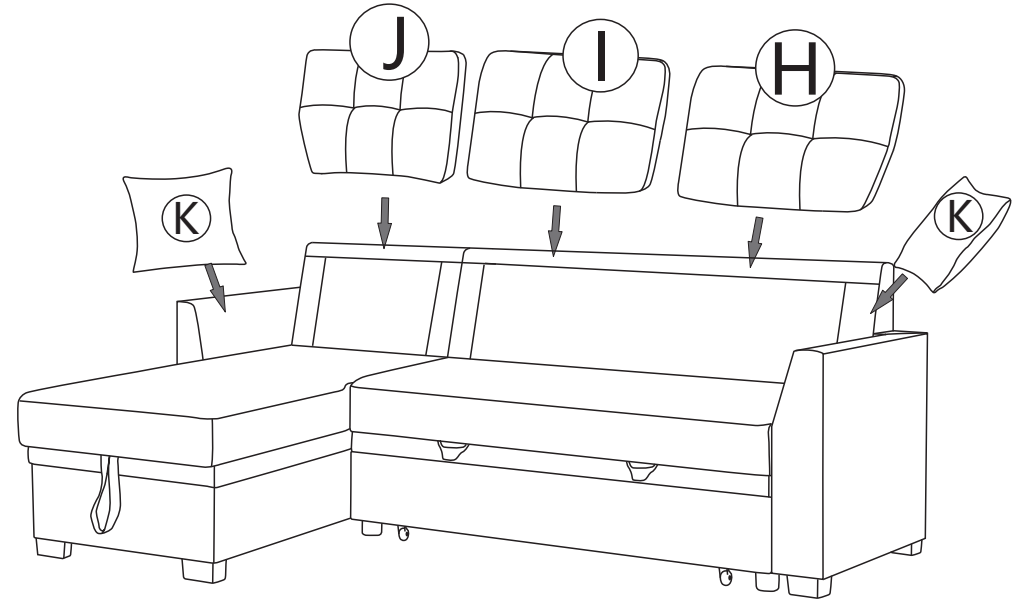
## Step5-R



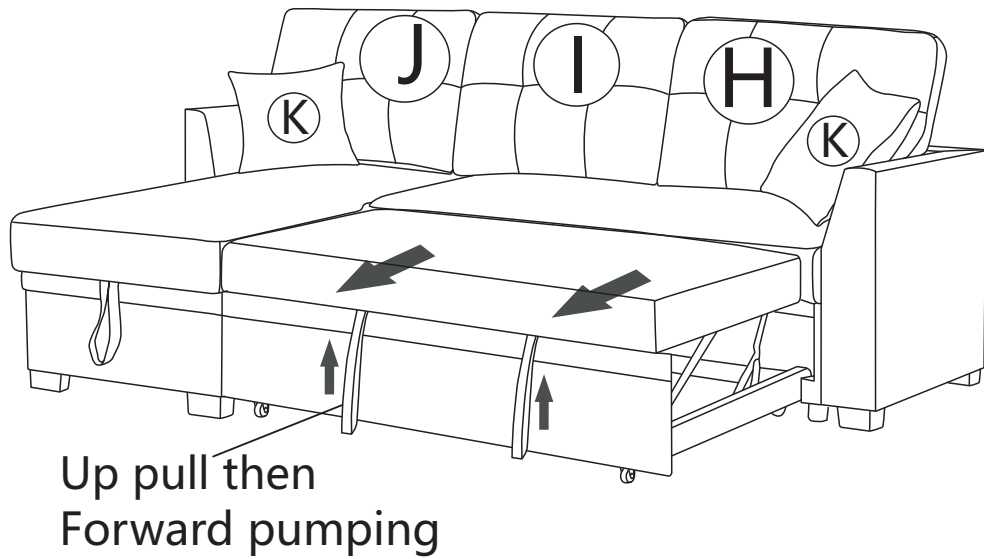
### Step3-L



### Step4-L



### Step5-L



### Step6-L

