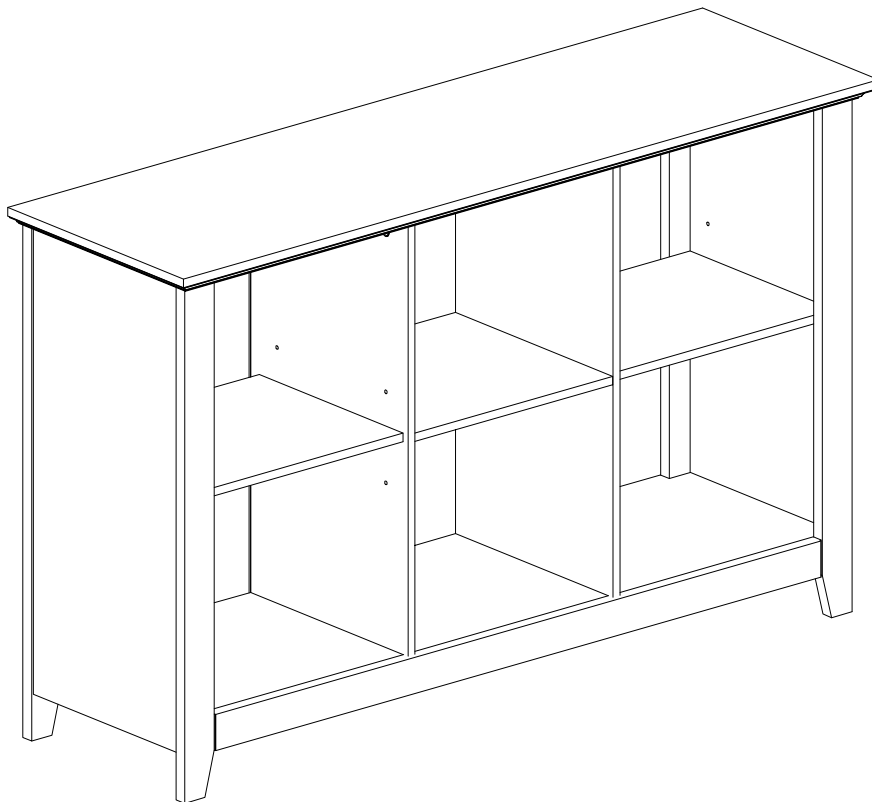


ASSEMBLY INSTRUCTIONS

Important Safety Instructions:

- Please read all instructions before beginning assembly
- Please make sure receive all the parcels to start the assembly
- For your safety and convenience, assembly by two people is recommended
- Use the parts and hardware lists to identify and separate each of the components included
- Save all packing materials until assembly is completed to avoid the accidental discarding of smaller parts or hardware



THANK YOU FOR PURCHASING

PARTS LIST

1 X1

2 X2

3 X1

4 X1

5 X1

6 X1

7 X1

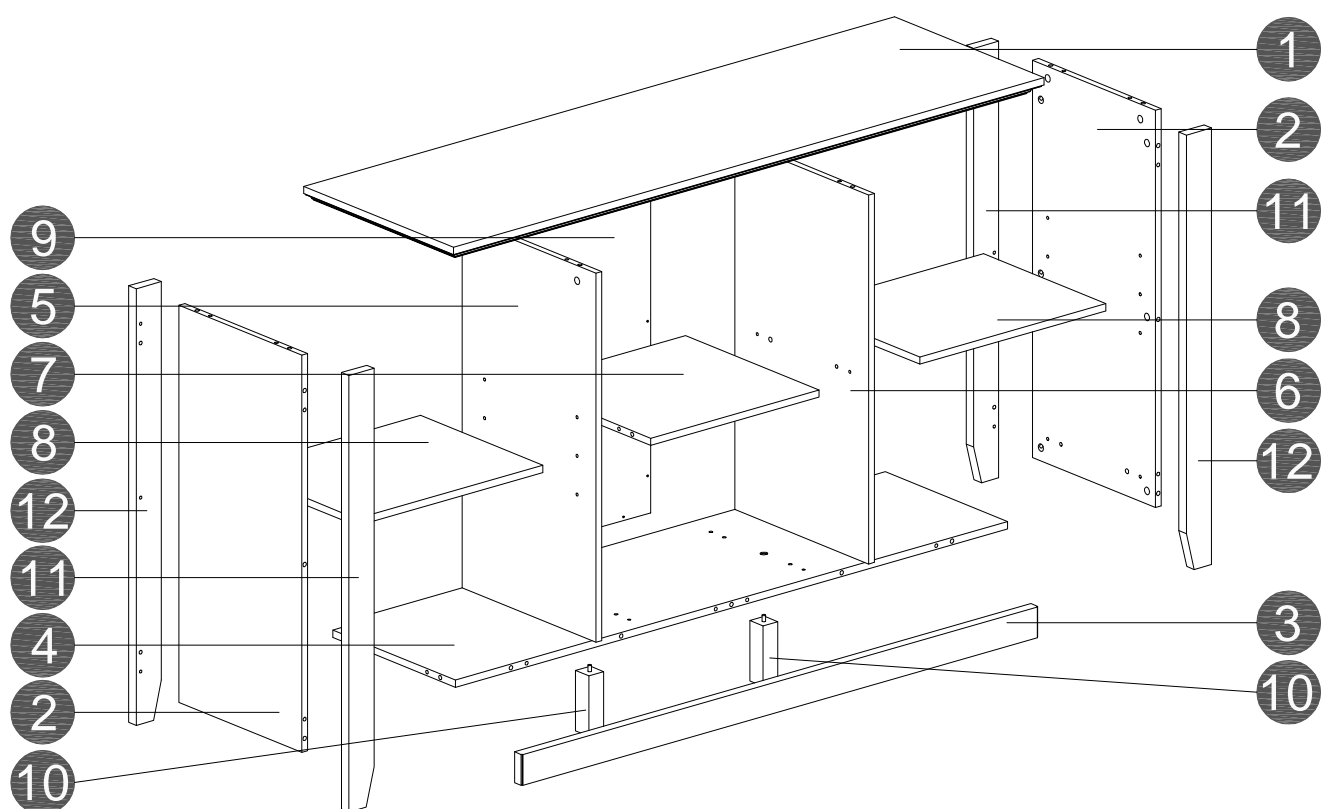
8 X2

9 X1



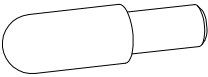

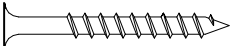

10 X2

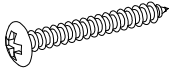

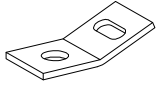


11 X2

12 X2



HARDWARE LIST

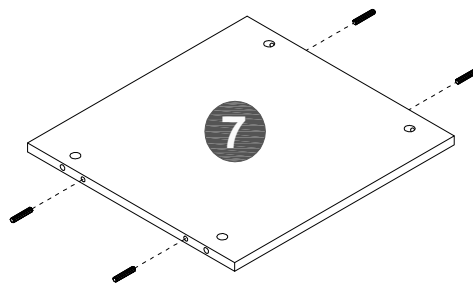
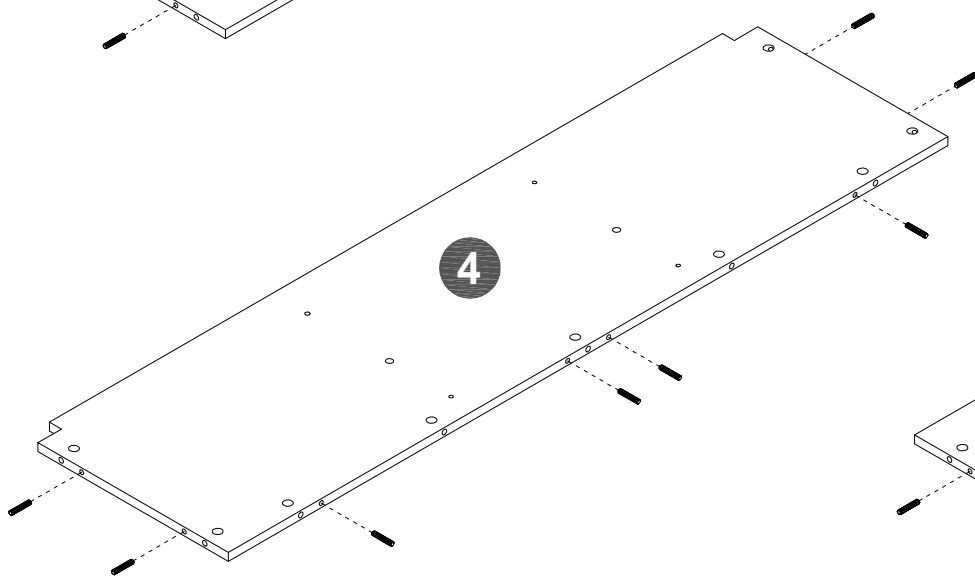
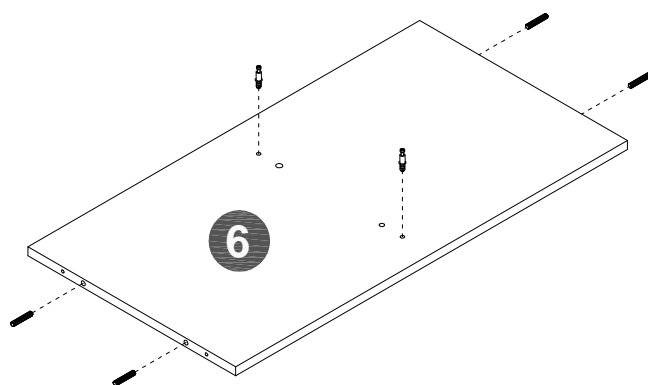
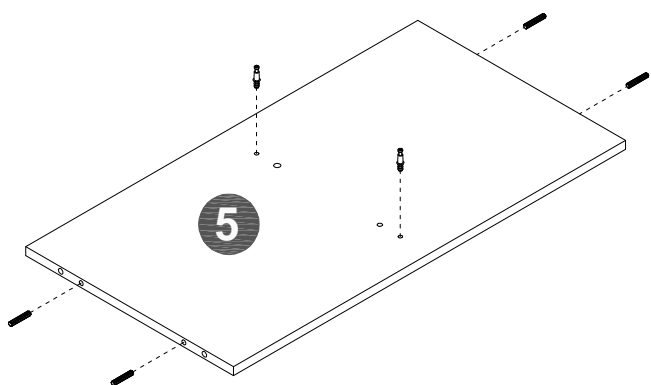
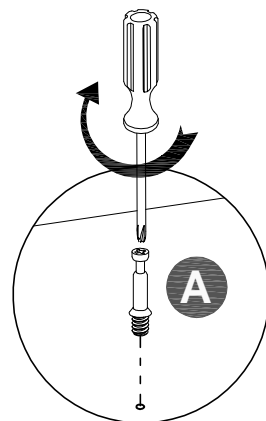
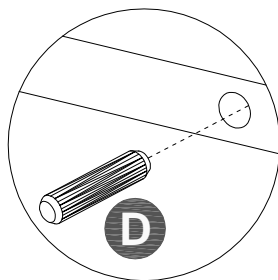
Name	Part	Qty.	Spare
A		33	1
B		33	1
C		8	
D		32	1
E	 1-1/2" Screw	4	
F	 3/4" Nail	10	1

Name	Part	Qty.	Spare
U1		1	
U2		1	
U3		2	
U4		1	
U5		1	

STEP 1

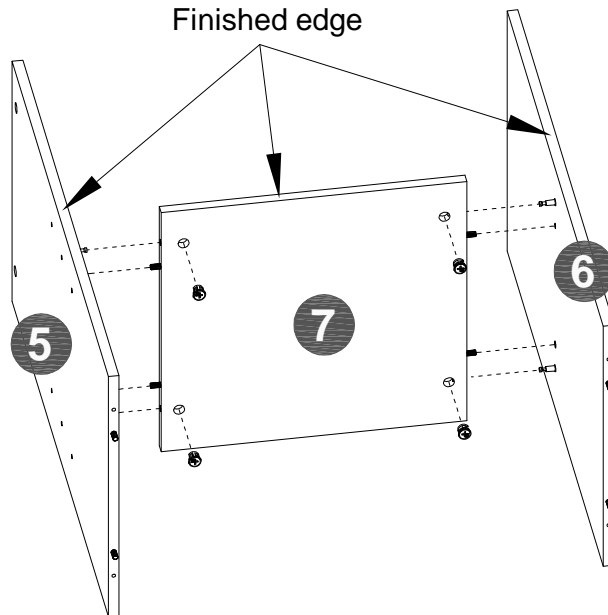
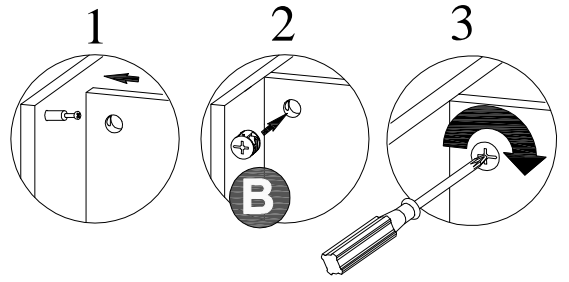
A x 4pcs 

D x 20pcs 



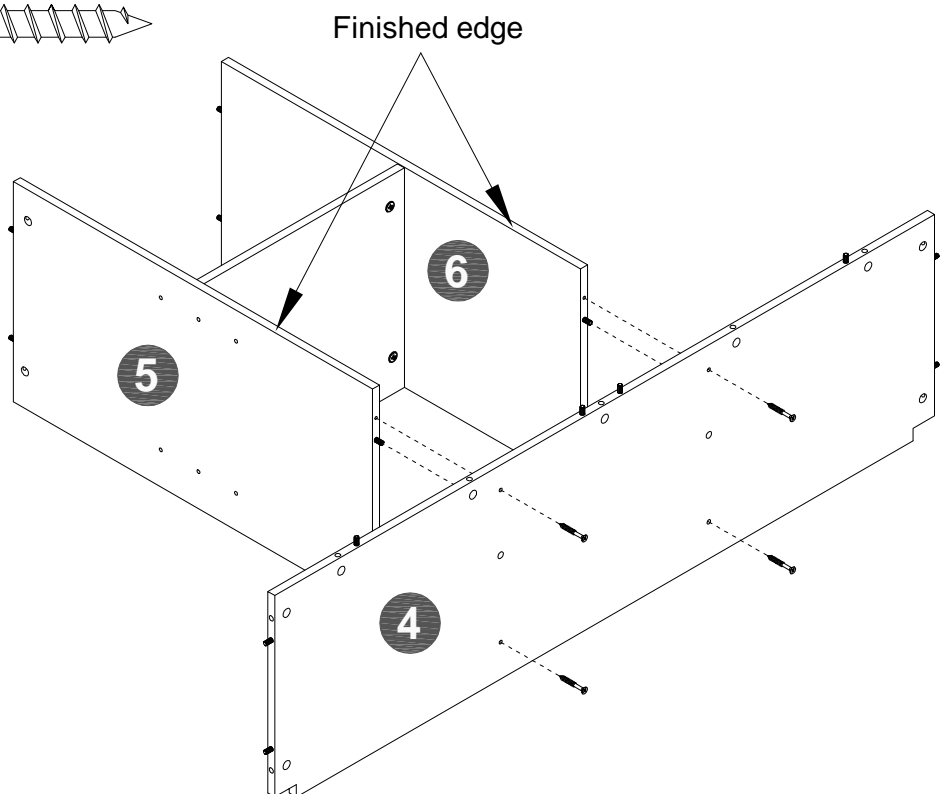
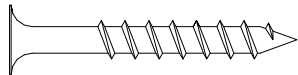
STEP 2

B x 4pcs



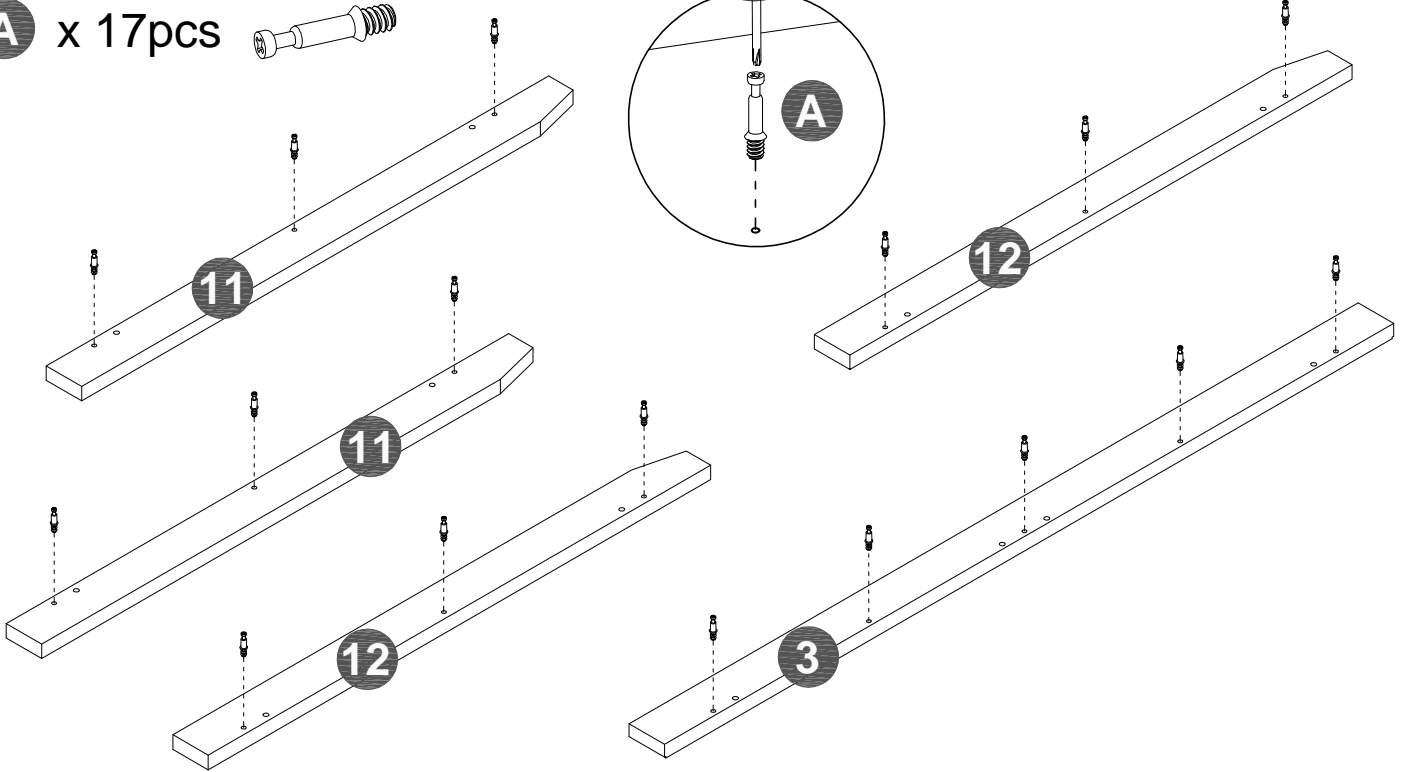
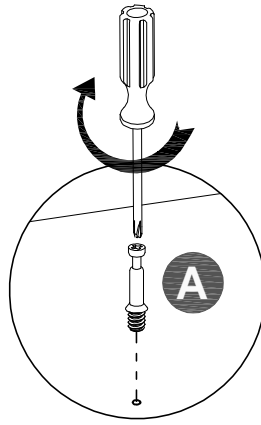
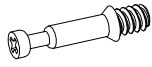
STEP 3

E x 4pcs



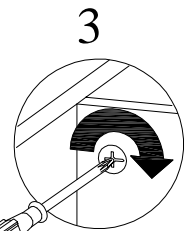
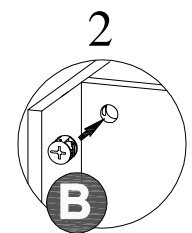
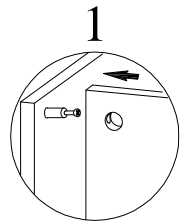
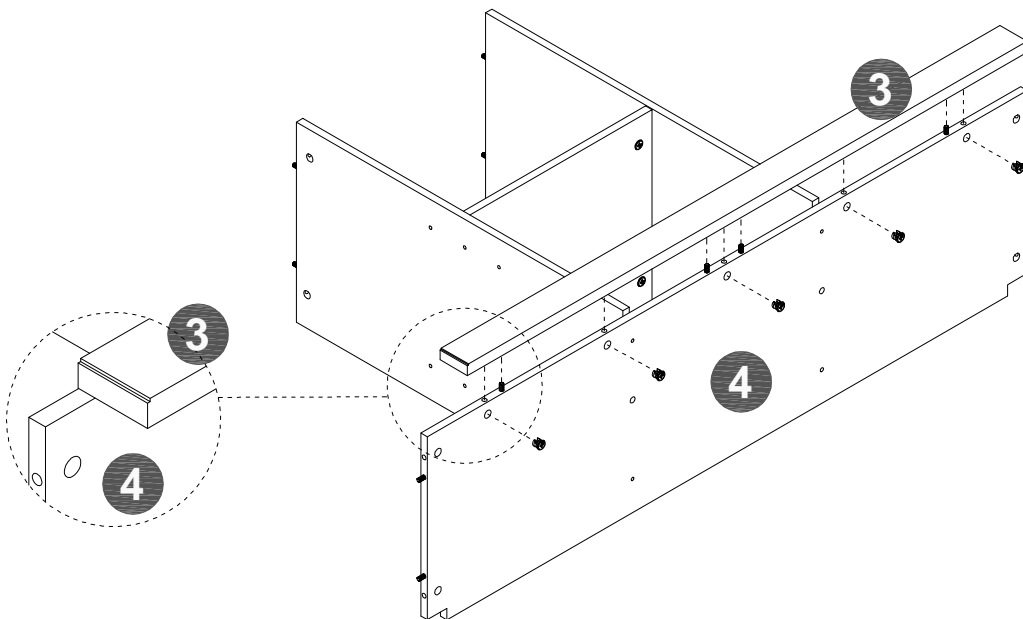
STEP 4

A x 17pcs



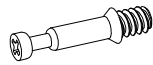
STEP 5

B x 5pcs

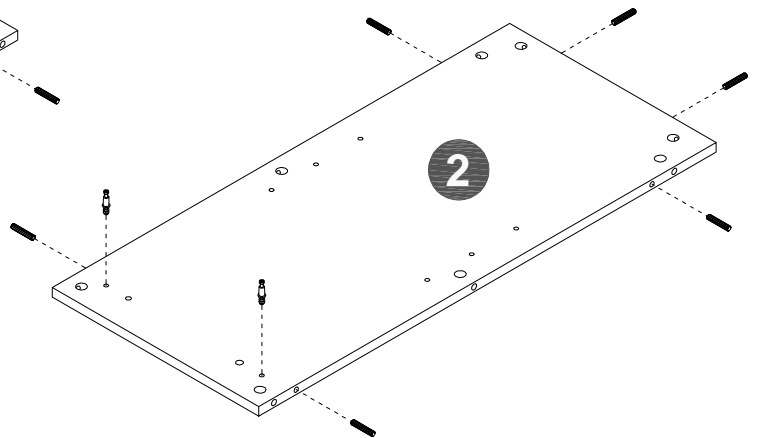
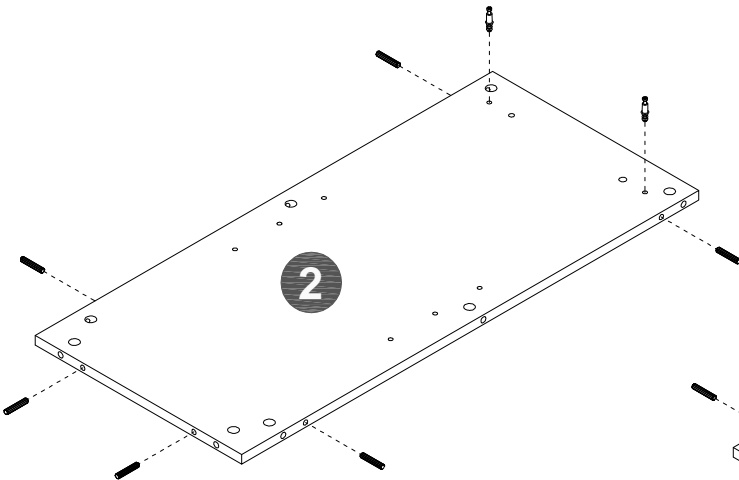
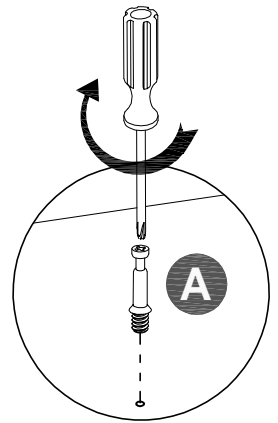
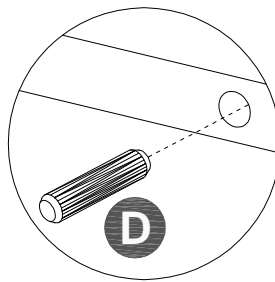


STEP 6

A x 4pcs

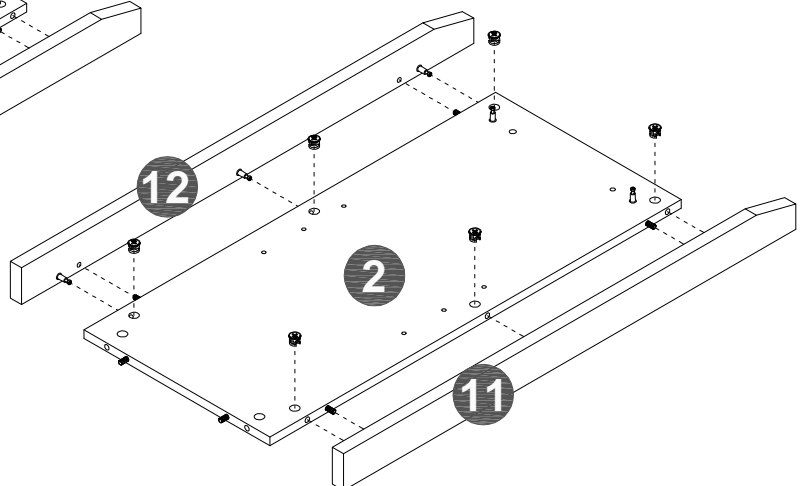
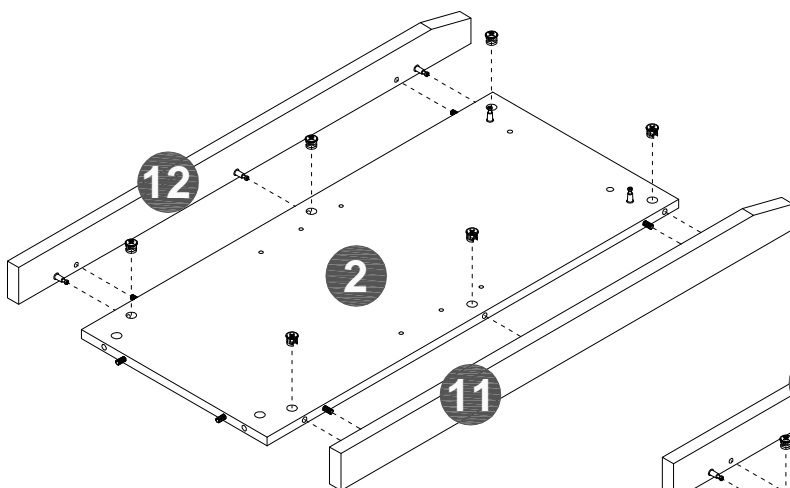
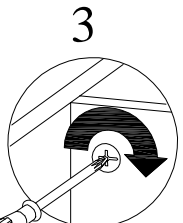
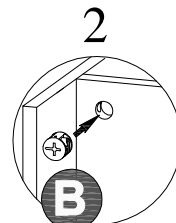
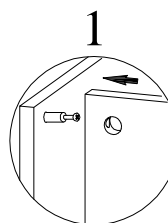


D 12pcs



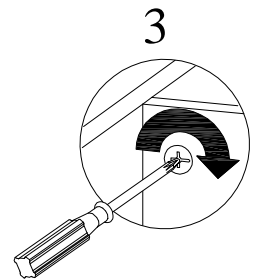
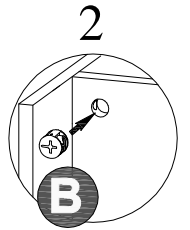
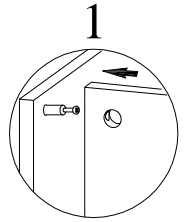
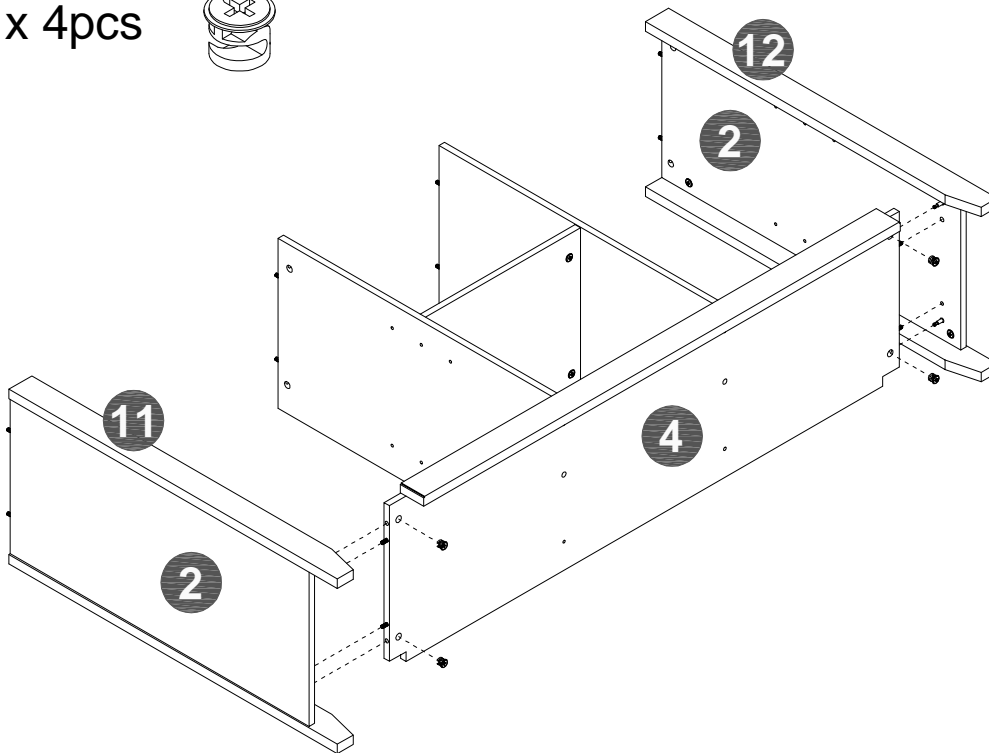
STEP 7

B x 12pcs



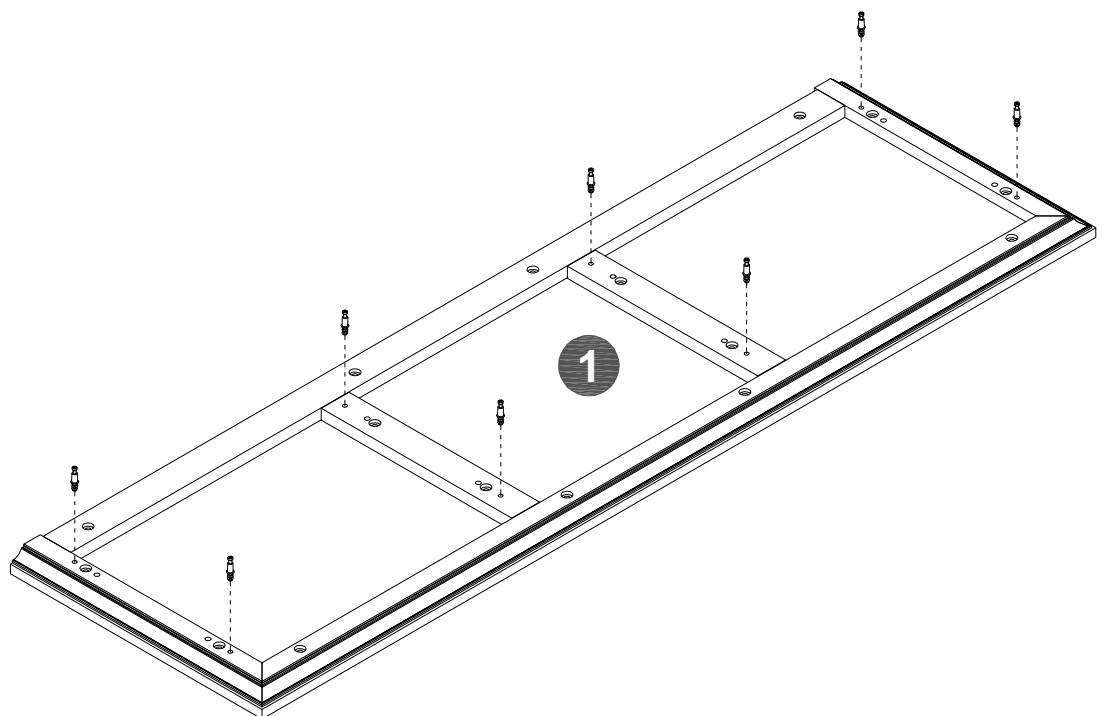
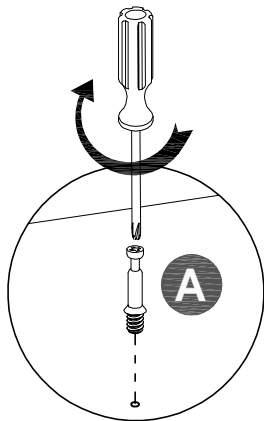
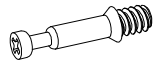
STEP 8

B x 4pcs



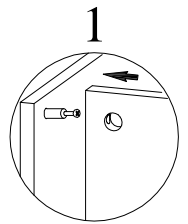
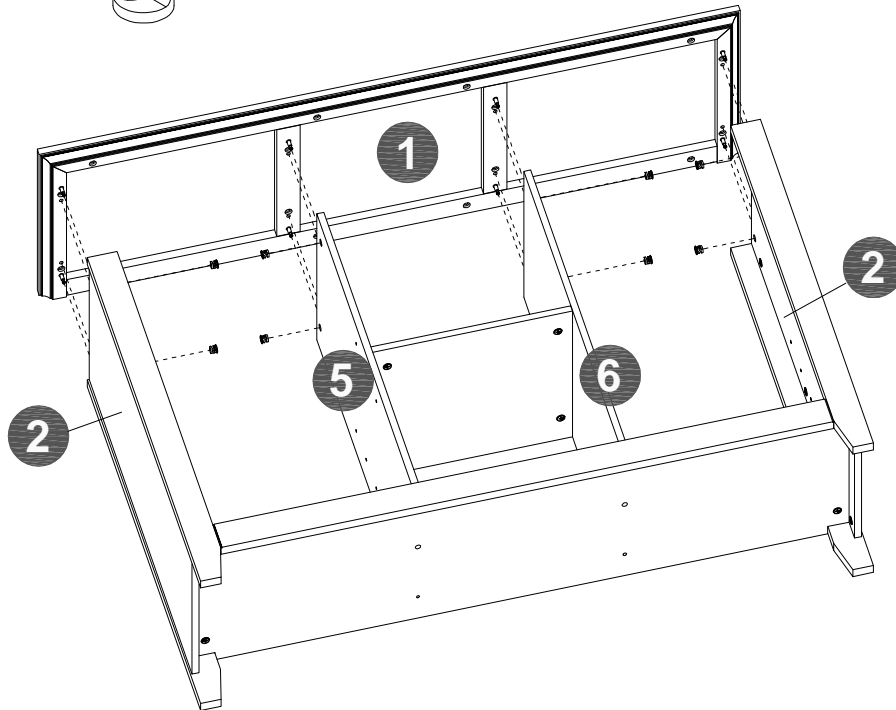
STEP 9

A x 8pcs

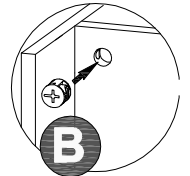


STEP 10

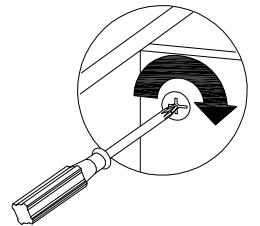
B x 8pcs



2



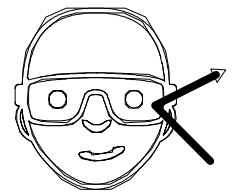
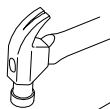
3



STEP 11

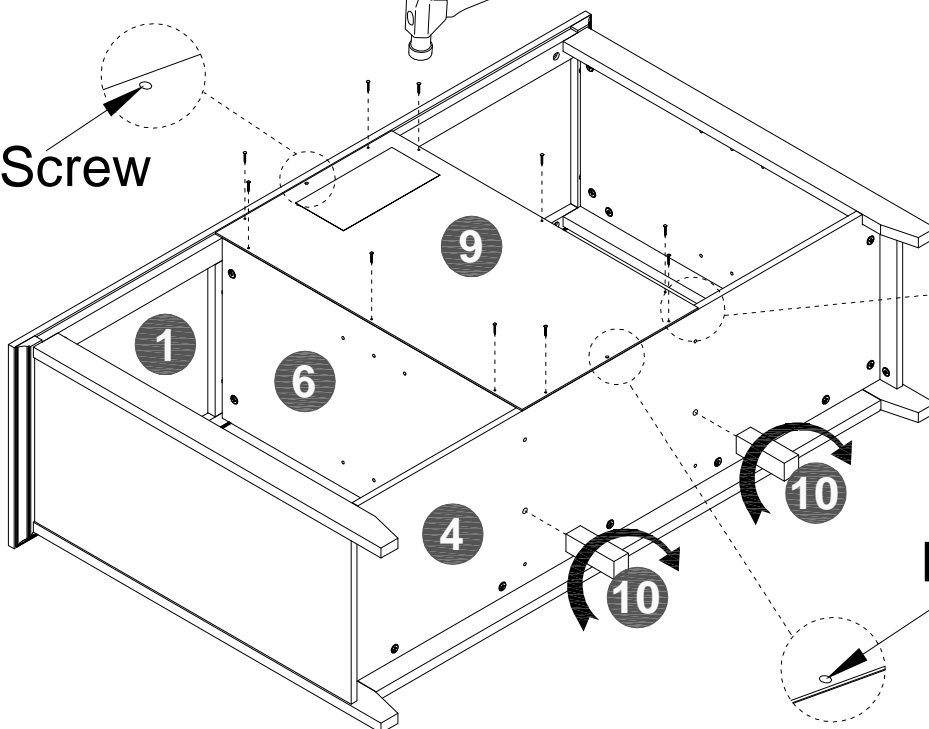
With assistant carefully flip unit over.

F x 10pcs



Safety glasses

No Screw



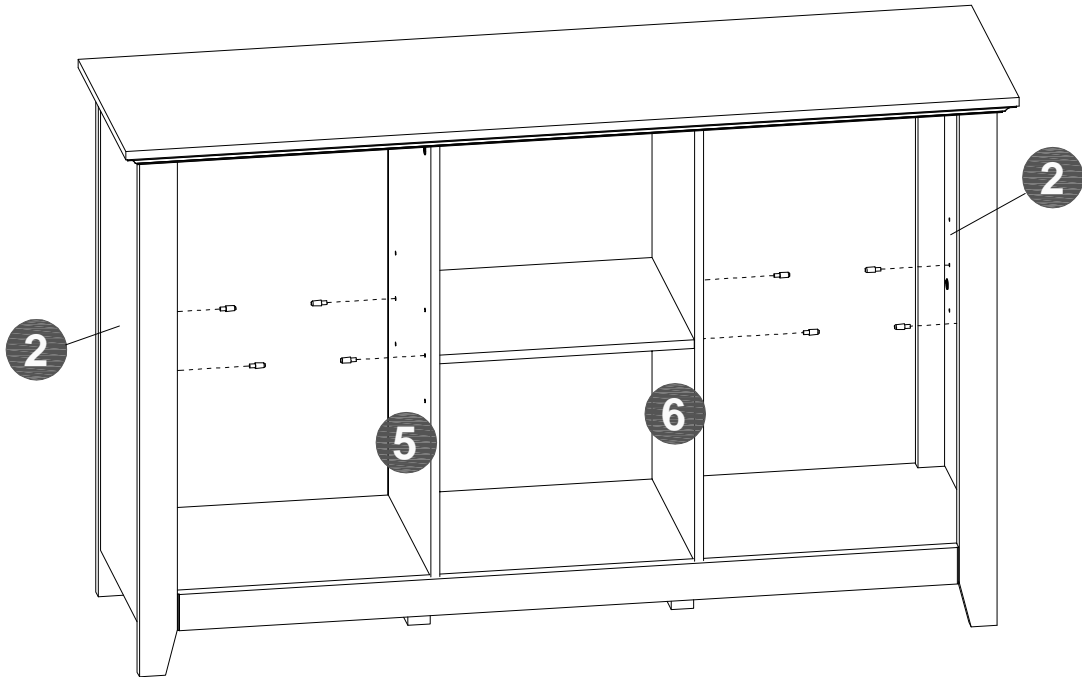
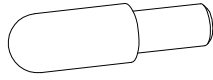
Edge alignment

No Screw

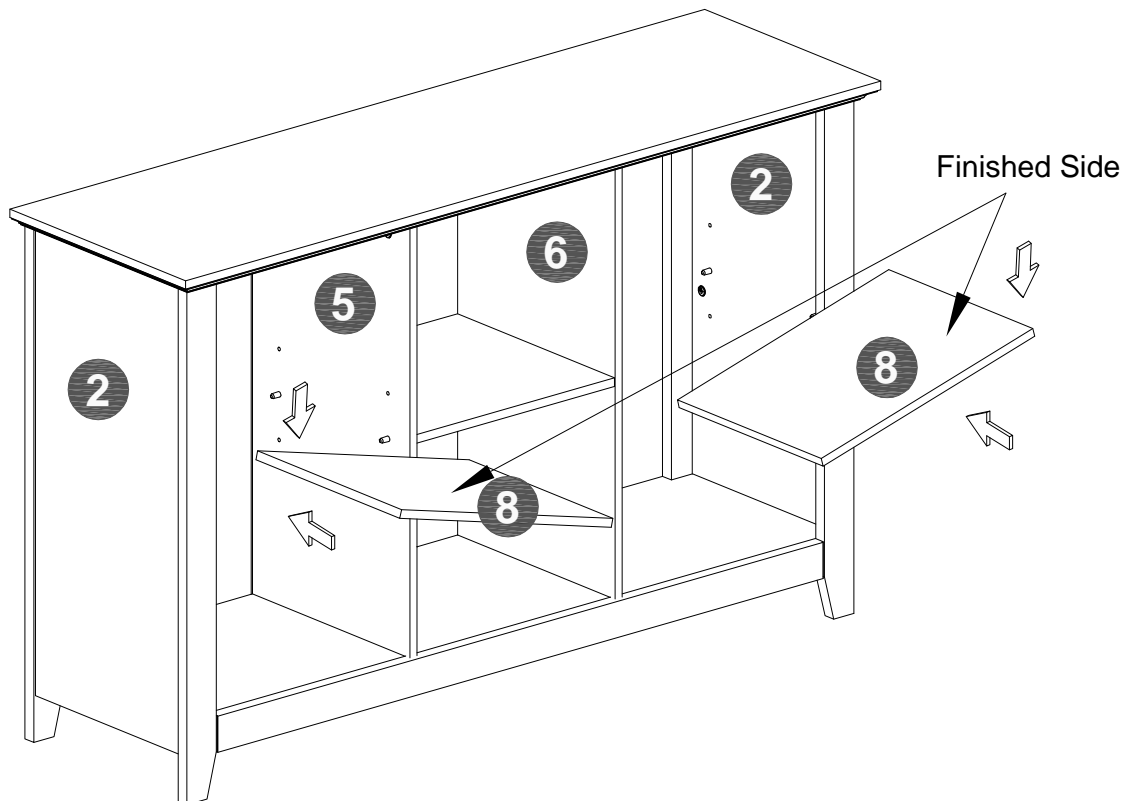
STEP 12

With assistant carefully stand unit up.

C x 8pcs

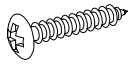


STEP 13

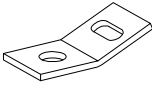


STEP 14

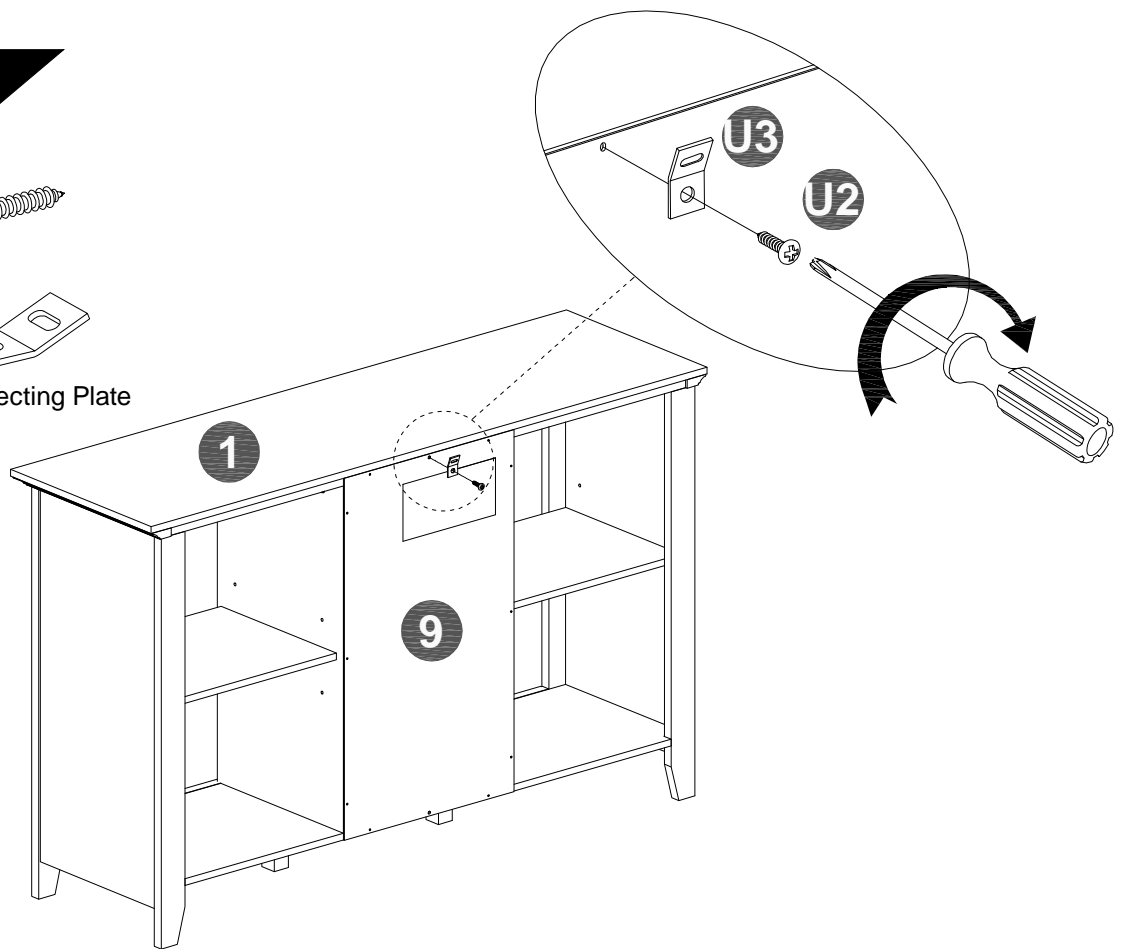
U2 x 1pc



U3 x 1pc

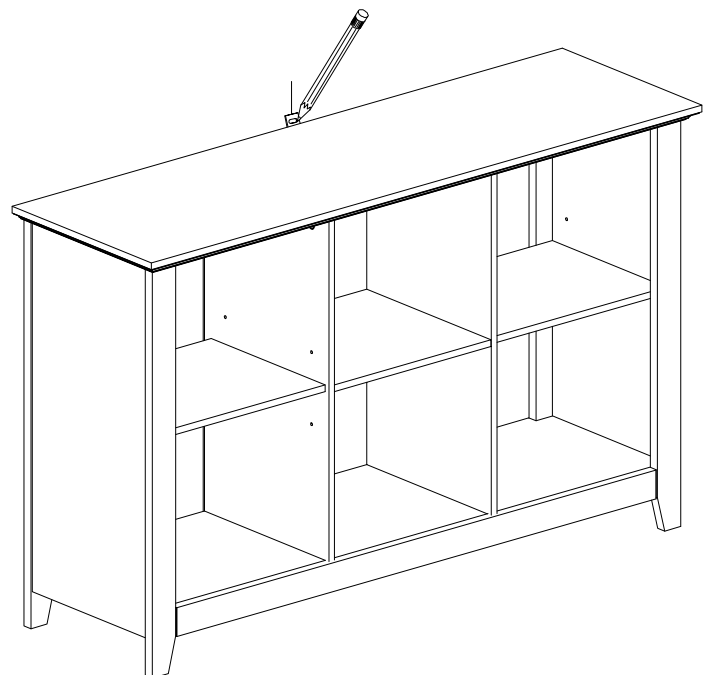
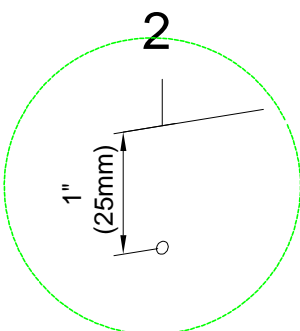
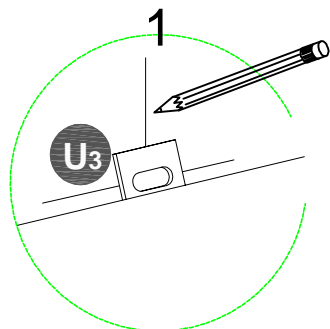


Connecting Plate



STEP 15

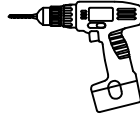
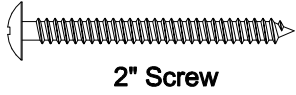
1. Place unit in desired location.
2. Locate wall stud nearest unit center.
3. On wall, mark center of stud location 1" below top of unit.
4. If a wall stud cannot be located mark hollow wall at unit center.



STEP 16

WALL STUD ATTACHMENT

U₁ x1pcs



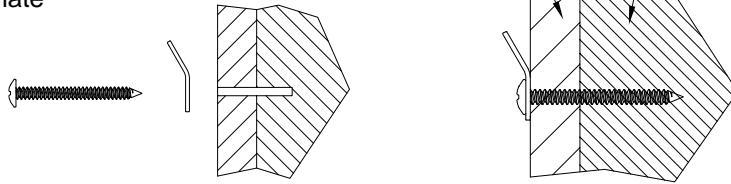
Drill 1/8" hole 2" deep at mark on wall.

U₃ x1pcs



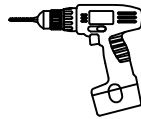
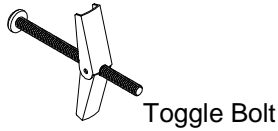
Drywall
Paneles de yeso
cloisons sèches

Wood stud
Montante de madera
Stud bois



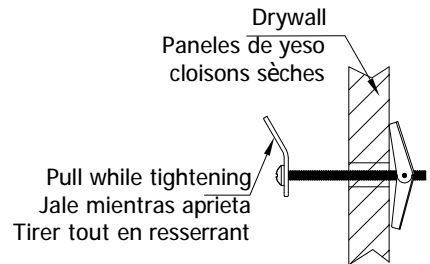
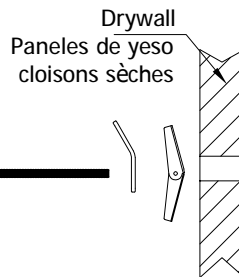
HOLLOW WALL ATTACHMENT

U₄ x1pcs



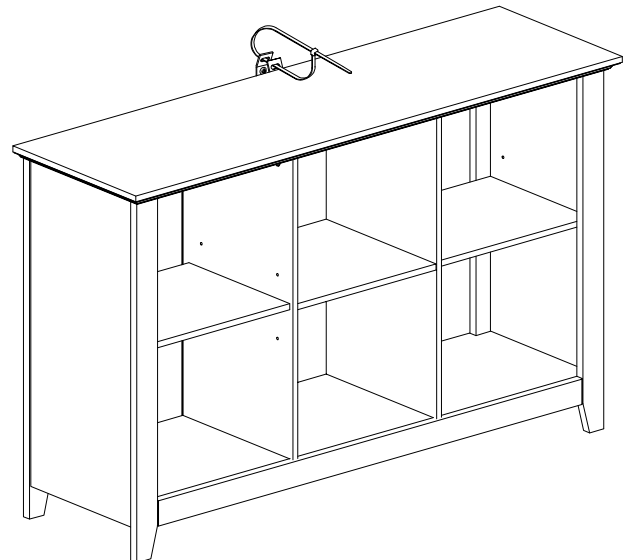
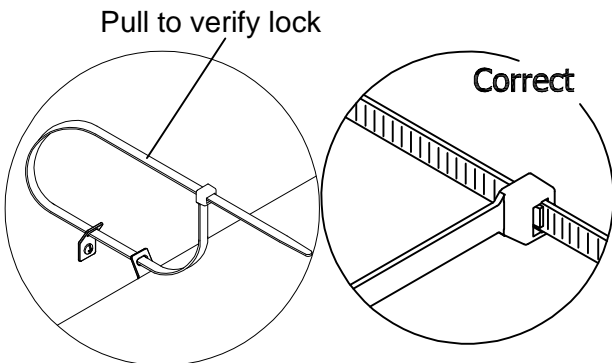
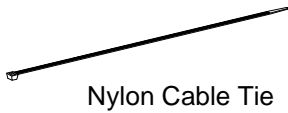
Drill 1/2" hole 1" deep at mark on wall.

U₃ x1pcs



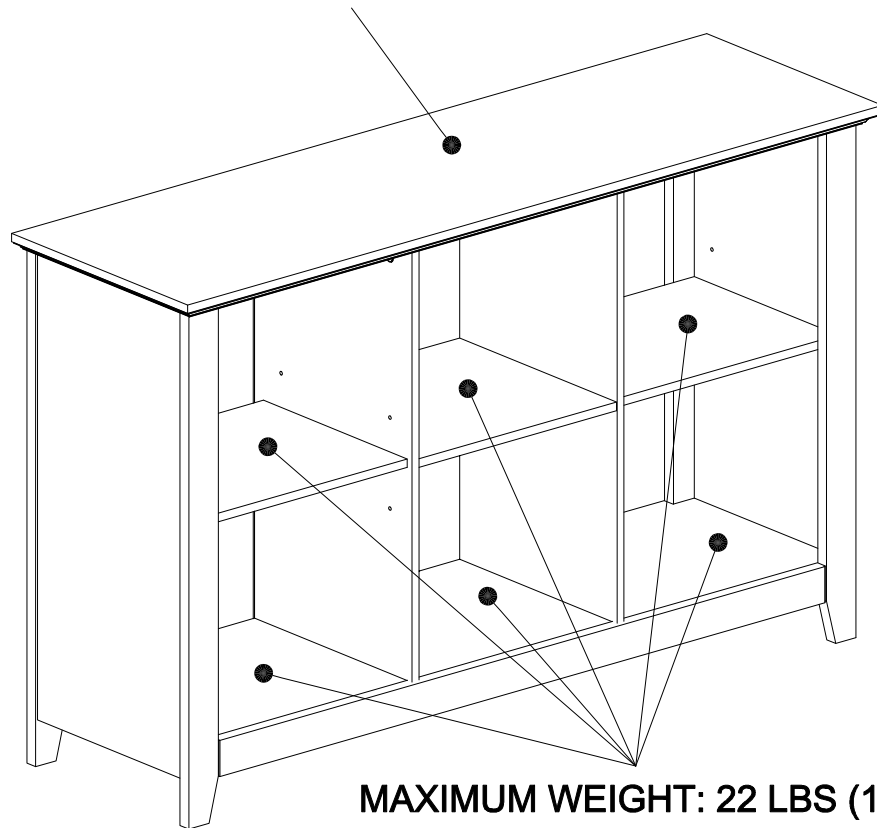
STEP 17

U₅ x 1pc



Maximum weight capacities

MAXIMUM WEIGHT: 50 LBS (22.7 KG)



MAXIMUM WEIGHT: 22 LBS (10 KG)