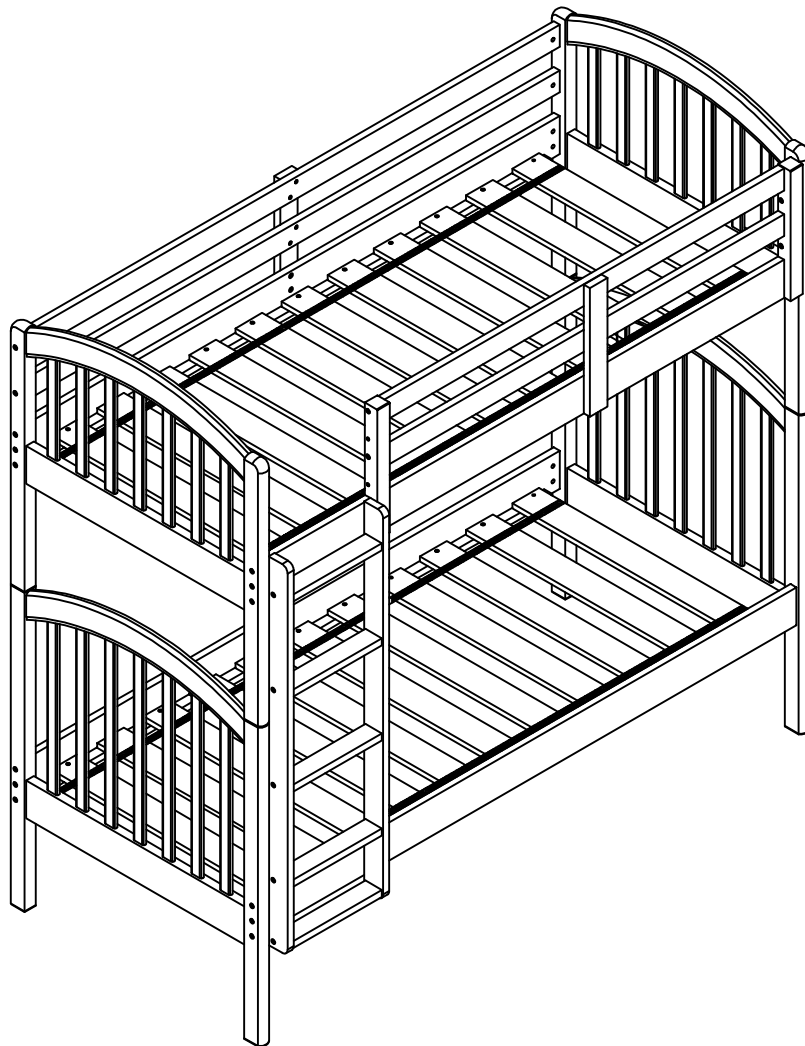


# BUNK BED



## **WARNING !!!**

Use on the top Bunk (bed) a maximum 7" mattress

**ONLY FOR ILLUSTRATION**

# Assembly Instruction



## **SAFETY WARNING**

**Read all instructions carefully before assembling this product.**

1. Follow the information on the warnings appearing on the upper bunk end structure and on the carton. Do not remove warning label from bed.
2. Always use the recommended size mattress or mattress support, or both, to help prevent the likelihood of entrapment or falls.
3. Surface of mattress must be at least 5 in. (127 mm) below the upper edge of guardrails.
4. Do not allow children under 6 years of age to use the upper bunk.
5. Periodically check and ensure that the guardrail, ladder, and other components are in their proper position, free from damage, and that all connectors are tight.
6. Do not allow horseplay on or under the bed and prohibit jumping on the bed.
7. Prohibit more than one person on upper bunk.
8. Always use the ladder for entering and leaving the upper bunk.
9. Do not use substitute parts. Contact the manufacturer or dealer for replacement parts.
10. Use of a night light may provide added safety precaution for a child using the upper bunk.
11. Always use guardrails on both long sides of the upper bunk. If the bunk bed will be placed next to the wall, the guardrail that runs the full length of the bed should be placed against the wall to prevent entrapment between the bed and wall.
12. The use of water or sleep flotation mattresses is prohibited.
13. **STRANGULATION HAZARD**-Never attach or hang items to any part of the bunk bed that are not designed for use with the bed; for example, but not limited to hooks, belts and jump ropes.
14. Keep these instructions for future reference.

### **SIZE OF MATTRESS AND FOUNDATION:**

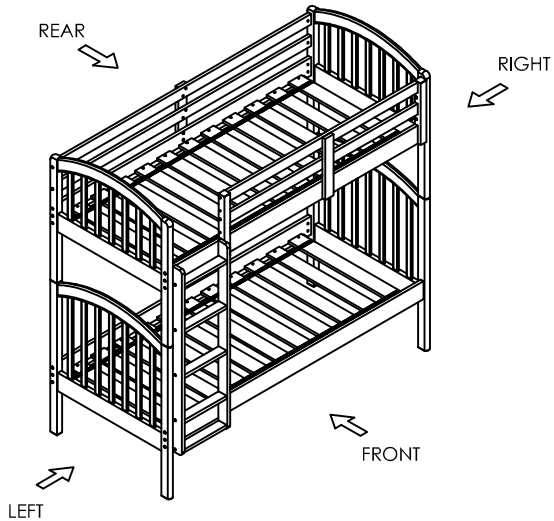
- Use only a mattress which is 74" - 75" inches long and 38" - 38 1/2" inches wide for model in 39" inches. For model in 33" inches use mattress 32 1/2 " inches wide on upper bunk.
- Ensure that the thickness of the mattress does not exceed 7" and that the mattress surface is at least 5" (127mm) below the upper edge of the guardrails.
- Use only a mattress which is 74" - 75" inches long and 38" - 38 1/2" inches wide for model in 39" inches. For model in 33" inches use mattress 32 1/2 " inches wide on lower bunk.
- Ensure that the thickness of the mattress does not exceed 7".

### **WARNING:**

**Adult Assembly Required. This package contains small parts. Keep away from children.**

**IMPORTANT: ALL CONNECTIONS MUST BE TIGHTENED PROPERLY**

# ASSEMBLY INSTRUCTIONS



## ASSEMBLY TIPS

1. Remove hardware from box and sort by size.
2. Please check to see that all hardware and parts are present prior start of assembly.
3. Please follow attached instructions in the same sequence as numbered to assure fast and easy assembly.



## Warning !

1. Don't attempt to repair or modify parts that are broken or defective. Please contact the store immediately.
2. This product is for home use only and not intended for commercial establishments.

## HARDWARE LIST



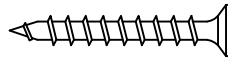
(1) JCBC M6 x 80mm  
24pcs



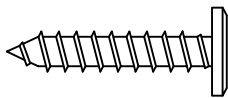
(2) JCBC M6 x 60mm  
12pcs



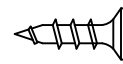
(3) JCBC M6 x 30mm  
4pcs



(5) WOOD SCREW  
M4.0 x 30mm  
44pcs



(4) JCBC - W M6 x 30mm  
8pcs



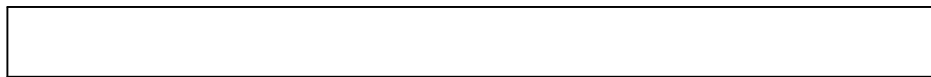
(6) WOOD SCREW  
M3.5 x 16mm  
20pcs



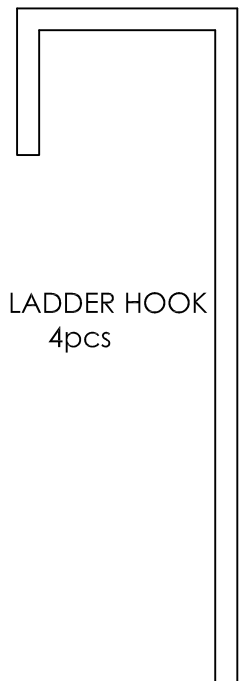
(7) WOOD DOWEL Ø10 x 30mm  
42pcs



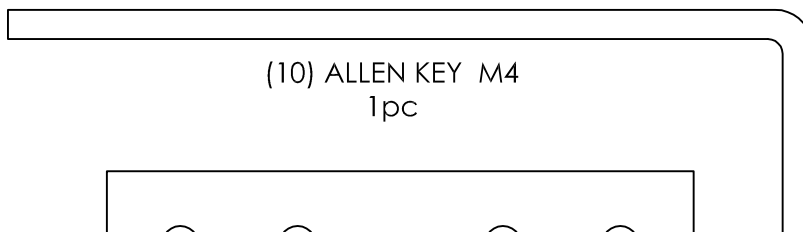
(8) BARREL NUT M6 x 13mm  
34pcs



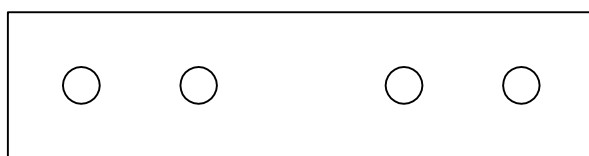
(9) METAL PIN Ø9.5 x 127mm  
4pcs



(12) LADDER HOOK  
4pcs

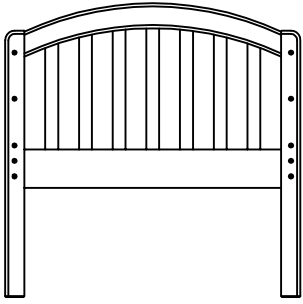
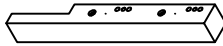
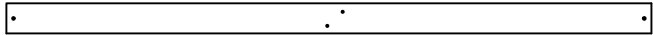
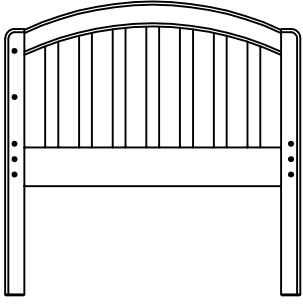
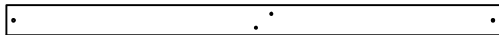
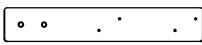
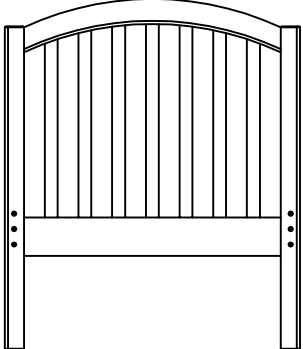
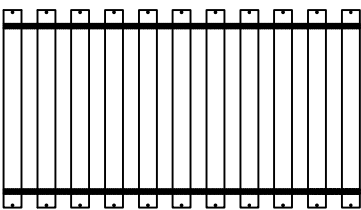
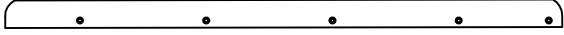
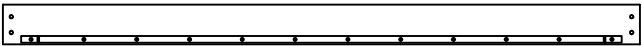
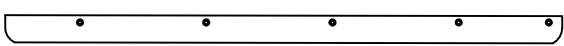

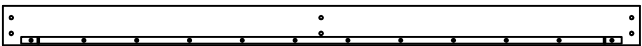
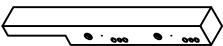


(10) ALLEN KEY M4  
1pc



(11) METAL BRACKET  
2pcs

## COMPONENT LIST

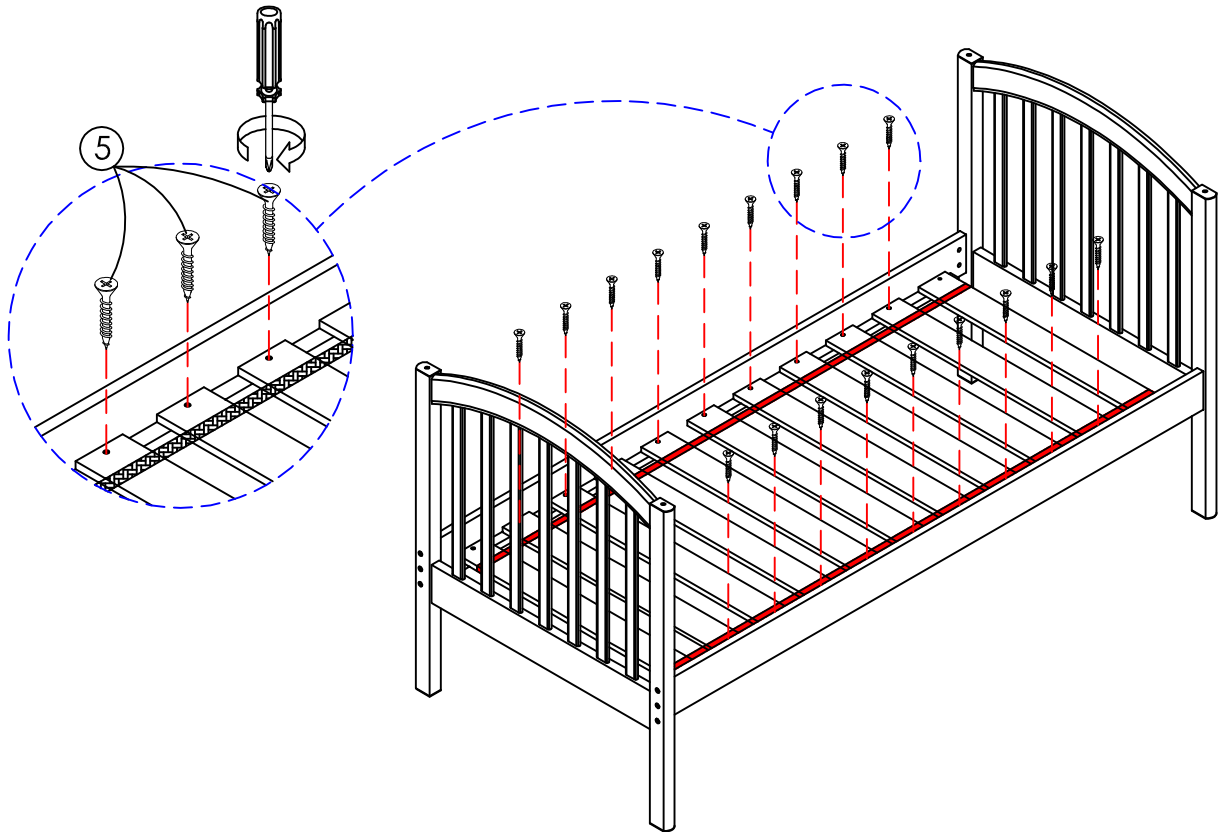
A	 <p style="text-align: center;">UPPER HEADBOARD</p>	1 pc	G	 <p style="text-align: center;">GUARD RAIL SUPPORT (RIGHT FRONT)</p>	1 pc
				H	 <p style="text-align: center;">REAR GUARD RAIL</p>
B	 <p style="text-align: center;">UPPER FOOTBOARD</p>	1 pc	I	 <p style="text-align: center;">FRONT GUARD RAIL</p>	2 pcs
				J	 <p style="text-align: center;">CENTER GUARD RAIL SUPPORT</p>
C	 <p style="text-align: center;">LOWER HEADBOARD / FOOTBOARD</p>	2 pcs	K	 <p style="text-align: center;">SLAT</p>	2 sets
				L	 <p style="text-align: center;">LEFT LADDER RAIL</p>
D	 <p style="text-align: center;">LOWER SIDE RAIL</p>	2 pcs	M	 <p style="text-align: center;">RIGHT LADDER RAIL</p>	1 pc
				N	 <p style="text-align: center;">LADDER STRETCHER</p>
E	 <p style="text-align: center;">UPPER SIDE RAIL</p>	2 pcs			
				F	 <p style="text-align: center;">GUARD RAIL SUPPORT (LEFT FRONT)</p>



STEP 3

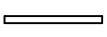
LOWER BED

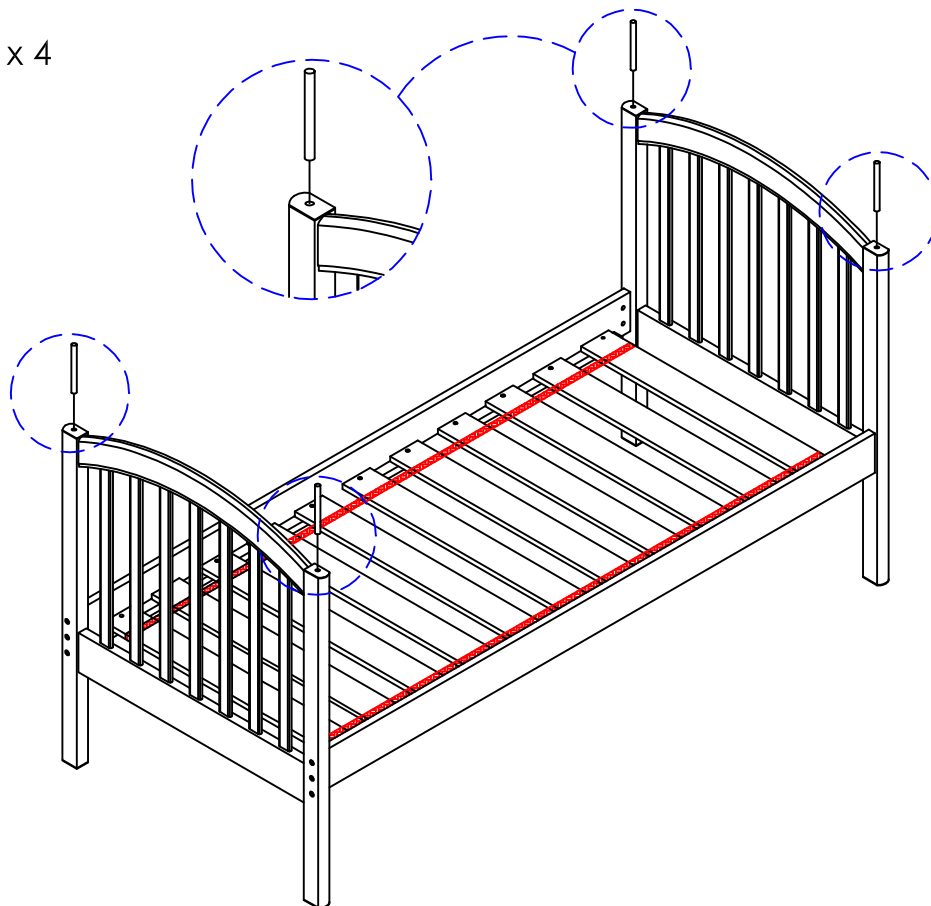
⑤  x 18



STEP 4





LOWER BED

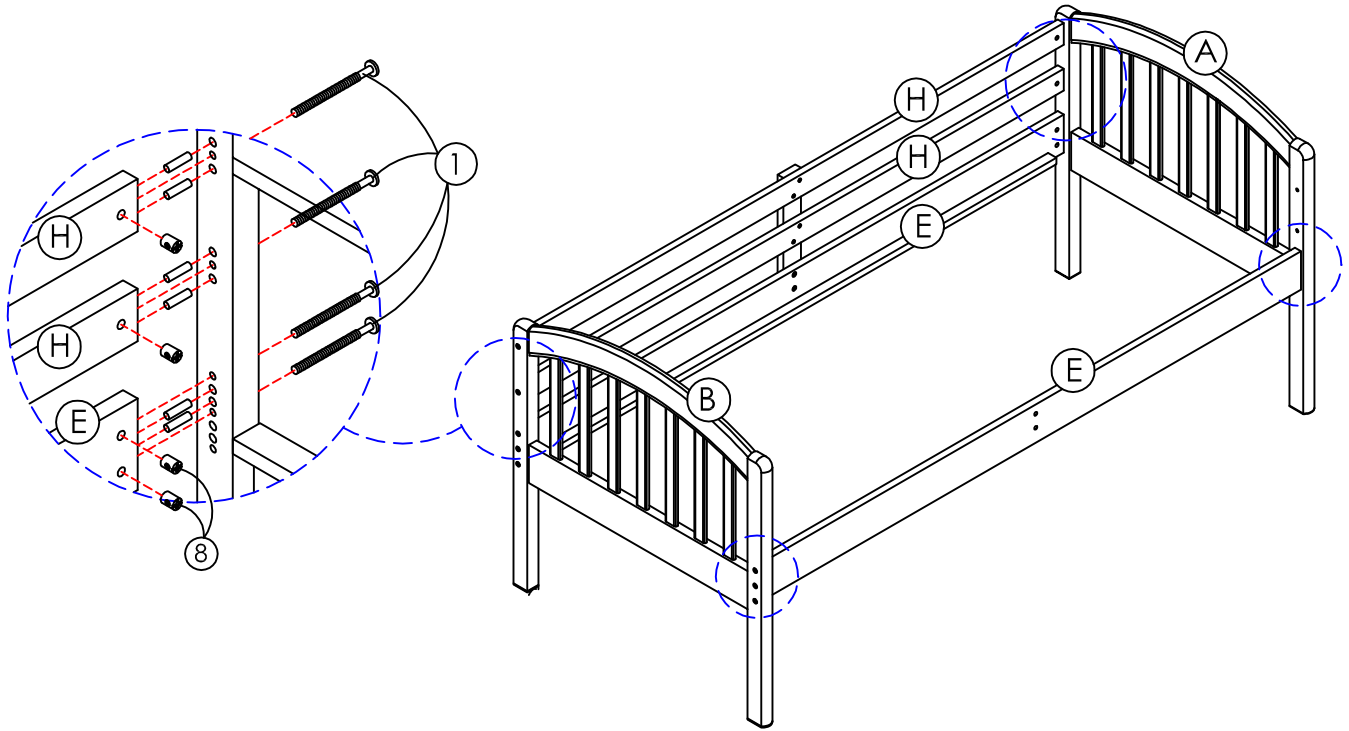
⑨  x 4



STEP 5





UPPER BED

- ①  x 12
- ②  x 12
- ③  x 16
- ④  x 1

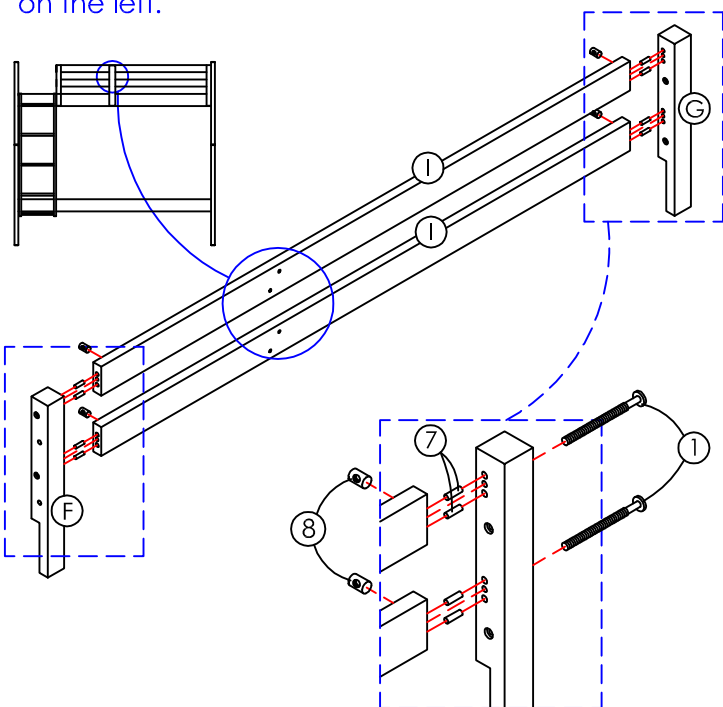


For bunk bed, please make sure the side rail (E) at high position and using bolt hole (i & ii).

STEP 6A

- ①  x 4
- ②  x 4
- ③  x 8
- ④  x 1

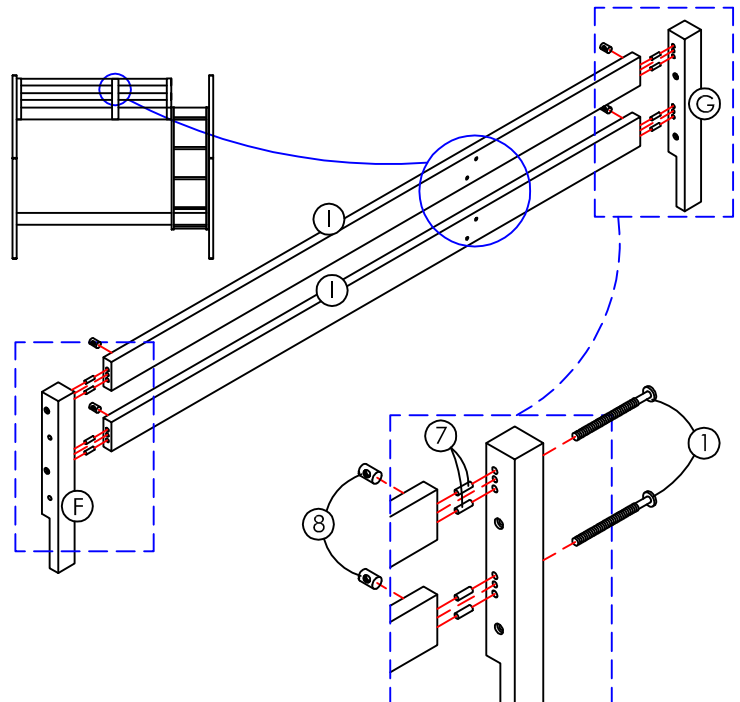
To assemble the bunk with the ladder on the left, make sure the hole of guard rail on the left.



STEP 6B





UPPER BED

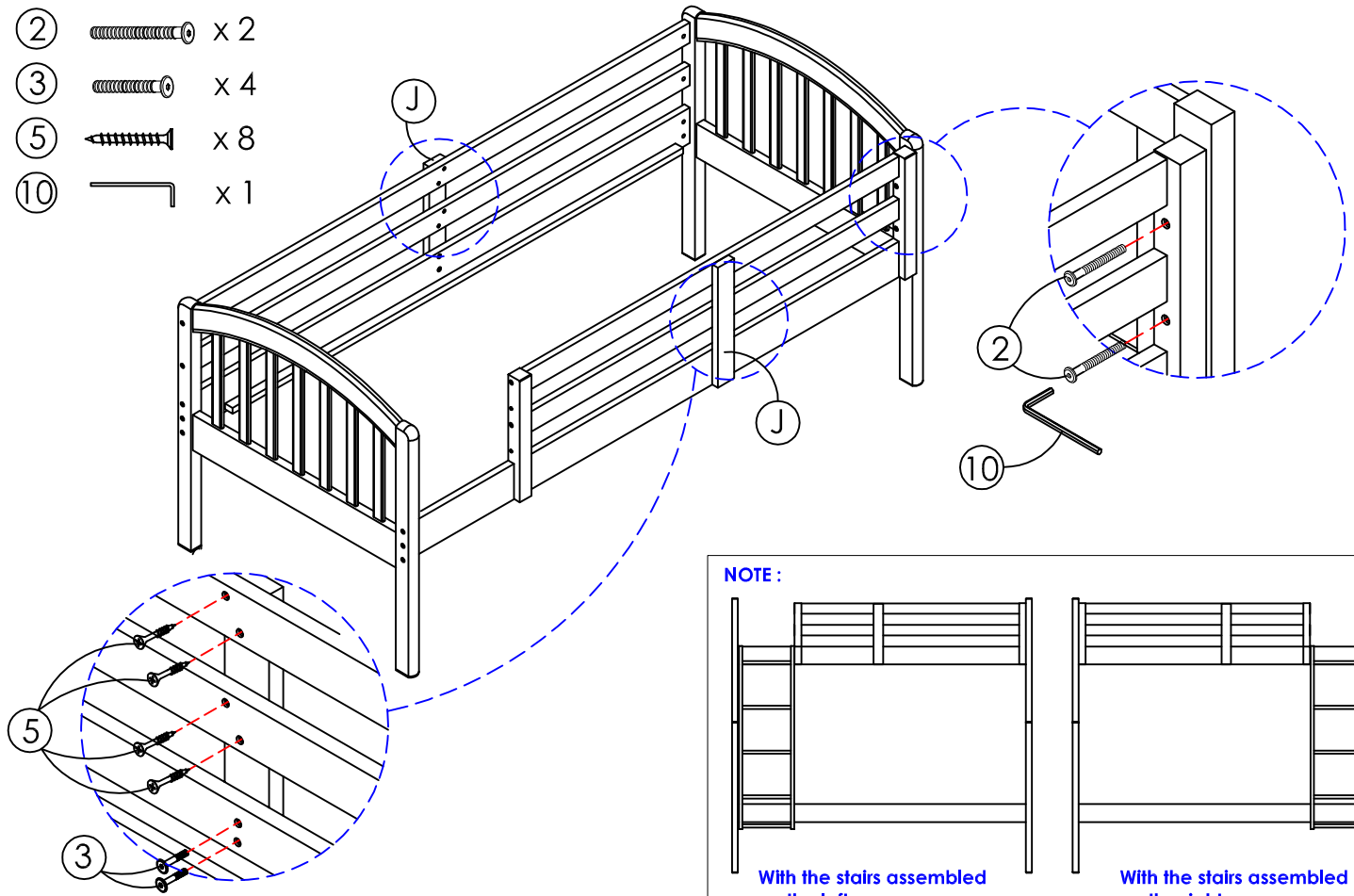
To assemble the bunk with the ladder on the right, make sure the hole of guard rail on the right.



# STEP 7

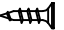
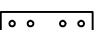
# UPPER BED

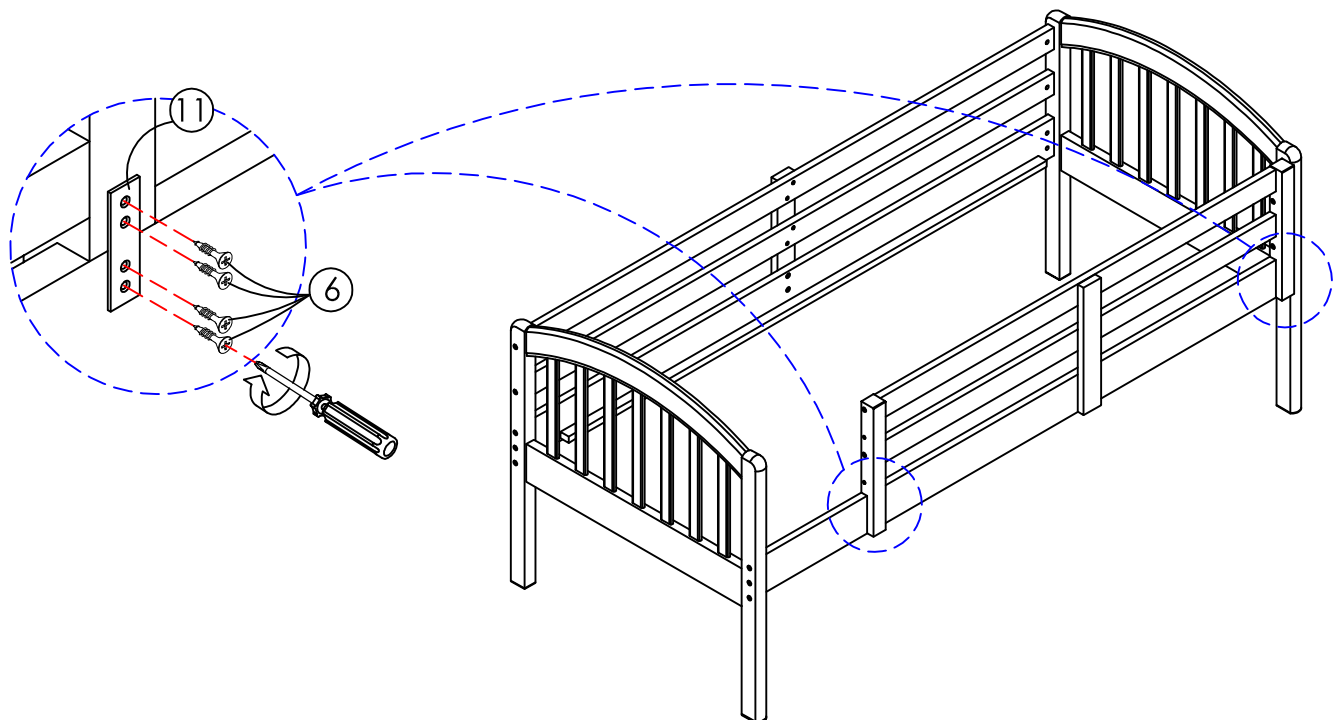
- ②  x 2
- ③  x 4
- ⑤  x 8
- ⑩  x 1



# STEP 8

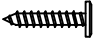

# UPPER BED

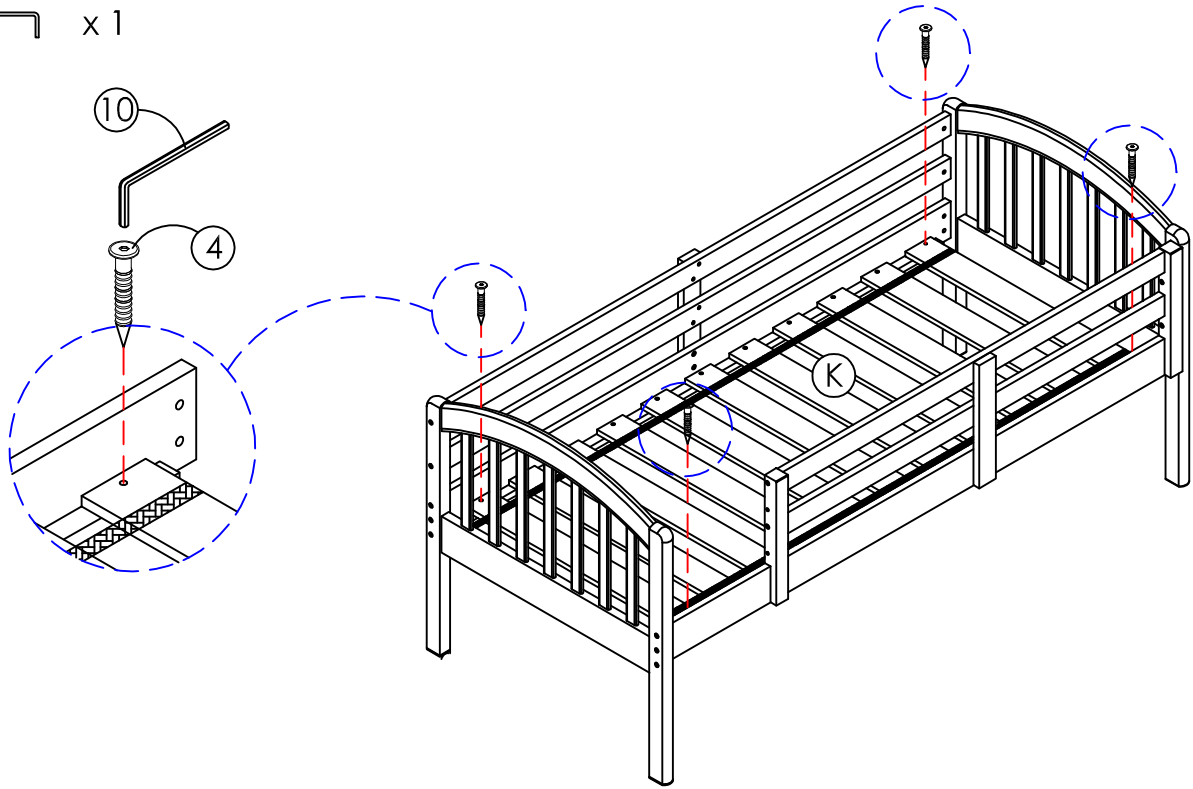
- ⑥  x 8
- ⑪  x 2



STEP 9

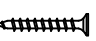
UPPER BED

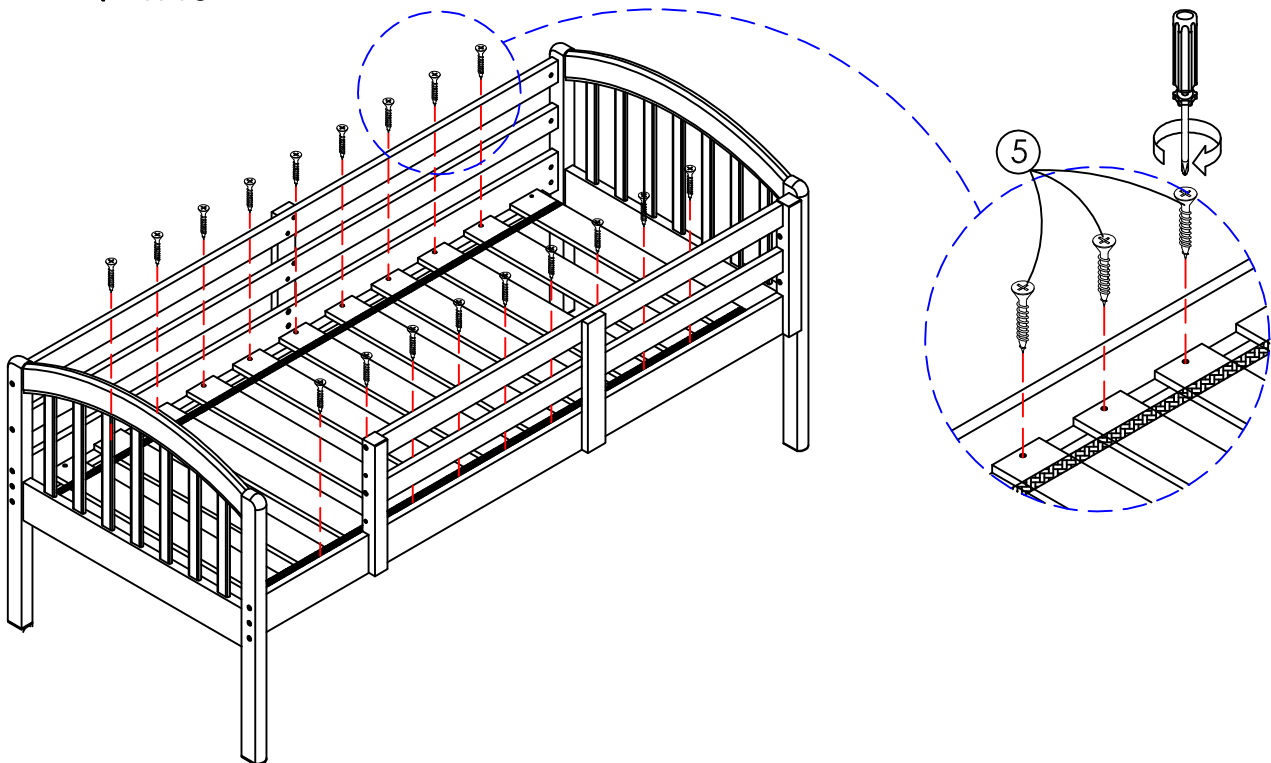
- ④  x 4
- ⑩  x 1



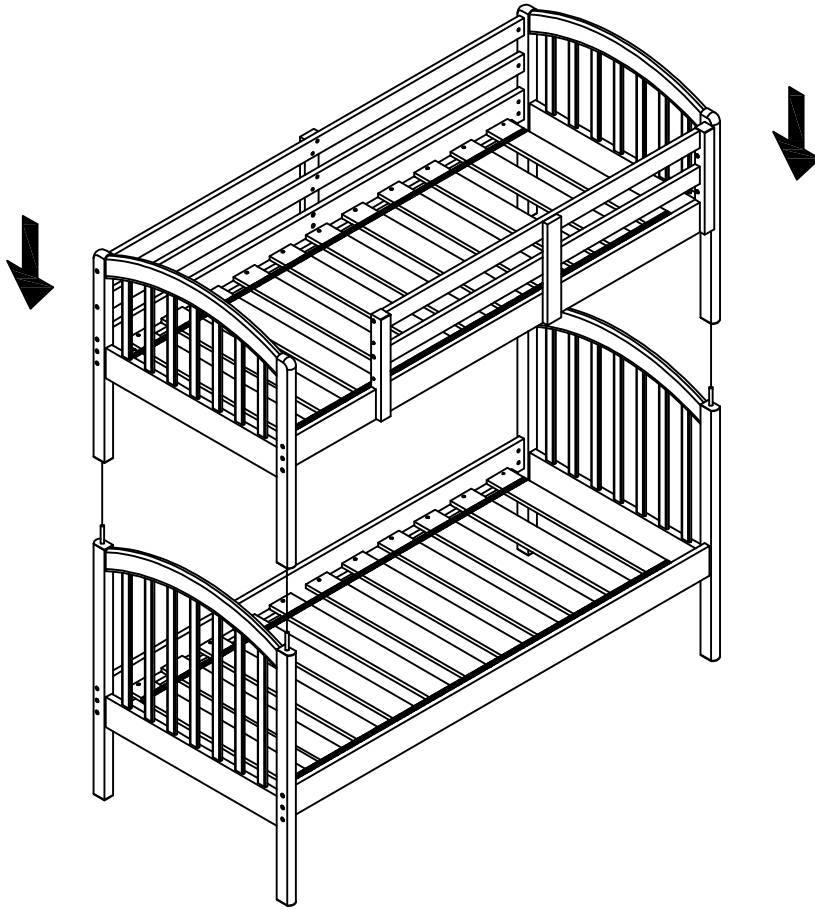
STEP 10

UPPER BED

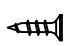

- ⑤  x 18

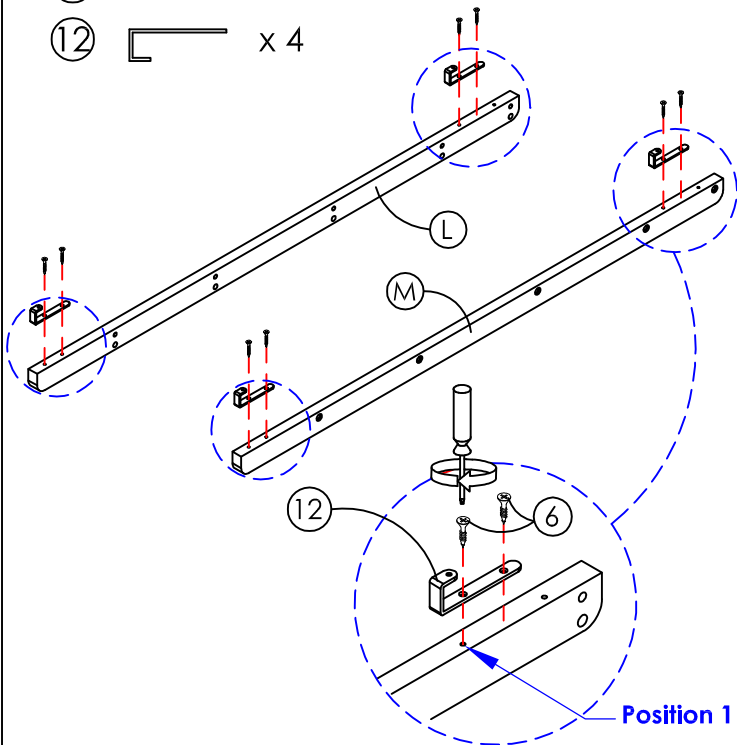


# STEP 11



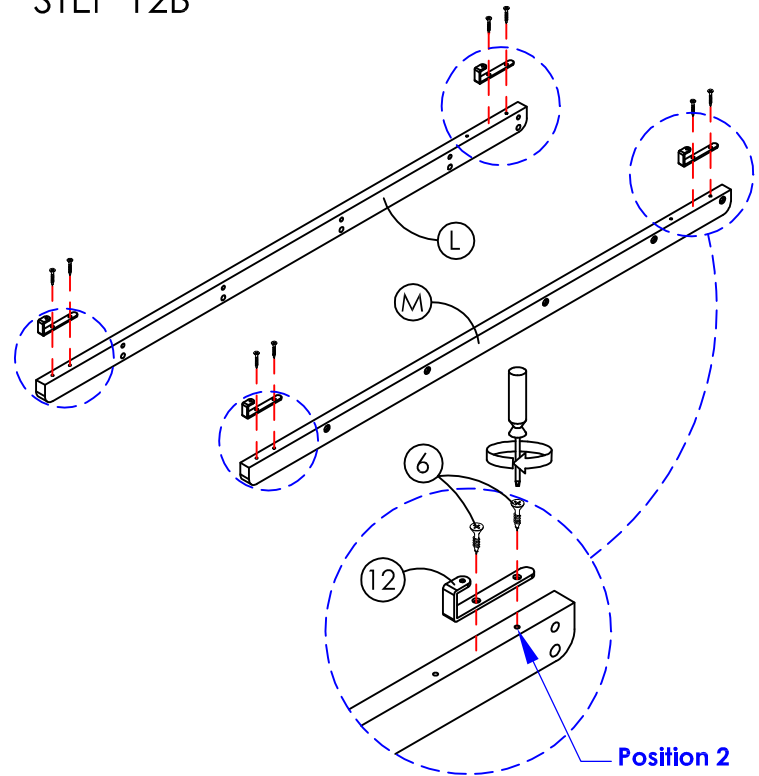
## STEP 12A

- ⑥  x 8
- ⑫  x 4







When step 1A using bolt hole (i & ii), fix upper screw hole of ladder hook first at position 1. Then fix lower screw hole as shown in picture.

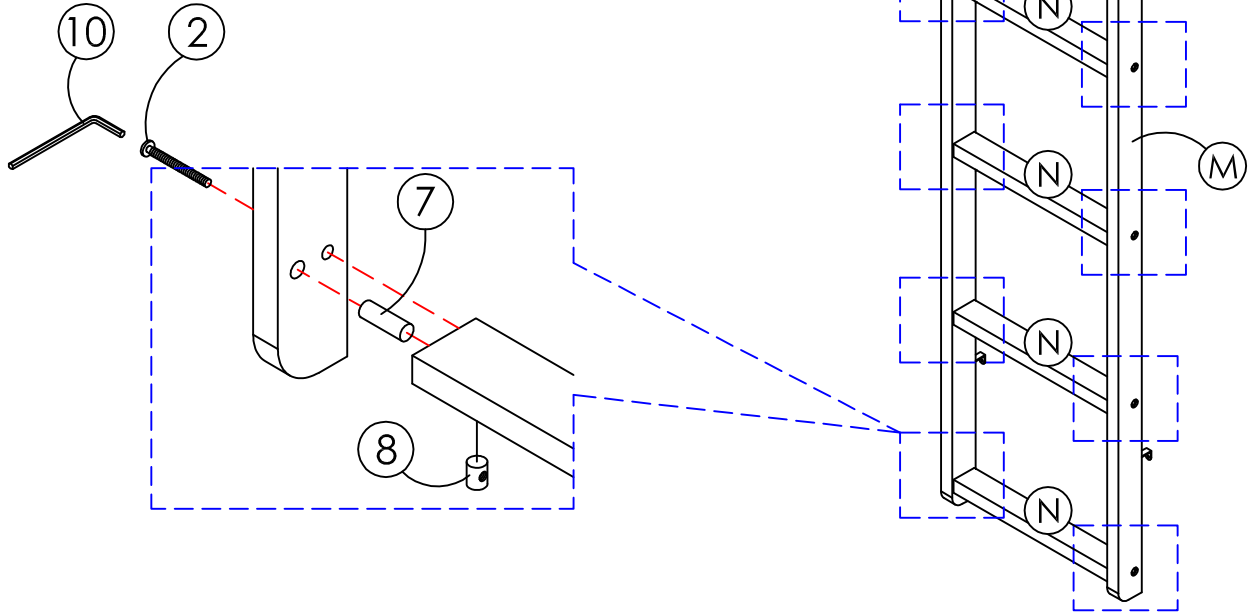
## STEP 12B



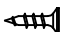
When step 1A using bolt hole (ii & iii), fix lower screw hole of ladder hook first at position 2. Then fix upper screw hole as shown in picture.

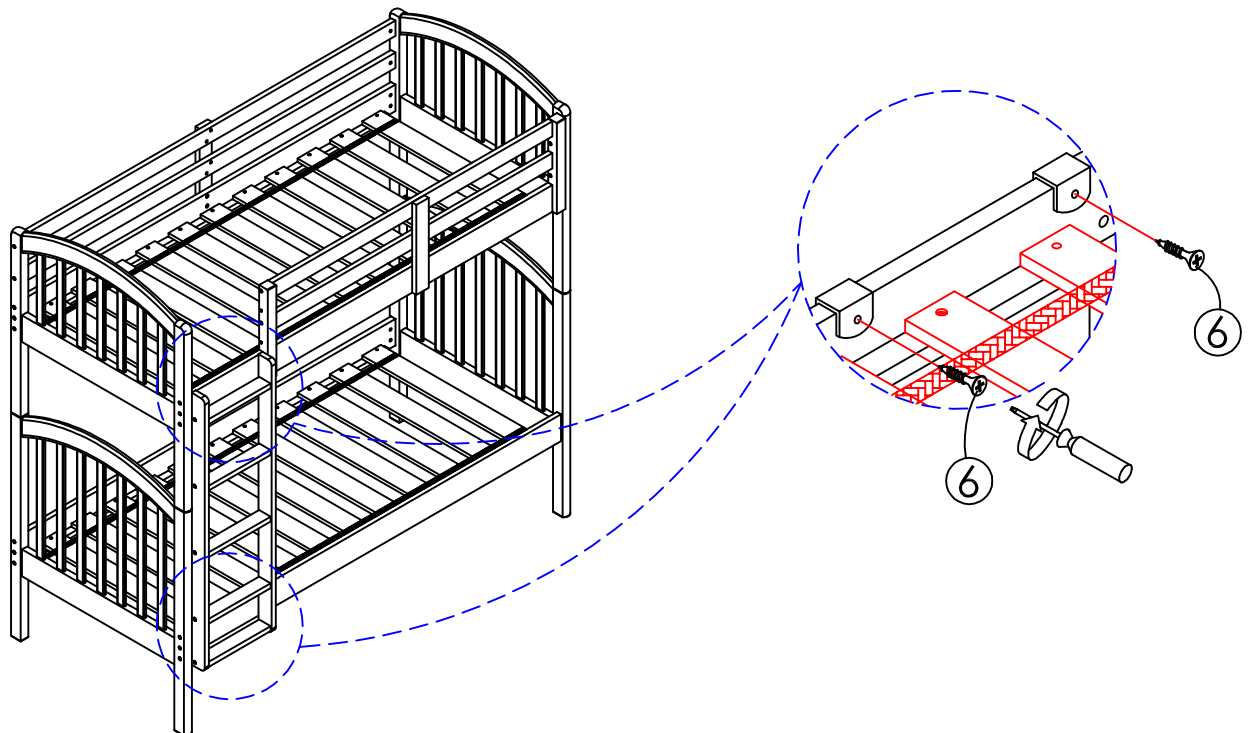
### STEP 13

- ②  x 10
- ⑦  x 10
- ⑧  x 10
- ⑩  x 1



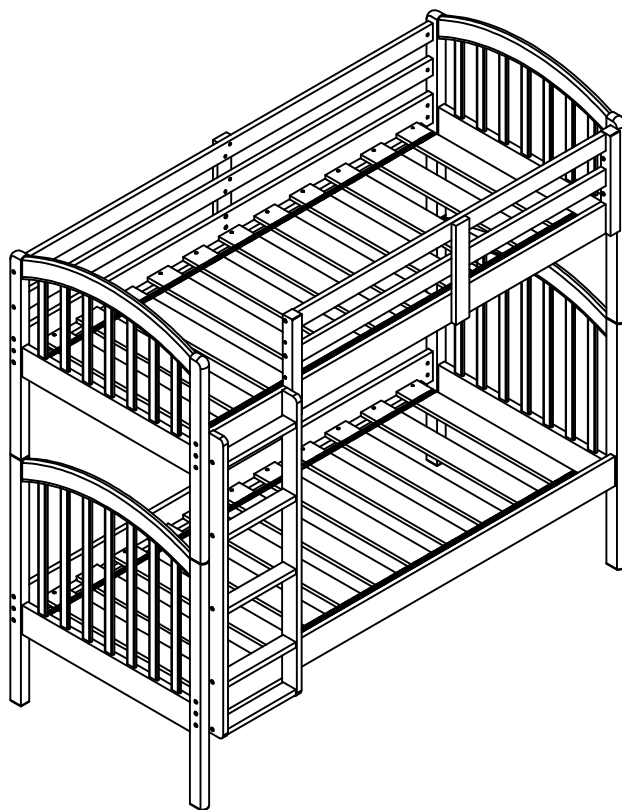
### STEP 14

- ⑥  x 4



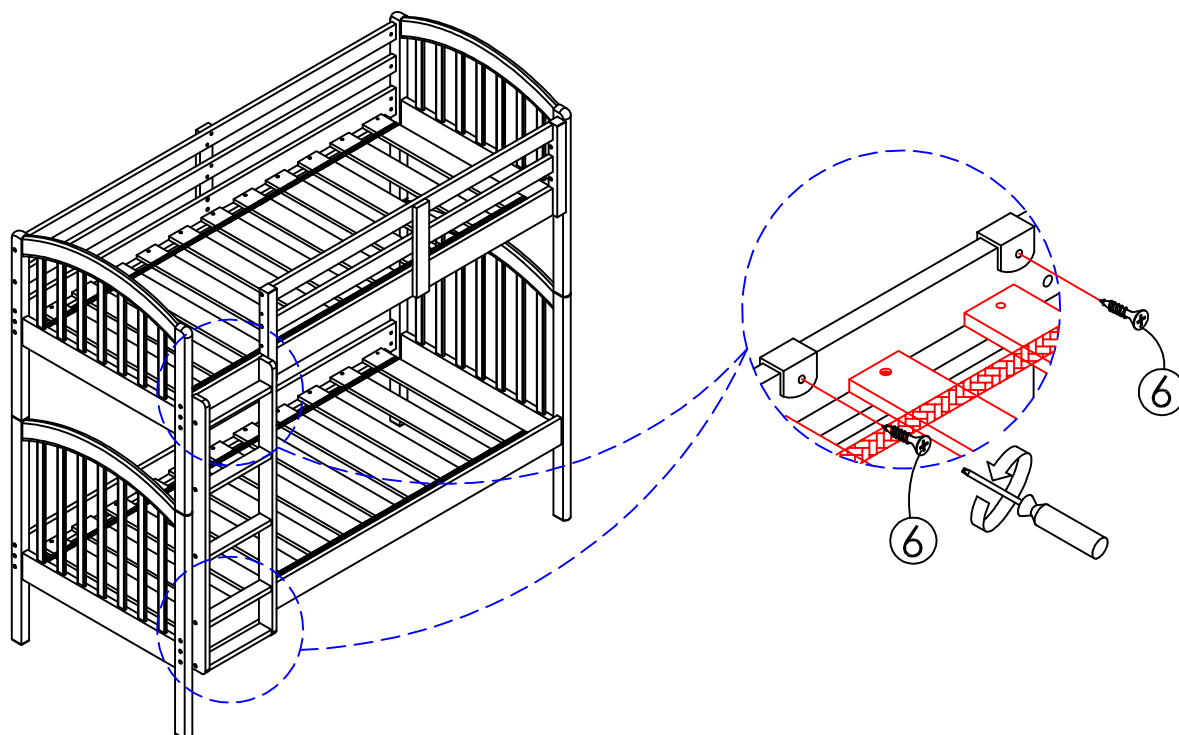
## STEP 15

Complete assembly for bunk bed.



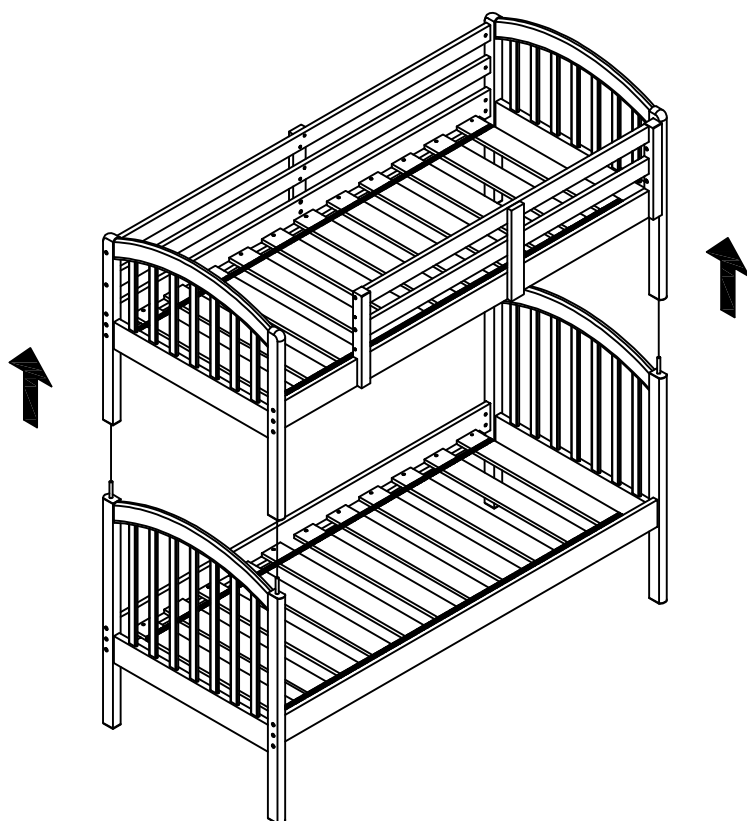
## STEP 16

Instruction to change bunk bed into single beds.



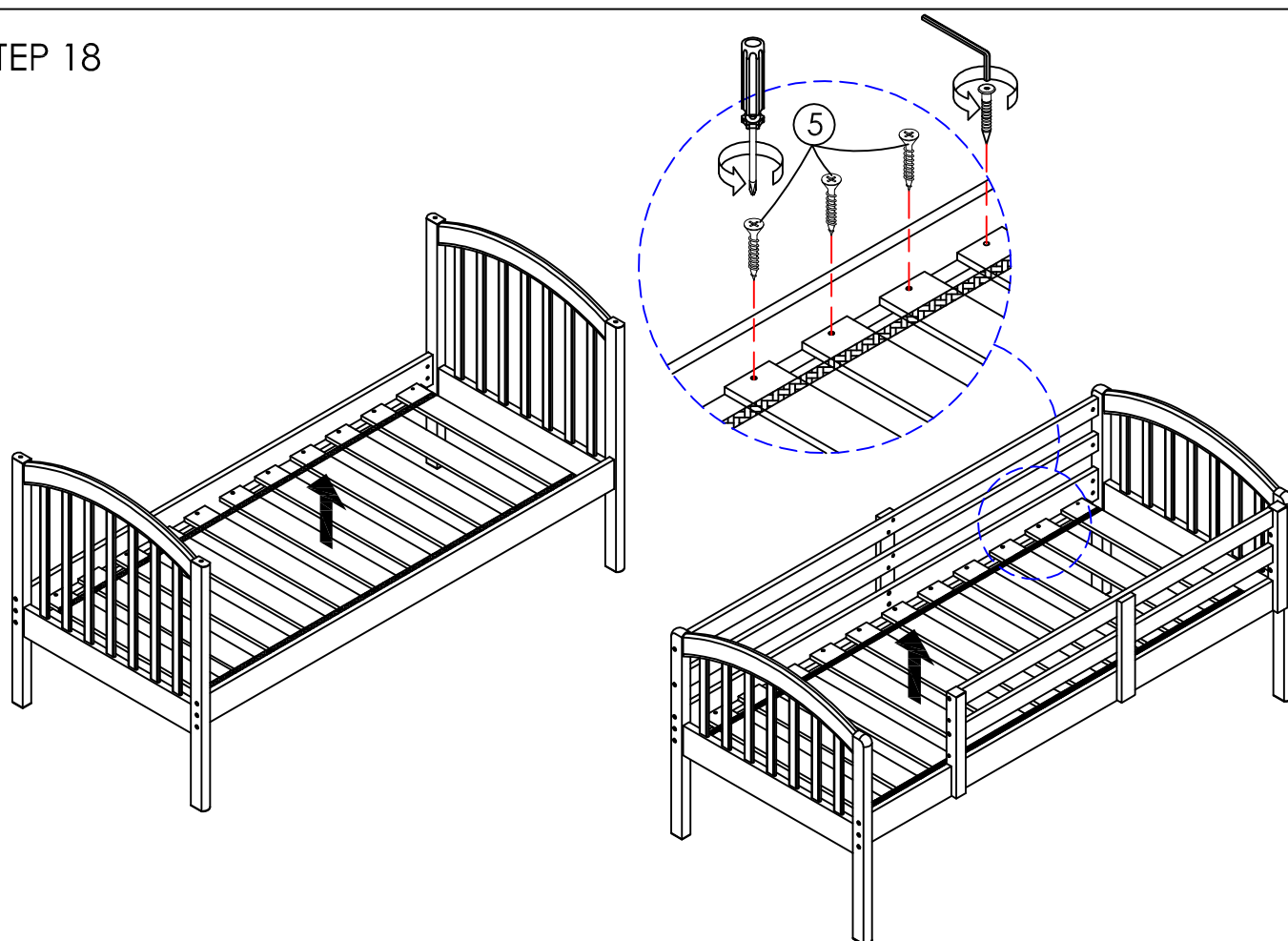
Unscrew the WOOD SCREW then take out the ladder from bed.

STEP 17



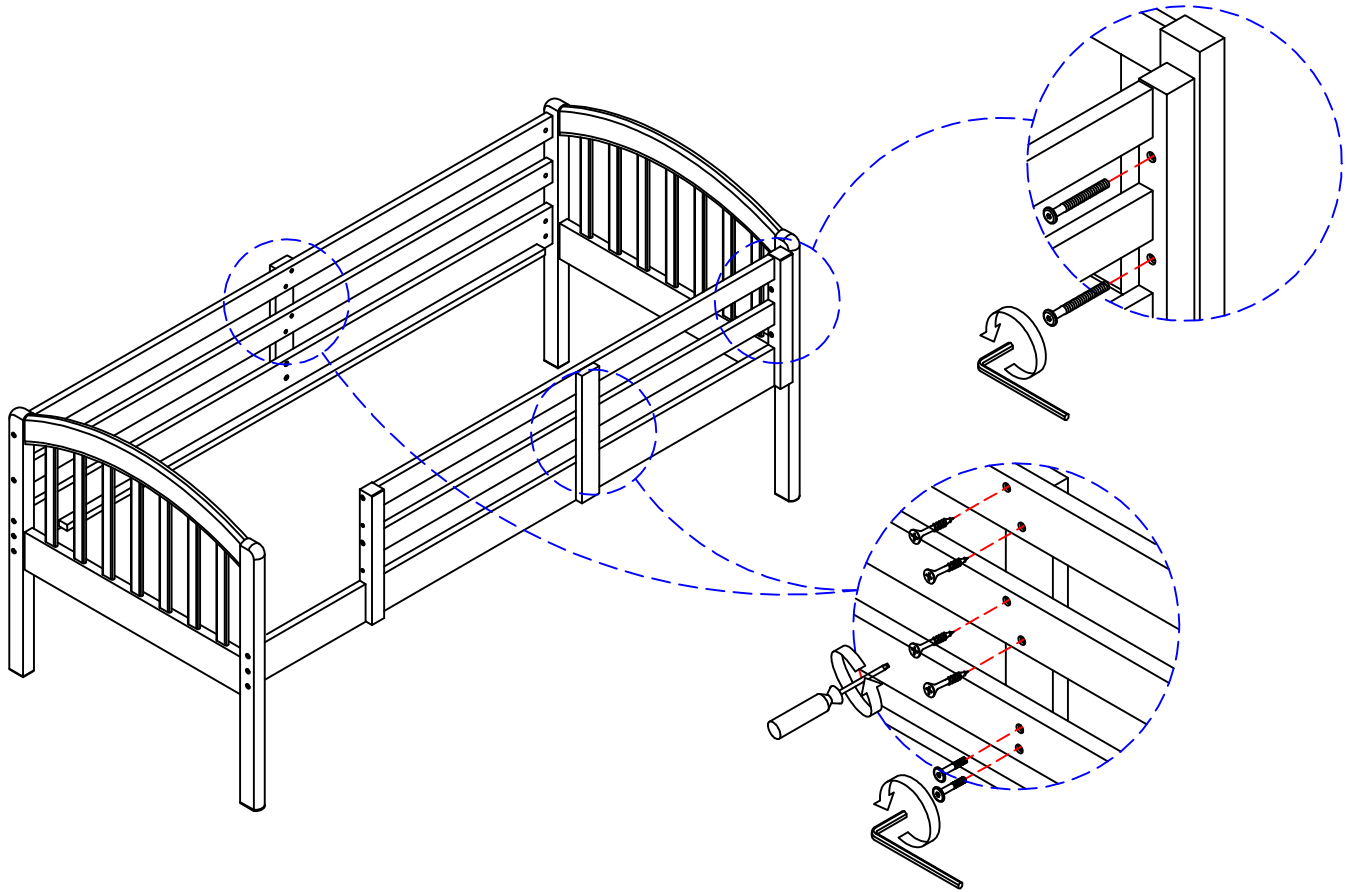
Lift the upper bed and remove metal pins.

STEP 18



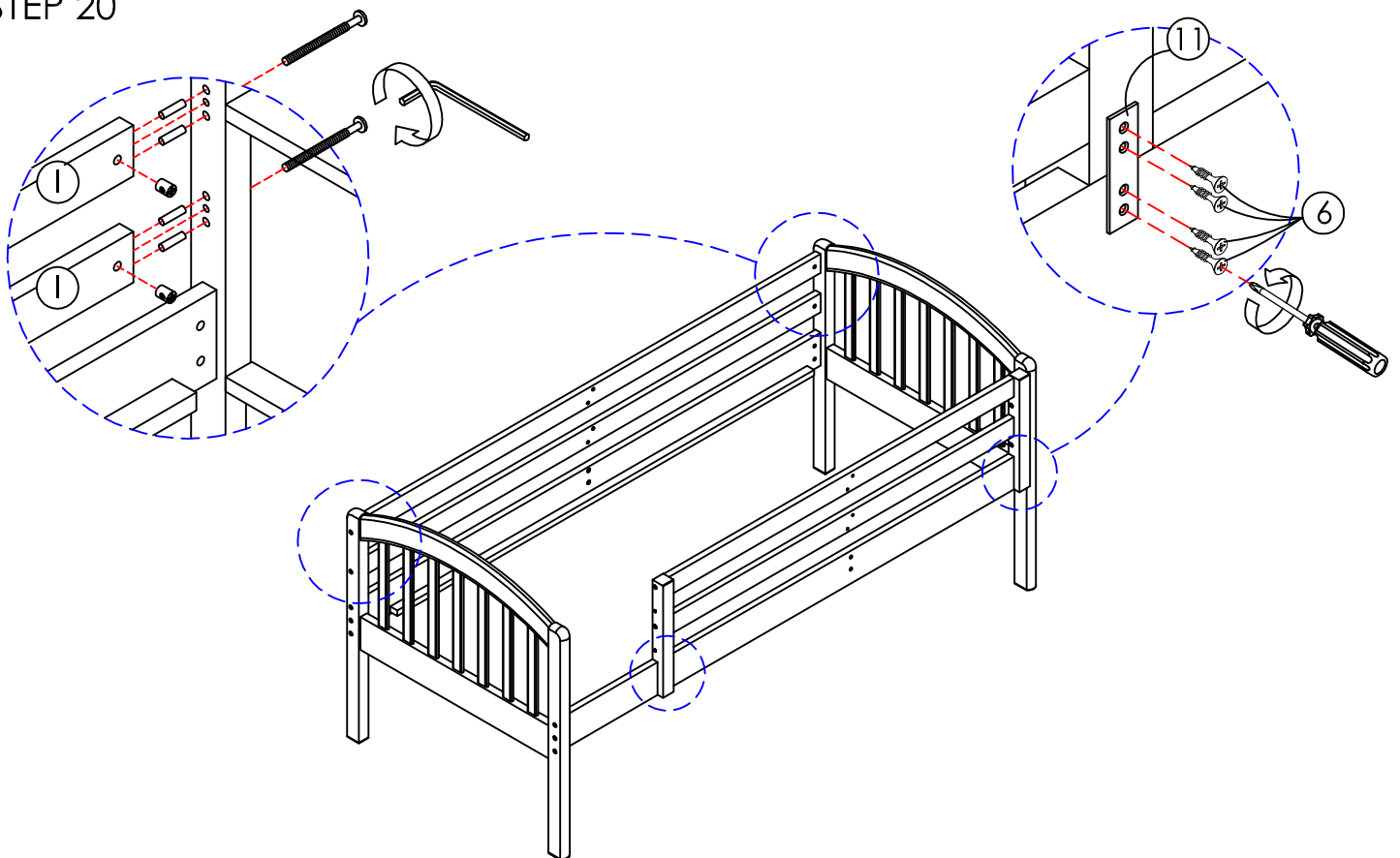
Unscrew the JCBC and WOOD SCREW, then lift the slats.

## STEP 19



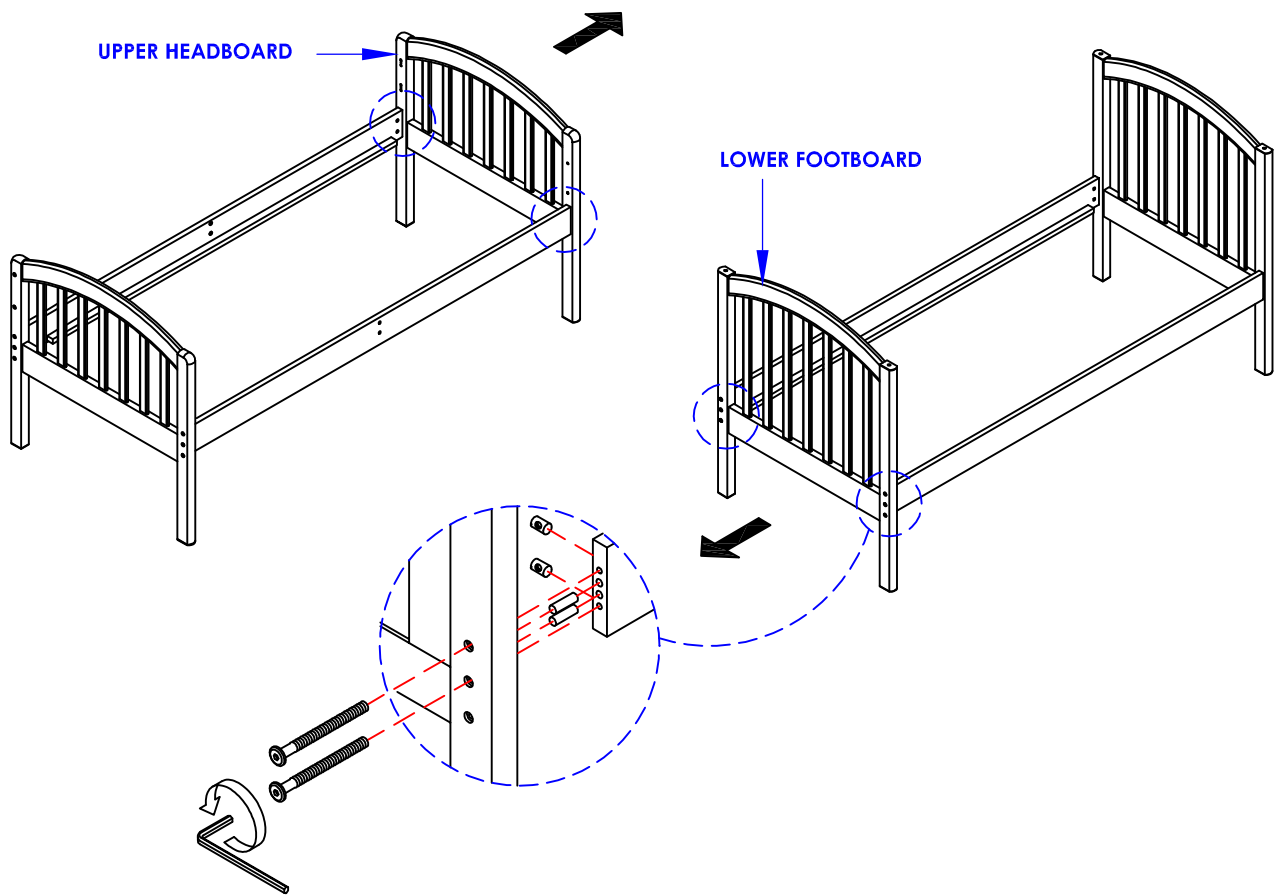
Unscrew the WOOD SCREW and JCBC as shown in picture.

## STEP 20



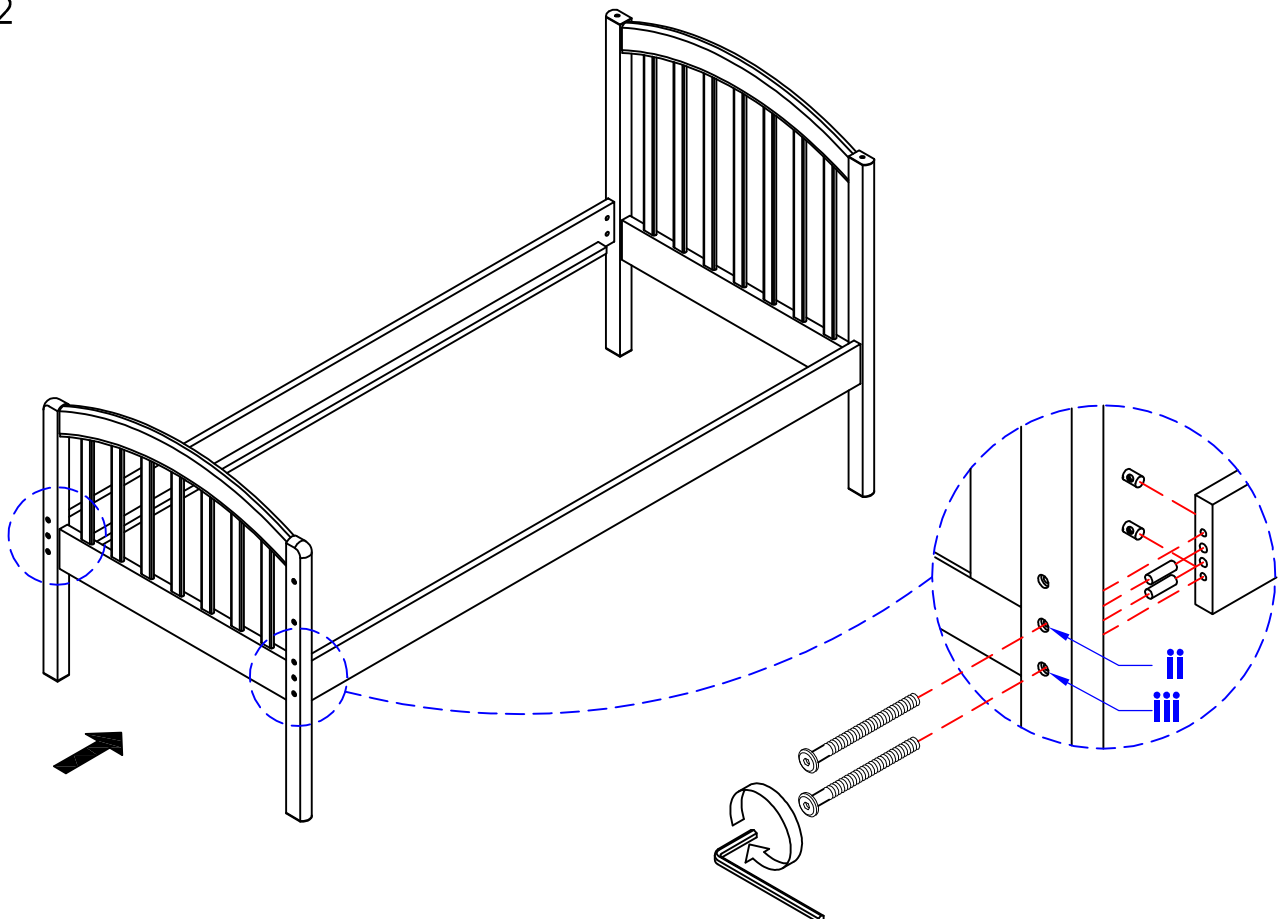
Remove front and rear guard rail.

## STEP 21



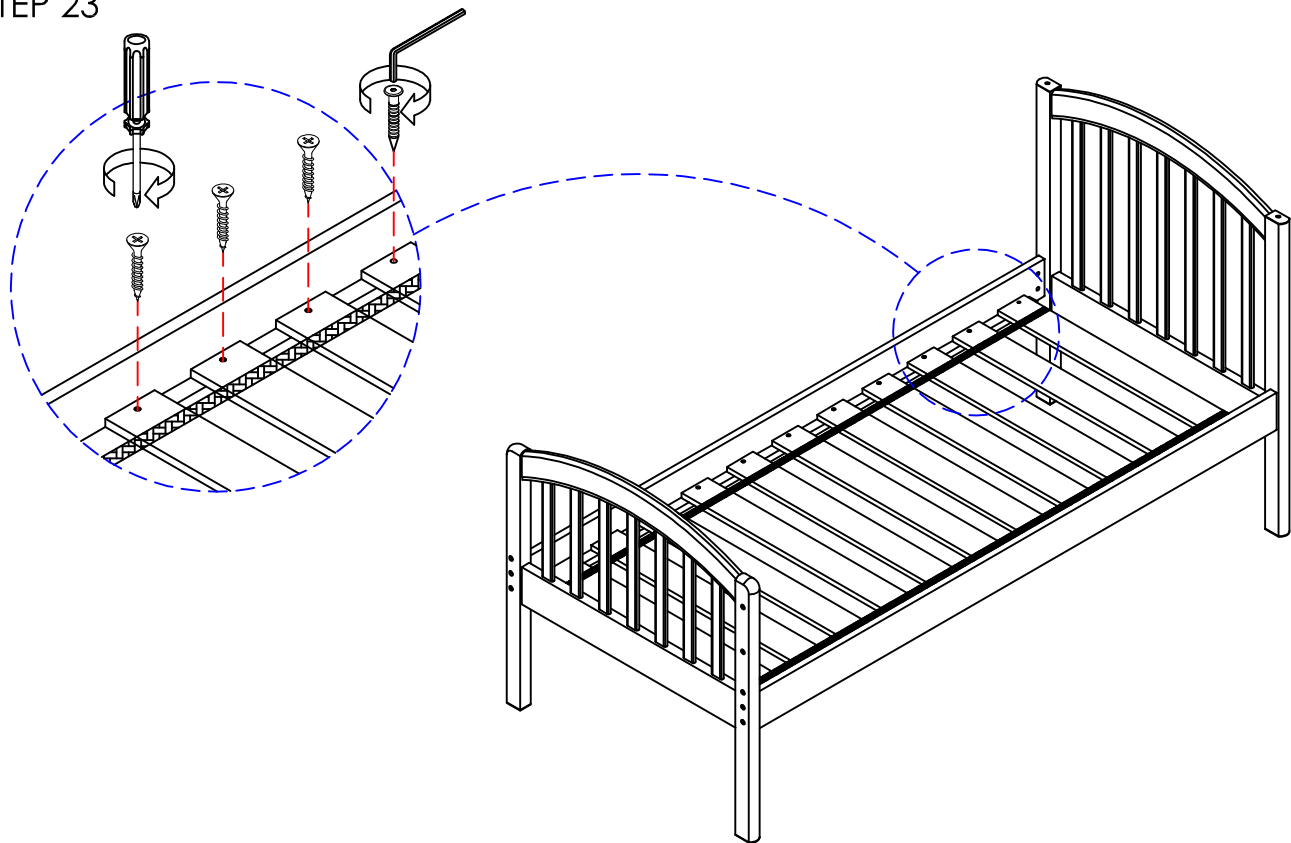
Loosen the JCBC at the upper footboard and lower headboard.

## STEP 22



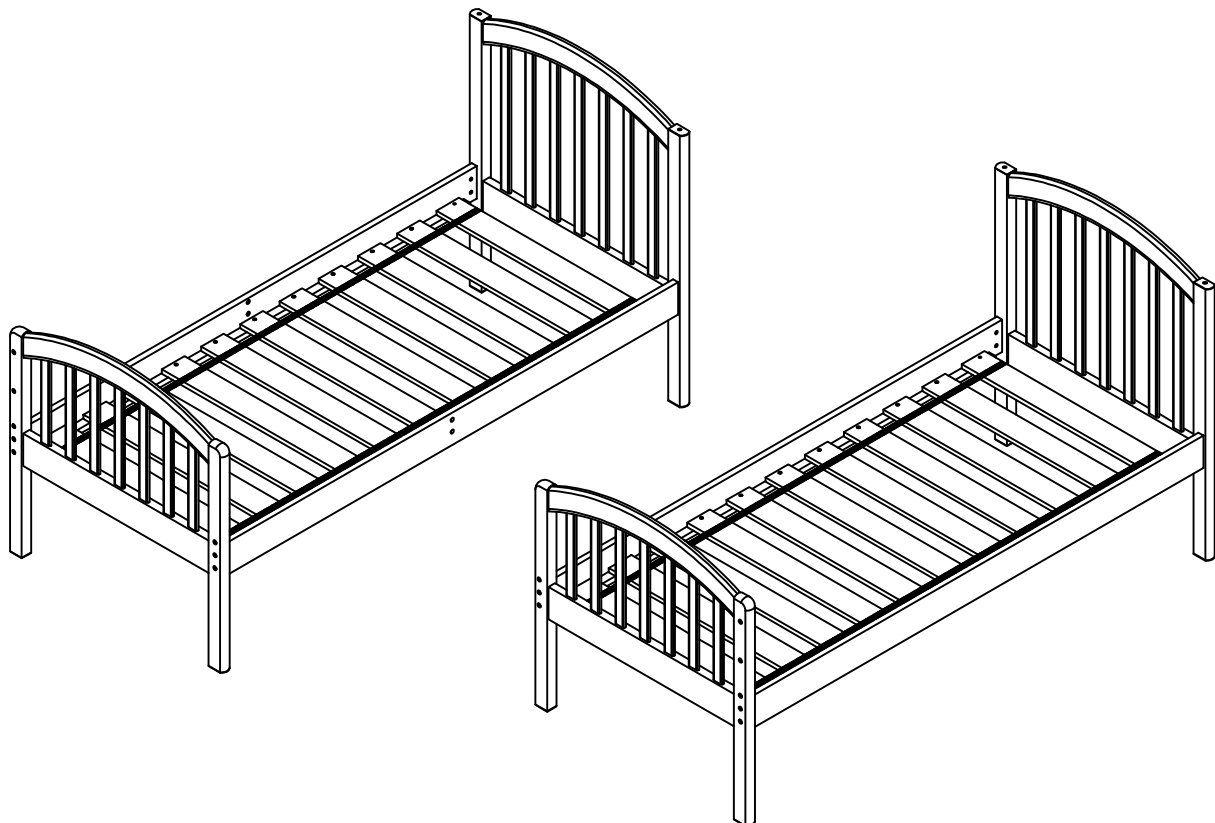
Replace the lower Footboard with upper headboard as shown in picture.  
Please make sure using bolt hole (ii & iii).

STEP 23



Tighten slat with JCBC-W and WOOD SCREW as shown in picture.

STEP 24



Repeat the same step 21 - 23 to construct another single bed.

## **Cleaning :**

Using a clean, washable cloth made of soft, lint-free cotton, such as an old T- shirt. (The cloth should have no buttons, zippers or anything that could scratch furniture surfaces. ) The fabric should be moistened with water or cleaning agent, but just enough to make dust adhere to it; if you can see any trace of liquid on the wood after you wipe, your cloth is too damp. Alternatively, you can use another cloth to remove the excess moisture.

## **Maintenance :**

### **Periodic Structural Checks**

The most important thing that you can do is to keep a close eye on the structure and stability of the bed. Give it a thorough once over every two-three months to check for loose, nuts, bolts and other connectors. Repair and replace any part that seems loose or faulty. This will keep the bed stable and secure at all times.