

Type: _____

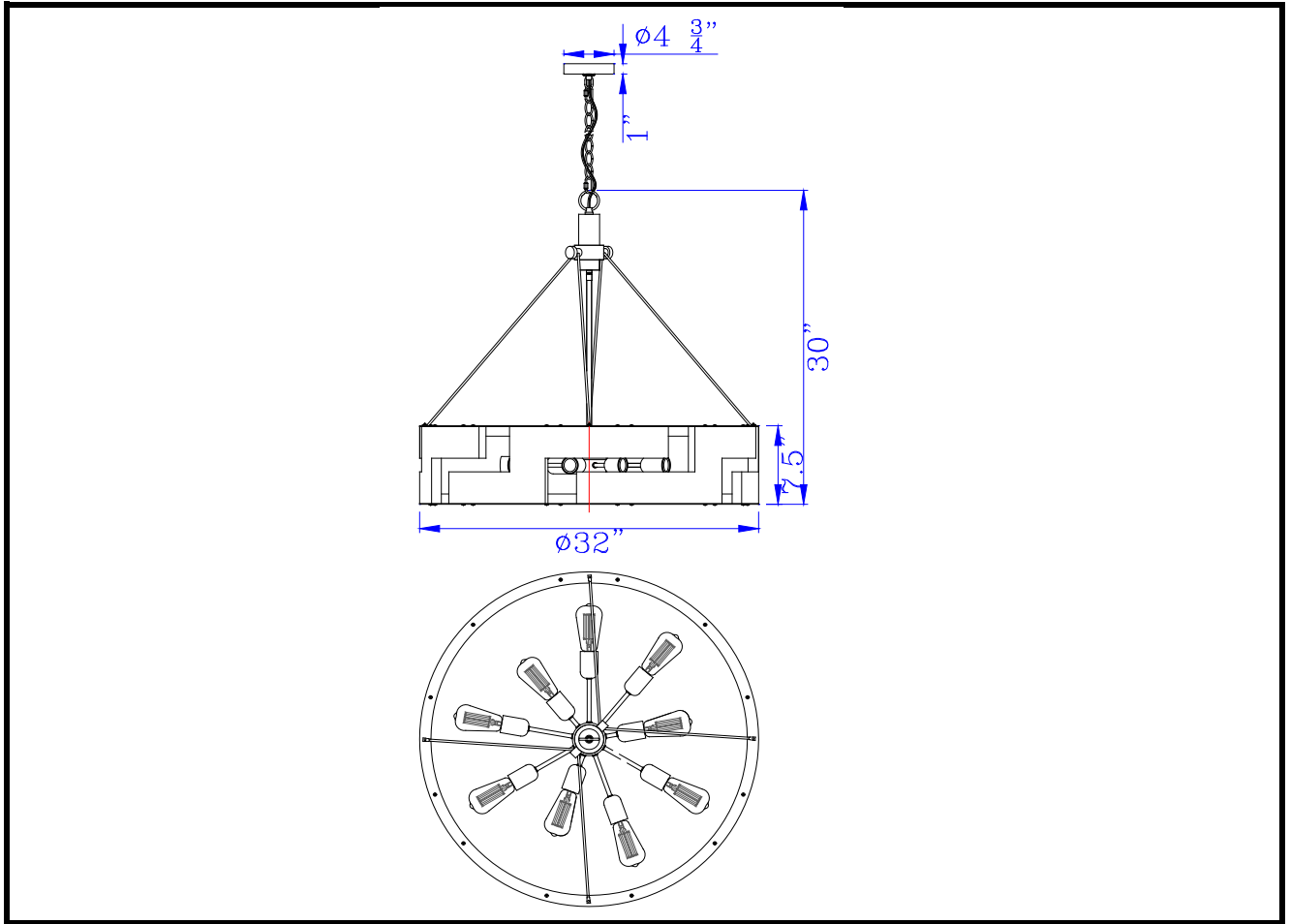
Project: _____

Catalog No.: _____

Lamp/Wattage: _____

Specifications subject to change without notice

Drawing:



Description: 60W x 9 Metal and wood chandelier

Material: Metal / Wood

Finish : Smoky wood

Height: 30"

Width: 26"

Wattage : 60WX9

Socket : Medium Base (E26)

Bulb: Incandescent

Chain Length:

Wire Length: 6'

Wire Color: Black

Shade No: None

Material: None

Shade size: None

Certificate : 