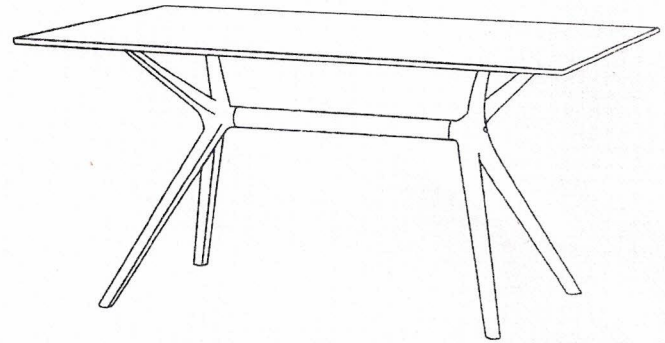


**Component List:**

No.	Pictures	Quantity
A		1PC
C		1PC
E		4PCS
G		4PCS
I		4PCS
K		1PC

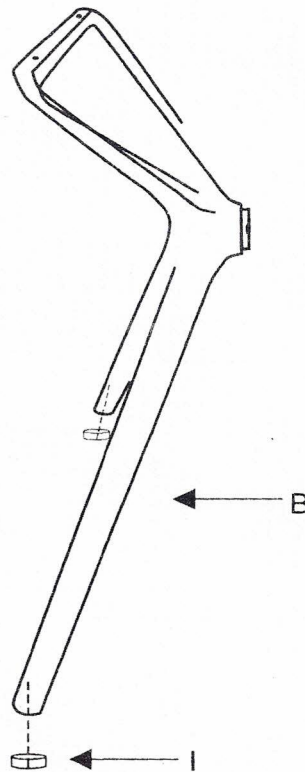
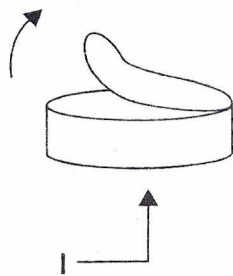
No.	Pictures	Quantity
B		2PCS
D		2PCS
F		2PCS
H		2PCS
J		2PCS
L		1PC

**ASSEMBLY INSTRUCTION**



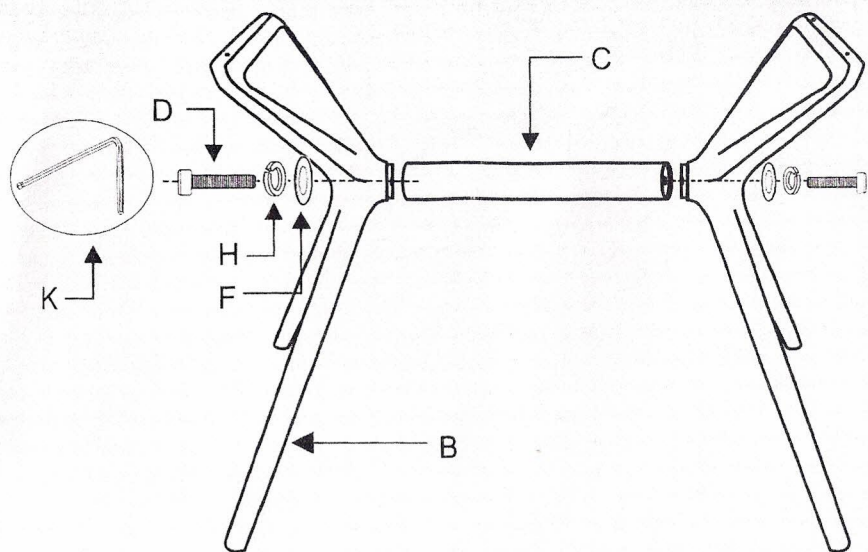
**1<sup>st</sup> step**

**To put on foot pads**



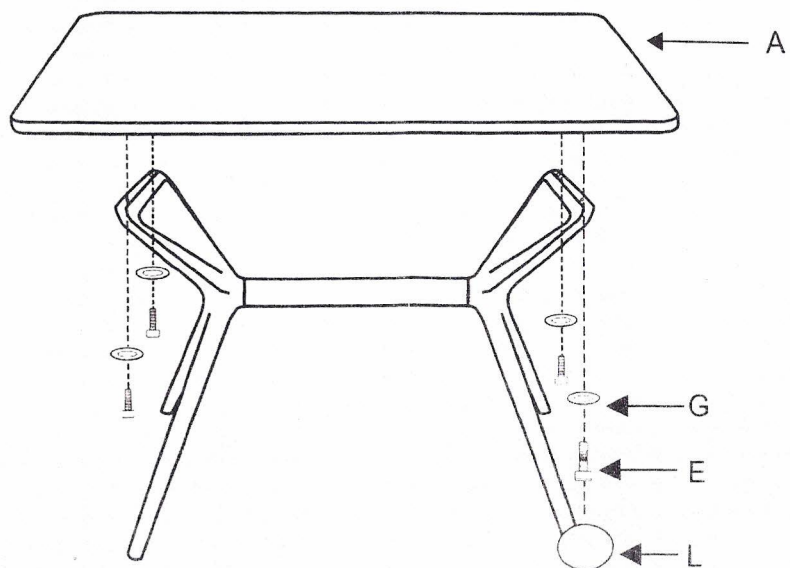
2<sup>nd</sup> step

To tighten the screws slightly  
Do not tighten the screw completely



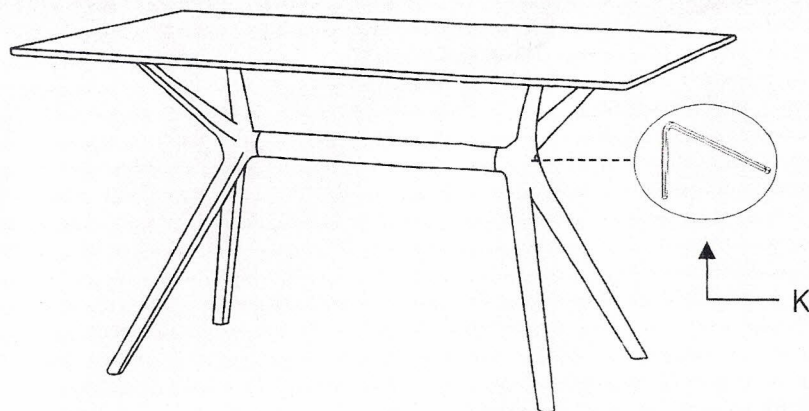
3<sup>rd</sup> step

To tighten the screws between the  
table top and table legs



4<sup>th</sup> step

To tighten the screw completely



5<sup>th</sup> step

To put on stoppers

