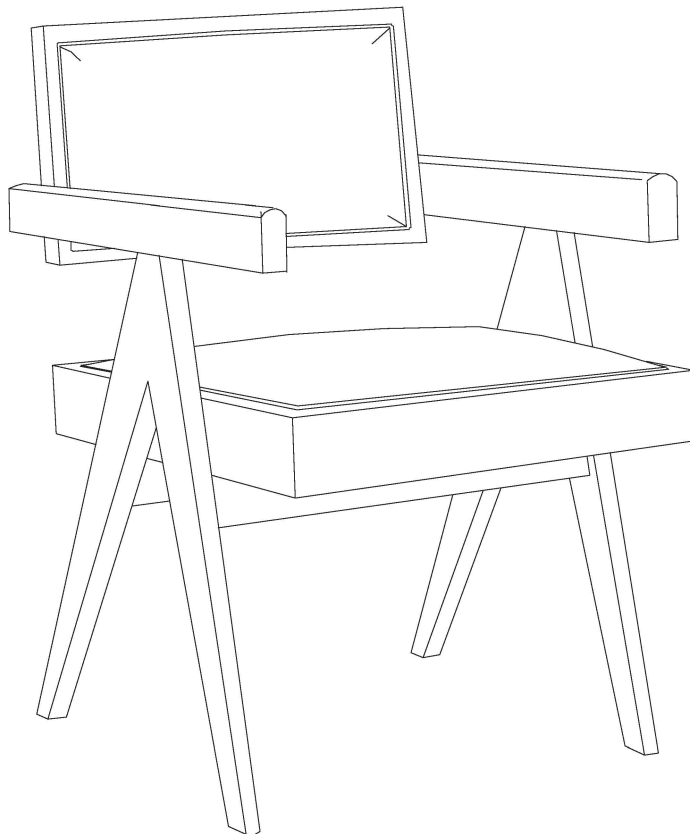


Installation & Assembly

TOOLS REQUIRED

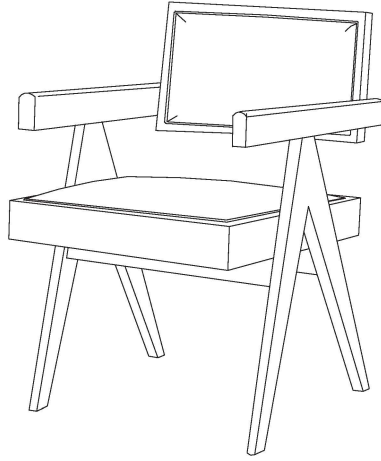


Allen Wrench
(Included)



Mallet
(Not Included)

Enjoy this product? We'd love your 5-star review!
If you have any issues, our support team is happy to help.



CHECK BEFORE STARTING

Are you missing anything?

Please double check all hardware and parts match the assembly guide before putting the product together. If damaged, we suggest you put the item back in the box and start your claim or return.

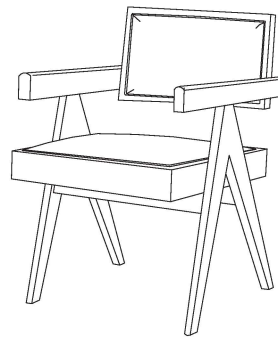
Should we send any replacements?

If there are any manufacturer defects or missing pieces, please contact us for replacements. If purchased online, please contact the website of where you purchase it from, DIRECTLY.

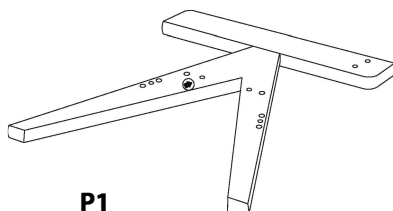
IMPORTANT INFO before assembly:

- If there's a problem with the parts do not attempt to assemble the product.
- Place all parts on a clean and smooth surface such as a rug / carpet to avoid parts from being scratched.
- When tightening screws to product do not overtighten until product is fully setup.
- If product is too heavy for a single person to carry do not attempt and ask for assistance.
- DO NOT DRAG or PUSH item to desired location. Must be carried when moving.
- If item is not working as intended, please review the assembly guide to see if any steps were missed or incorrectly built. If there's a problem with part, please contact seller for additional assistance.
- Please keep all hardware and small parts away from pets / infants.
- Please wear gloves or protective gear to protect from getting cuts.
- It is normal for new furniture to have an off gassing smell. Please air out furniture near a window for a few hours or a day before placing it in its desired location.
- All products may have a slight color and texture variation due to different shipments, natural materials, screen resolutions, or lighting in home. Images are rendered by different devices or websites.

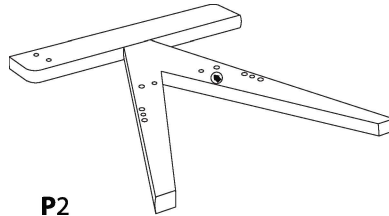
- Please keep instructions for future reference.
- Check the quantity and irregularity of parts and hardware before you start.
- If assembly guide is misplaced, please visit our website for copy



Part List (Two chairs)

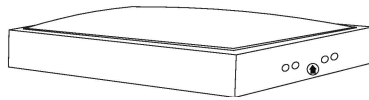


P1
LEG FRAME-Right.
with arrow sticker
2 pcs

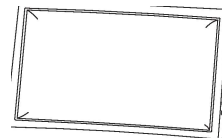


P2
LEG FRAME-Left
with arrow sticker
2 pcs

P3
SUPPORT RAIL
4 pcs



P4
CHAIR SEAT
with arrow stickers
2 pcs



P5
BACKREST
2 pcs

Hardware List (Two chairs)



H1
JCBC Bolt
M6 x 35mm
16 pcs



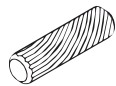
H3
Spring Washer
M6 x 12mm
24 pcs



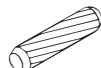
H4
Flat Washer big
M7x 19mm
8 pcs



H5
Flat Washer small
M7x 15mm
8 pcs



H6
Wooden Dowel
M10 x 30mm
16 pcs



H7
Wooden Dowel
M8 x 30mm
16 pcs



H8
Wooden Button
8 pcs



H9
Allen Wrench
1 pc







H10
Nylon glide
8 pcs

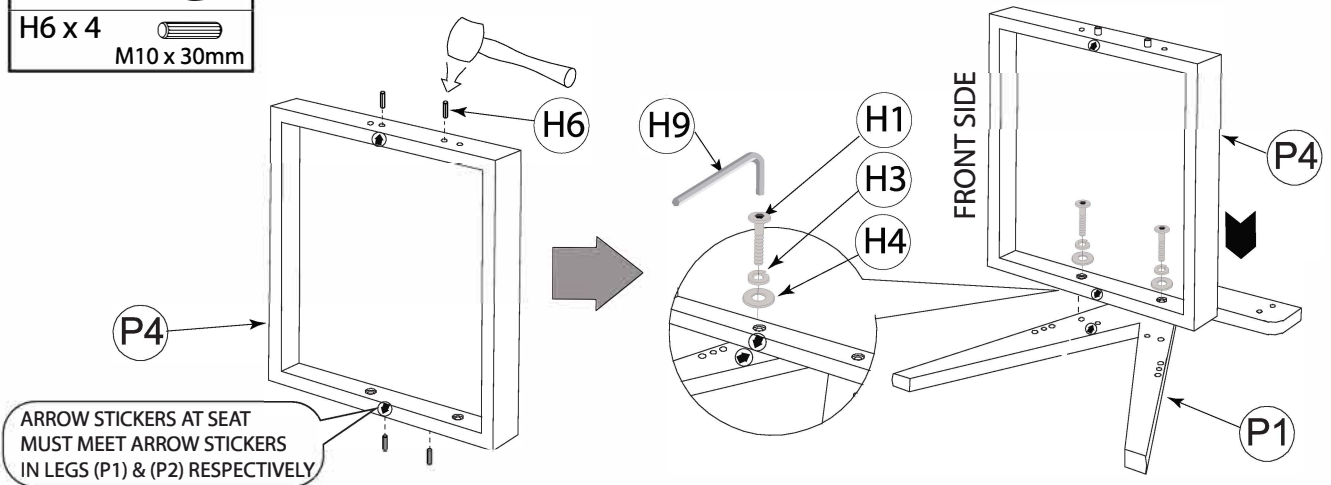
If any parts/hardware listed are damaged or missing,
Please contact the seller for additional assistance

ASSEMBLY STEPS




STEP 1

H1 x 2		M6 x 35mm
H3 x 2		
H4 x 2		
H6 x 4		M10 x 30mm

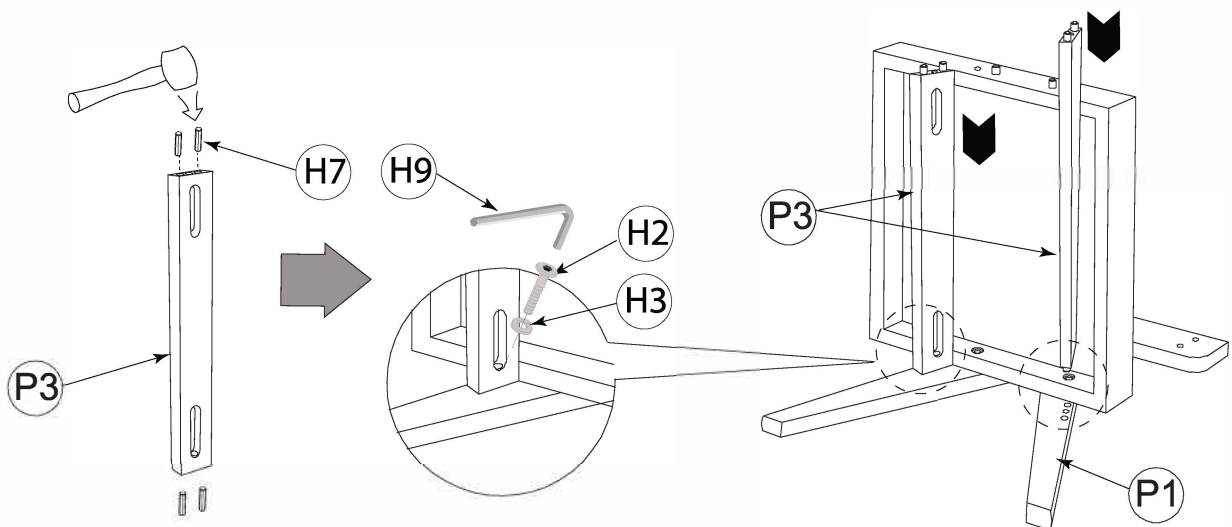
Prepare the Seat (P4) by inserting the Wooden dowel (H6) into the desired holes. Attach the Seat (P4) to the Leg frame by locating the dowels into the desired holes in the Leg (P1). Match the ARROW stickers to ensure the seat is in the correct position. Then, align Screw (H1) with Spring washer (H3) & Flat washer Big (H4). Tighten it using Allen key (H9).



STEP 2






H2 x 2		M6 x 50mm
H3 x 2		
H7 x 8		M8 x 30mm

Prepare the Support rails (P3) by inserting the wooden dowels (H7) into the desired holes. Then, assemble both Support rails (P3) into the desired holes in the Leg frame. Align Bolt (H2) with Spring Washer (H3) & tighten it using Allen key (H9).

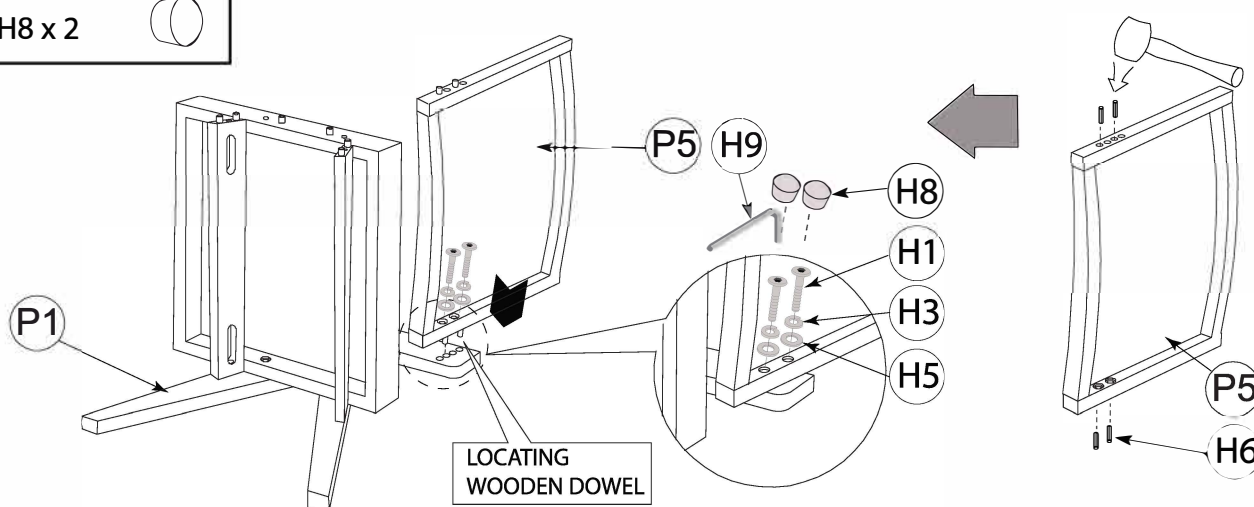


ASSEMBLY STEPS

STEP 3

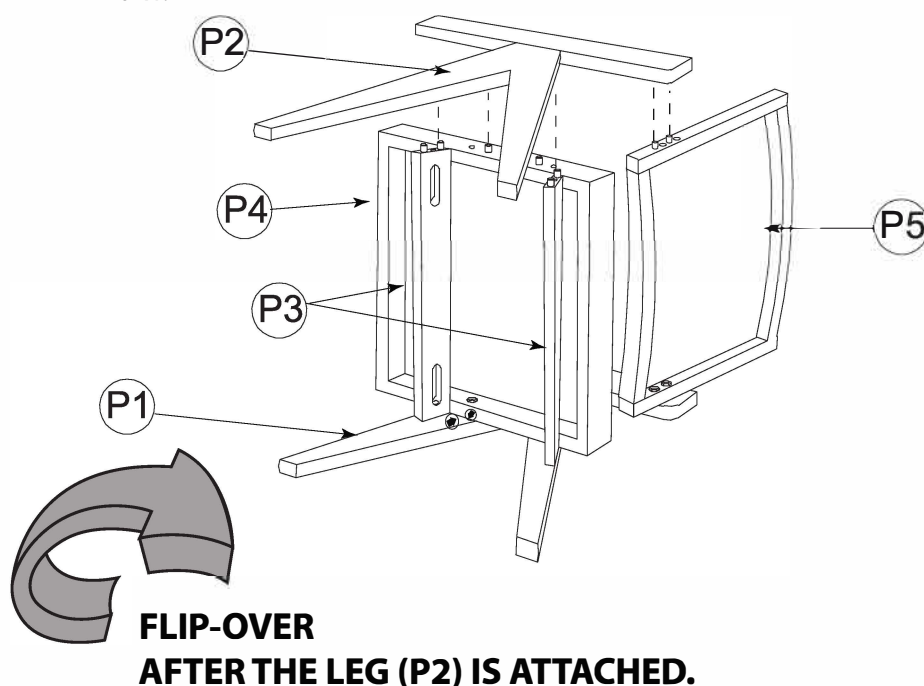
H1 x 2	 M6 x 35mm
H3 x 2	
H5 x 2	
H6 x 4	 M10 x 30mm
H8 x 2	

Prepare the Backrest (P5) by inserting the Wood dowel (H6) into the desired holes at the backrest. Then, attach the Backrest (P5) by locating the wood dowel at the backrest into the desired holes at the armrest. Align Bolt (H1) together with the Spring washer (H3) & Flat washer Small (H5). Tighten it using Allen key (H9). Tap the Wood button (H8) to cover the holes.



STEP 4

Prepare the other side of the leg: the Leg frame-Left (P2). Attach it to the parts of (Seat P4), Support rail (P3) & Backrest (P5), by locating the wood dowel at those parts to the desired holes in the Leg (P2). Use a rubber mallet to tap the leg frame until all the parts are snug to the leg frame. Then, carefully flip the chair to the other side as a preparation to align the bolts into the respective holes.






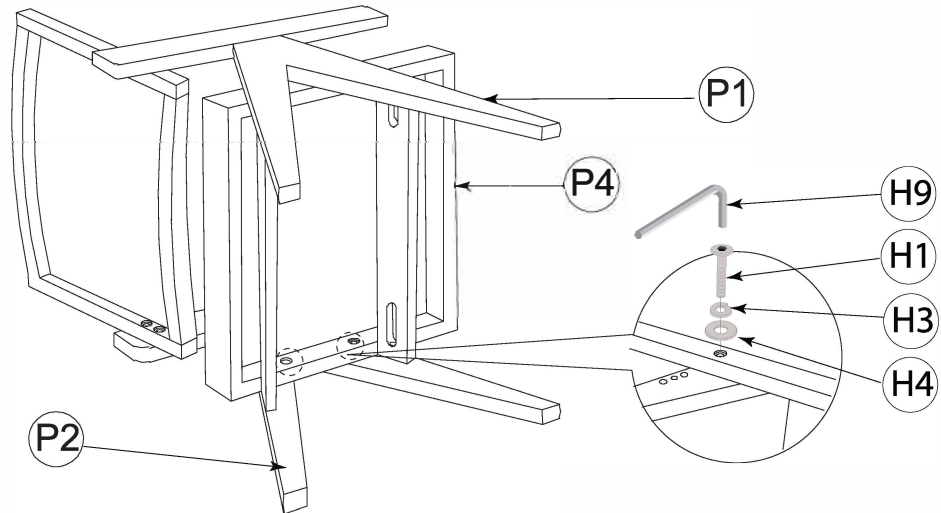
ASSEMBLY STEPS

STEP 5

FITTING TO THE SEAT

Start with fitting the leg to the seat by aligning Screw (H1) with Spring washer (H3) & Flat washer Big (H4). Tighten it using Allen key (H9).



H1 x 2	 M6 x 35mm
H3 x 2	
H4 x 2	

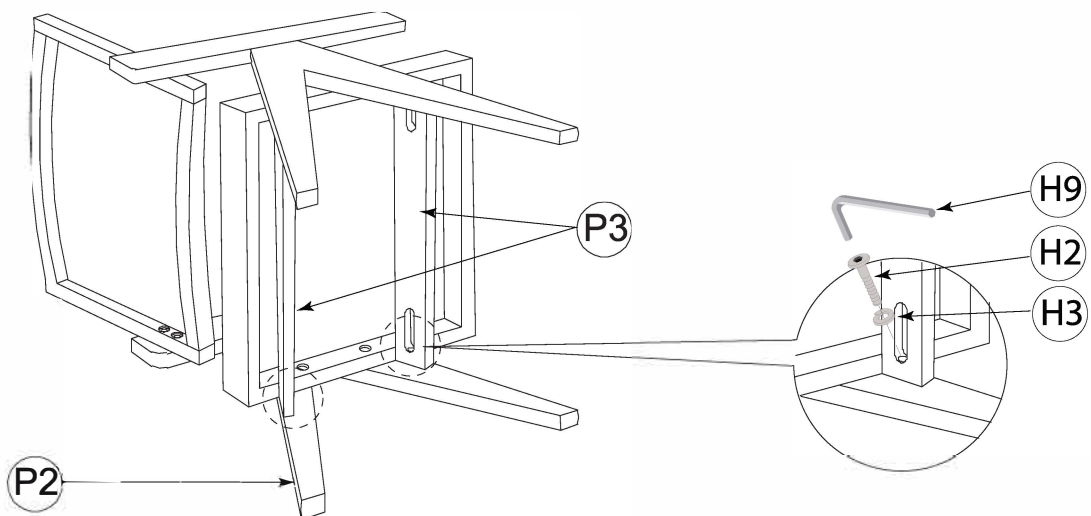


STEP 6

FITTING TO THE SUPPORT RAILS

And continue with fitting to the Support rails (P3), by Aligning Bolt (H2) with Spring Washer (H3) & tighten it using Allen key (H9).

H2 x 2	 M6 x 50mm
H3 x 2	



IMPORTANT!

Please keep Allen wrench in a safe place as you may need to tighten up the Bolts in future.

Use a soft cloth between these parts and the floor.

After assembly, item must be level to work properly.





ASSEMBLY STEPS

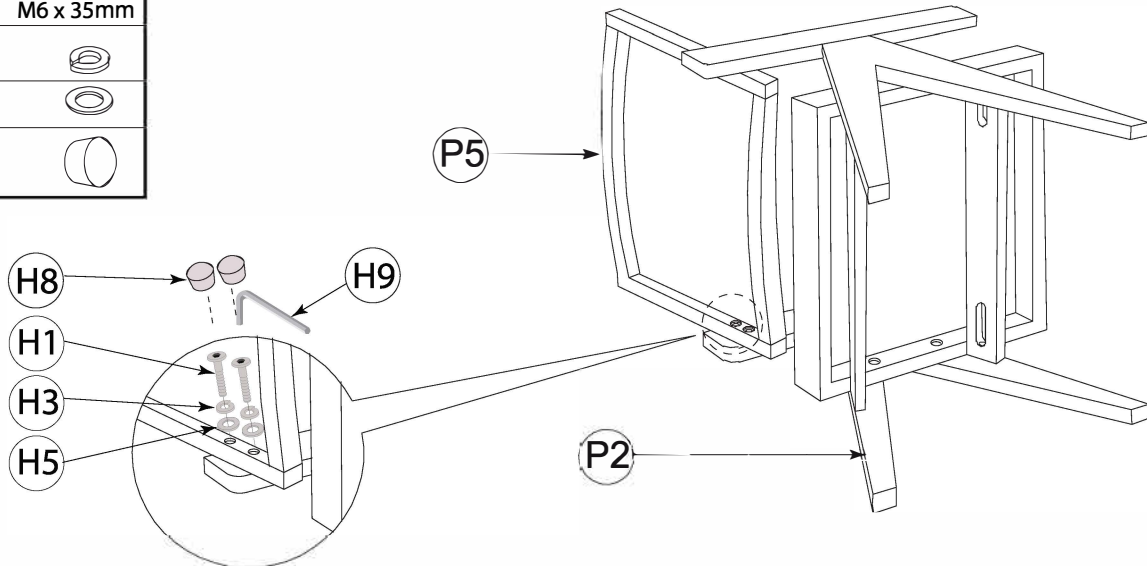
STEP 7

FITTING TO THE BACKREST

Lastly, fit the leg to the Backrest by Aligning Bolt (H1) together with the Spring washer (H3) & Flat washer Small (H5). Tighten it using Allen key (H9).


Tap the Wood button (H8) to cover the holes.

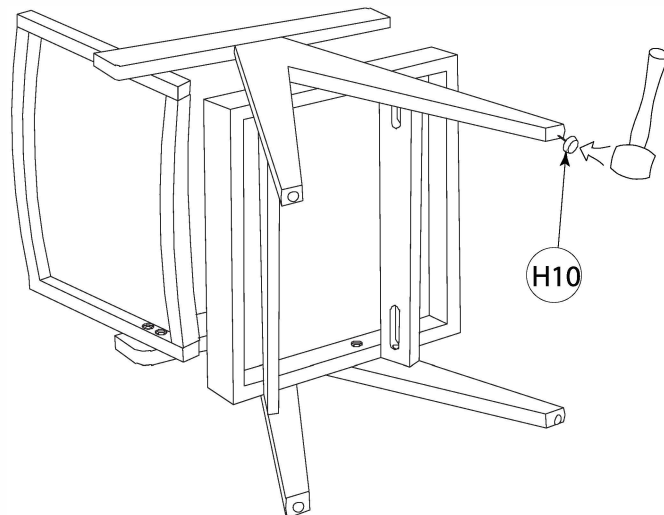
H1 x 2	
M6 x 35mm	
H3 x 2	
H5 x 2	
H8 x 2	



STEP 8

Before putting the chair upright, tap the Nail leg (H10) into the under edge of all the legs.

H10 x 4	
---------	---



ASSEMBLY COMPLETED

- ✓ Please ensure the furniture rests on an even and flat surface. If the product wobbles or feels loose, double-check all bolts and/or screws are properly tightened and secured
- ✓ **Keep this handy!** Please retain this instruction manual and any order-related information for future reference.
- ✓ **Lift, don't drag!** To avoid damage to product, please always LIFT the product when transporting or adjusting the placement.

PLEASE MAKE SURE ALL THE BOLTS ARE FULLY TIGHTEN BEFORE USING THE CHAIR.

This product is intended for RESIDENTIAL USE ONLY and not for commercial use.