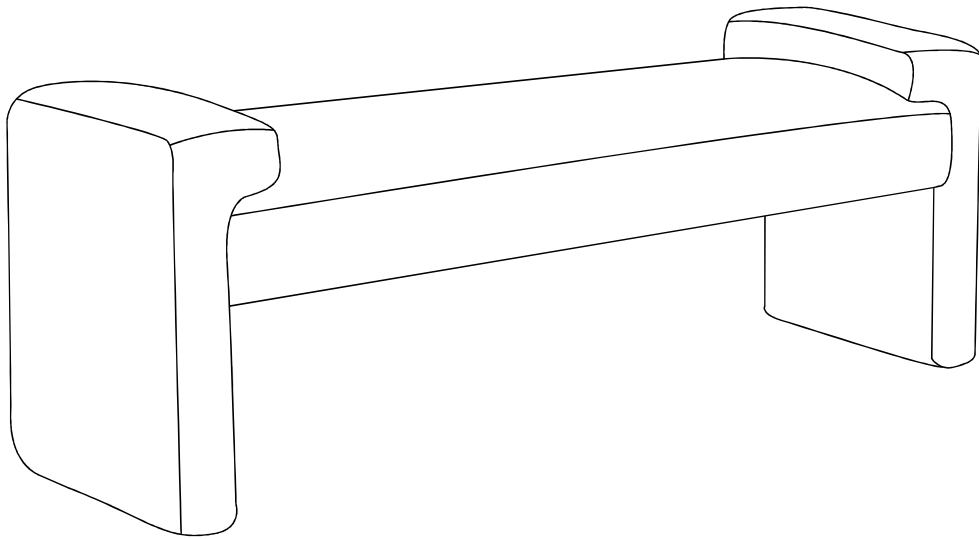
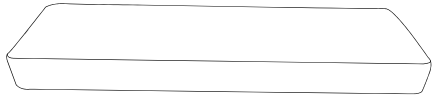


Assembly instructions



Packing List

A



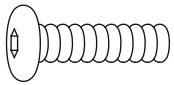
Cushion 1 pc

B



Armrests 2 pcs

C



Screws
10+1 pcs

D



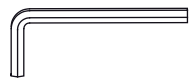
Flat Washers
10+1 pcs

E



Spring Lock Washers
10+1 pcs

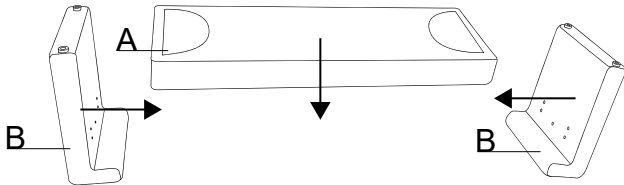
F



Allen Wrench
1 pc

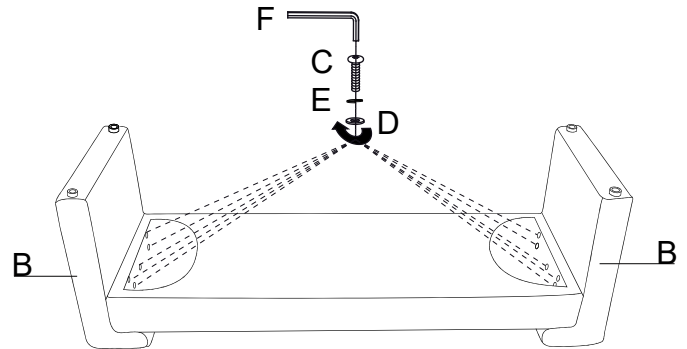
Step 1

Put the cushion on both armrests.



Step 2

Align the holes of the armrest with the cushion, then tighten 5 screws on each side to 80%. Finally, tighten all screws to 100%.



Step 3

Finished

