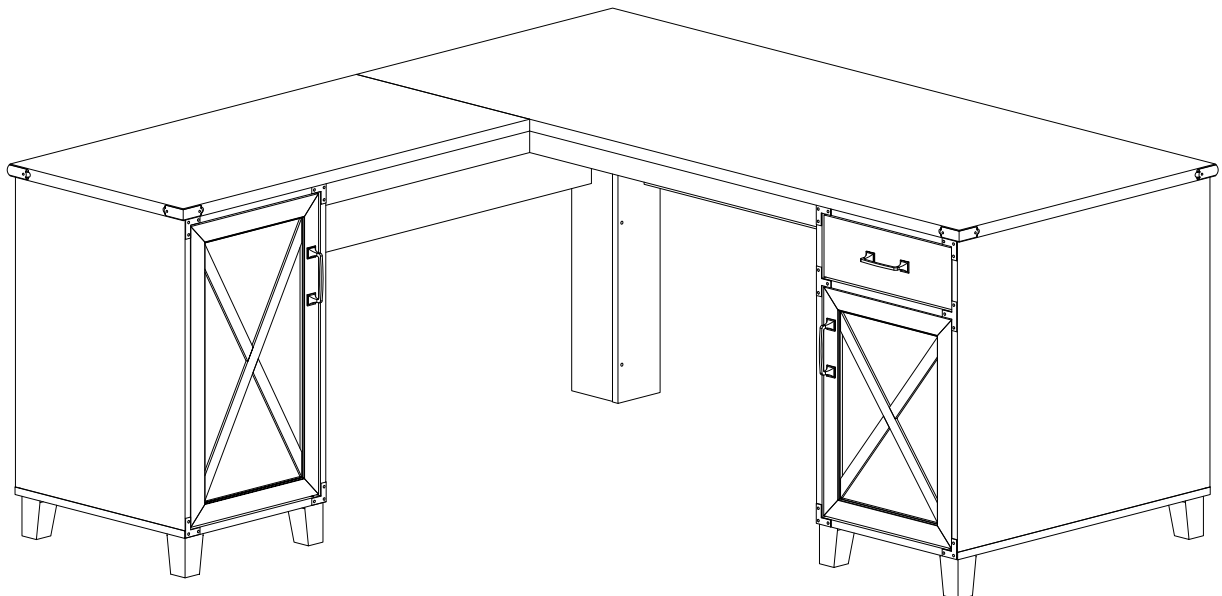


ASSEMBLY INSTRUCTIONS

Important Safety Instructions:

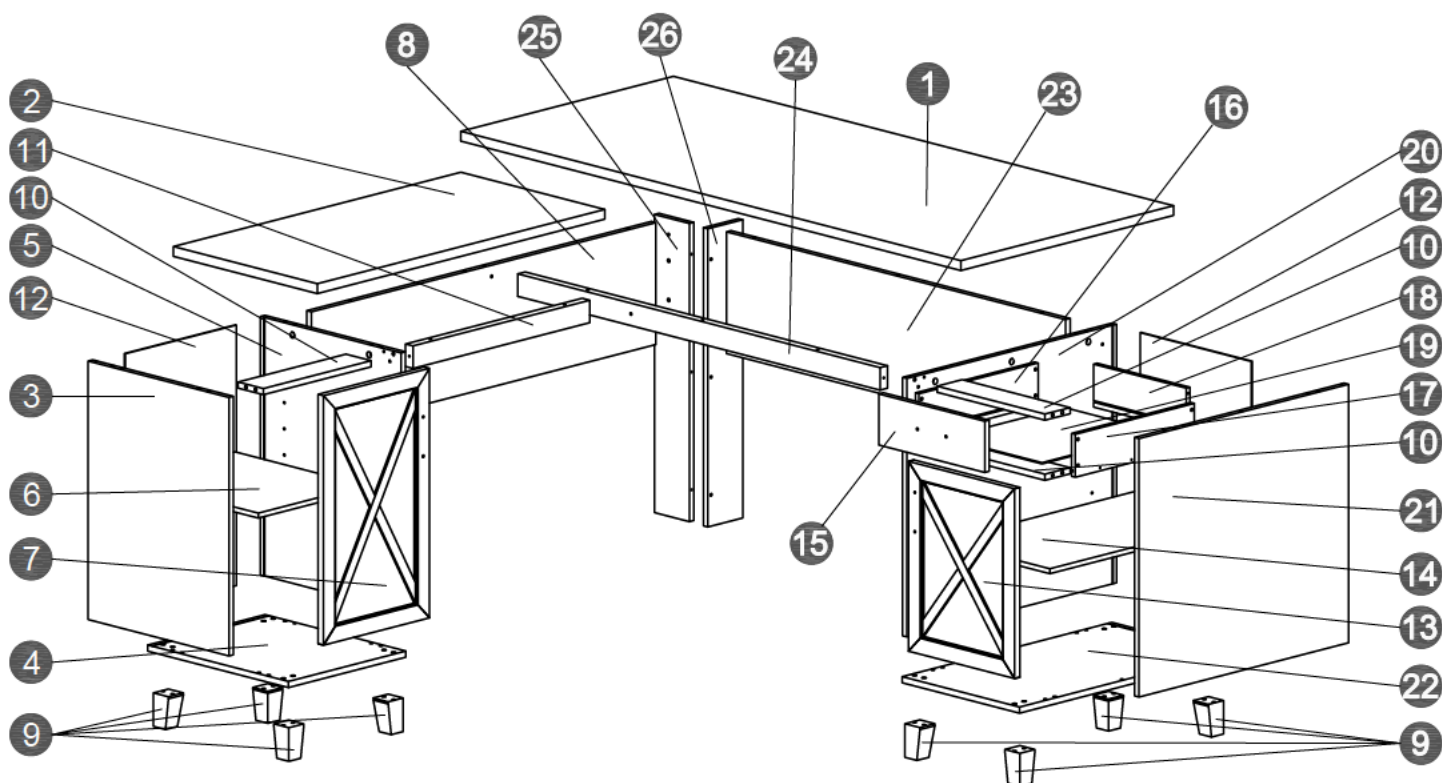
- Please read all instructions before beginning assembly
- Please make sure receive all the parcels to start the assembly
- For your safety and convenience, assembly by two people is recommended
- Use the parts and hardware lists to identify and separate each of the components included
- Save all packing materials until assembly is completed to avoid the accidental discarding of smaller parts or hardware






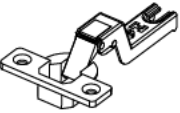
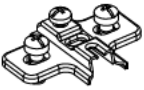

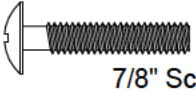
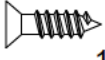
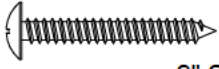

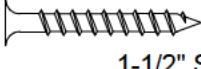
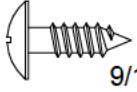
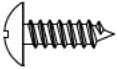

THANK YOU FOR PURCHASING

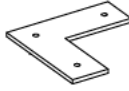
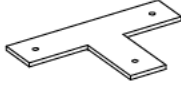

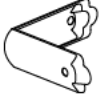
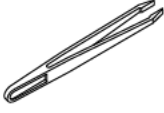




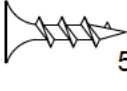

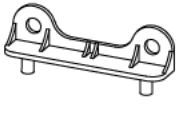
PARTS LIST

1 X1	2 X1	3 X1	4 X1	5 X1
6 X1	7 X1	8 X1	9 X8	10 X3
11 X1	12 X2	13 X1	14 X1	15 X1
16 X1	17 X1	18 X1	19 X1	20 X1
21 X1	22 X1	23 X1	24 X1	25 X1
26 X1				



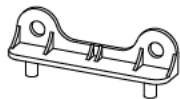
HARDWARE LIST

Name	Part	Qty.	Spare
A		23	1
B		23	1
C		30	2
D		4	
E		4	
F		3	
G	 7/8" Screw	6	1
I	 1/2" Screw	12	2
J	 2" Screw	9	1
K	 2" Screw	37	2
L	 1-1/2" Screw	4	1
M	 9/16" Screw	4	1
N	 1/2" Screw	4	1
O		30	3

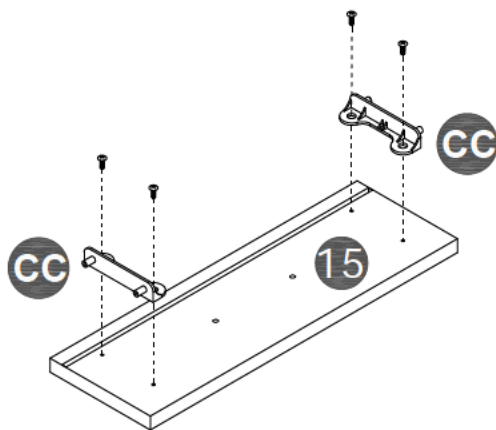
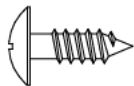
Name	Part	Qty.	Spare
P		8	
Q		2	
R	 5/6" nail	10	2
S		5	
U		1	
V	 16"	1	
W	 16"	1	
X	 16"	1	
Y	 16"	1	
Z	 5/8" Screw	8	
AA		8	
CC		2	

STEP 1

CC x 2pcs

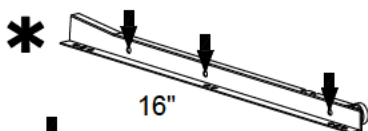


M x 4pcs

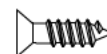


STEP 2

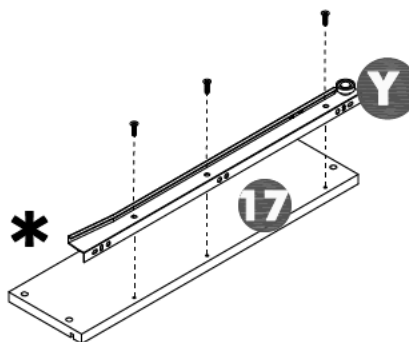
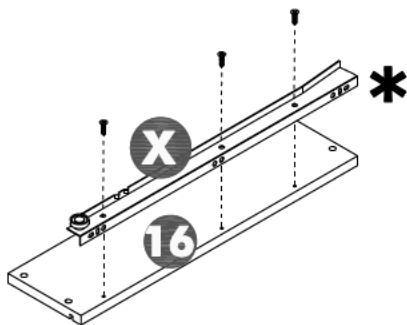
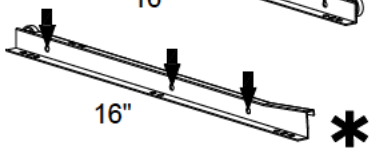
X x 1pc



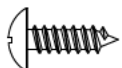
I x 6pcs




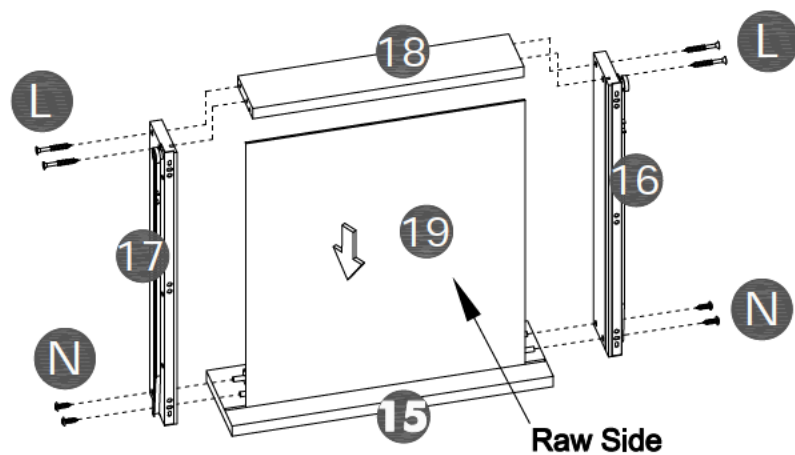
Y x 1pc



STEP 3

N x 4pcs 

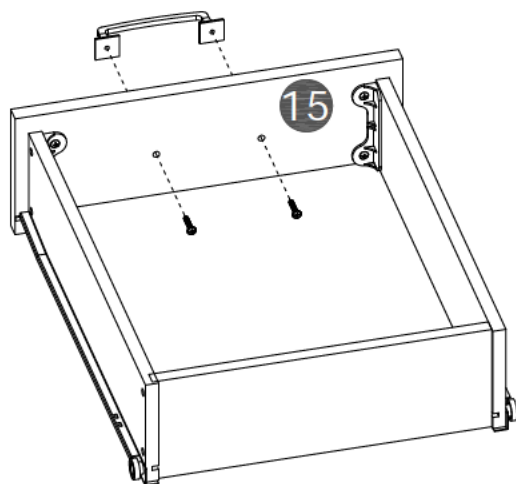
L x 4pcs 



STEP 4

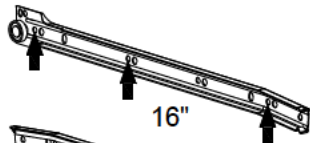
F x 1pc 

G x 2pcs 

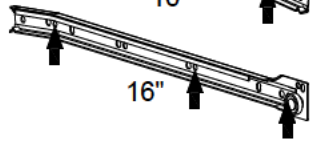


STEP 5

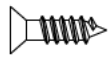
V x 1pc



W x 1pc



I x 6pcs



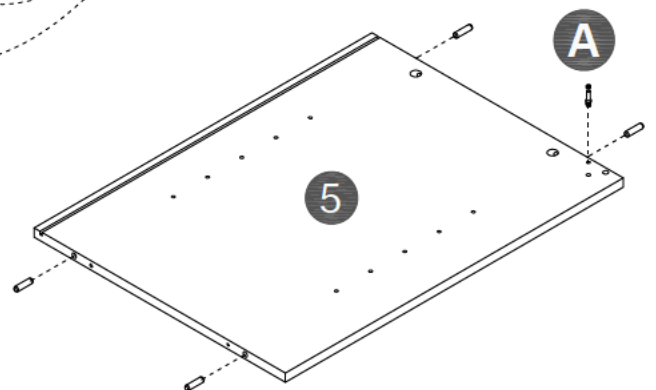
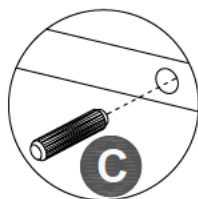
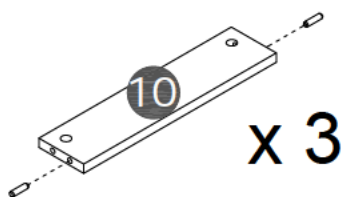
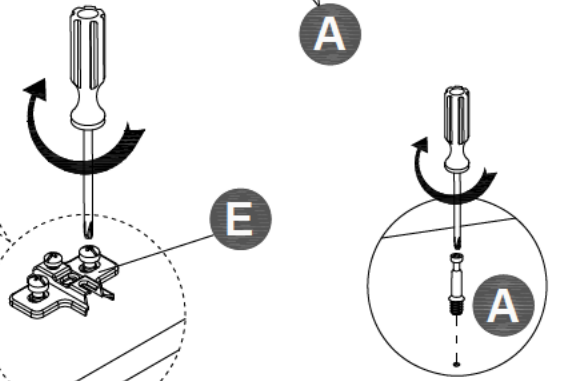
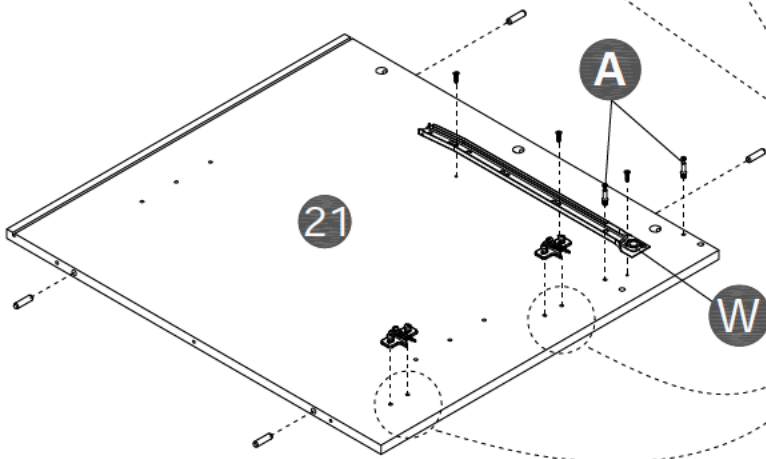
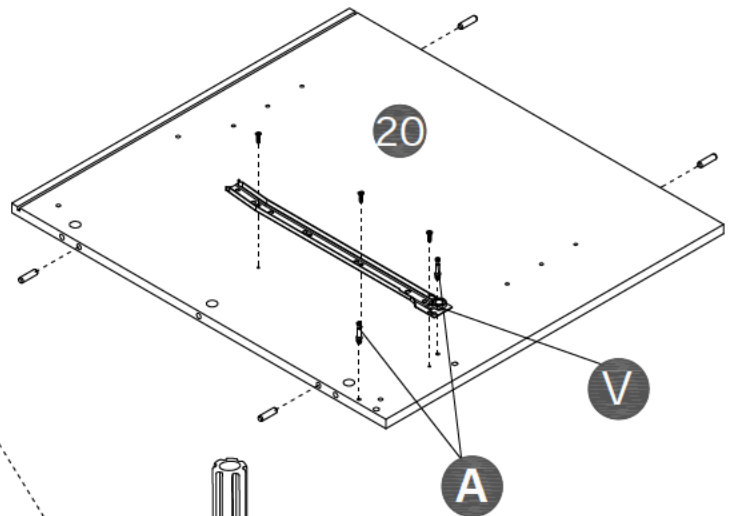
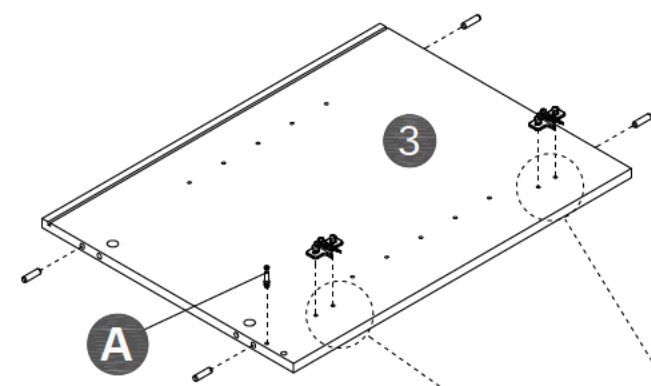
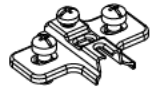
A x 6pcs



C x 22pcs

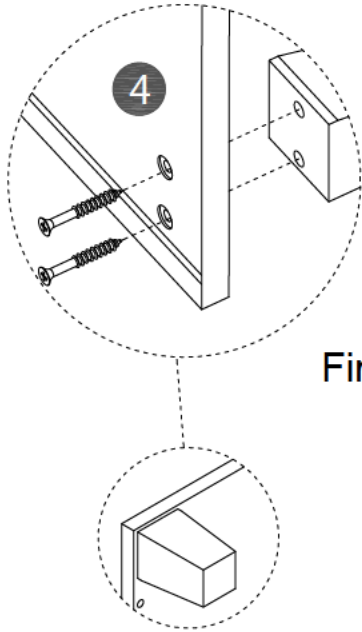
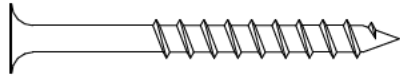


E x 4pcs

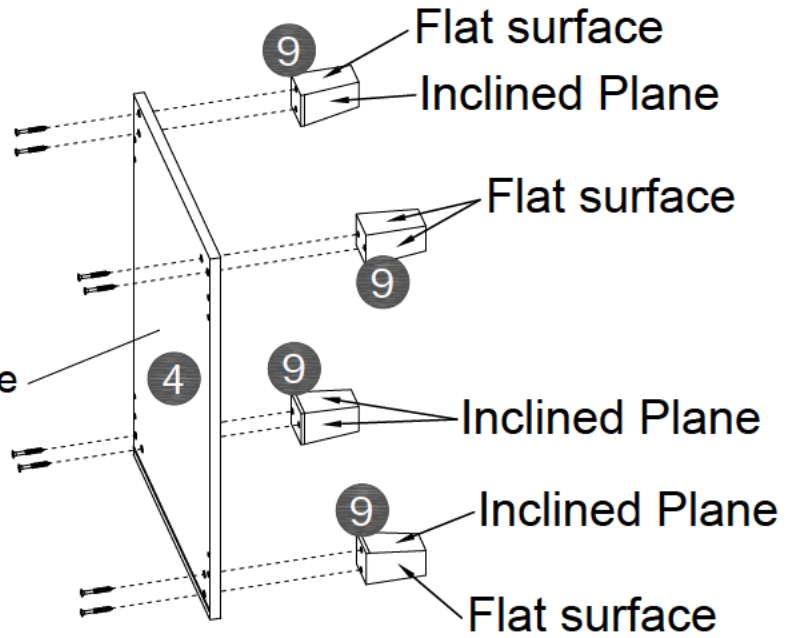


STEP 6

K x 8pcs



Finished Side

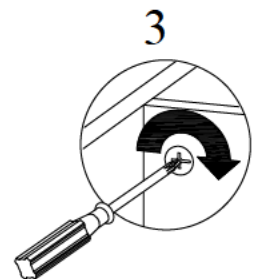
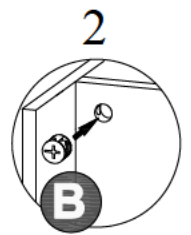
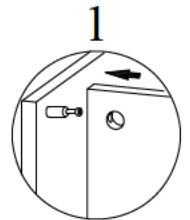
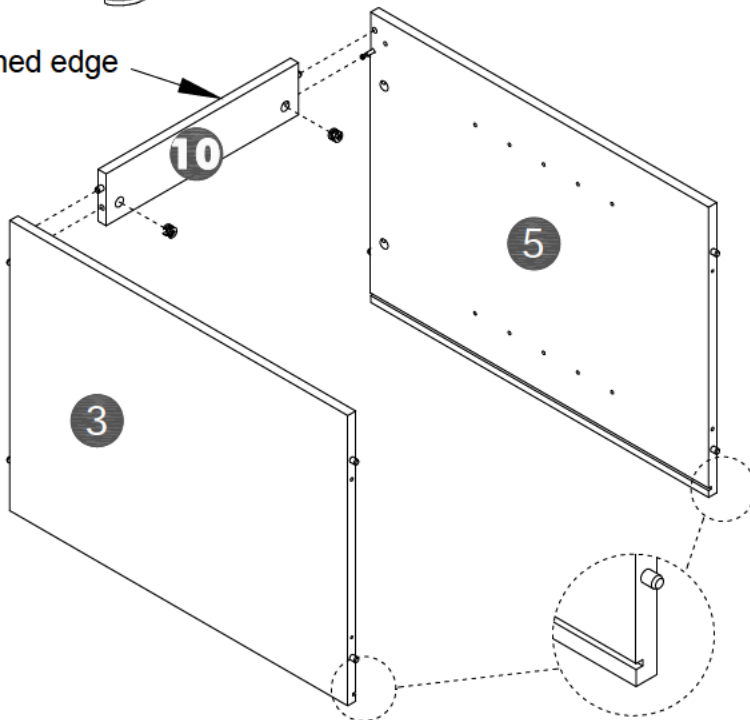


STEP 7

B x 2pcs

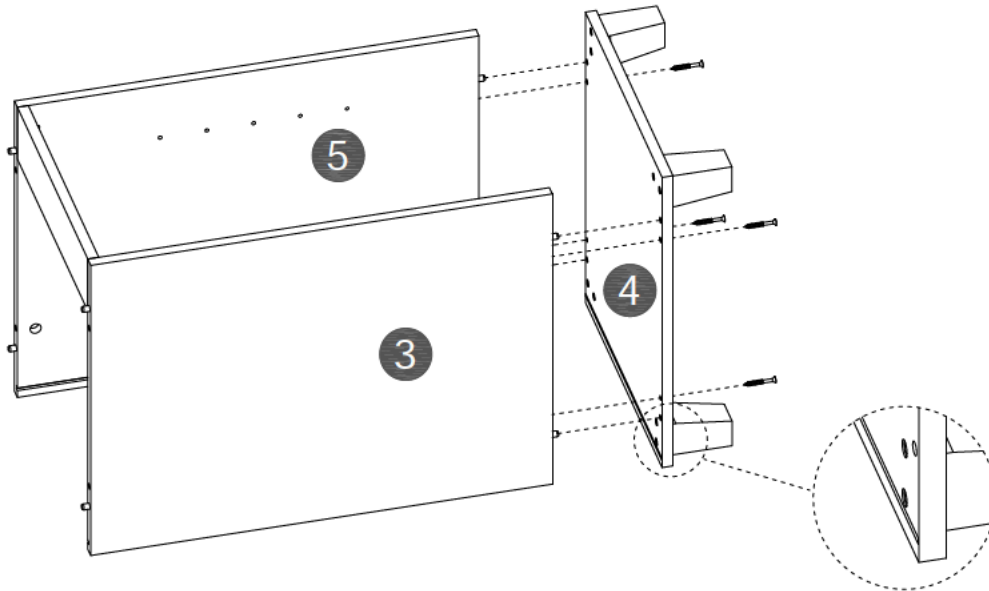
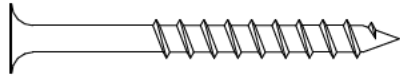


Finished edge



STEP 8

K x 4pcs

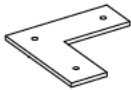


STEP 9

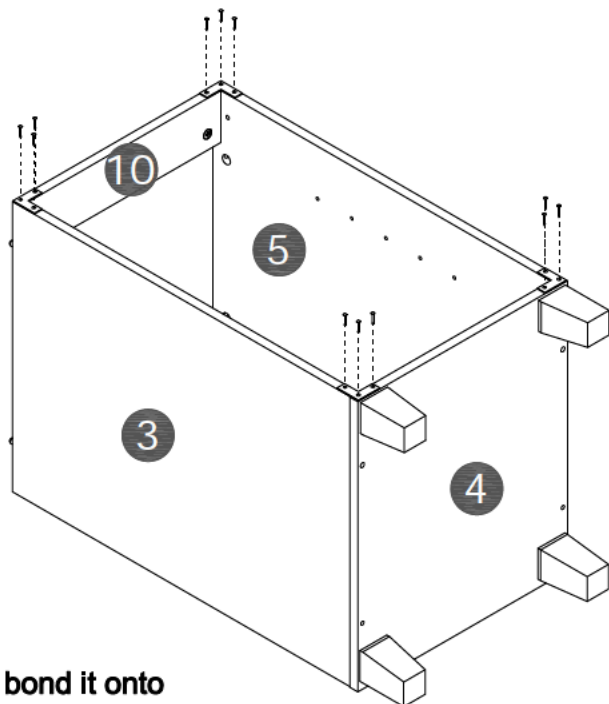
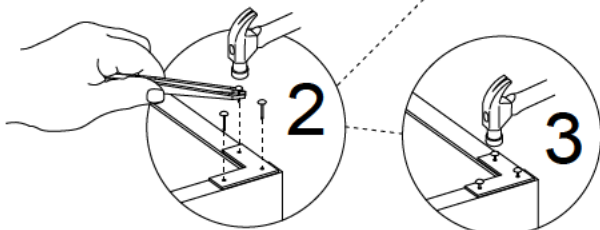
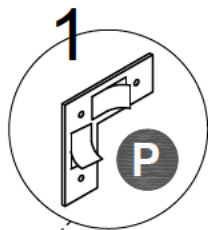
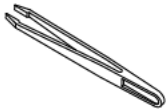
O x 12pcs



P x 4pcs



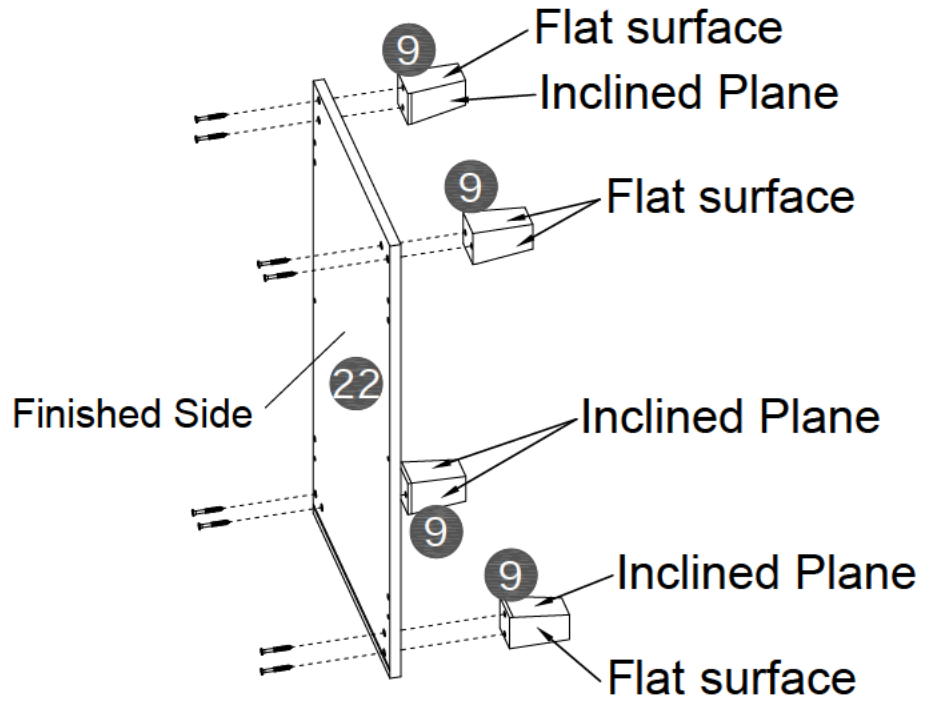
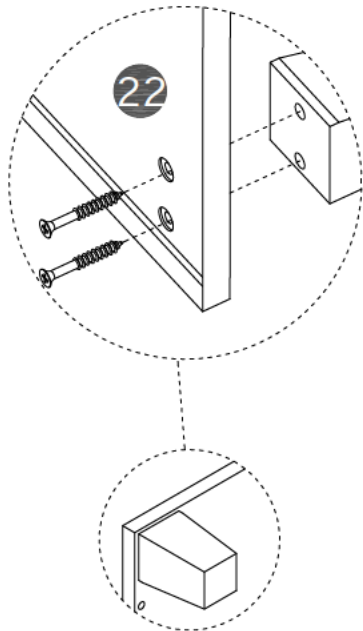
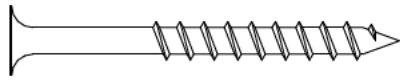
U



Peel off the adhesive sticker's protective paper and bond it onto the designated position before secure with nails.

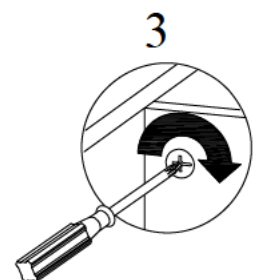
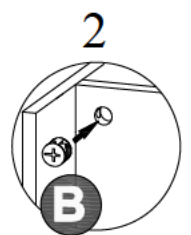
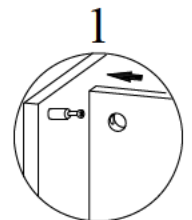
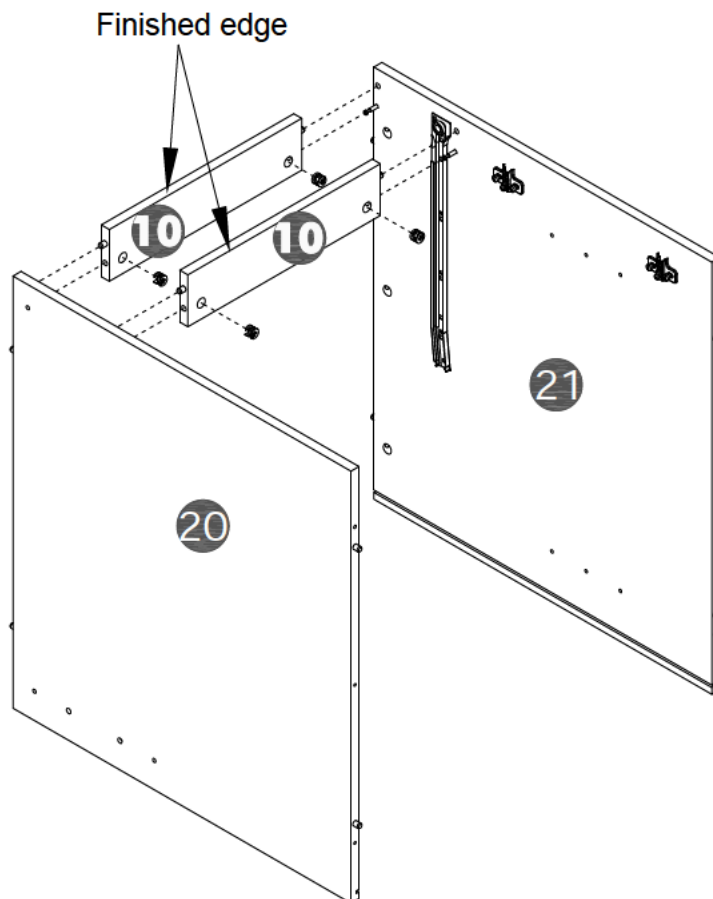
STEP 10

K x 8pcs



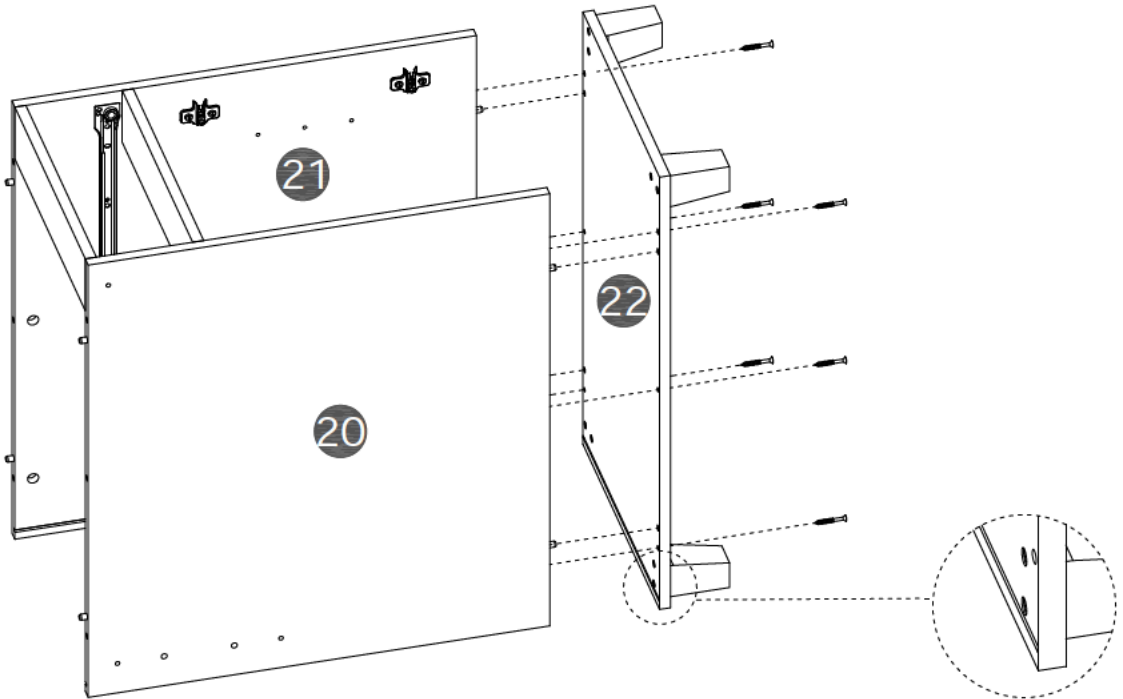
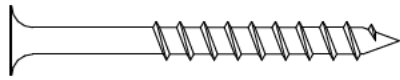
STEP 11

B x 4pcs



STEP 12

K x 6pcs

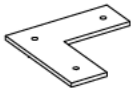


STEP 13

O x 18pcs



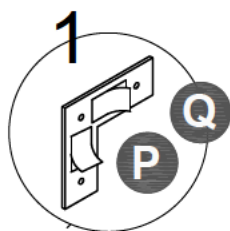
P x 4pcs



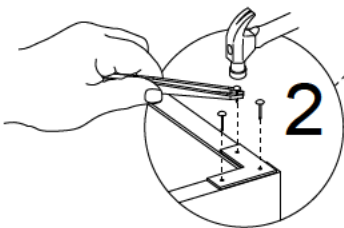
U



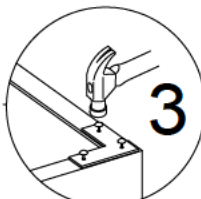
1



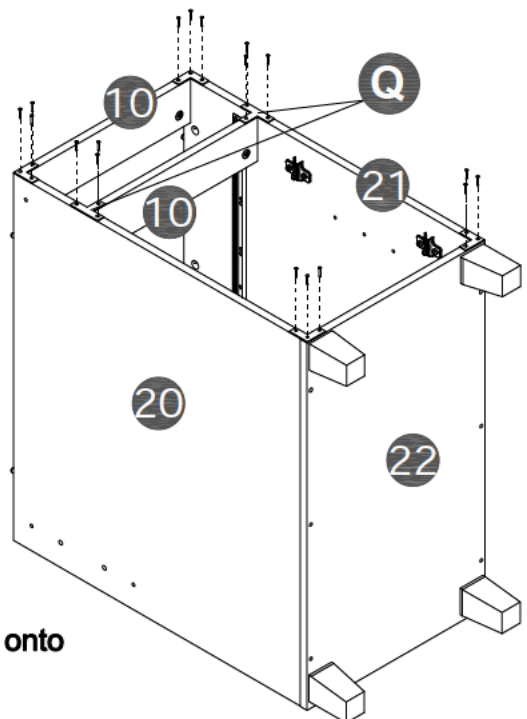
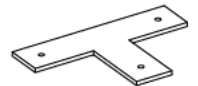
2



3



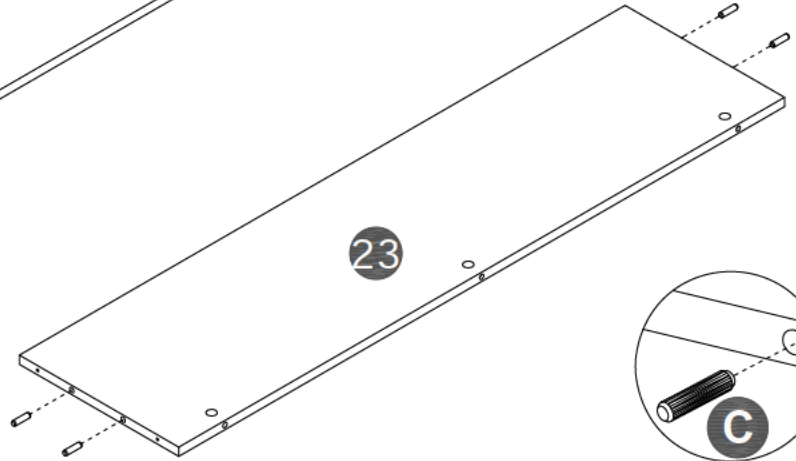
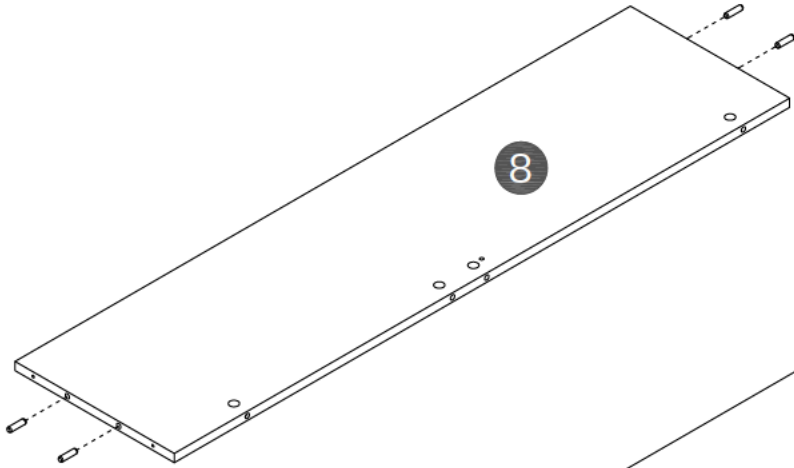
Q x 2pcs



Peel off the adhesive sticker's protective paper and bond it onto the designated position before secure with nails.

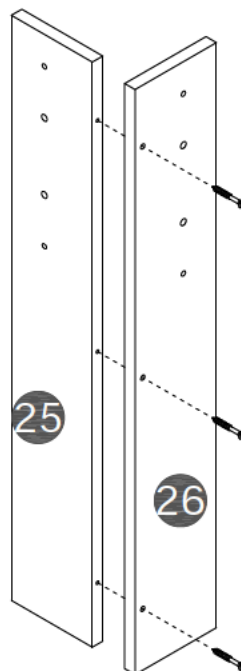
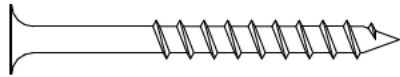
STEP 14

C x 8pcs



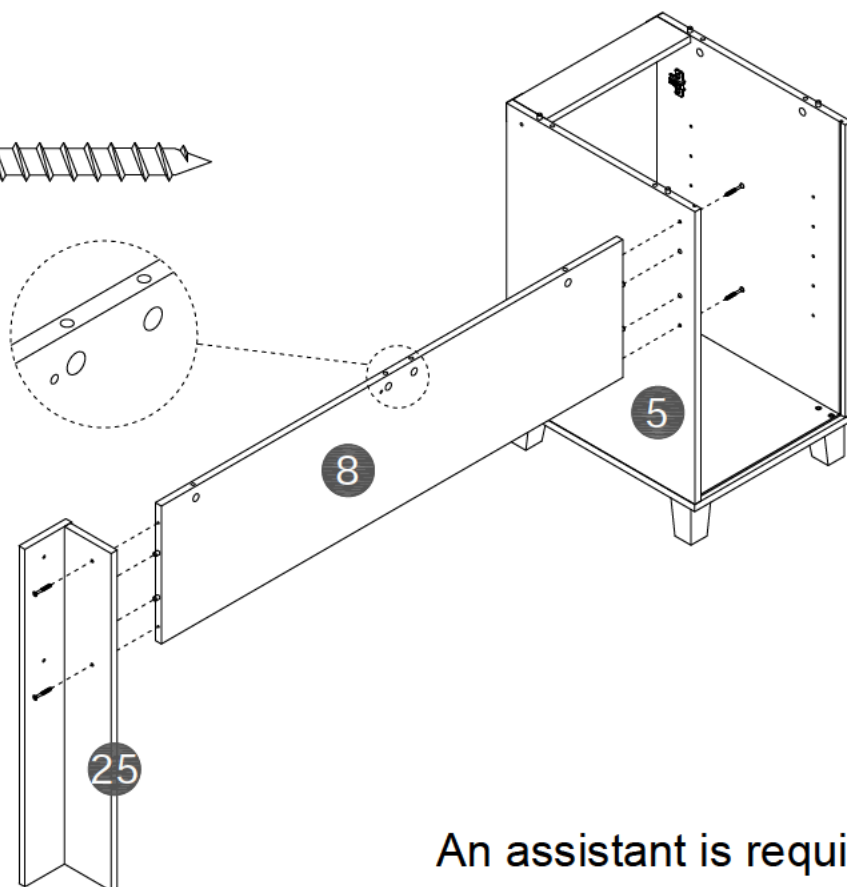
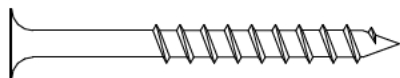
STEP 15

K x 3pcs



STEP 16

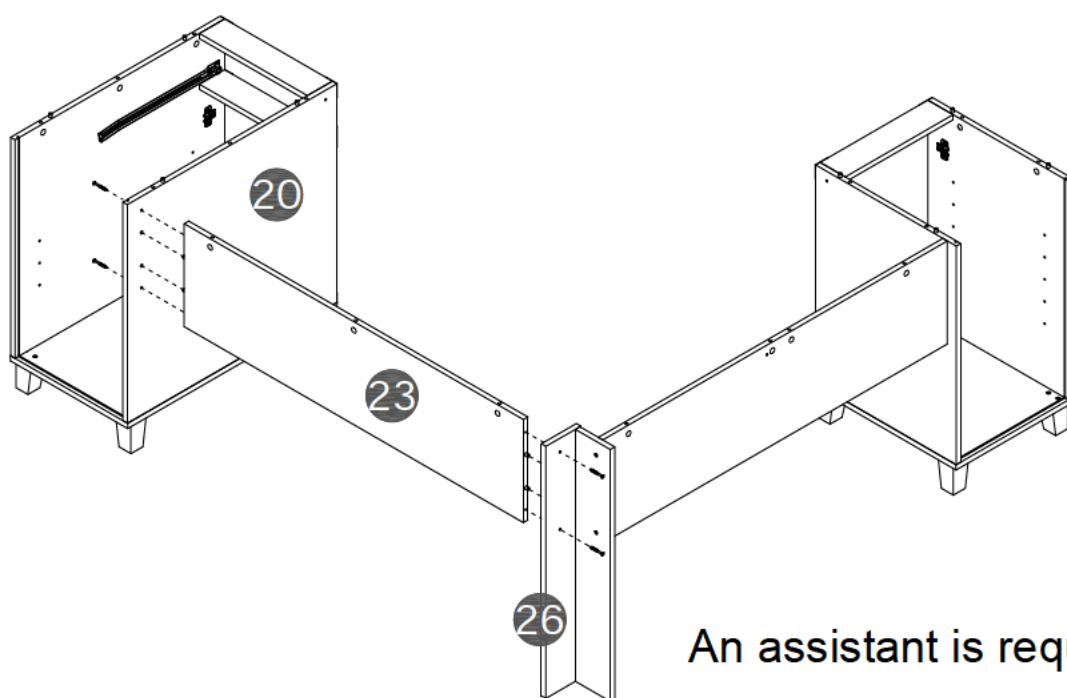
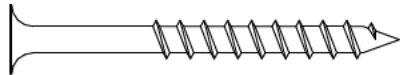
K x 4pcs



An assistant is required.

STEP 17

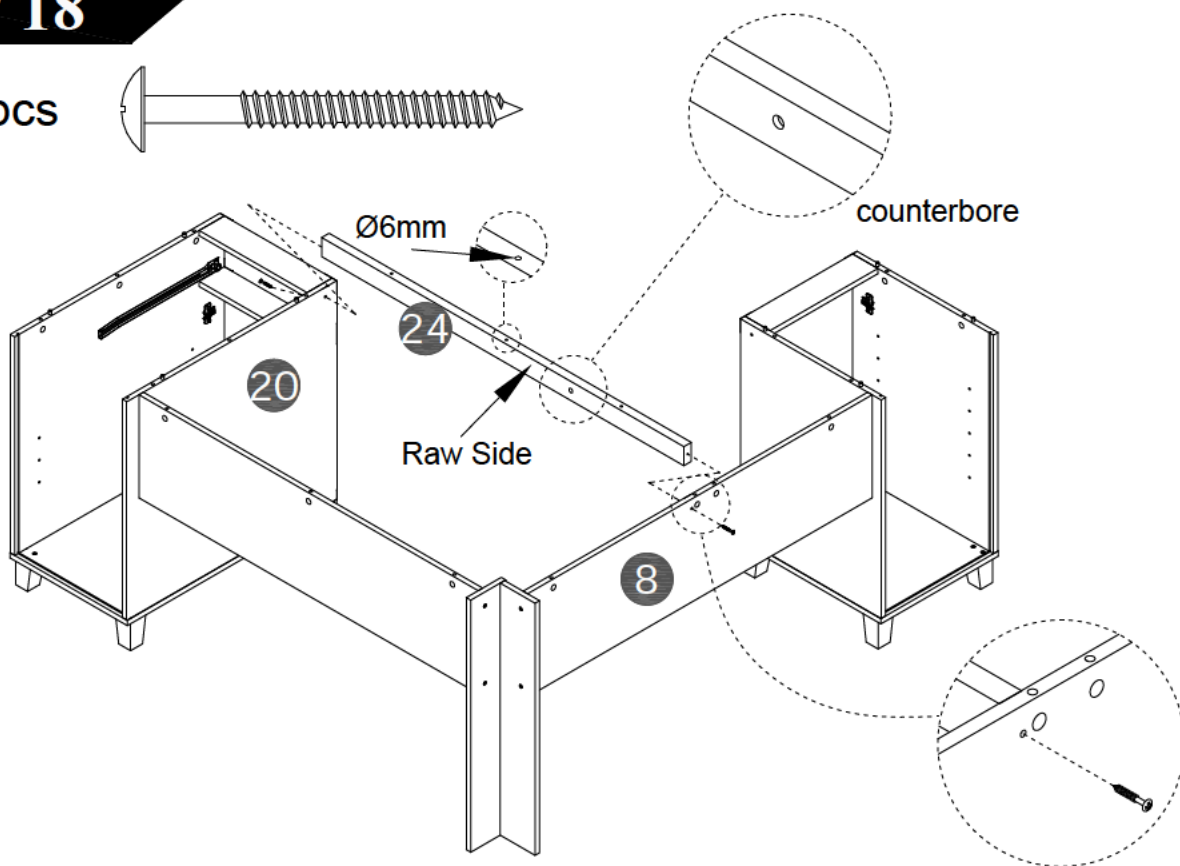
K x 4pcs



An assistant is required.

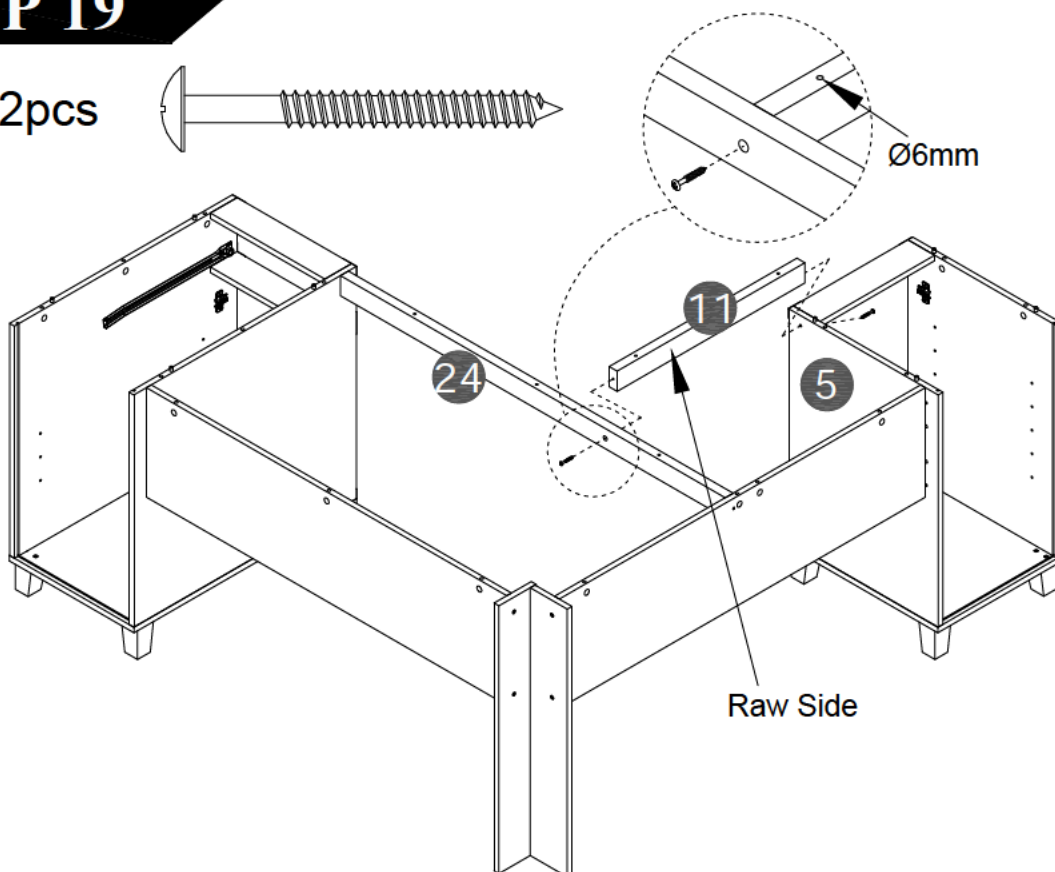
STEP 18

J x 2pcs

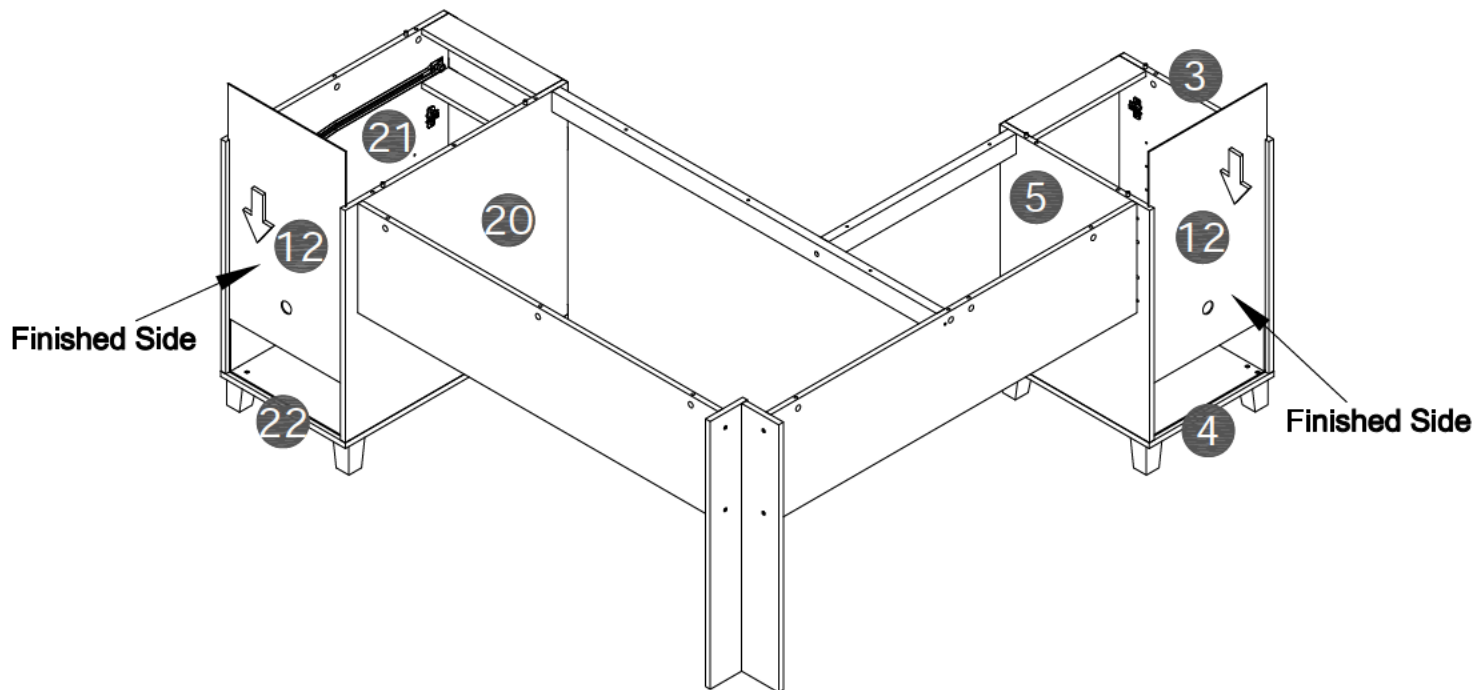


STEP 19

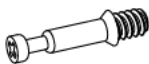
J x 2pcs

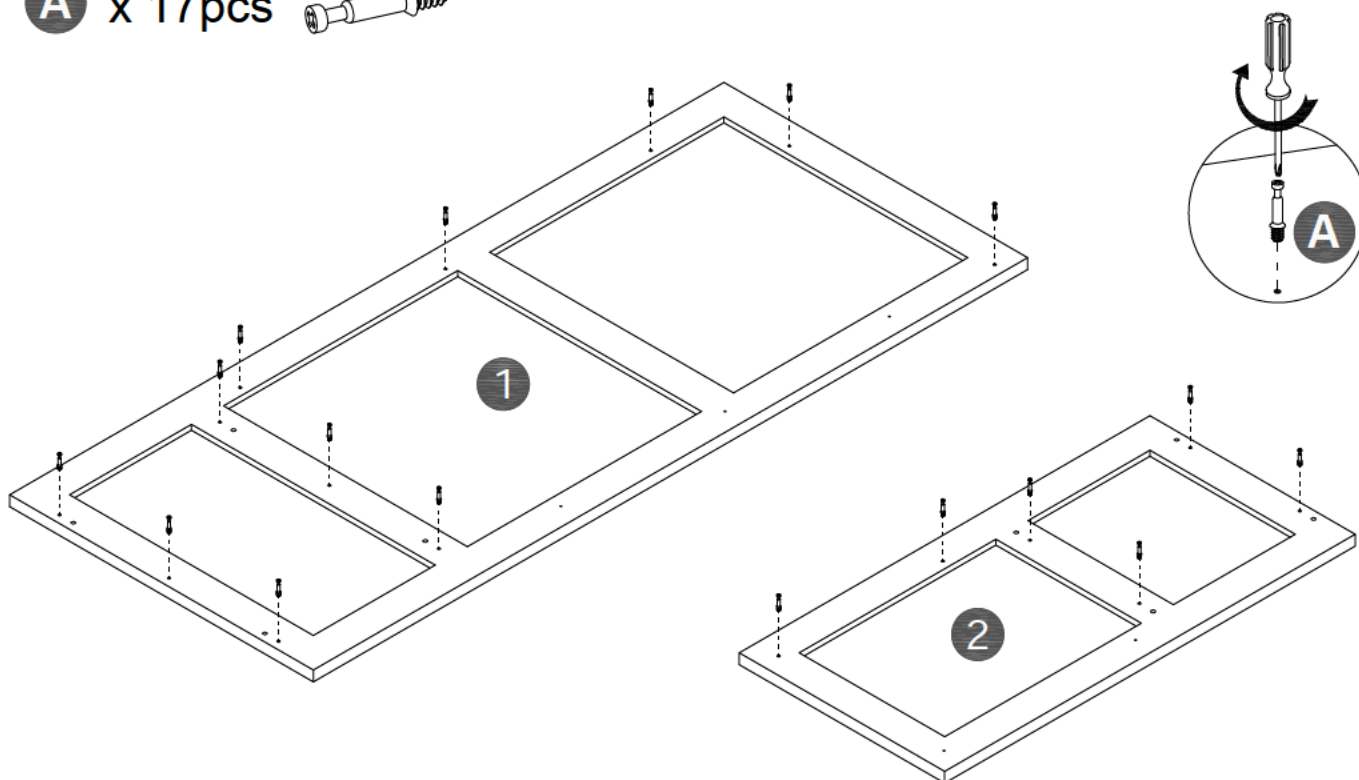


STEP 20



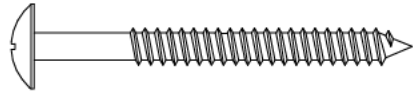
STEP 21

A x 17pcs 



STEP 22

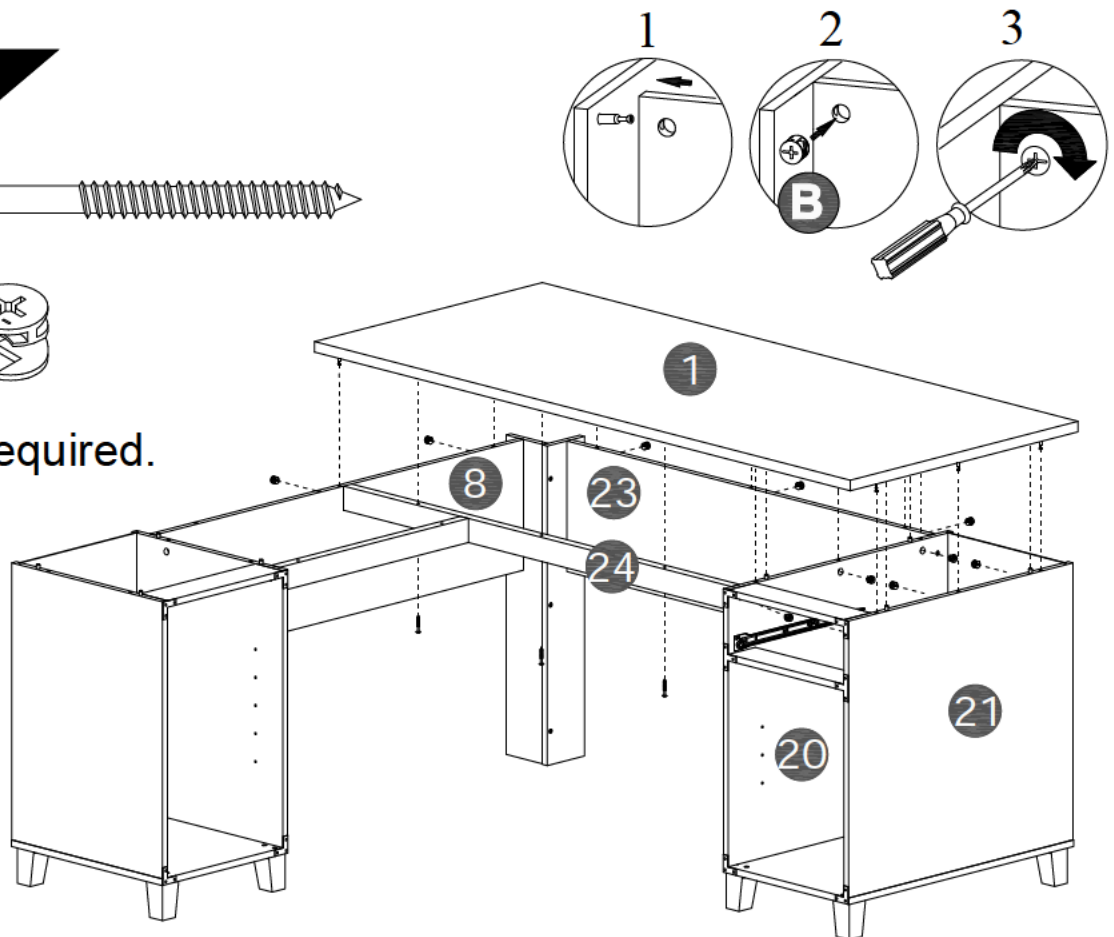
J x 3pcs



B x 11pcs

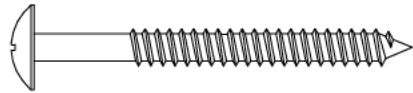


An assistant is required.



STEP 23

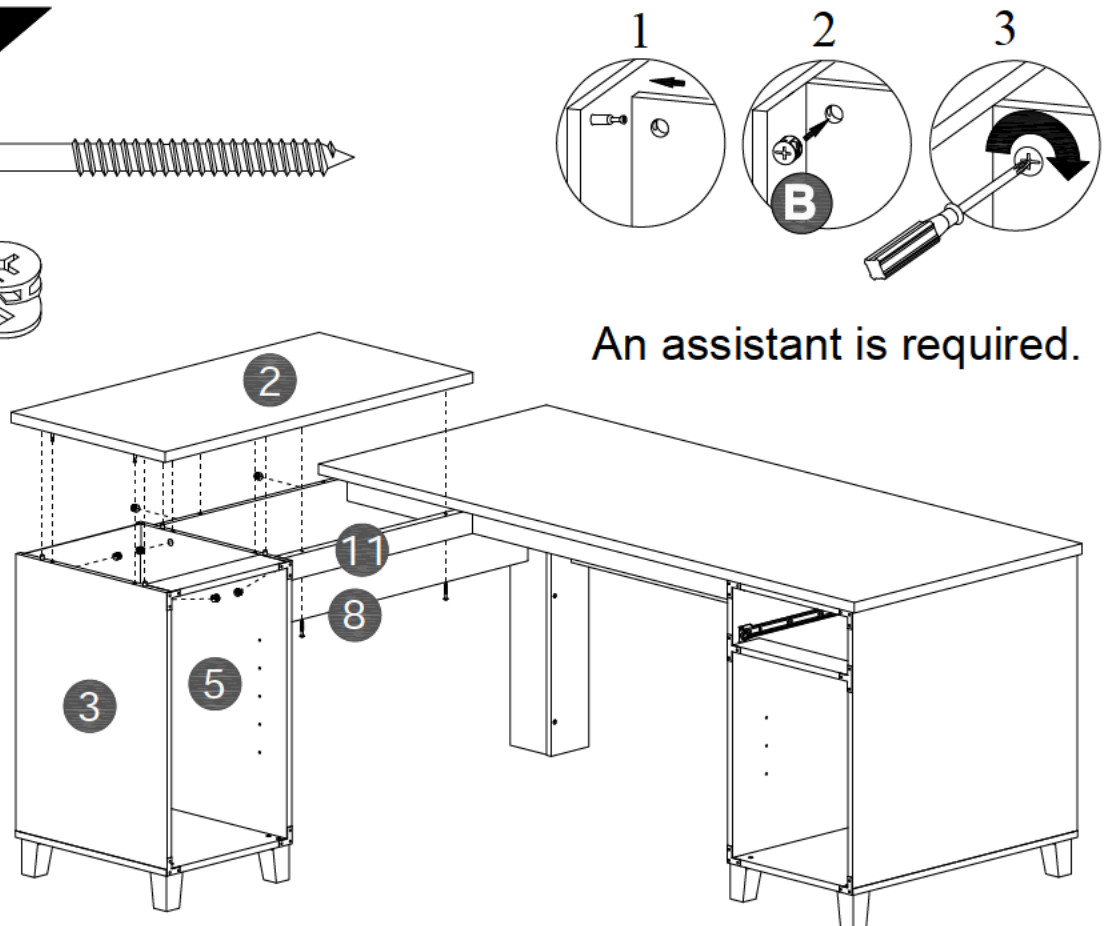
J x 2pcs



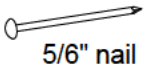
B x 6pcs



An assistant is required.

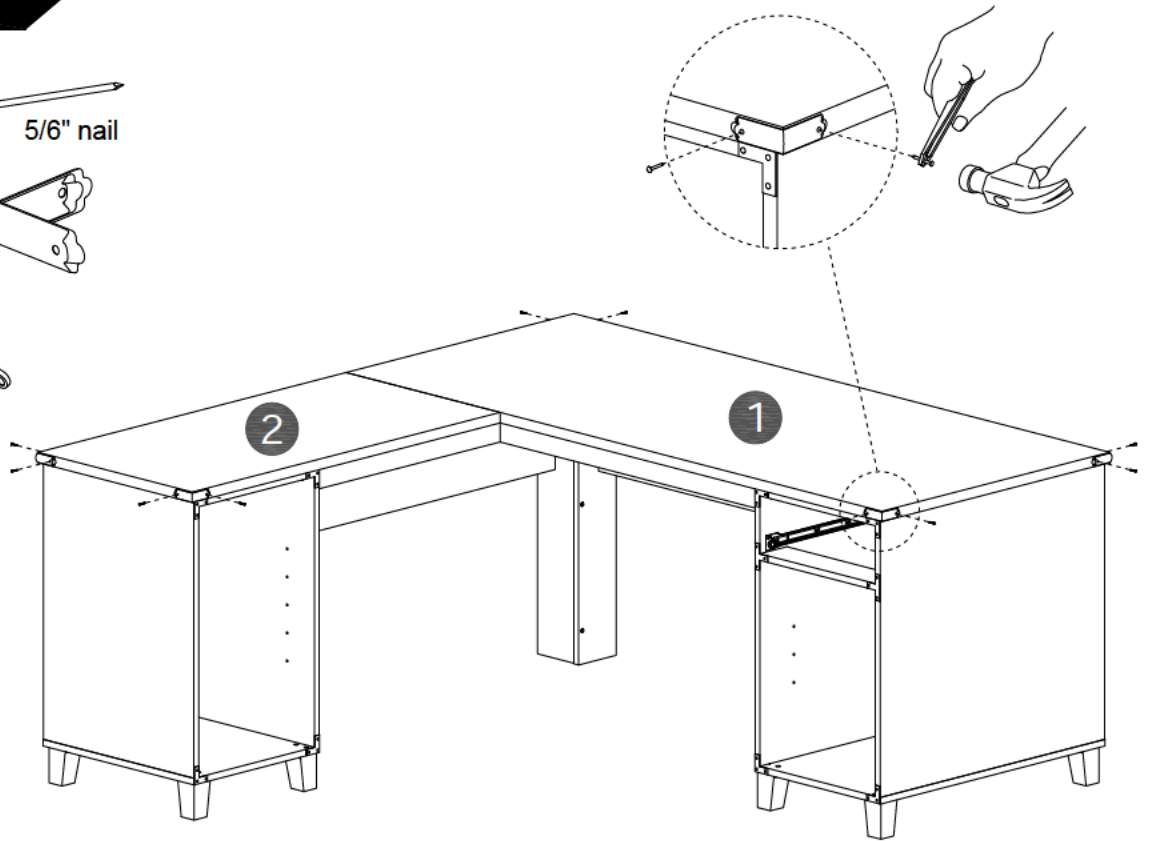


STEP 24

R x 10pcs  5/6" nail

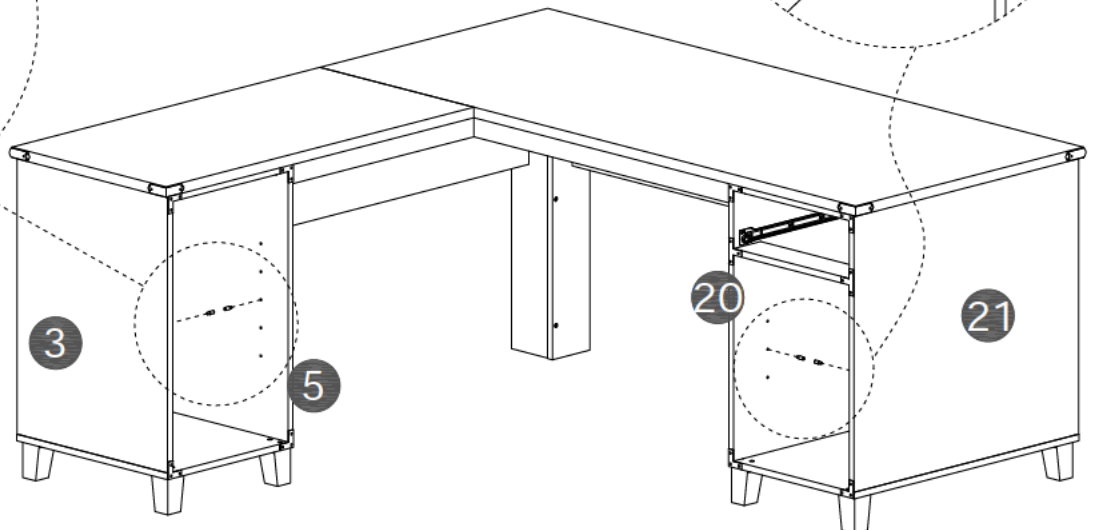
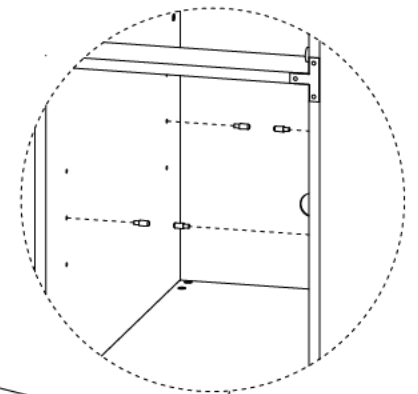
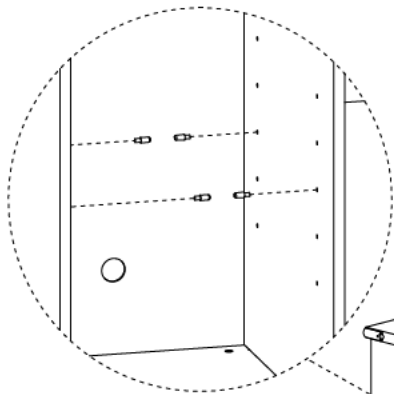
S x 5pcs 

U 

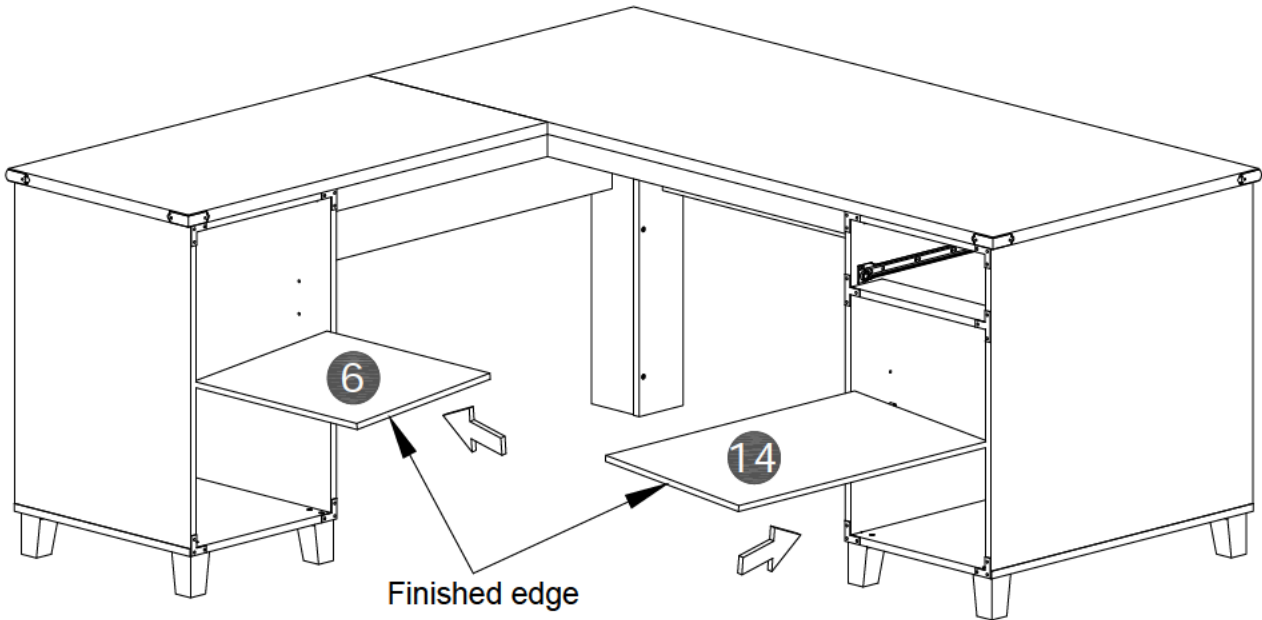


STEP 25

AA x 8pcs 

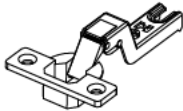


STEP 26

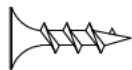


STEP 27

D x 4pcs



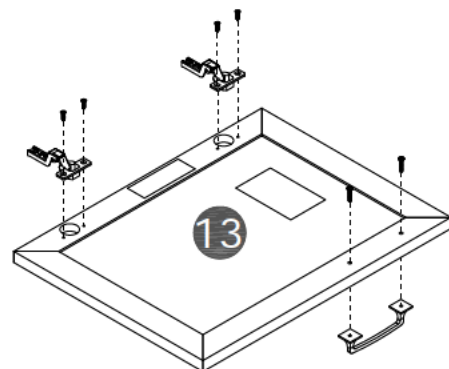
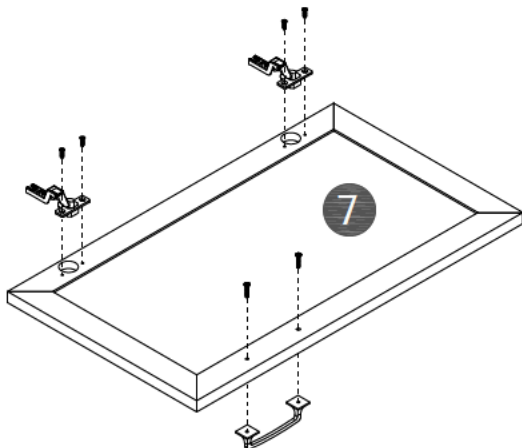
Z x 8pcs



F x 2pcs



G x 4pcs

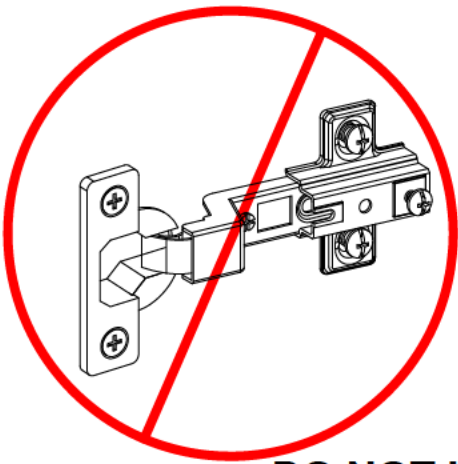
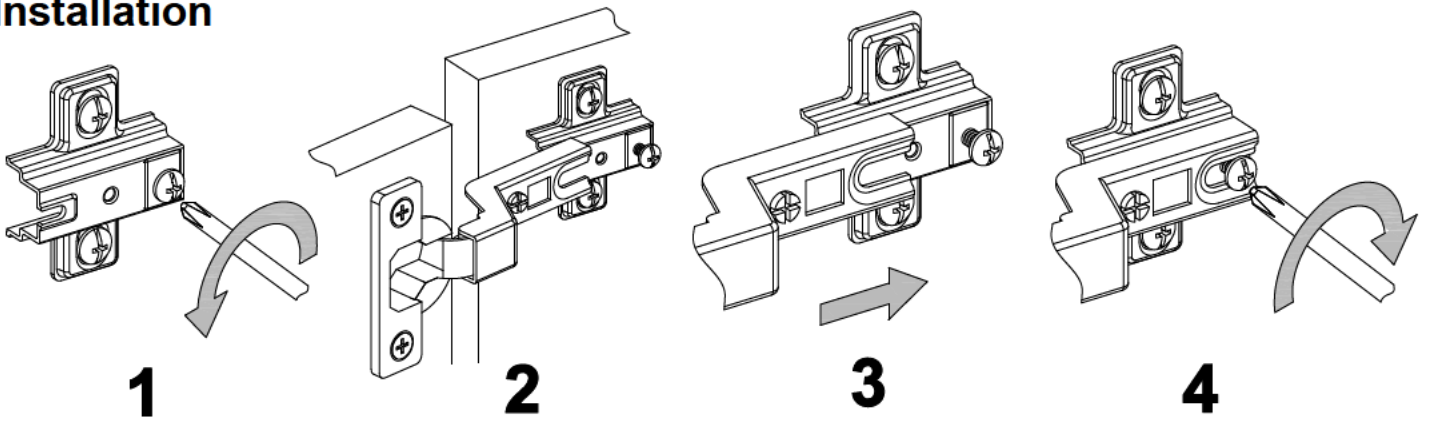


WARNING

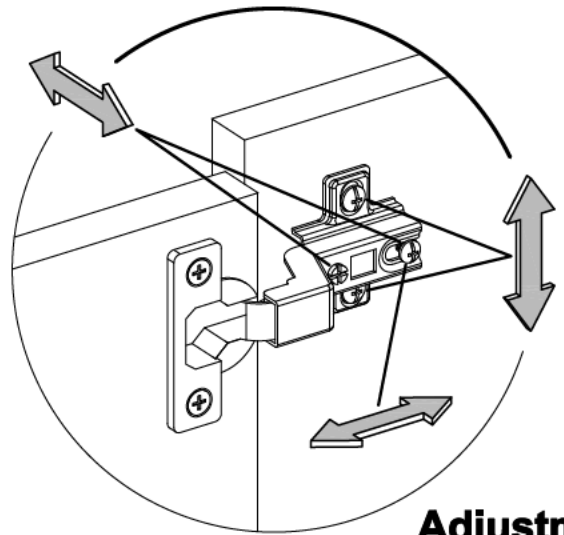
Caution, Storing electronic equipment may result in equipment overheating.
Shelves located behind doors are not intended for storing electronic equipment. Placing electronic equipment in this area may result in equipment overheating

STEP 28

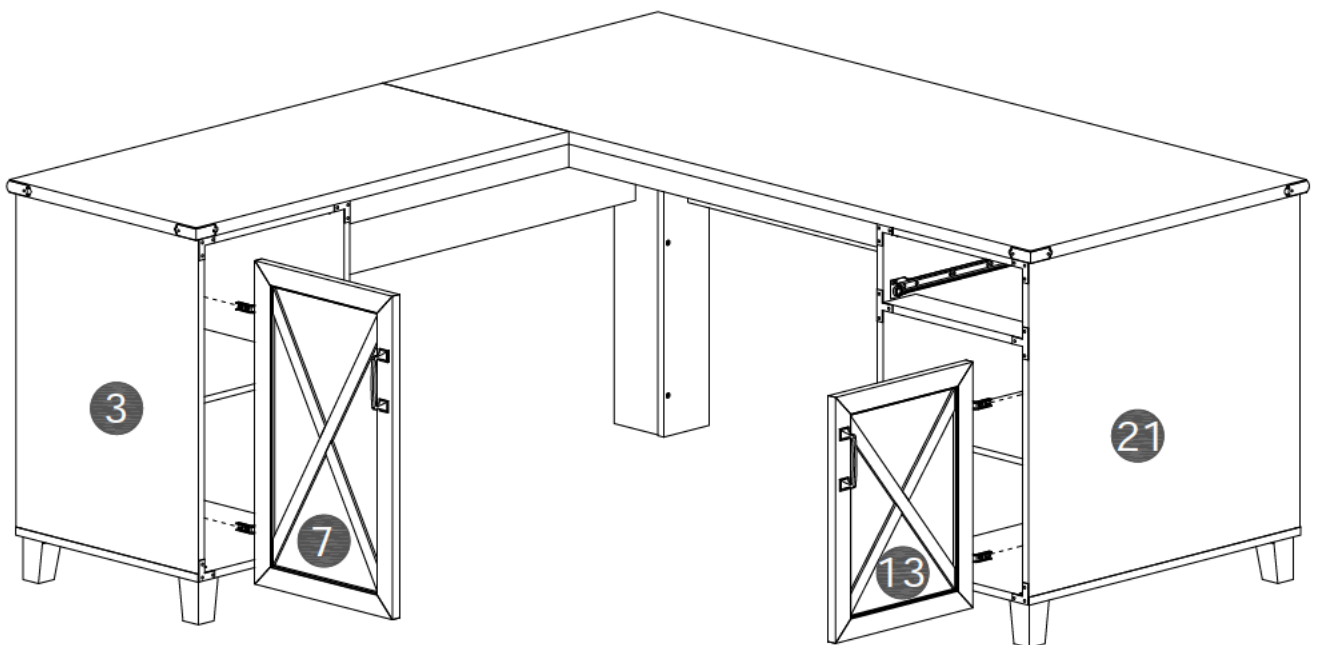
Installation



**DO NOT Insert
Hinge beneath mount**



Adjustment



STEP 29

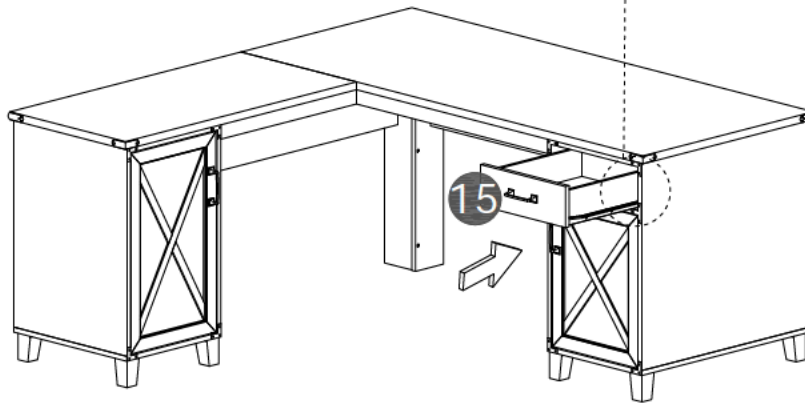
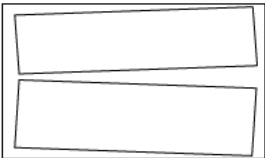
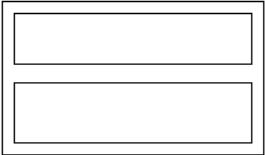
- Move unit to final location.
- Adjust drawer fronts as shown below.

Step1—Loosen screws on back of drawer front brackets as shown.

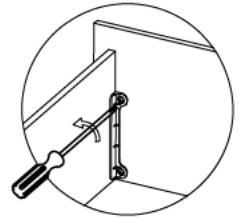
Step2—Position drawer front as required.

Step3—Tighten screws while holding drawer front in position.

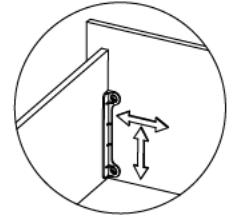
DRAWER FRONT VIEW



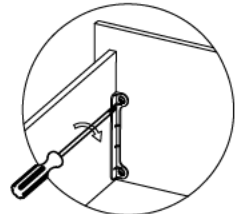
STEP 1.



STEP 2.



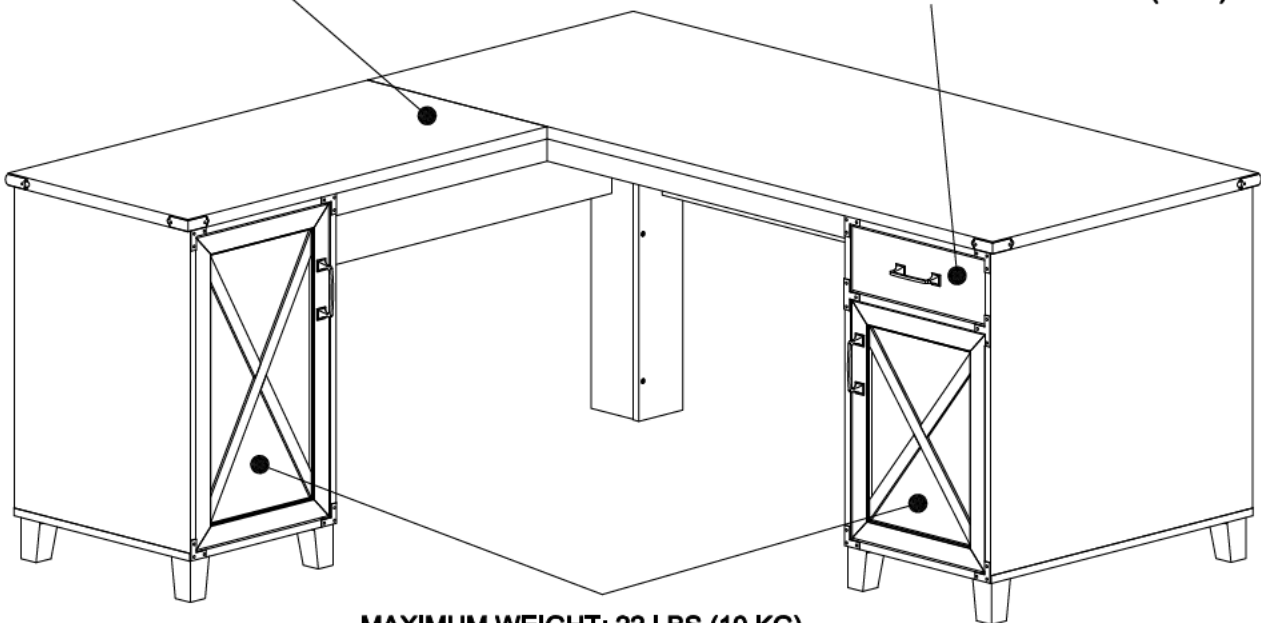
STEP 3.



Maximum weight capacities

MAXIMUM WEIGHT: 150 LBS (68 KG)

MAXIMUM WEIGHT: 11 LBS (5 KG)



MAXIMUM WEIGHT: 22 LBS (10 KG)

What is Proposition 65?

Proposition 65 is a California law that requires warning labels on products that may contain one of more than 800-plus chemicals or ingredients that the California Office of Environmental Health Hazard Assessment (OEHHA) has deemed to cause cancer or other reproductive toxicity. chemicals and elements on this list include wood dust , brass , and other everyday substances, which can be found in very common household items, such as : lamps , tableware , jewelry , crystal glasses , electric cords , beauty products , automobiles , and furniture.

Why Did I Find a Proposition 65 Warning on My Home Goods Product?

We include Proposition 65 warnings on all of our products because there is always a chance that one of the 800-plus common chemicals and ingredients listed under this law could potentially be on our furniture or packing materials. We risk large fines under this law , if we don't include this warning.

Should I worry?

We realize you may be worried finding this warning on our products , but we want to reassure you that the hazardous exposure limits for any of these chemicals have never been found on furniture products that we've shipped to our customers. Additionally, this warning label is very common and can be found on almost every piece of furniture sold in the state of California.

Just How Common Are Proposition 65 Warnings?

Proposition 65 warnings have become so common in California that it is hard to take a trip to local bank, grocery store , or restaurant without finding at least one warning. In fact, even the Disney Land Resort has a Proposition 65 warning:

