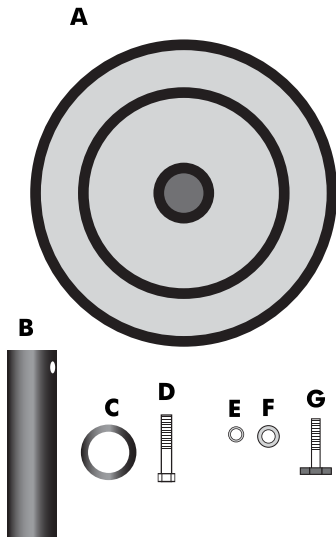


# UMBRELLA BASE

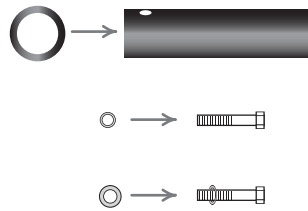
## Assembly Instructions

### STEP 1



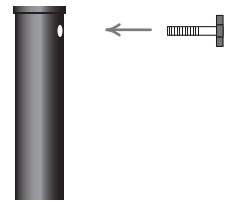
Lay out all of the pieces included in the box. **B** and **C** should already be assembled and **D**, **E**, and **F** should already be assembled.

### STEP 2



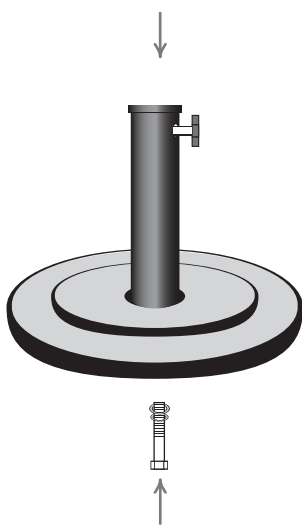
Put **C** in top of **B** if not already assembled. Put **E** on **D** then **F** on **D** if not already assembled

### STEP 3



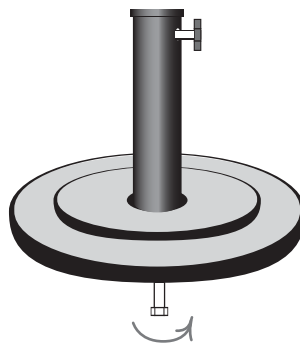
Screw **G** into the hole on the side of **B**

### STEP 4



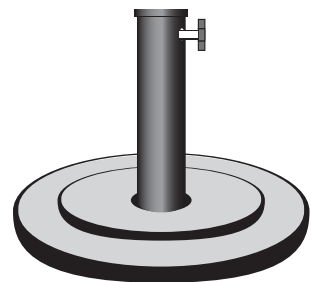
Put assembled **B** on the top of **A** and assembled **D** into the bottom of **A** screw **D** into **B** to connect the base and holder.

### STEP 5



Tighten all screws to ensure a secure fit.

### STEP 6



Your base is now assembled!