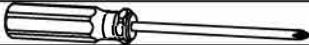

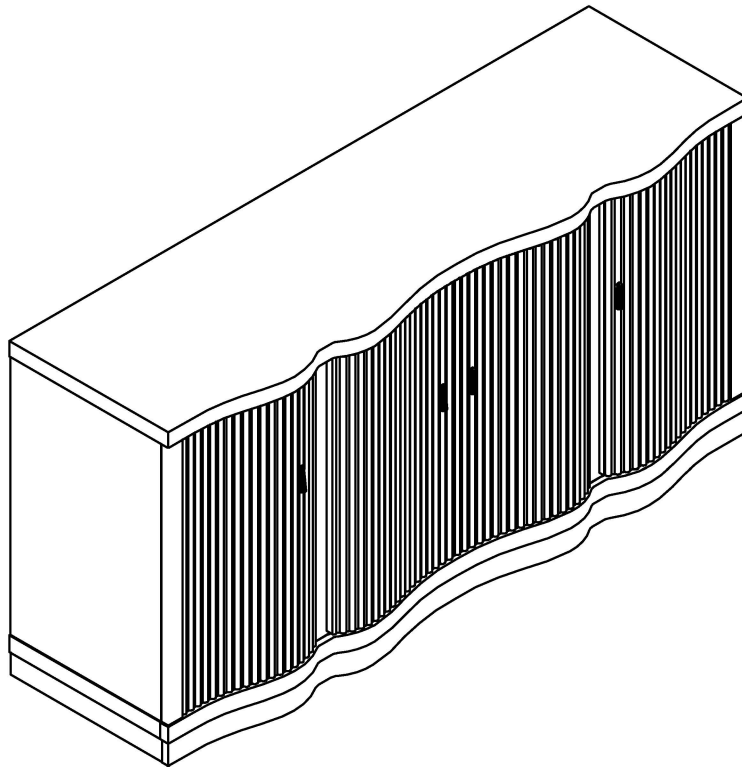


Assembly Instruction

SEVER

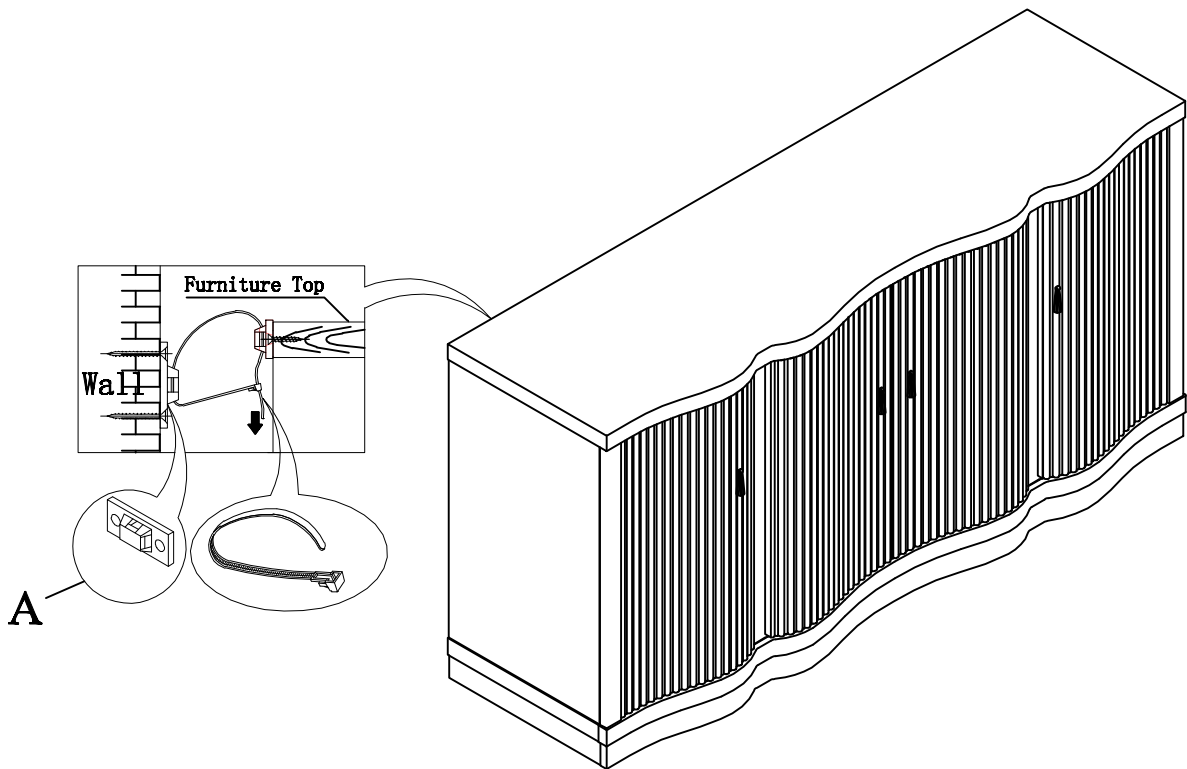
TOOLS REQUIRED (NOT INCLUDED)			
Description		Sketch	
Screw Driver			
HARDWARE LIST			
No.	Description	Sketch	Q'ty
A	Anti-tipping HW		1 SET



Assembly Instruction

SEVER

STEP 1:



The Anti-tipping HW is attached at the upper right back of the server, please remove it for assembly.



For items use on wooden floor, hard surfaces or carpets, it is recommended to install protective pads under all legs and supports to avoid/prevent from damages/scratches and discoloration.