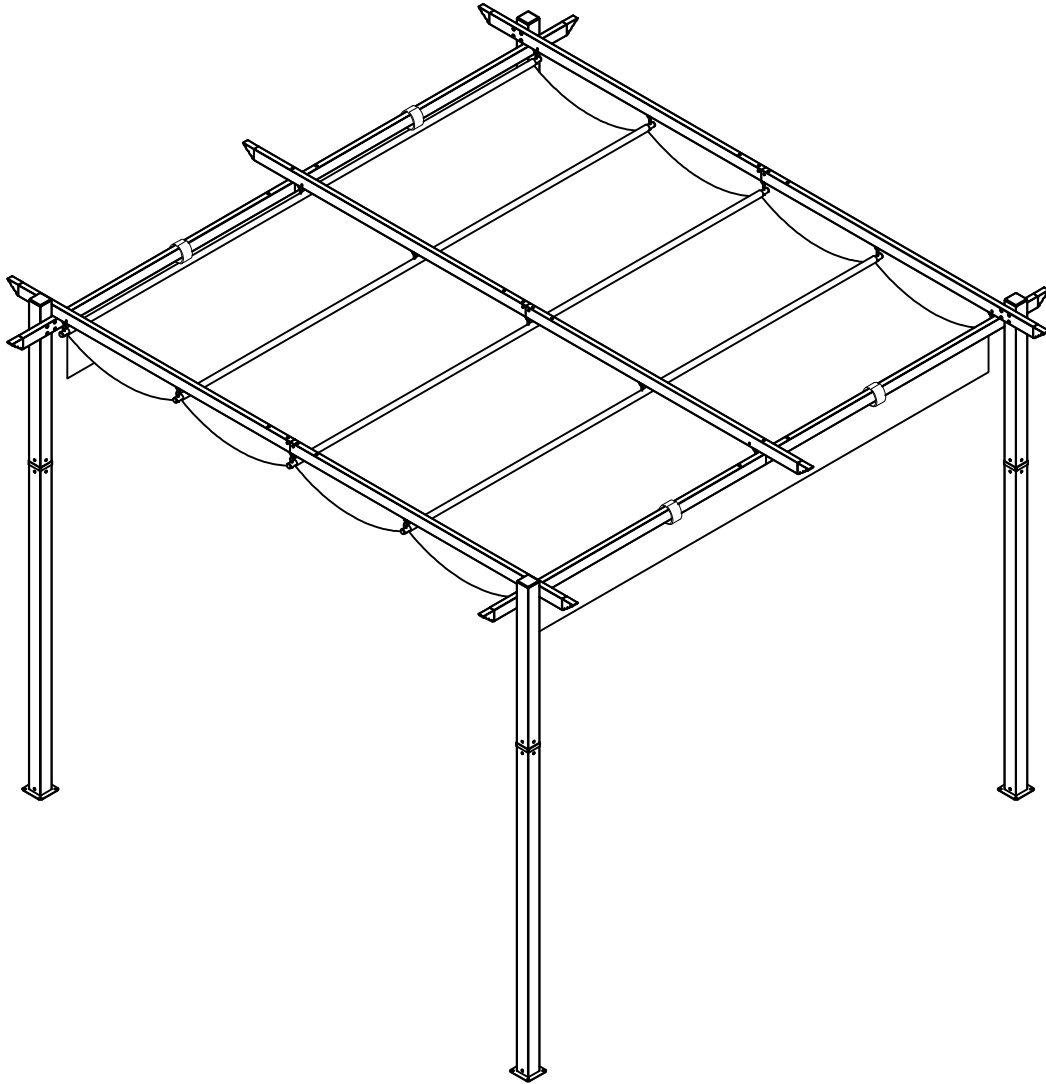


Retractable Pergola Assembly and Installation Guide



KRKYOT260KK & KRKYOT260GY

Important Notice:

1. Pre-Installation Preparation & Verification:

Before assembly, review the parts list to ensure all components/hardware are included (contact customer support for missing / damaged parts immediately). Ensure the installation area is level, stable and obstruction-free; use appropriate anchors/stakes for ground-mounted pergolas.

2. Assembly Safety Guidelines:

Handle components carefully (sharp edges may exist) and wear protective gloves if needed. Use provided tools and follow assembly instructions step-by-step to avoid injury or product damage.

3. Load Limitations:

Distribute items placed on the pergola evenly to prevent structural stress or instability.

4. Weather Protection:

Protect the pergola from extreme weather (heavy snow, ice, heavy rain, high winds) despite outdoor design. Retract the canopy during severe weather and regularly inspect fabric/frame for wear or damage.

5. Child & Pet Safety:

Keep small parts, tools and hardware out of children/pets' reach. Install the pergola in a tripping-hazard-free area and do not allow children to climb or play on the structure.

6. Maintenance & Cleaning:

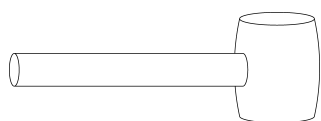
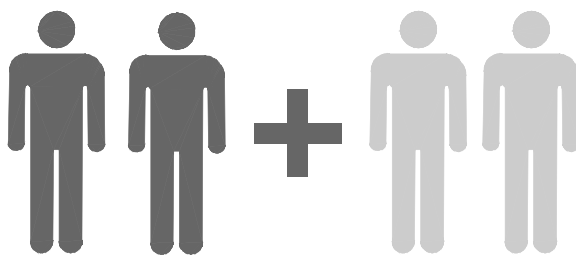
Regularly inspect for loose screws, bolts or components and tighten fasteners as needed. Clean the canopy with mild detergent and water; avoid abrasive cleaners that may damage materials.

7. Operation & Adjustment Tips:

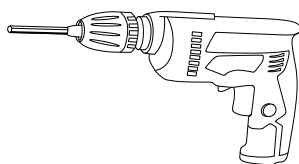
Retract/extend the canopy smoothly and evenly to avoid straining the mechanism. Do not force it if it moves abnormally; check for obstructions or damage first.

8. Support & Packaging Disposal:

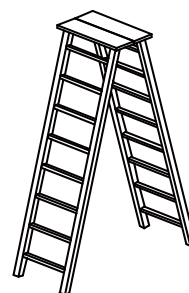
Contact customer support for installation/operation difficulties or product questions. Dispose of all packaging materials properly after installation to avoid tripping hazards.



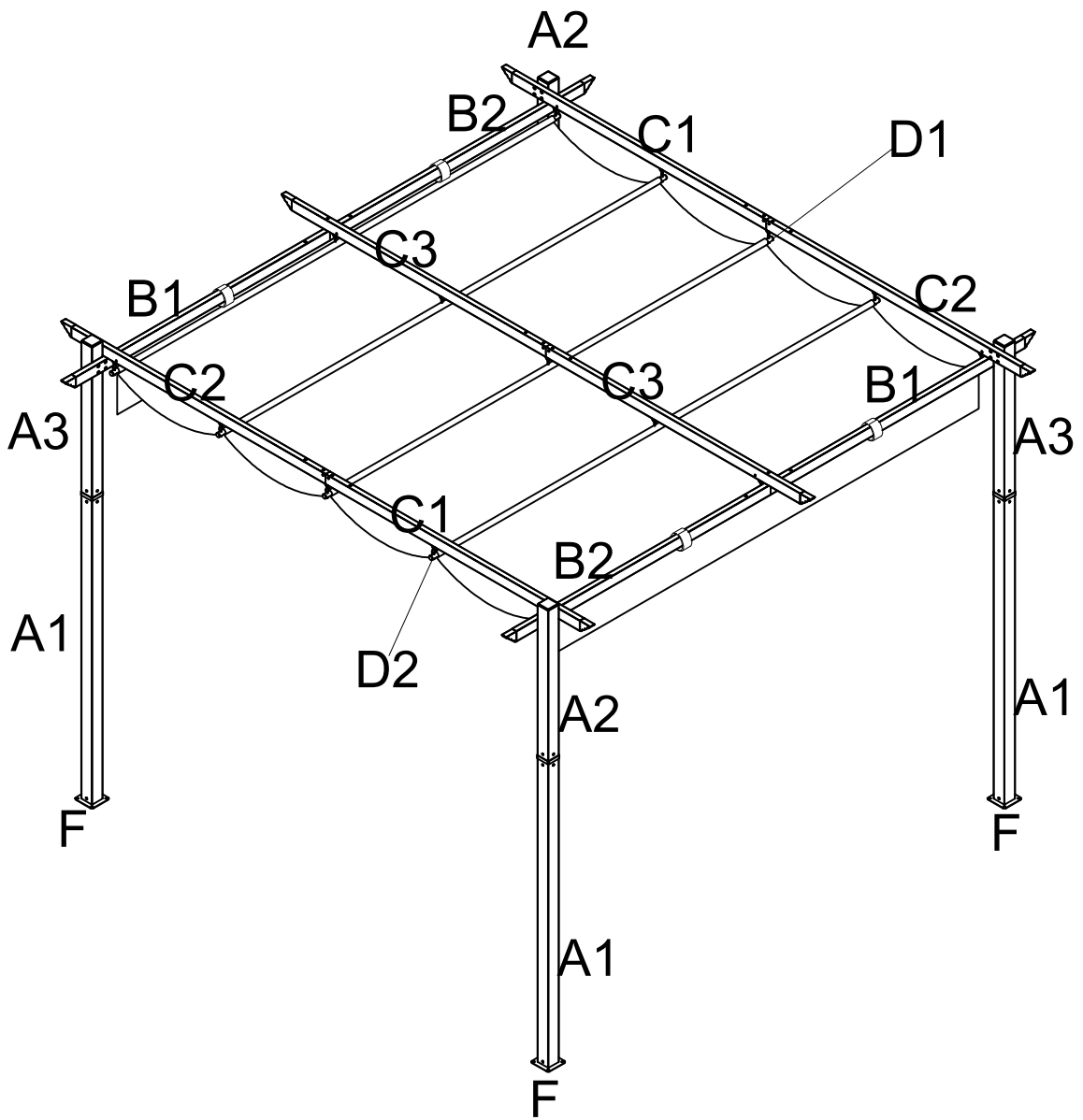
Hammer

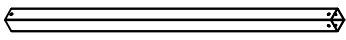
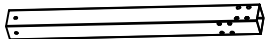
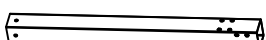


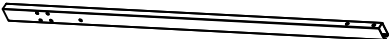

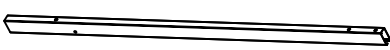




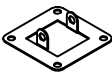
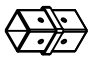
















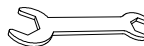
Electric Screw Gun



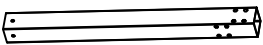
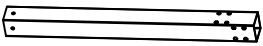
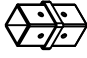

Ladder





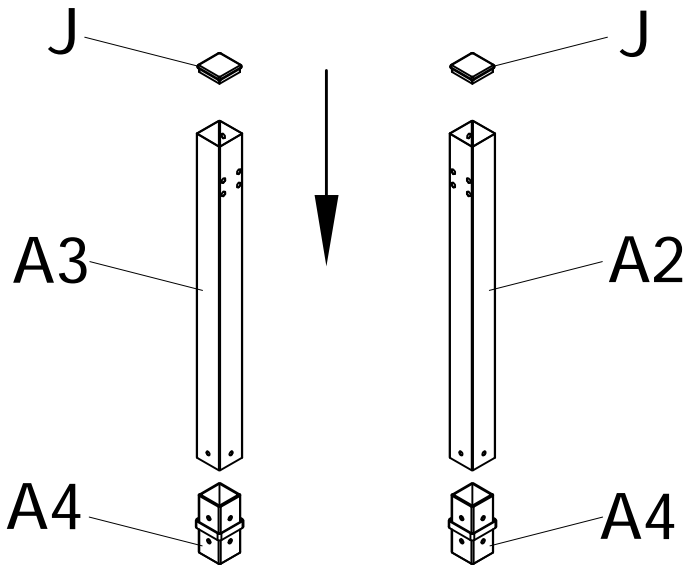
ITEM	DESCRIPTION	QTY
A1		4
A2		2
A3		2
B1		2
B2		2
C1		2
C2		2
C3		2
D1		5
D2		5
E1		2
E2		3
F		4
A4		4
J		4
K		10
L		1
M		15
N		15+1

ITEM	DESCRIPTION	SIZE	QTY
H1		M6X15	60+3
H2		M6X35	6+1
H3		M6X65	2+1
H4		M6	74+4
H5		M6	6+1
H6		25-M6X15	32
H7		M4	15+1
HQ1		4X140	8
HQ3		4MM	2
HQ4		7MM — 10MM	1

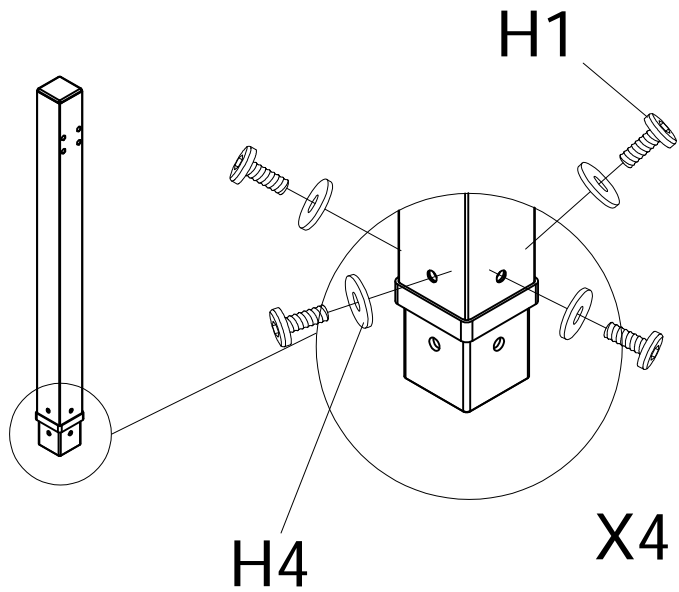
1

A2		2
A3		2
A4		4
J		4

H1		M6X15	16
H4		M6	16






X2

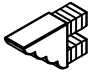




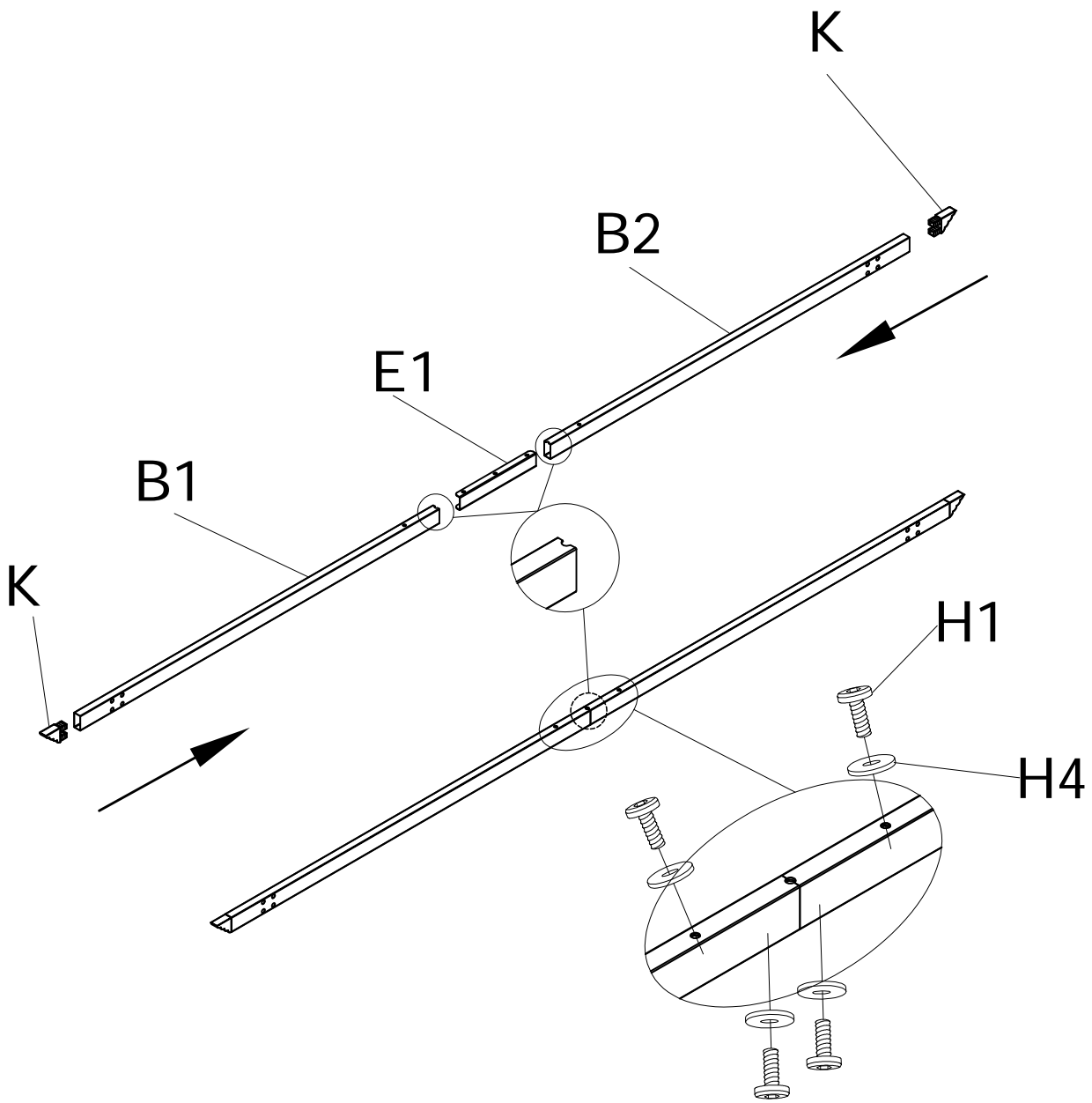
H4

X4

2

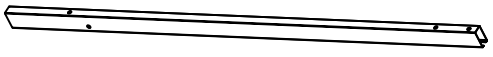



B1		2
B2		2
E1		2



K		4
H1	 M6X15	8
H4	 M6	8

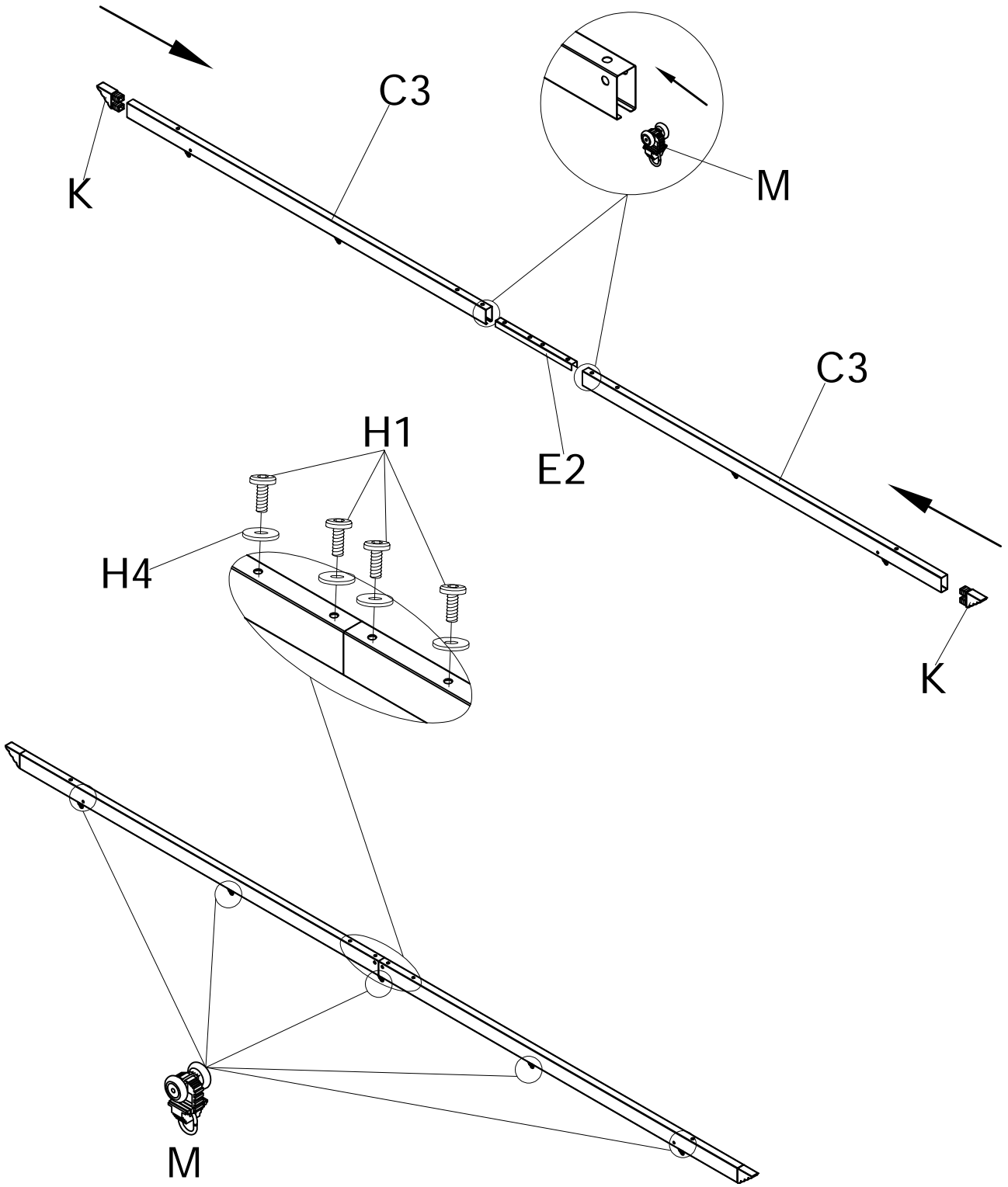


X2


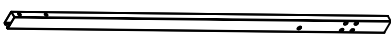



3



C3		2
E2		1
K		2
M		5

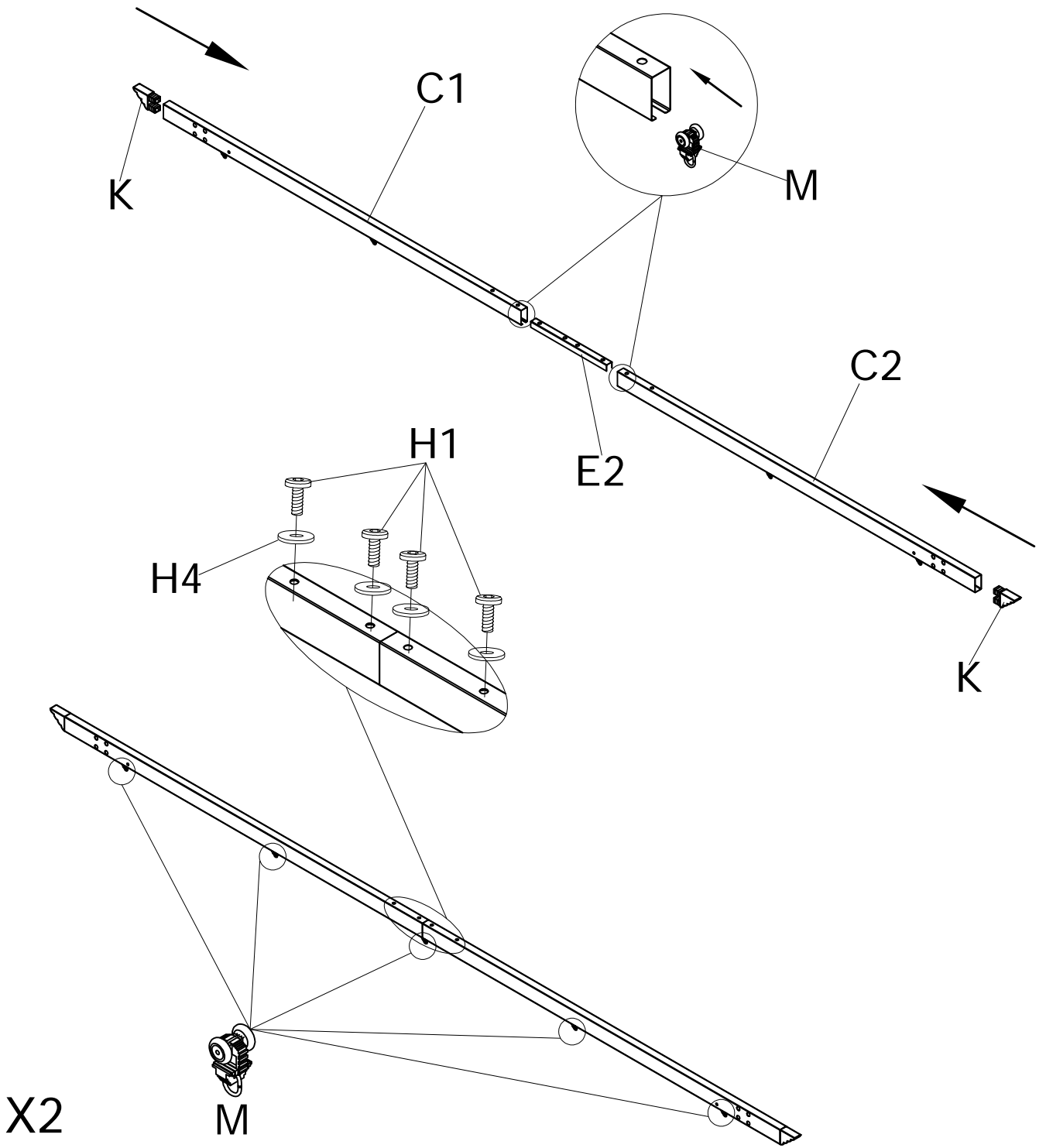
H1		M6X15	4
H4		M6	4



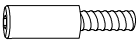
4

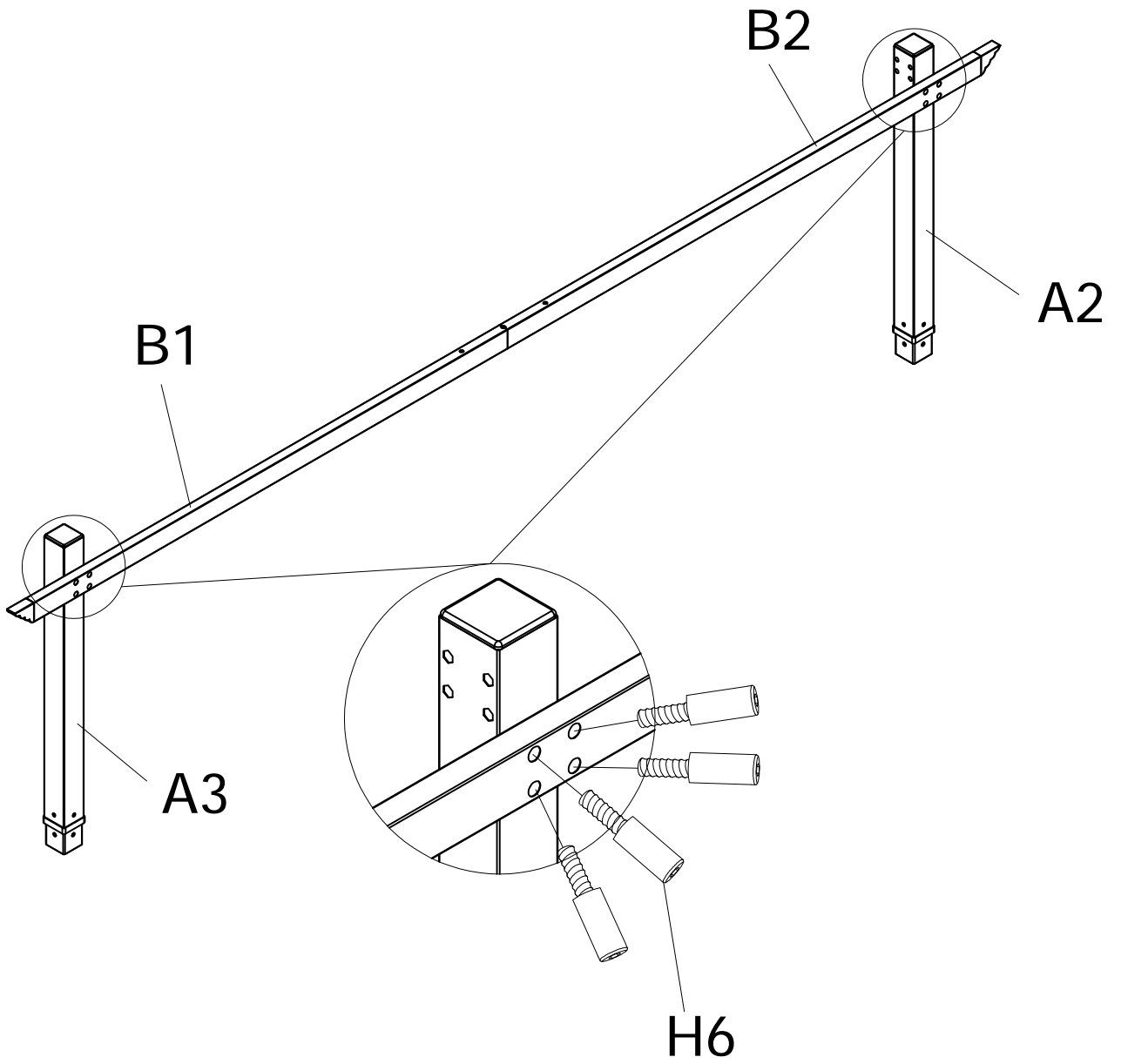
C1		2
C2		2
E2		2
K		4
M		10

H1		M6X15	8
H4		M6	8



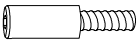
5

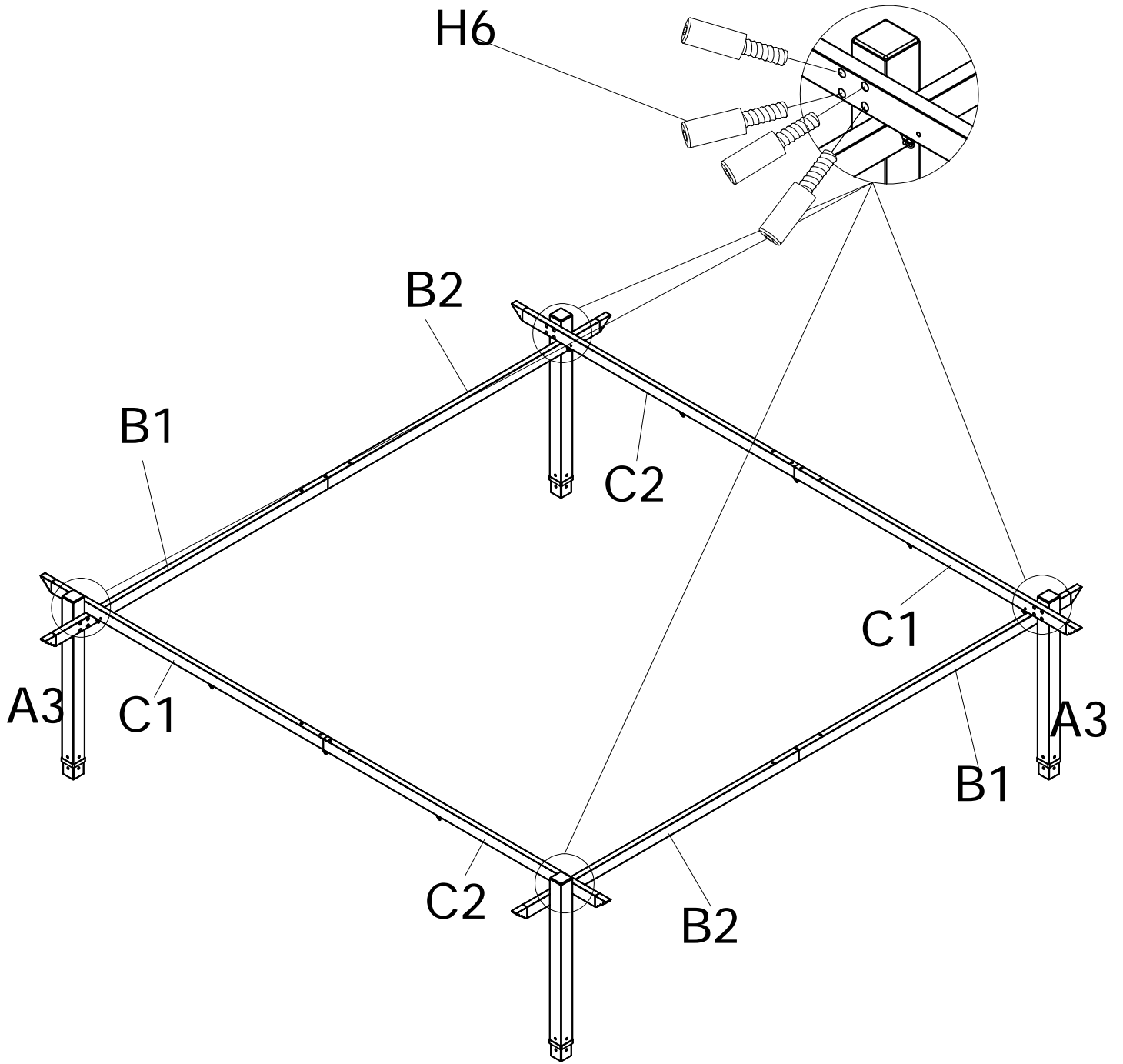
H6		25-M6X15	16
----	---	----------	----



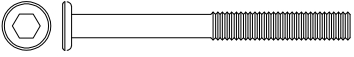

X2

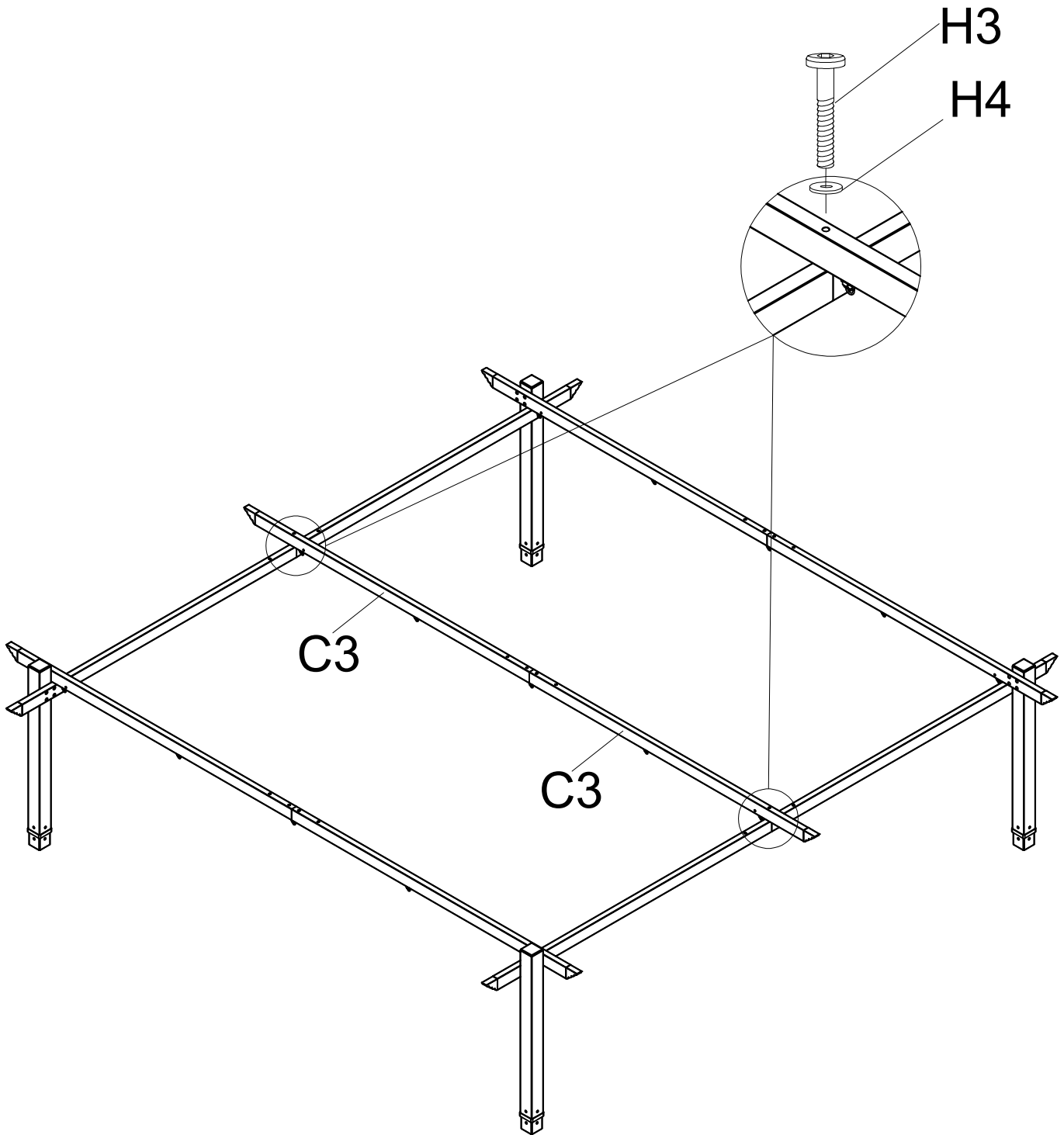
6

H6		25-M6X15	16
----	---	----------	----






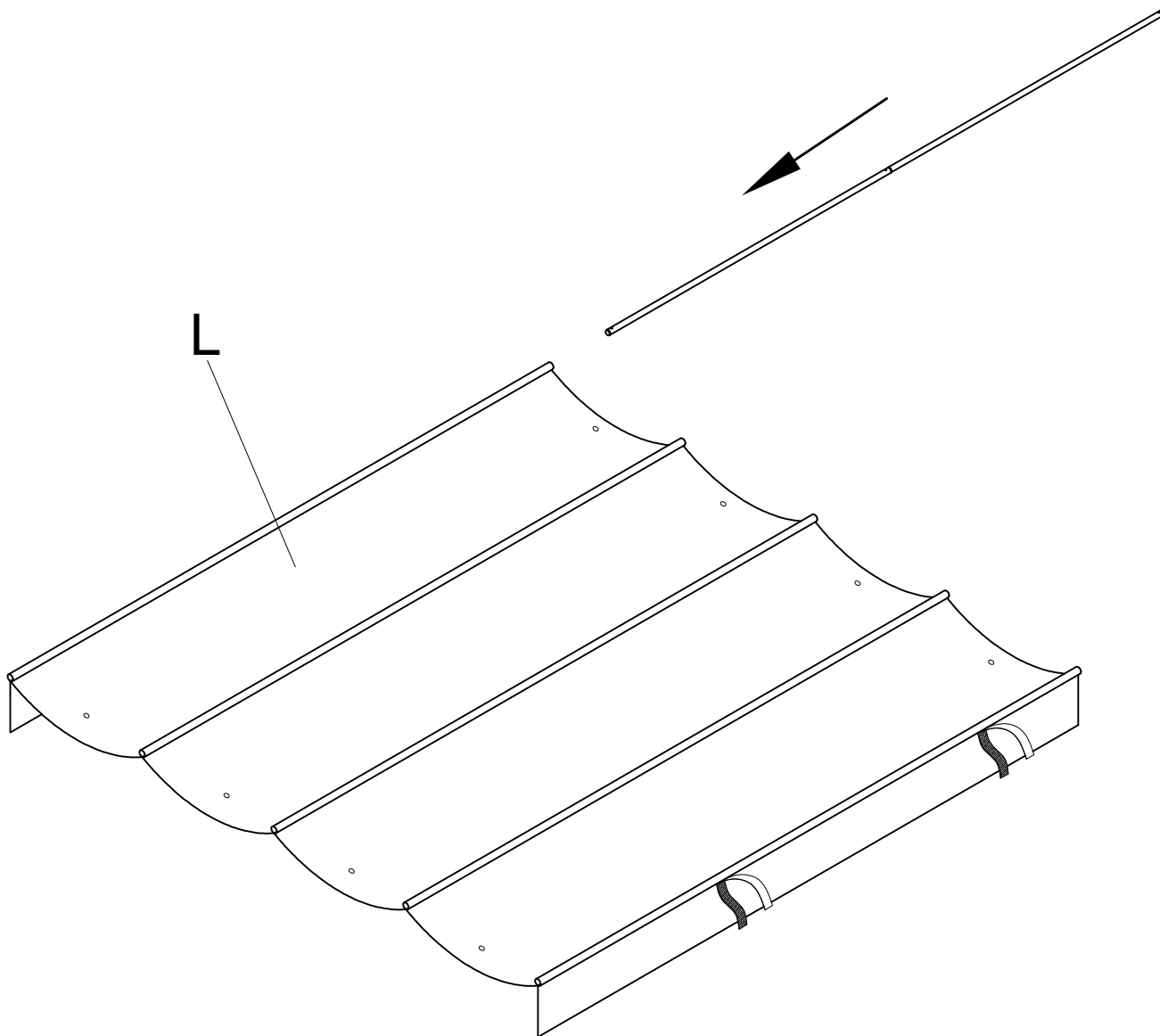
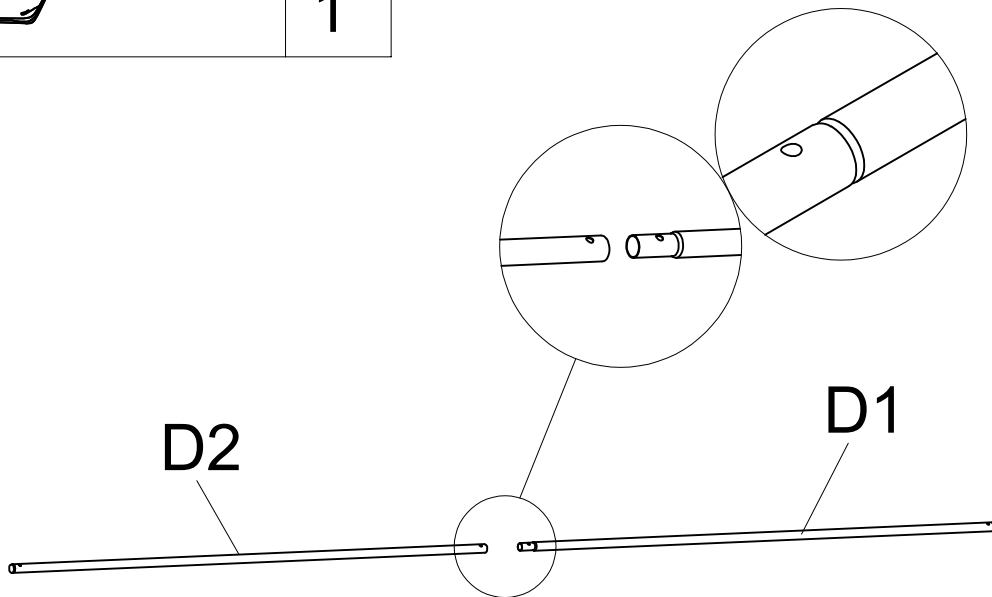
7

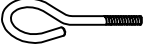

H3		M6X65	2
H4		M6	2

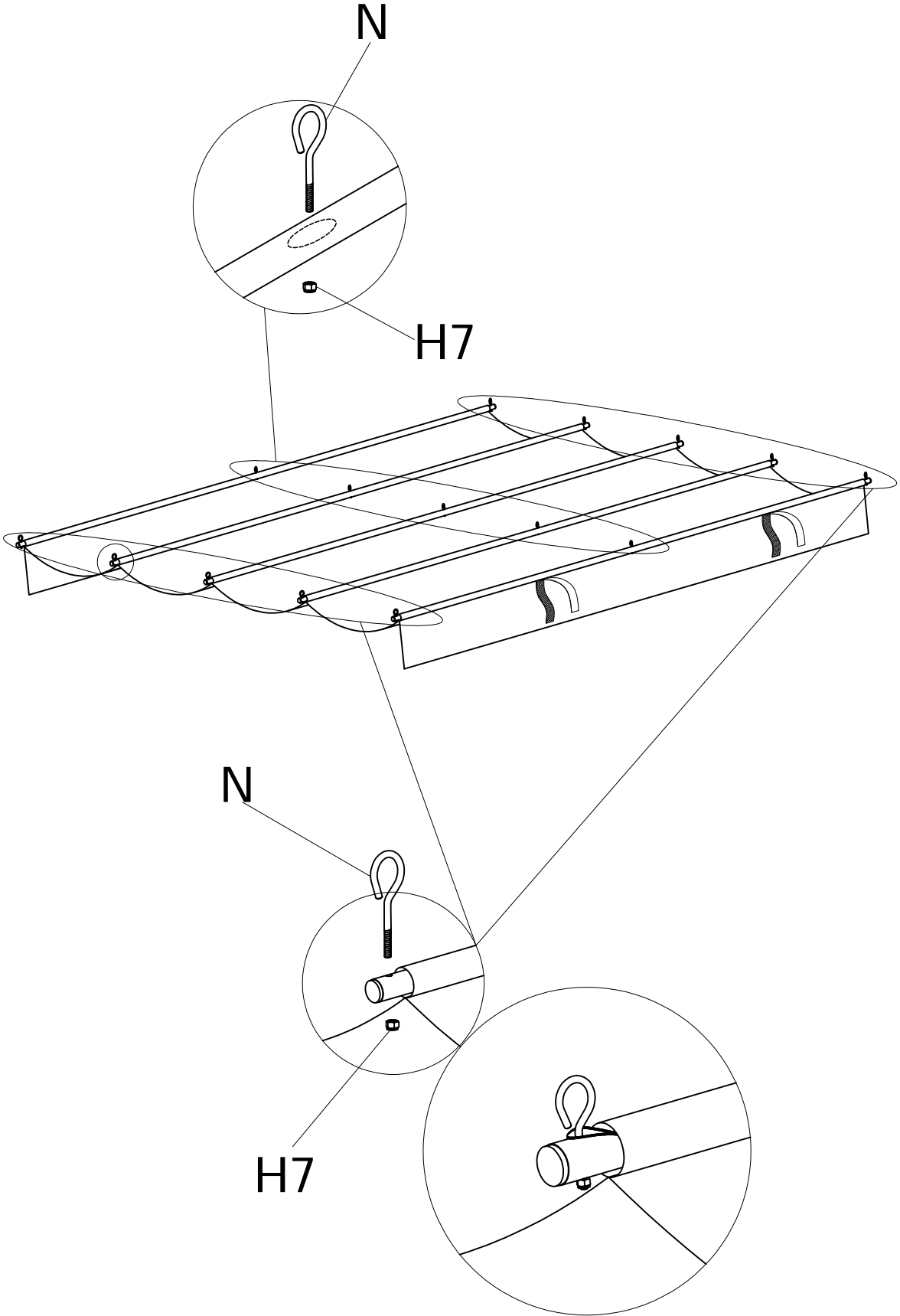


8

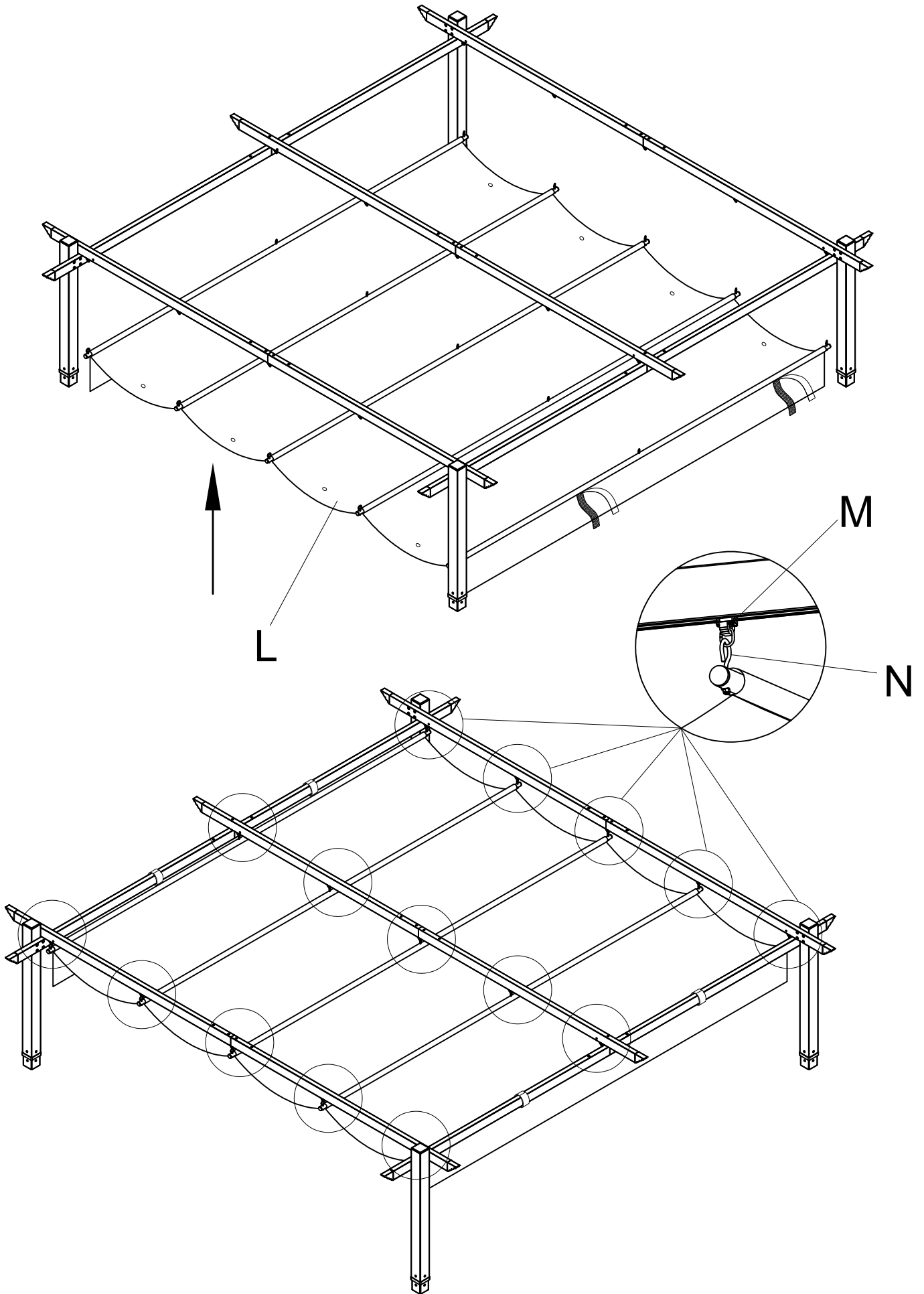
D2		5
D1		5
L		1



N			15
H7		M4	15



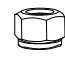


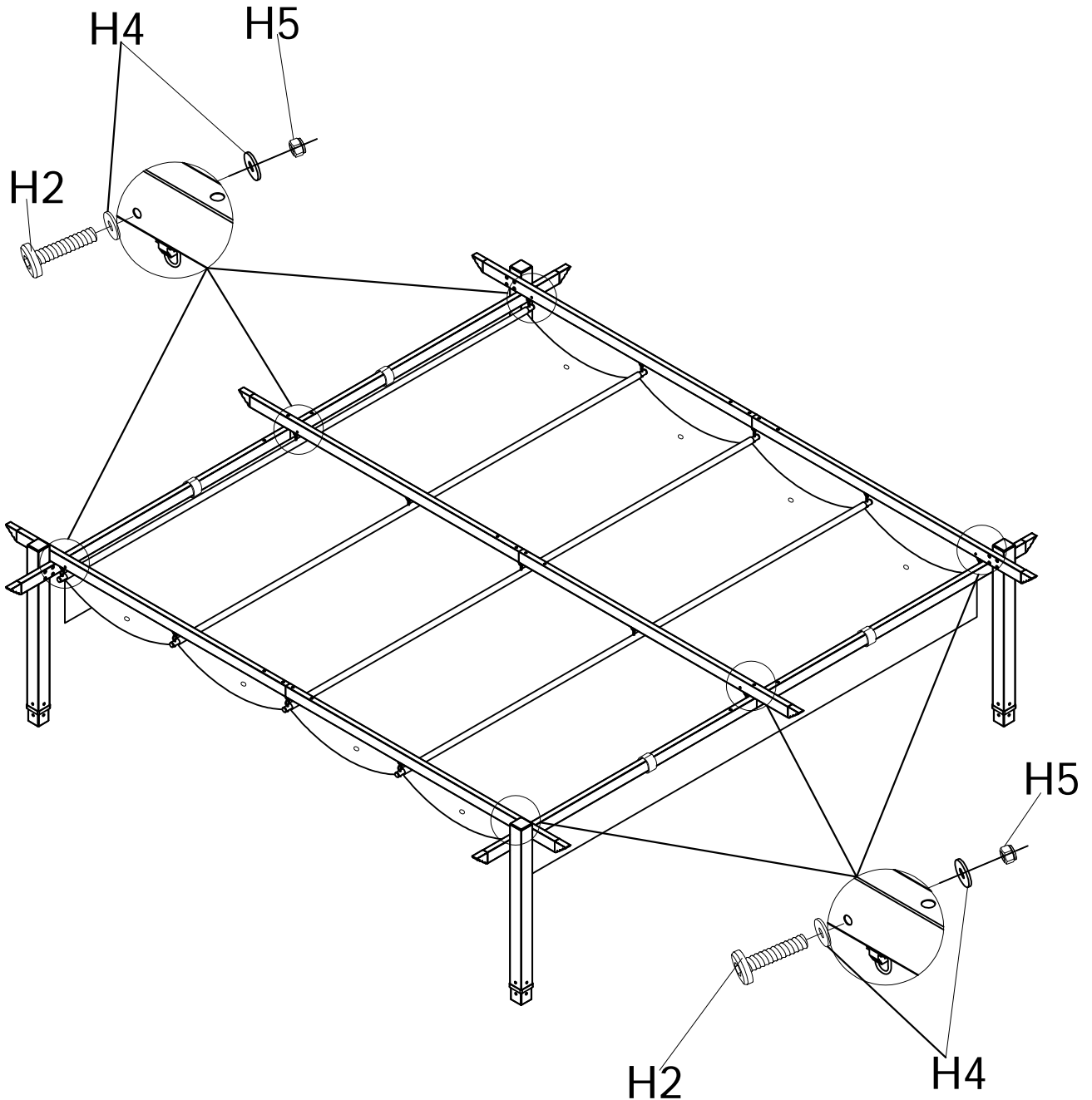
10



11

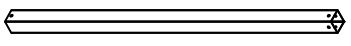

Note:
 To secure one side canopy: Tighten
 H4 screws at both ends to lock
 pulleys.
 For flexible adjustment of both
 canopies: Leave H4 screws at both
 ends loose.



H2		M6X35	6
H4		M6	12
H5		M6	6

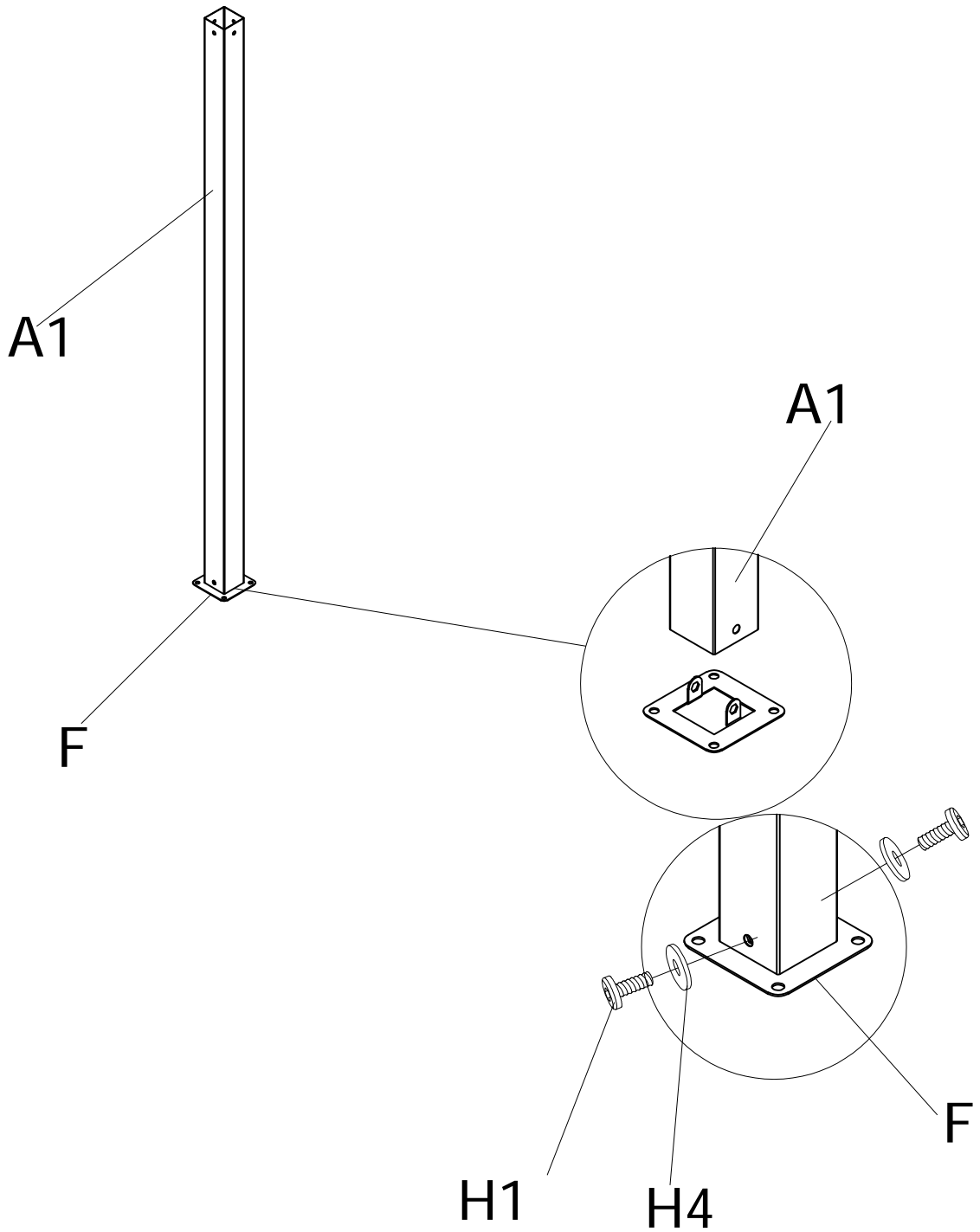


Note:
 To secure one side canopy: Tighten
 H4 screws at both ends to lock
 pulleys.
 For flexible adjustment of both
 canopies: Leave H4 screws at both
 ends loose.

12



A1		4
F		4

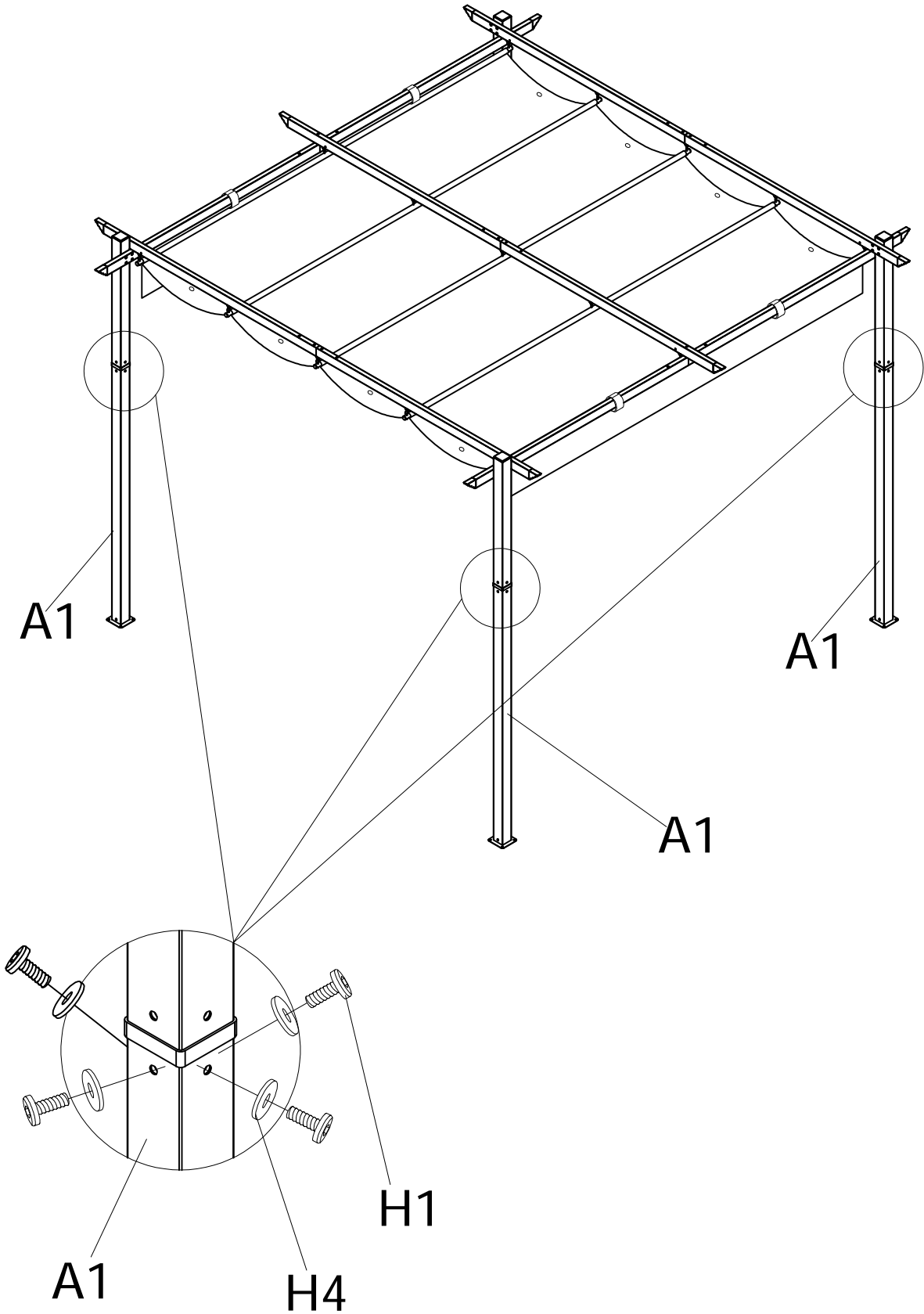
H1		M6X15	8
H4		M6	8



X4

13

H1		M6X15	16
H4		M6	16



HQ1		4X140	8
-----	---	-------	---

