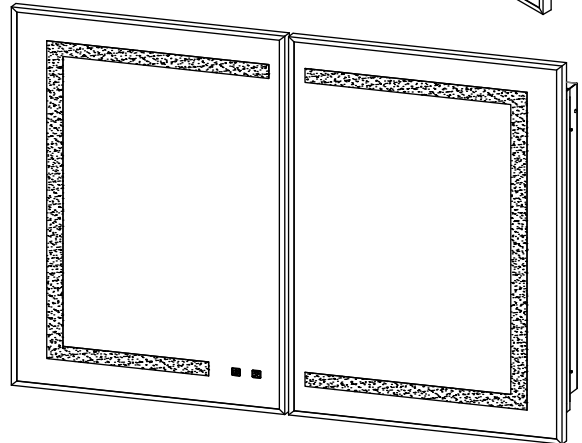
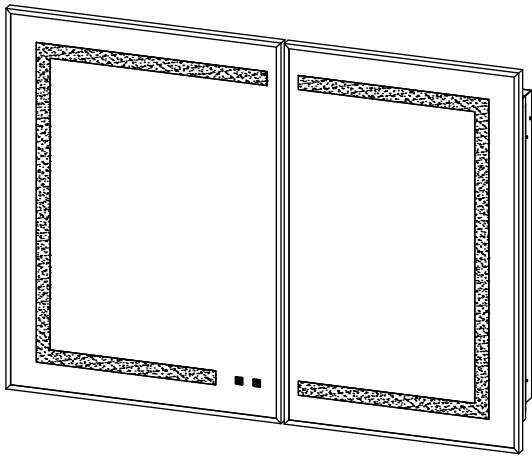
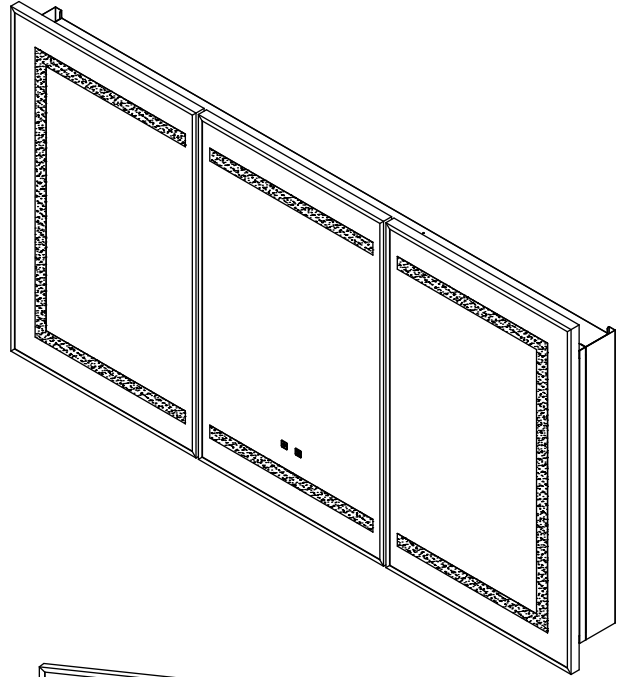
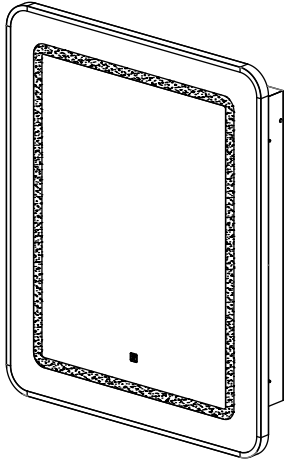

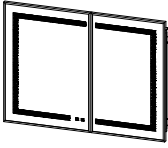
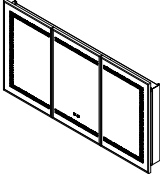



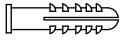






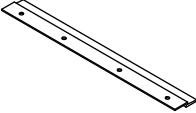
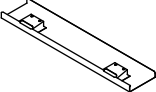
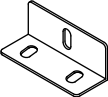


# MEDICINE CABINET

## Instruction Manual



# PACKING LIST

No.	Size	 16*24 20*30 24*30			 36*30 40*32		 48*32 60*32	
		①	 Fix installation hanging plate/ side backplate Screw M4 * 6	4 PCS			5 PCS	
②	 M4 Nut	4 PCS			5 PCS		6 PCS	
③	 Ø5*50MM Screw	5 PCS			6 PCS		7 PCS	
④	 Ø8*40MM Dowel	5 PCS			6 PCS		7 PCS	
⑤	 Black screw head plastic cap	4 PCS			5 PCS		6 PCS	
⑥	 Flat head cross screw M4*10	4 PCS			4 PCS		4 PCS	
⑦	 Wiring cap	3 PCS			3 PCS		3 PCS	
⑧	 EVA support pad	2 PCS			3 PCS		3 PCS	
⑨	 Wrench	1 PC			1 PC		1 PC	
⑩	 Cross screwdriver	1 PC			1 PC		1 PC	
⑪	 N hanger	2 PCS			2 PCS		2 PCS	
⑫	 Side backplate	2 PCS			2 PCS		2 PCS	
⑬	 Safety lock bracket	1 PC			1 PC		1 PC	

# BEFORE INSTALLATION

**Please read carefully and follow the instructions provided below before assembling and installing the product.**

## **1. Important Safety Instructions:**

- Assembly by two or more adults is highly recommended, so as to ensure proper installation.
- To connect the wires to the electrical junction box, a qualified technician or electrician is highly recommended.
- Disconnect power before installing, adding, or changing any components.
- Make sure that the fixing location can support the weight of the entire fixture (e.g. solid stone or brick walls).
- To prevent injury, the mirror must be installed as per the instruction provided.
- This product is only suitable for permanent installation, please do not plug in the power strip.
- DO NOT put hard and sharp materials directly against the mirror surface during operation, otherwise it may result in current leakage and even personal injury accident.
- Never forget to turn off the power supply in stormy days, otherwise electric components of the product could be damaged.
- DO NOT switch off the power supply directly during normal operation, otherwise electric elements of the product may be easily damaged.
- Please turn off the power supply if the product is not used for a long time.
- DO NOT remove protective film or corner protectors until the mirror is completely installed.
- PLEASE KEEP THIS MANUAL BOOK FOR FUTURE REFERENCE.

## **2. Pre-assembly:**

- Inspect the product immediately upon receipt for any transit damage or missing parts.
- The voltage for your product should be between 100V and 120V. If the voltage exceeds 120V, please use a transformer.
- You can connect the wires directly to your junction box or plug.

## **3. Before Installation**

- Please check and make sure that the mirror is functioning properly.

# OPERATION INSTRUCTION

## Single-door



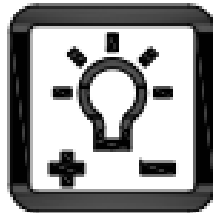
Lighting control key  
- click three times to cycle through three colors, the click again to turn off the light in the medicine cabinet.

1. Power on, enter the state of the last shutdown or power outage. (Power outage with memory)
2. Lighting control key
  - 2.1. Short press to change the color temperature: White → Warm → Warm white.
  - 2.2. Long press to change the brightness range: 5%--100%
3. Off screen function: Press and hold for 3 seconds while the lighting is turned off to turn off the backlight..

## Double-door / Triple-door



On/off key  
- One-click to turn on/off the light in the medicine cabinet.



Lighting control key

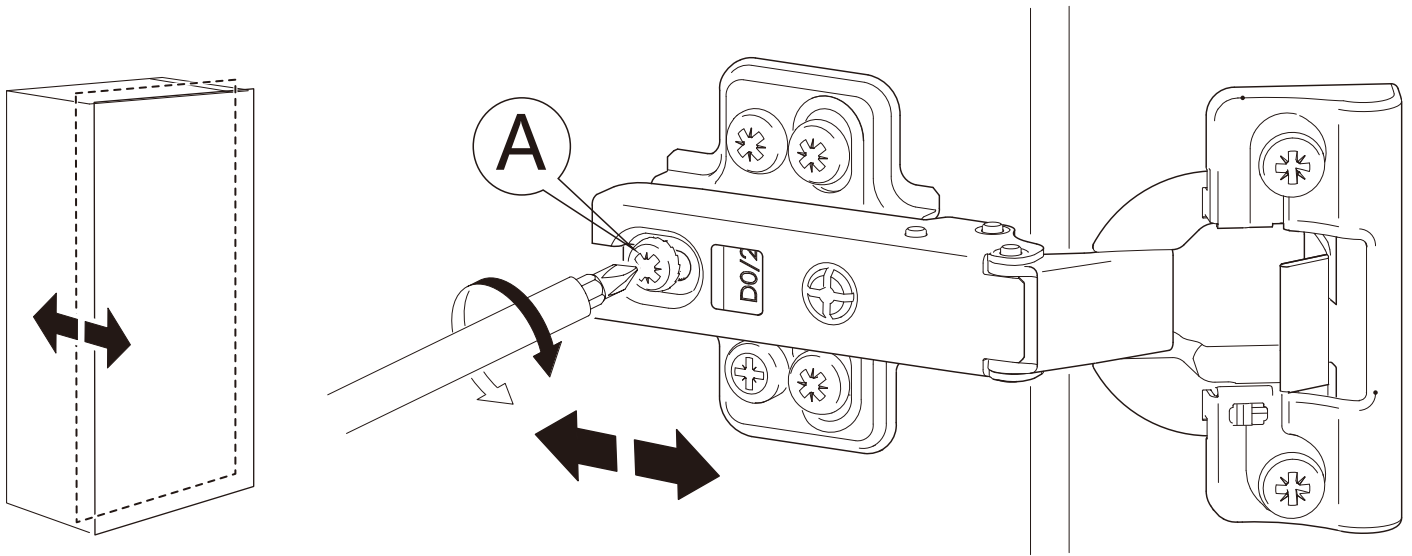
1. Power on, enter the state of the last shutdown or power outage. (Power outage with memory)
2. On/off key: Short press the switch lighting
3. Lighting control key
  - 3.1. Short press to change the color temperature: White → Warm → Warm white.
  - 3.2. Long press to change the brightness range: 5%--100%
4. Off screen function: Press and hold for 3 seconds while the lighting is turned off to turn off the backlight..

# SPECIFICATIONS

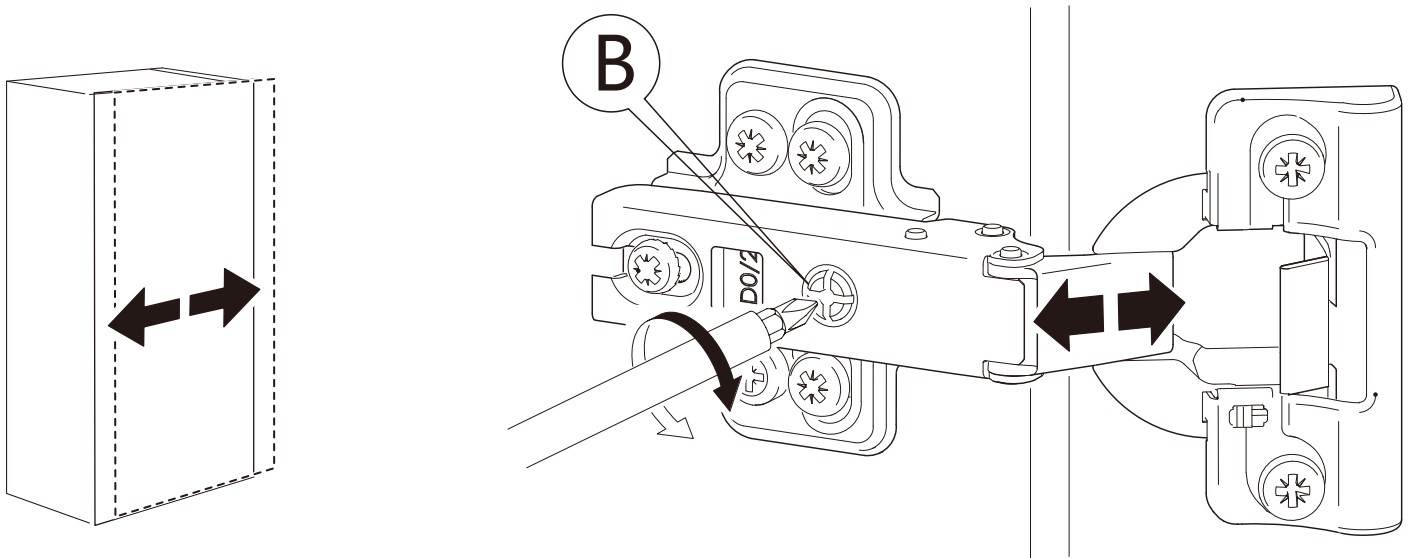
Size	Dimension	Types of Medicine Cabinet
16" * 24"	400 * 610*120mm	Single-door
20" * 30"	510 * 760*120mm	Single-door
24" * 30"	610 * 760*120mm	Single-door
36" * 30"	910 * 760*120mm	Asymmetrical-door
40" * 32"	1010 * 810*120mm	Double-door
48" * 32"	1210 * 810*120mm	Triple-door
60" * 32"	1520 * 810*120mm	Triple-door

PARAMETER	SPECIFICATION
Color Temperature	3000K-4500K-6500K
Input Voltage	AC100-120V
Output Voltage	12V DC
CRI	≥90 Ra
Working Temperature	-90~45℃
Life Span	25000 hours
Anti-fog	NO
IP Rate	IP44
Wiring Method	Hardwired
Switch	Touch Sensor Switch

# HOW TO ADJUST HYDRAULIC HINGES



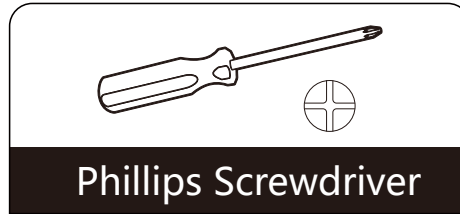
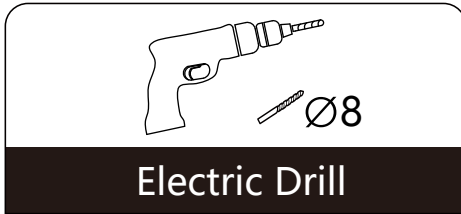
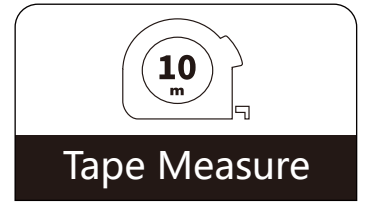
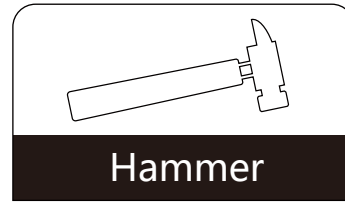
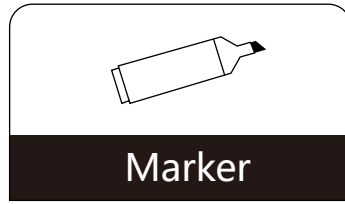
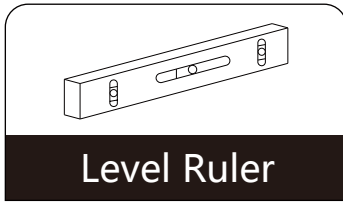
Rotate A clockwise or counterclockwise to adjust the gap between the door and the cabinet



Rotate B clockwise or counterclockwise to adjust the door to move left or right

# INSTALLATION

## Installation Tools

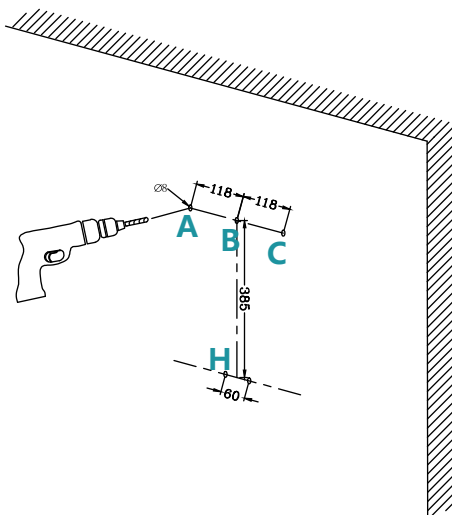


## INSTALLATION METHOD 1

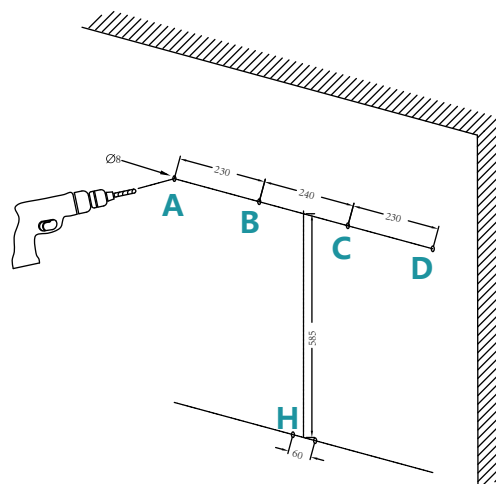
### Step 1

Please refer to the following drilling spacing diagram to drill  $\varnothing 8$  holes on the wall by using an impact driller. Or measure the distance between two holes on the aluminum strip.

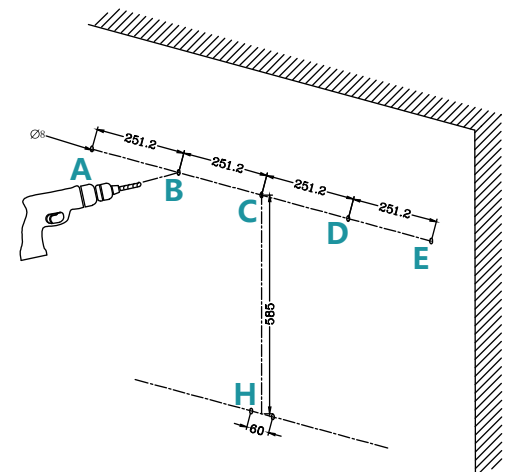
Single-door



Double-door



Triple-door




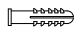



Required Tools
Electric drill

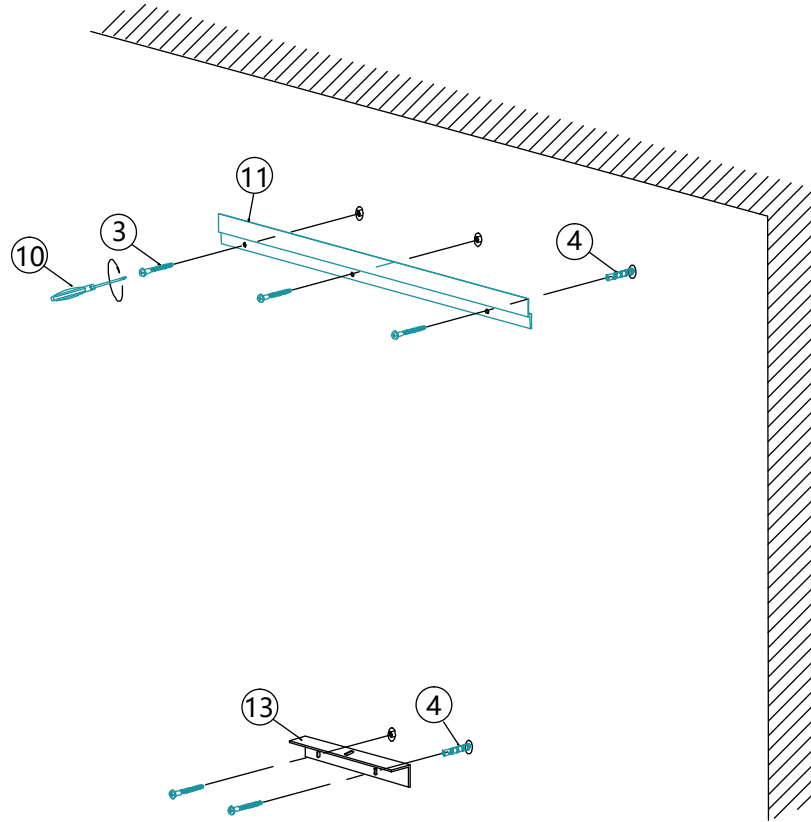
Distance:mm	16*24	20*30	24*30	36*30	40*32	48*32	60*32
<b>A→B</b>	118	165	220	230	266	251.2	327.5
<b>B→C</b>	118	165	220	240	270	251.2	327.5
<b>C→D</b>				230	266	251.2	327.5
<b>D→E</b>						251.2	327.5
<b>Interval H</b>	385	535	535	535	585	585	585

# INSTALLATION METHOD 1

## Step 2







Take out the dowels(4), and put them inside the five drilled holes,take out the screws(3), fix the N hanger(11) and safety lock bracket(13) on the wall by using cross screwdriver (10).

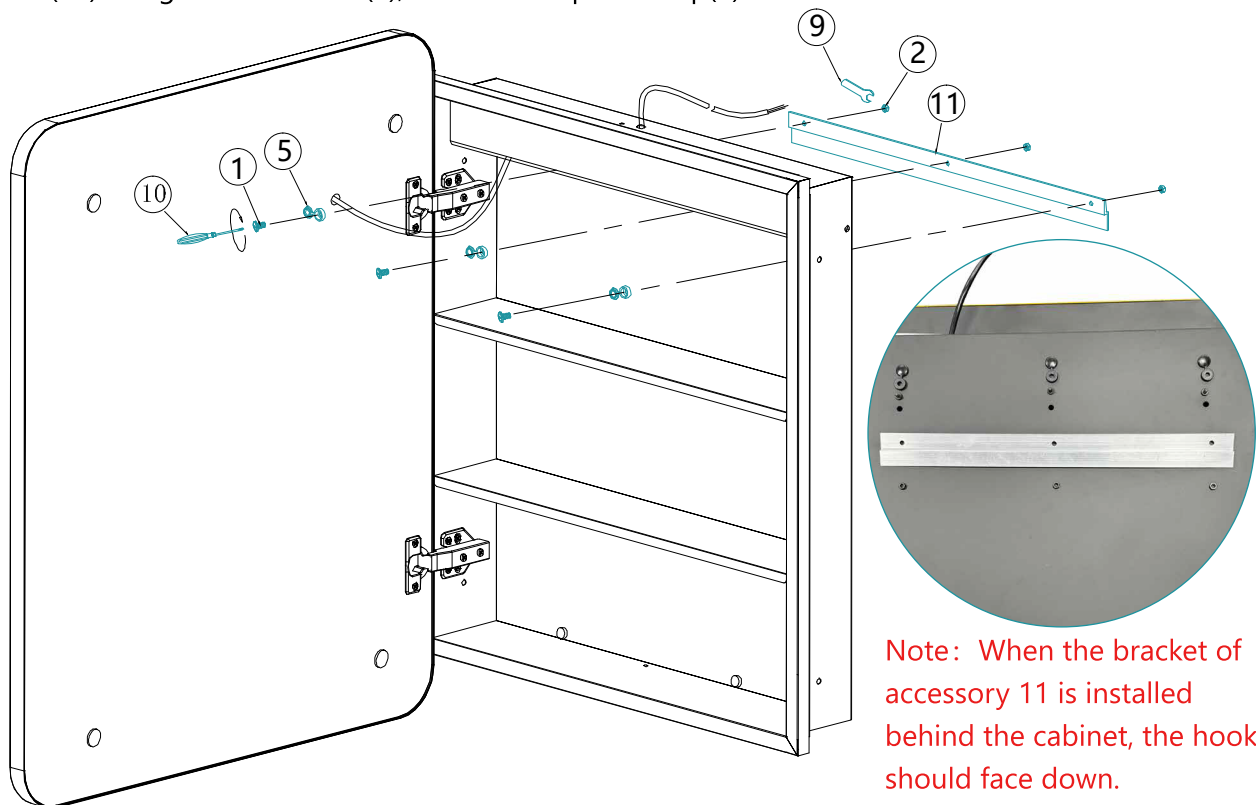
Required Tools	③		④	
	⑩		⑪	
	⑬			



## Step 3

Take out 3pcs screw(1),3pcs plastic cap(5),3pcs nut(2),put the screw(1) to go through plastic cap(5),cabinet, N hanger(11) and nut(2), hold the nut(2) by using wrench(9), and fix the N hanger(11) on the backside of cabinet by using cross screwdriver(10) to tighten the screw(1), and use the plastic cap(5) to cover the screw head.

Required Tools	①	
	②	
	⑤	
	⑨	
	⑩	
	⑪	

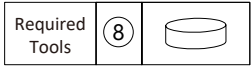


**Note:** When the bracket of accessory 11 is installed behind the cabinet, the hook should face down.

# INSTALLATION METHOD 1

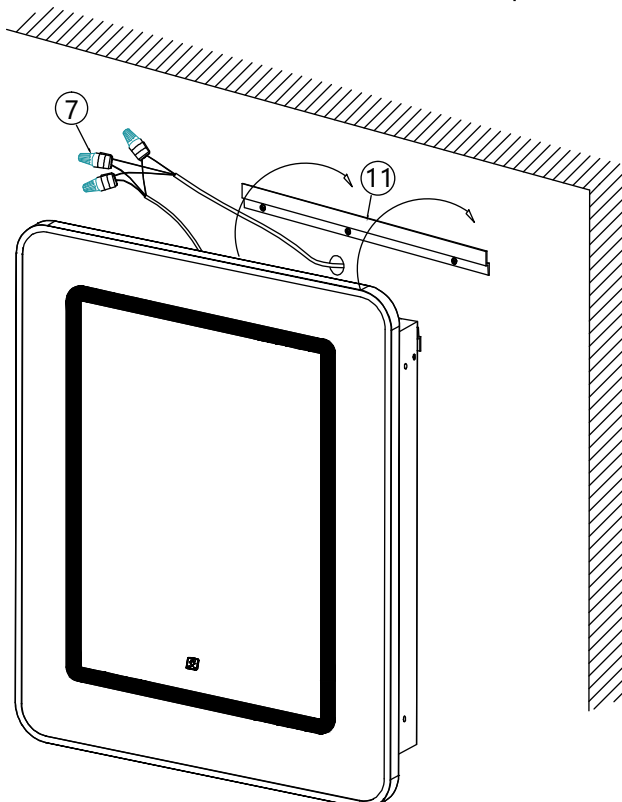
## Step 4

Put the EVA support pad(8) at the bottom edge of the backside cabinet.



## Step 5

Lift the mirror cabinet to a height higher than the N hanger, the back of the mirror cabinet should be tightly attached to the wall and slide down to N hanger. Before wiring, please turn off the household electricity, take out the wiring cap(7), tighten the three core wires to the household input three core wire, and wrap it with electrical tape.








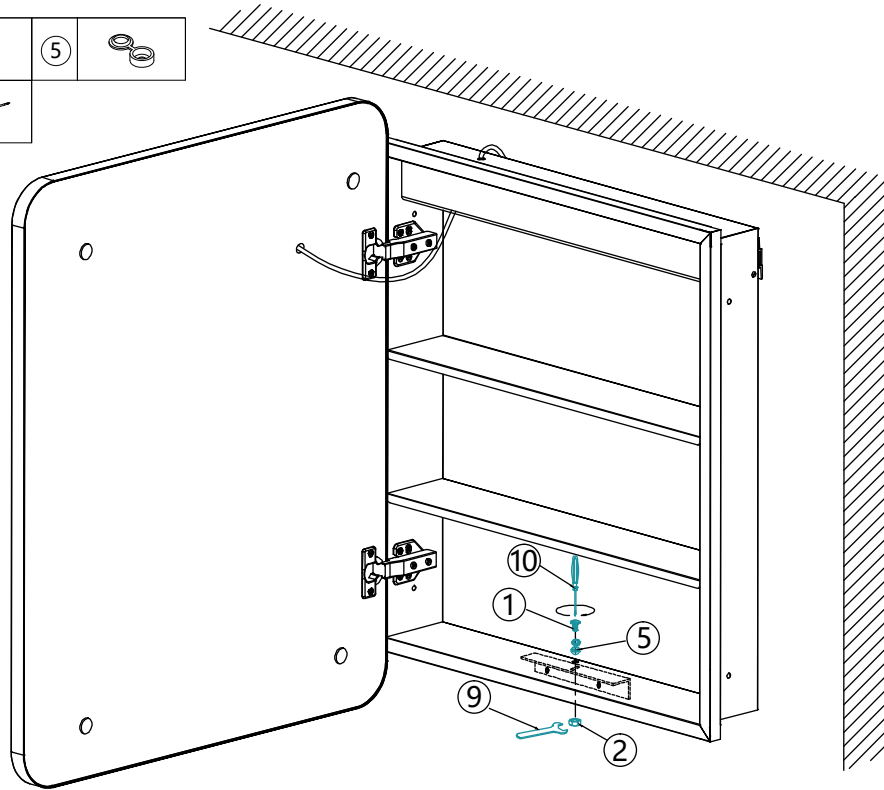
**Note:** This step requires professional electrician operation. The large-sized mirror cabinet is too heavy, please have 2-3 people install it.

# INSTALLATION METHOD 1

## Step 6




Take out 1pcs screw(1),1pcs plastic cap(5),1pcs nut(2),put the screw(1) to go through plastic cap(5),cabinet, safety lock bracket(13) and nut(2), hold the nut(2) by using wrench(9), fix the cabinet on the safety lock bracket(13) by using cross screwdriver(10) to tighten the screw(1),and use the plastic cap(5) to cover the screw head.

Required Tools	①		②		⑤	
	⑨		⑩			

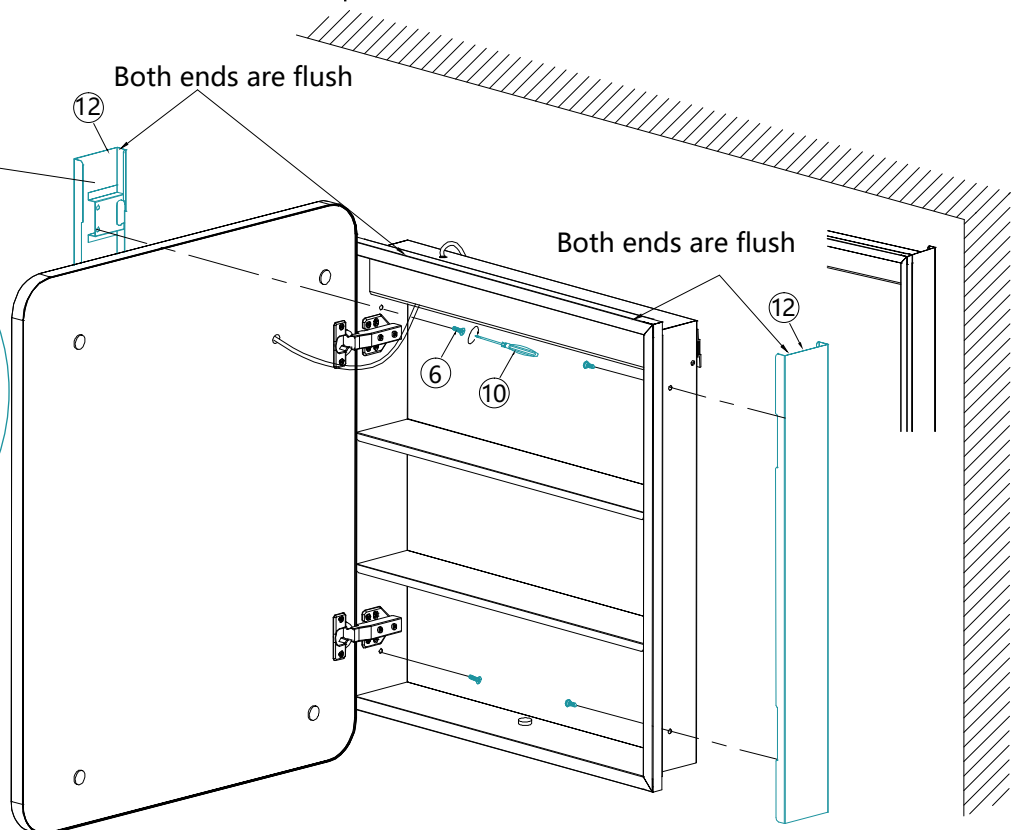


## Step 7

Take out the sideback plate(12), screws(6), Align the sideback plate(12) with the top end face of the cabinet,tighten the screws(6) by using cross screwdriver (10) to fix the sideback plate(12) on to cabinet.

Required Tools	⑥		⑫	
	⑩			

NO.12 side backplate distinguishes front and back: forward

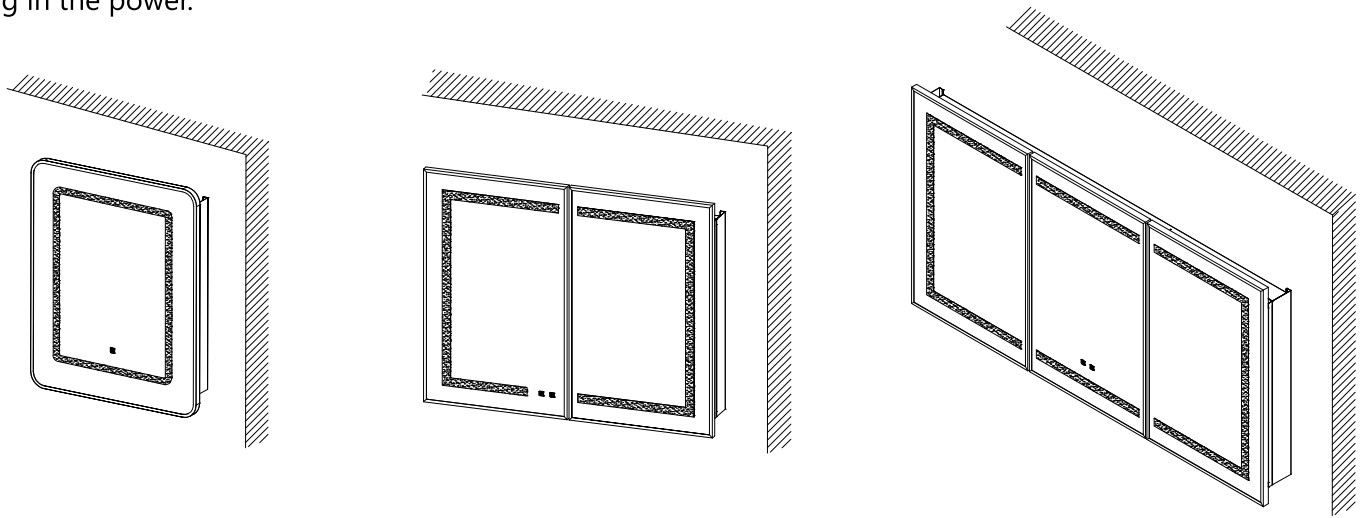


Accessories (12) Function:  
For the left and right sides of the medicine cabinet more smooth and beautiful.

# INSTALLATION METHOD 1

## Step 8

Plug in the power.



# INSTALLATION METHOD 2

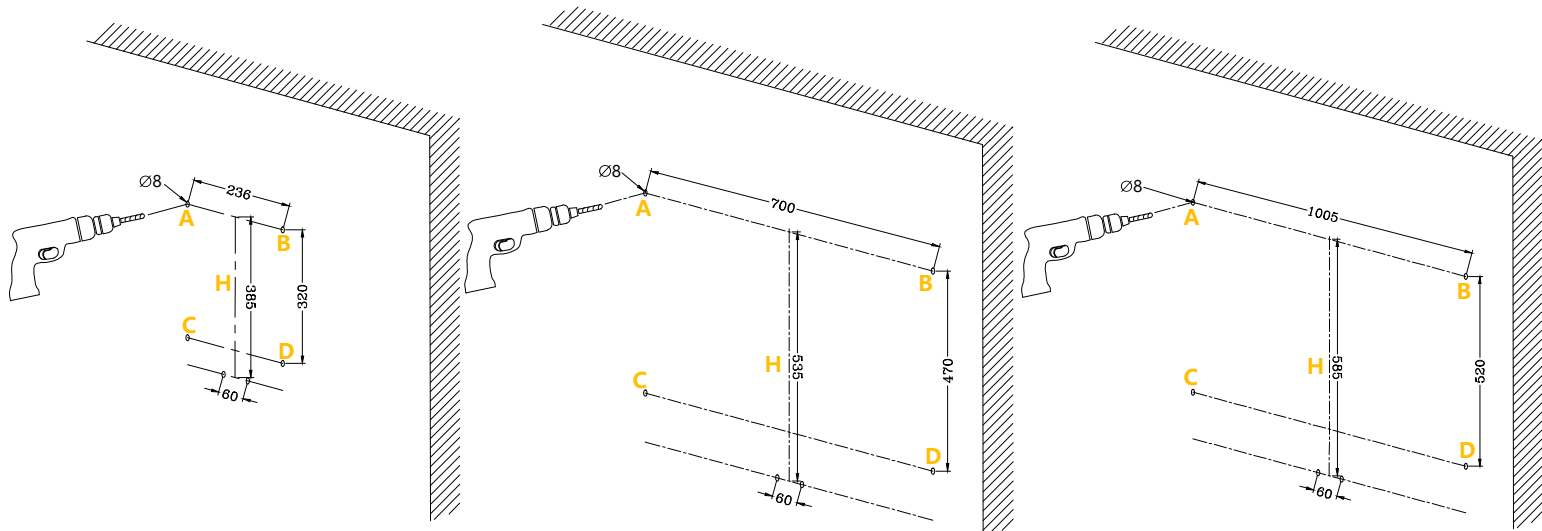
## Step 1

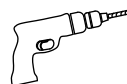
Please refer to the following drilling spacing diagram to drill 6pcs  $\varnothing 8$  holes on the wall by using an impact driller.

Single-door

Double-door

Triple-door


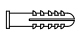

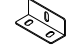


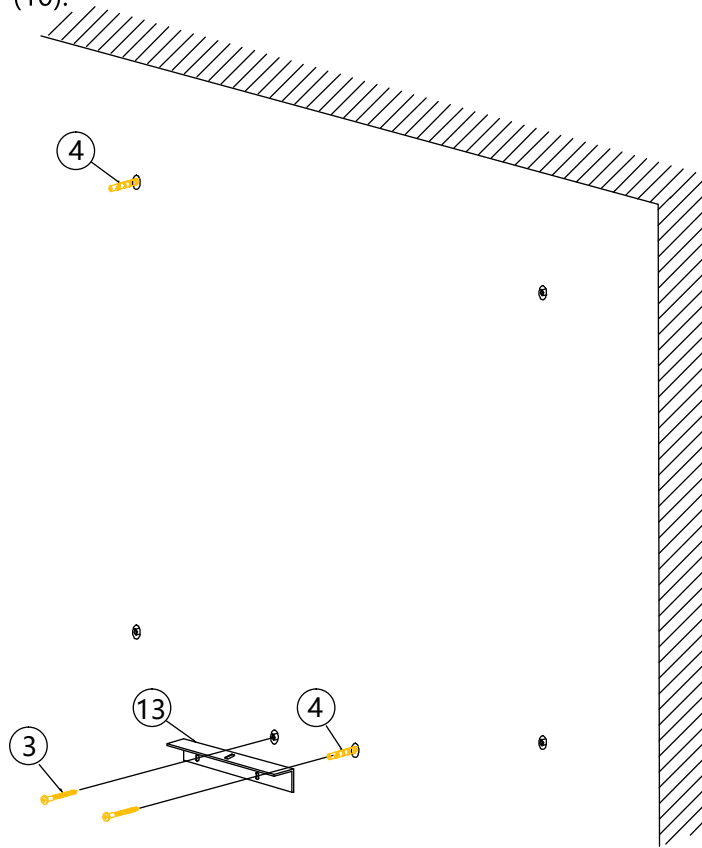
Required Tools	Distance:mm	16*24	20*30	24*30	36*30	40*32	48*32	60*32
	A→B=C→D	236	330	440	700	802	1005	1310
	A→C=B→D	320	470	470	470	520	520	520
Electric drill	Interval H	385	535	535	535	585	585	585

# INSTALLATION METHOD 2

## Step 2




Take out the dowels(4), and put them inside the six drilled holes,take out the screws(3), fix the safty lock bracket(13) on the wall by using cross screwdriver (10).

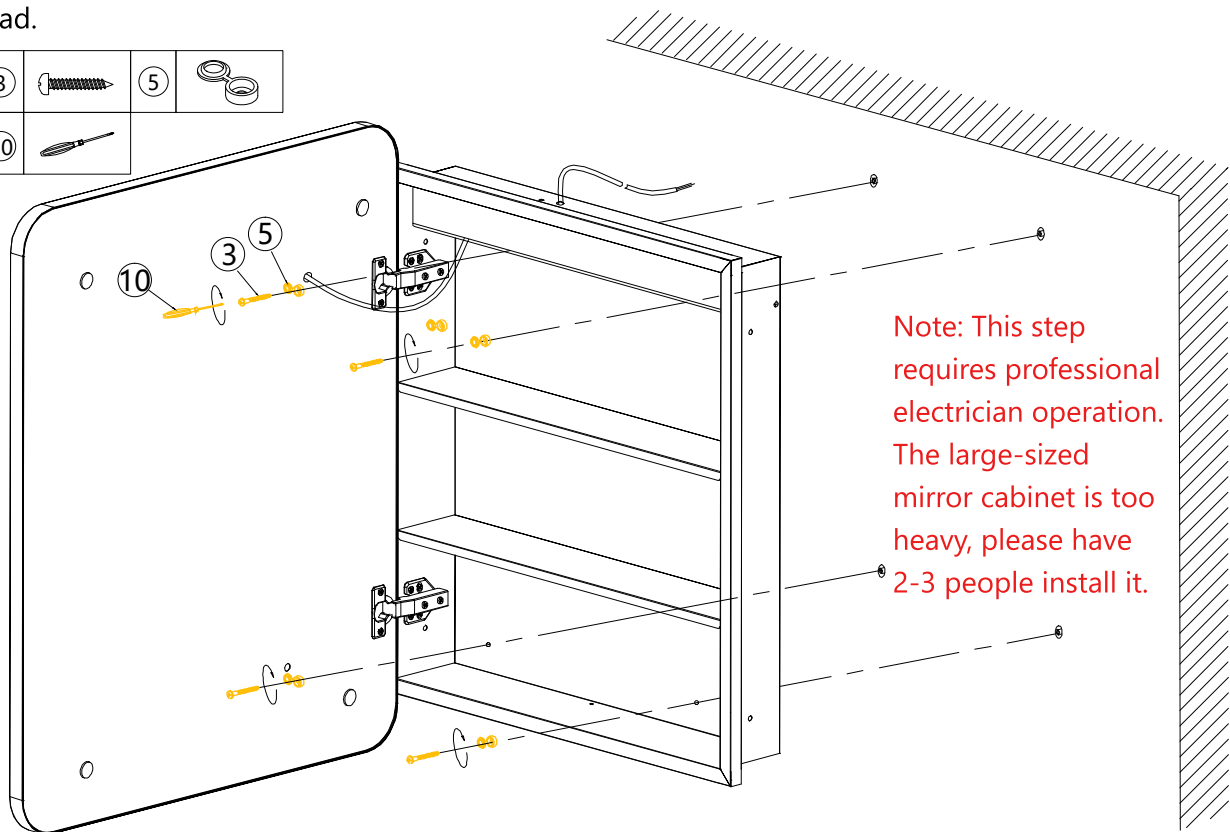
Required Tools	③		④	
	⑩		⑬	



## Step 3

Take out the 4pcs screws(3) and 4pcs plastic cap(5),put the screw(1) to go through plastic cap(5),cabinet, fix the cabinet on the wall by using crossdriver(10) to tighten the screw(3), and use the plastic cap(5) to cover the screw head.

Required Tools	③		⑤	
	⑩			








Note: This step requires professional electrician operation. The large-sized mirror cabinet is too heavy, please have 2-3 people install it.

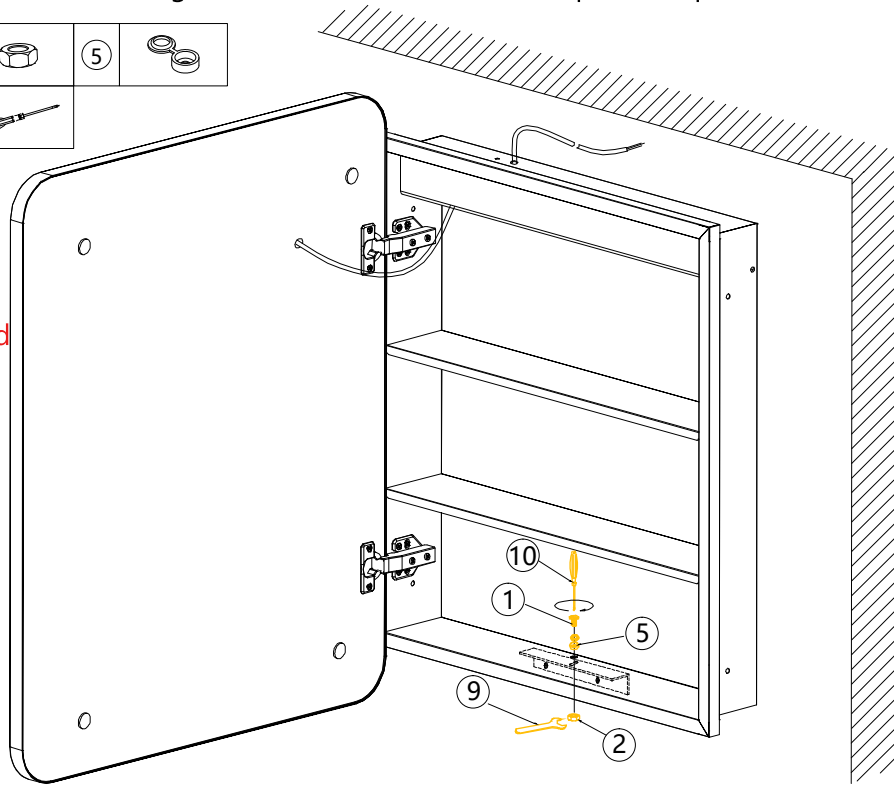
# INSTALLATION METHOD 2

## Step 4

Take out 1pcs screw(1),1pcs plastic cap(5),1pcs nut(2),put the screw(1) to go through plastic cap(5),cabinet, safety lock bracket(13) and nut(2), hold the nut(2) by using wrench(9), fix the cabinet on the safety lock bracket (13)by using cross screwdriver(10) to tighten the screw(1),and use the plastic cap(5) to cover the screw head.

Required Tools	①		②		⑤	
	⑨		⑩			

Note: This step requires professional electrician operation. The large-sized mirror cabinet is too heavy, please have 2-3 people install it.

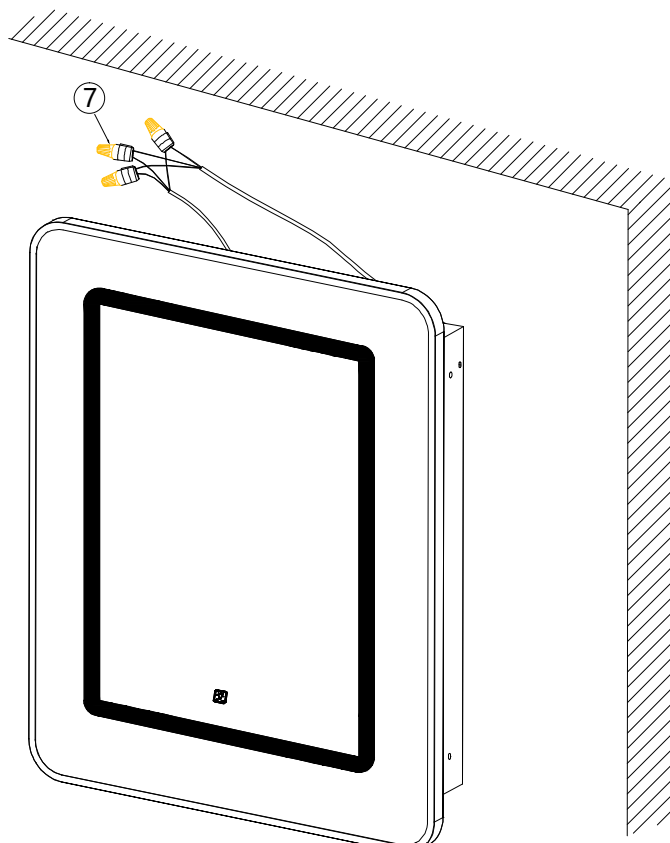


## Step 5

Before wiring, please turn off the household electricity, take out the wiring cap(7), tighten the three core wire to the household input three core wire, and wrap it with electrical tape

Required Tools	⑦	
----------------	---	---



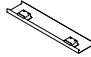
Note: This step requires professional electrician operation. The large-sized mirror cabinet is too heavy, please have 2-3 people install it.

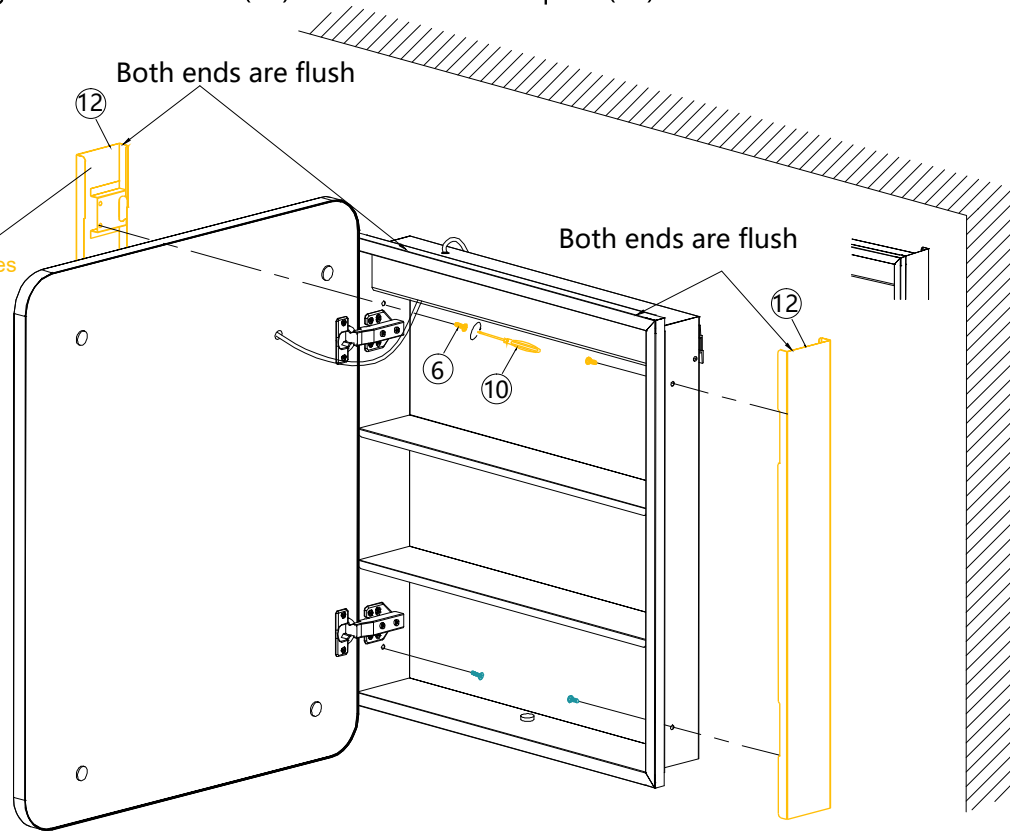


# INSTALLATION METHOD 2

## Step 6

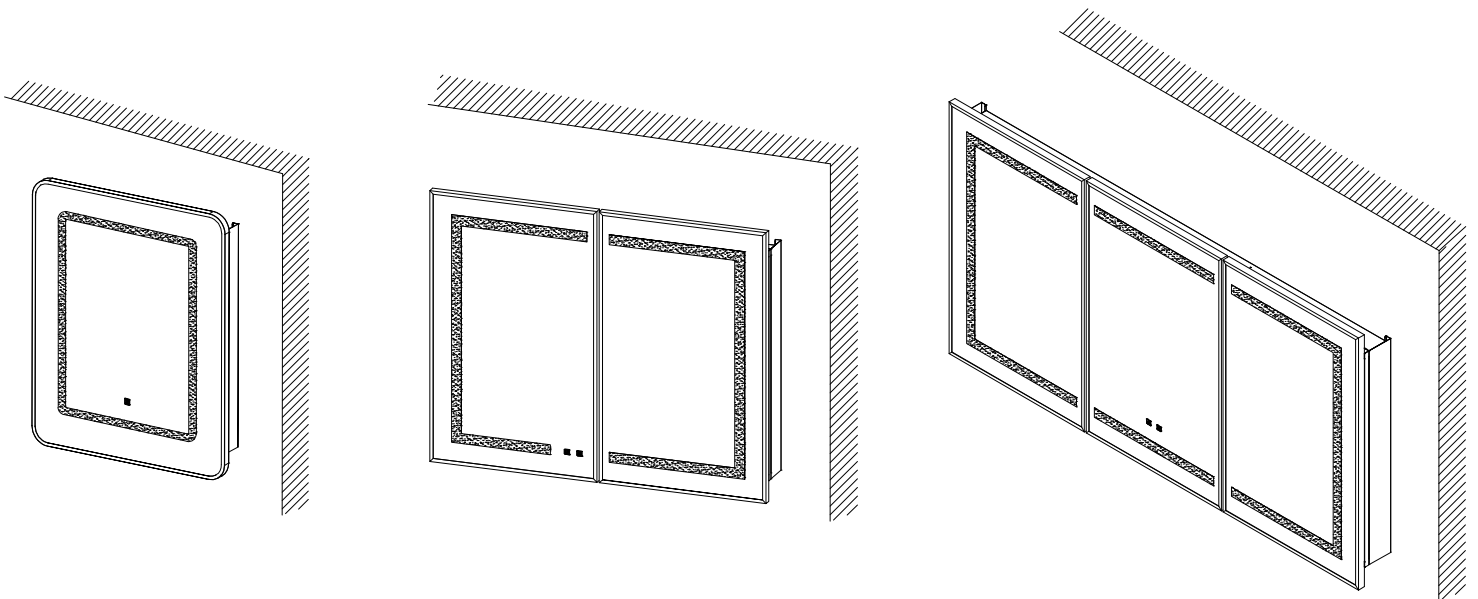
Take out the sideback plate(12), screws(6), Align the sideback plate(12) with the top end face of the cabinet,tighten the crews(6) by using cross screwdriver (10) to fix the sideback plate(12) on to cabinet.

Required Tools	⑥	
	⑩	
	⑫	



## Step 7

Plug in the power.

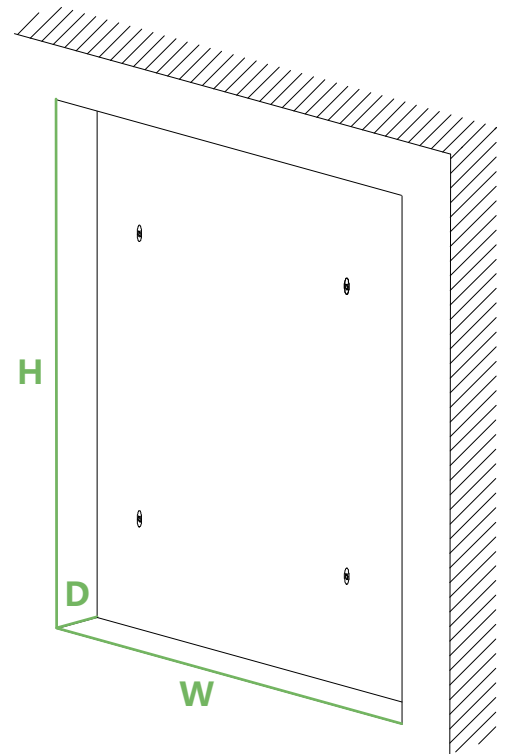


# INSTALLATION METHOD 3

## Step 1

If you choose embedded installation, you need to reserve sufficient inner space dimensions of wall, please refer to the following figure for the data.

Distance Size	W (mm)	D (mm)	H (mm)
16" * 24"	364	90	478
20" * 30"	458	90	628
24" * 30"	568	90	628
36" * 30"	902	90	628
40" * 32"	1004	90	678
48" * 32"	1207	90	678
60" * 32"	1512	90	678

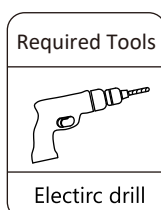
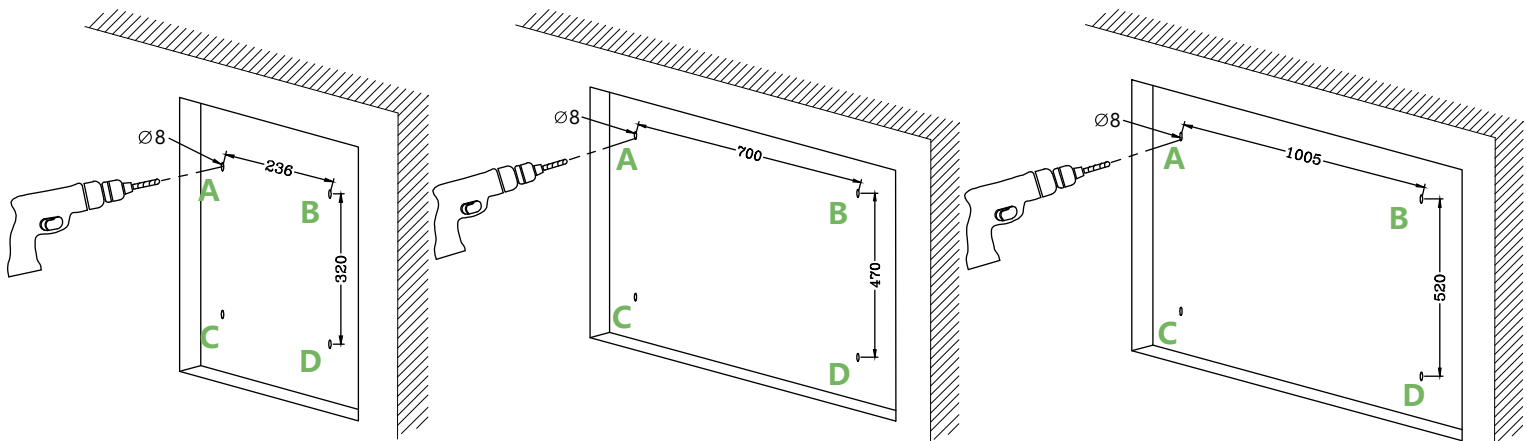


Please refer to the following drilling spacing diagram to drill 4pcs  $\varnothing 8$  holes on the wall by using an impact driller.

Single-door

Double-door

Triple-door

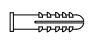



Distance:mm	16*24	20*30	24*30	36*30	40*32	48*32	60*32
A→B=C→D	236	330	440	700	802	1005	1310
A→C=B→D	320	470	470	470	520	520	520

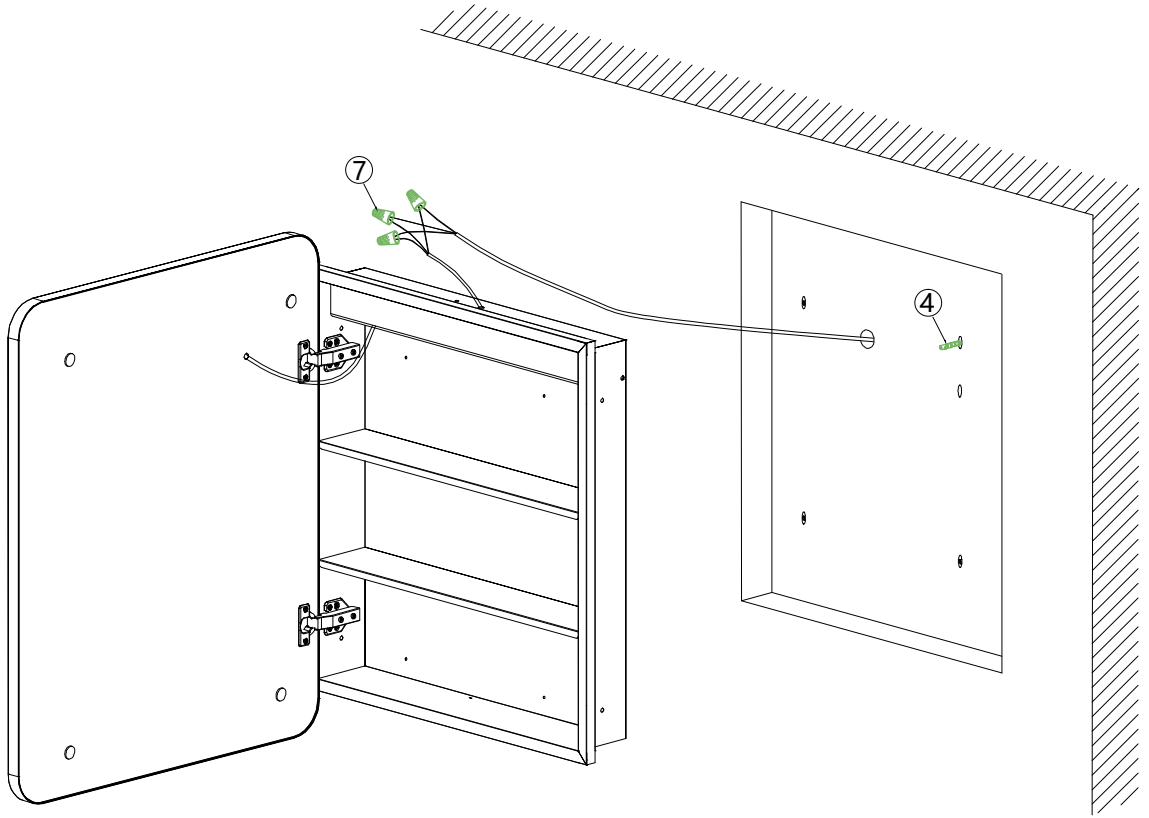
# INSTALLATION METHOD 3

## Step 2

Before wiring, please turn off the household electricity, take out the dowel(4), put them inside the drilled holes, take out the wiring cap(7), tighten the three core wire to the household input three core wire, and wrap it with electrical tape.



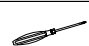
Required Tools	④	
	⑦	

Note: This step requires professional electrician operation. The large-sized mirror cabinet is too heavy, please have 2-3 people install it.

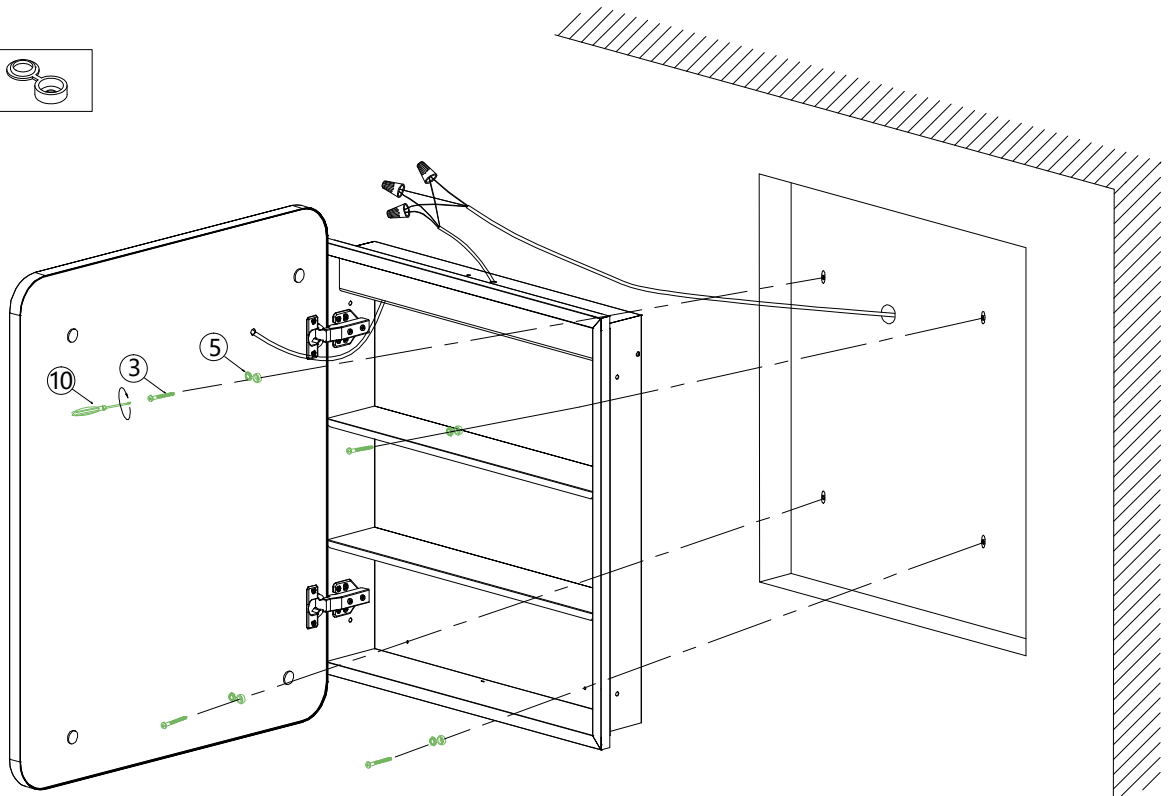


## Step 3

Insert the mirror cabinet into the wall, take out the screw(3) and plastic cap(5), put the screw(3) to go through plastic cap(5) and cabinet, fix the cabinet on the wall by using crossdriver(10) to tighten screw(3), and use plastic cap(5) to cover the screw head.

Required Tools	③		⑤	
	⑩			

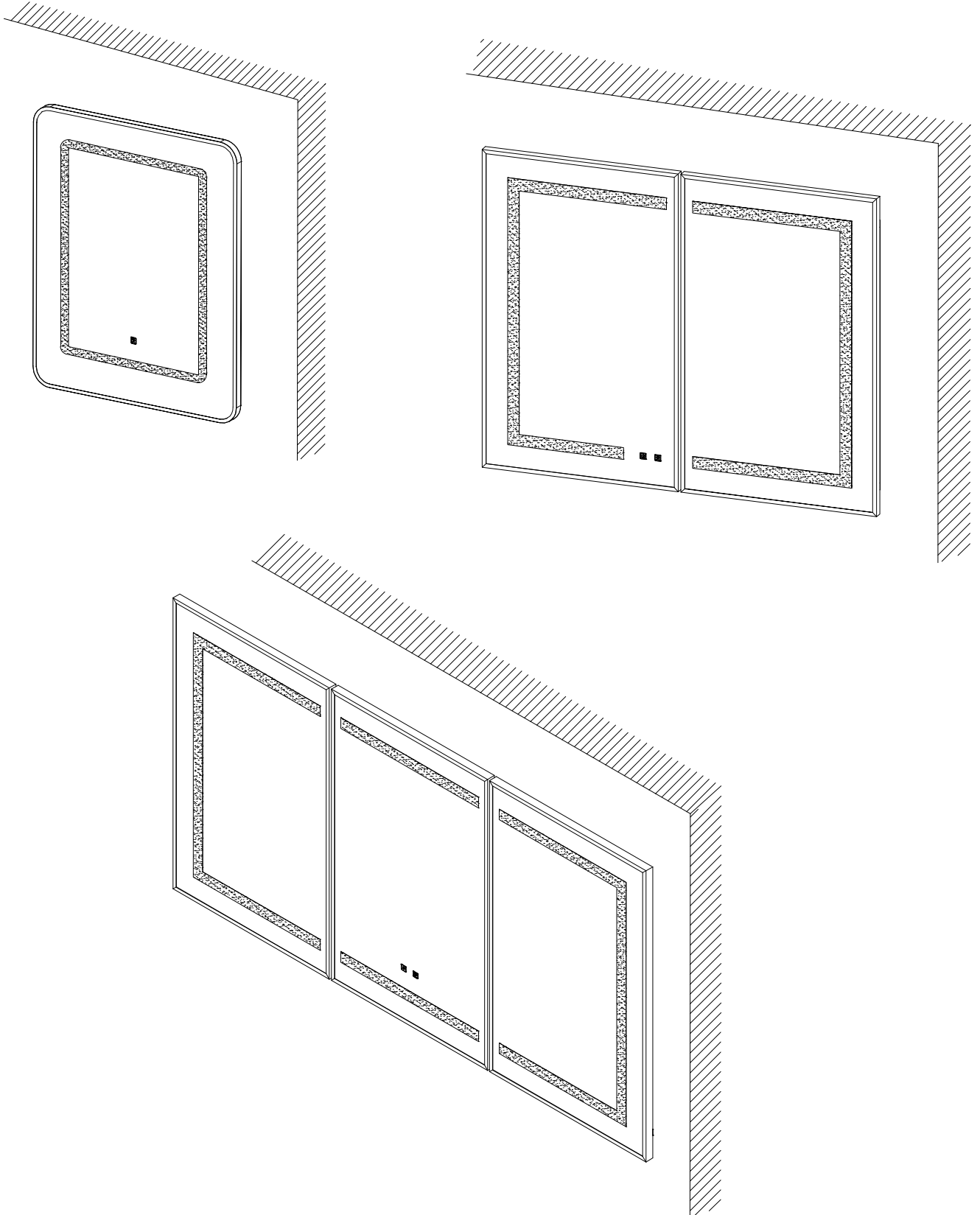
Note: This step requires professional electrician operation. The large-sized mirror cabinet is too heavy, please have 2-3 people install it.



# INSTALLATION METHOD 3

## Step 4

Plug in the power.



# AFTER-SALES SERVICE CARD

We sincerely thank you for trusting our service and our products, and may this product add enrichment to your home. We guarantee that the product has undergone strict quality inspection and meticulous packaging. If you encounter any issue regarding either shipping or the product, please feel free to contact us at any time. We'd be more than happy to serve you wholeheartedly.

Yours Sincerely

- Please clean with a damp cloth and wipe dry.
- Please avoid harsh, corrosive and abrasive cleaners.
- Keep dry and avoid damp environments.

---

If you have any questions or concerns, please feel free to contact us. We're committed to providing our customers with the quality service.